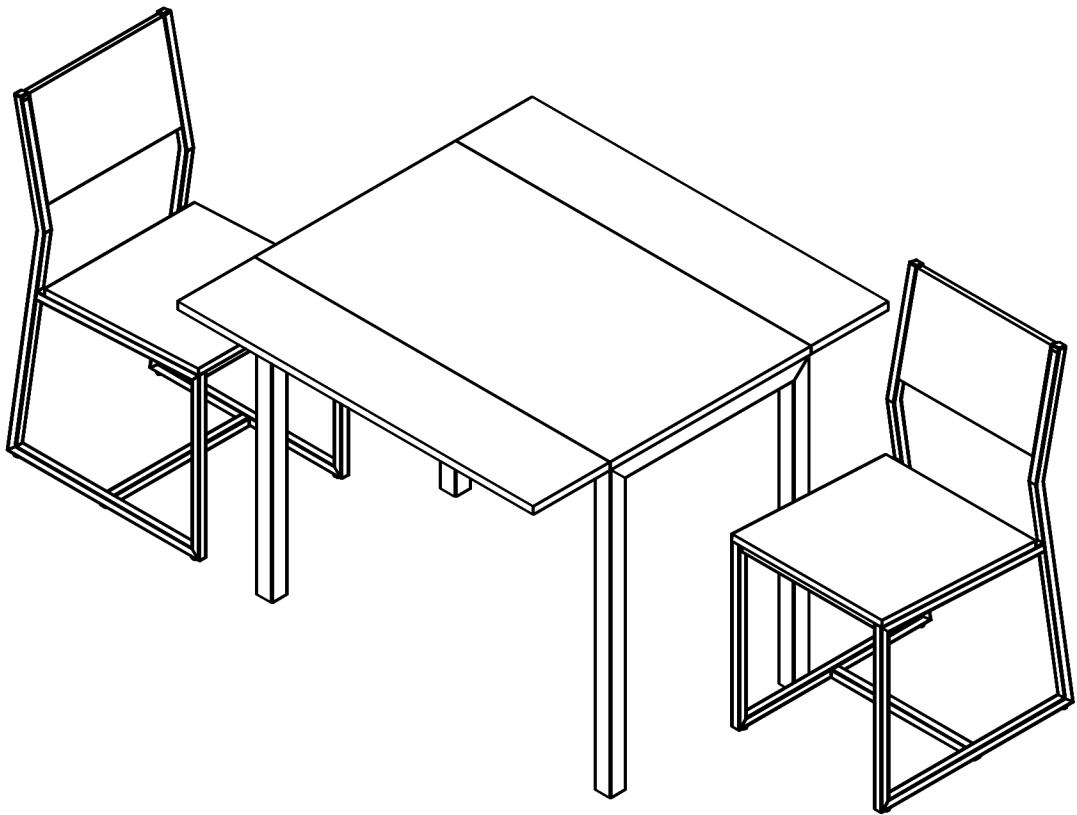


# Assembly Instructions

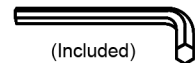


## ASSEMBLY RATING

The Assembly Rating is a 5-point system that shows the degree of effort needed in assembling a specific product (with 1 being easy and 5 being difficult). For some products, two persons are recommended.

## Tools Required For Assembly:

Allen Wrench



(Included)

EASY



DIFFICULT

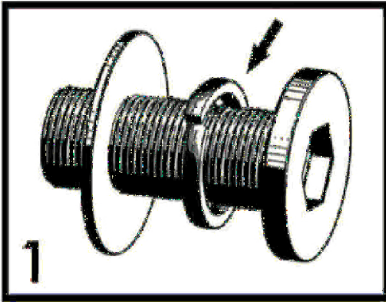


2 PERSONS RECOMMENDED

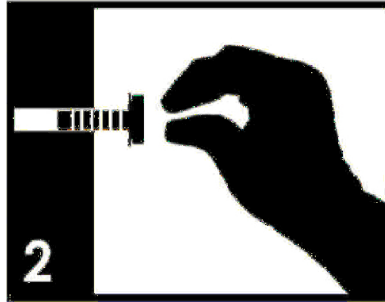
# ASSEMBLY & CARE ADVICE

FOR YOUR FURNITURE TO LAST, CORRECT ASSEMBLY AND PROPER MAINTENANCE ARE NECESSARY. PLEASE FOLLOW THE INFORMATION PROVIDED BELOW TO FULLY ENJOY YOUR FURNITURE.

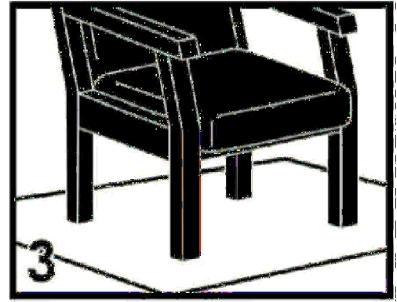
## BASIC ASSEMBLY TECHNIQUES



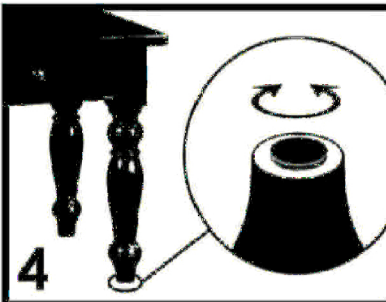
1  
When lock or spring washer is used in an assembly, please make sure the lock or spring washer is placed between the larger flat washer and the head of the screw or bolt.



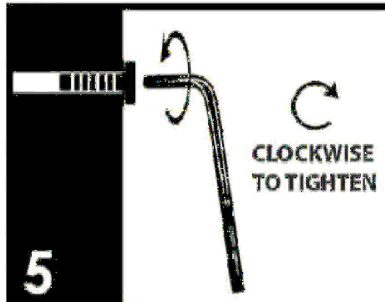
2  
Position each part correctly and insert screws or bolts into their respective holes by hand tighten or using the proper hand tool. Only tighten when step is completed or when instructed to do so.



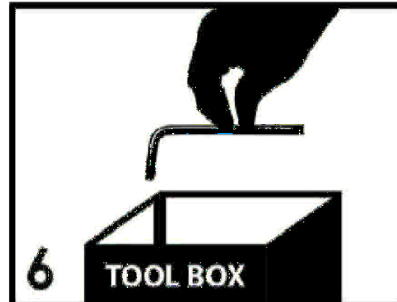
3  
Use cardboard or carpet area when assembling furniture to prevent scratches. Make sure the furniture rests on a flat and level surface with each leg evenly touching the floor. No dragging of products/parts.



4  
Some furniture comes with height adjustment knobs underneath each leg. To lower or to raise each leg, you need to turn clockwise or counterclockwise, respectively.



5  
Make sure all parts are properly aligned, then use the appropriate hand tool to completely tighten the bolts or screws. Do not use power tools and do not overtighten.

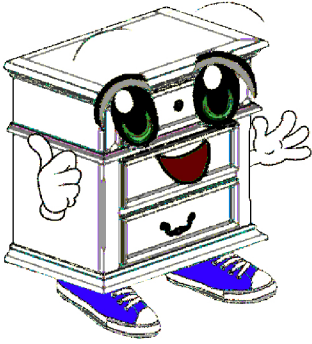


6  
Save the instructions and store the Allen wrench or any supplied tool for later maintenance. After two weeks, check and tighten any loose hardware and repeat again every six months thereafter.

IT IS THE USER'S RESPONSIBILITY TO MAINTAIN THE FURNITURE. THE HARDWARE MAY LOOSEN OVER TIME AND MAY CAUSE THE FURNITURE TO BE WOBBLY AND UNABLE TO SUPPORT ITS INTENDED WEIGHT CAPACITY. THIS MAY LEAD TO COLLAPSE AND MAY CAUSE SERIOUS INJURY.



**FAILURE TO FOLLOW THE GUIDELINES ABOVE MAY RESULT IN INJURY AND/OR PROPERTY DAMAGE.**

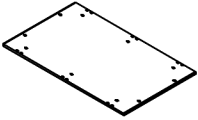
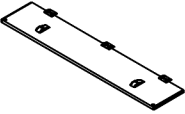
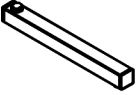
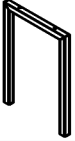
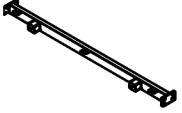







Before you begin, please read Page 2 of "Assembly and Care Advice".

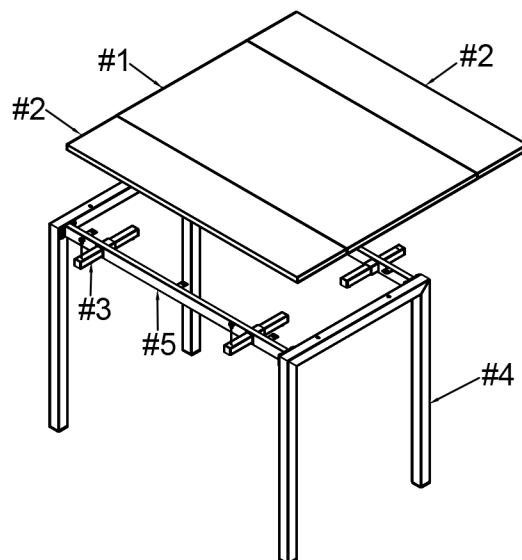
And remember, do not tighten until each step is completed or instructed.

### Parts List

### Hardware List

-  #1 x 1pc  
Top Panel
-  #2 x 2pcs  
Leaf Panel
-  #3 x 4pcs  
Supporting Bars
-  #4 x 2pcs  
Metal Legs
-  #5 x 2pcs  
Long Metal Rails

-  #A x 22pcs  
Bolts  $\text{Ø}1/4$ "x $1/2$ "
-  #B x 4pcs  
Bolts  $\text{Ø}1/4$ "x2"
-  #C x 12pcs  
Bolts  $\text{Ø}5/32$ "x $1/2$ "
-  #D x 4pcs  
Levelers
-  #E x 1pc  
Allen Wrench M4

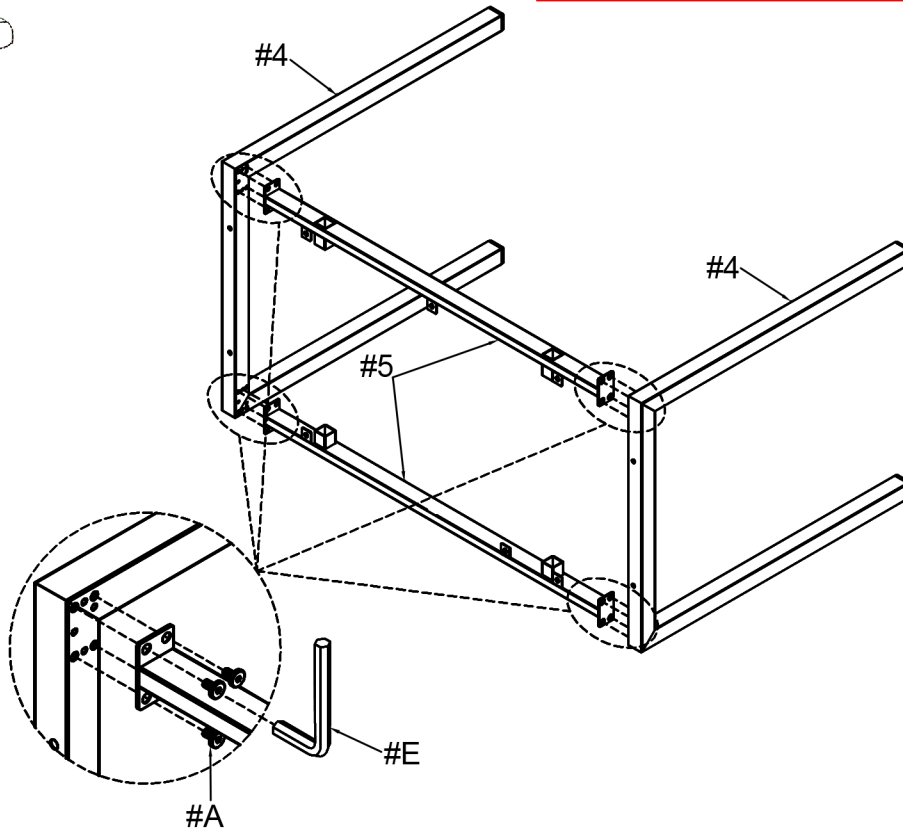




#1

Align metal rails (#5) to the metal legs (#4), then secure by using bolts (#A).

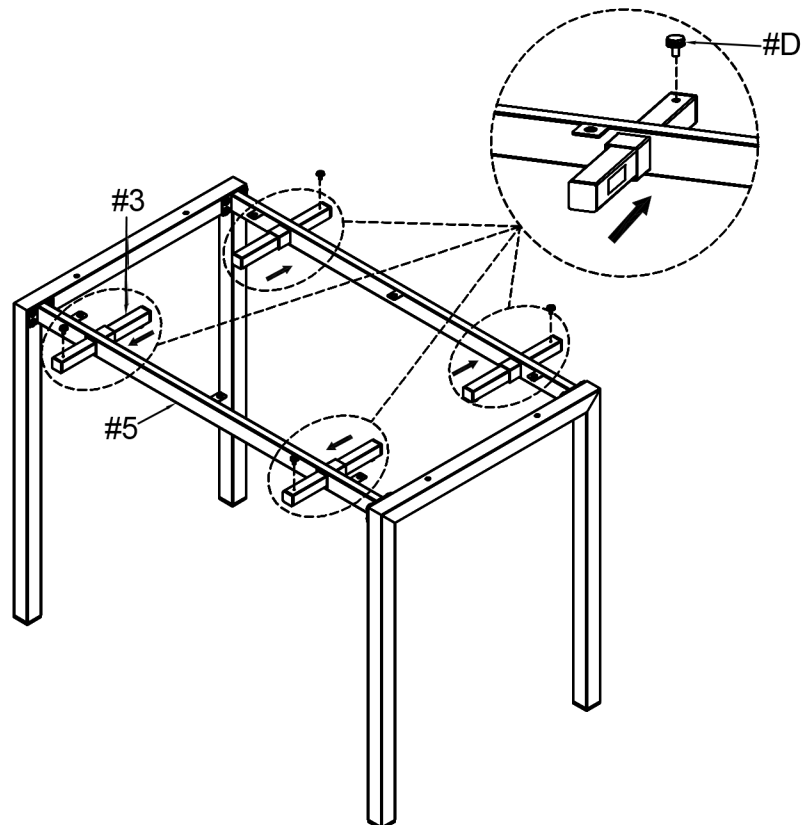
#A x 16pcs



#2

Slide support bars (#3) through the metal rails (#5), then attach levelers (#D) to support bars (#3).

#D x 4pcs



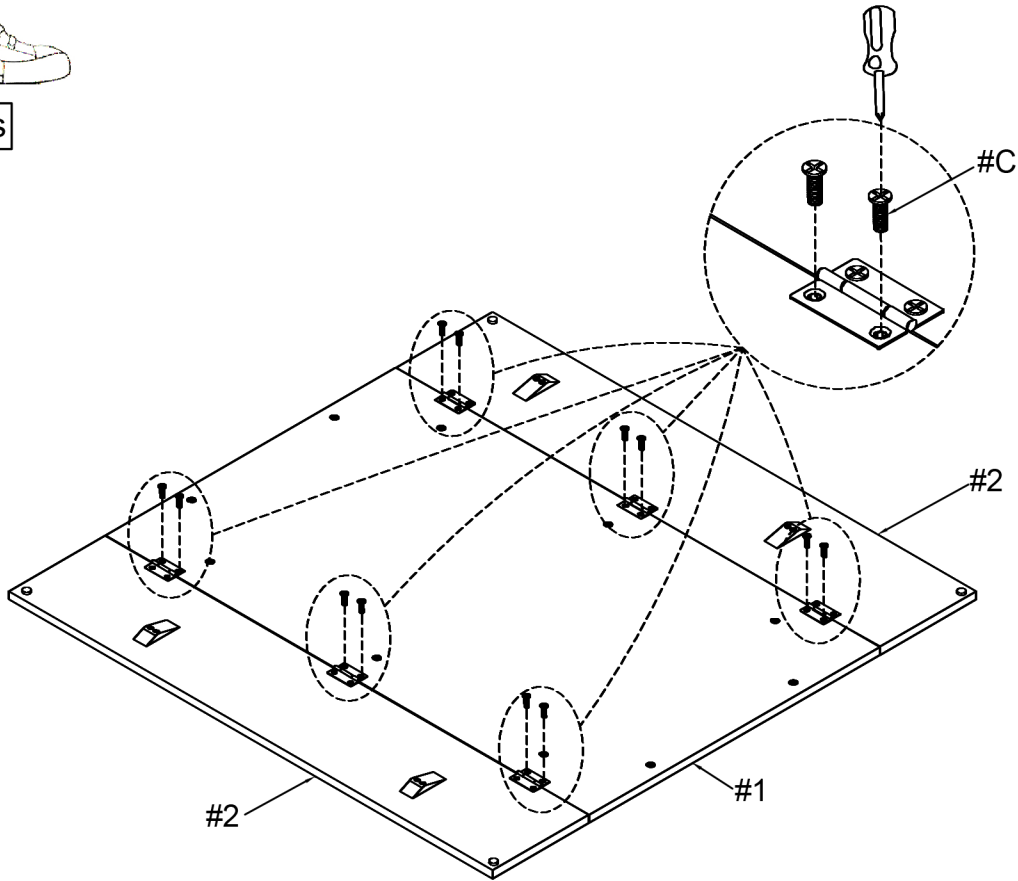




#3

Align leaf panel (#2) to top panel (#1), then secure by using bolts (#C).

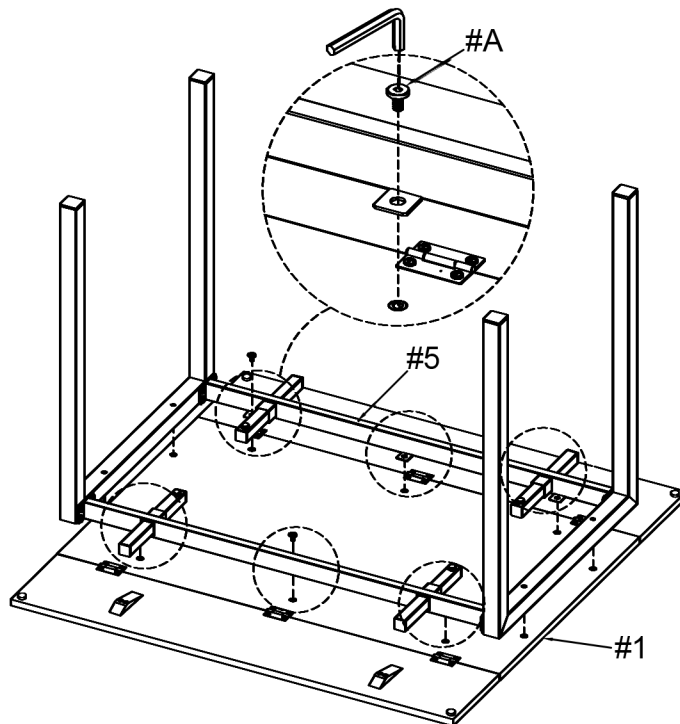
#C x 12pcs



#4

Align table frame to table top (#1), then secure by using bolts (#A).

#A x 6pcs

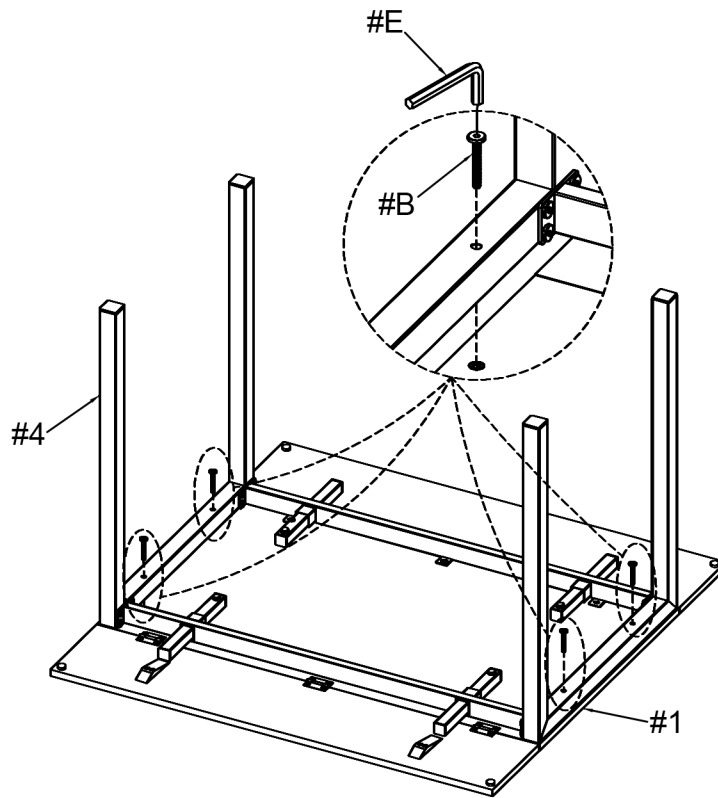




#5

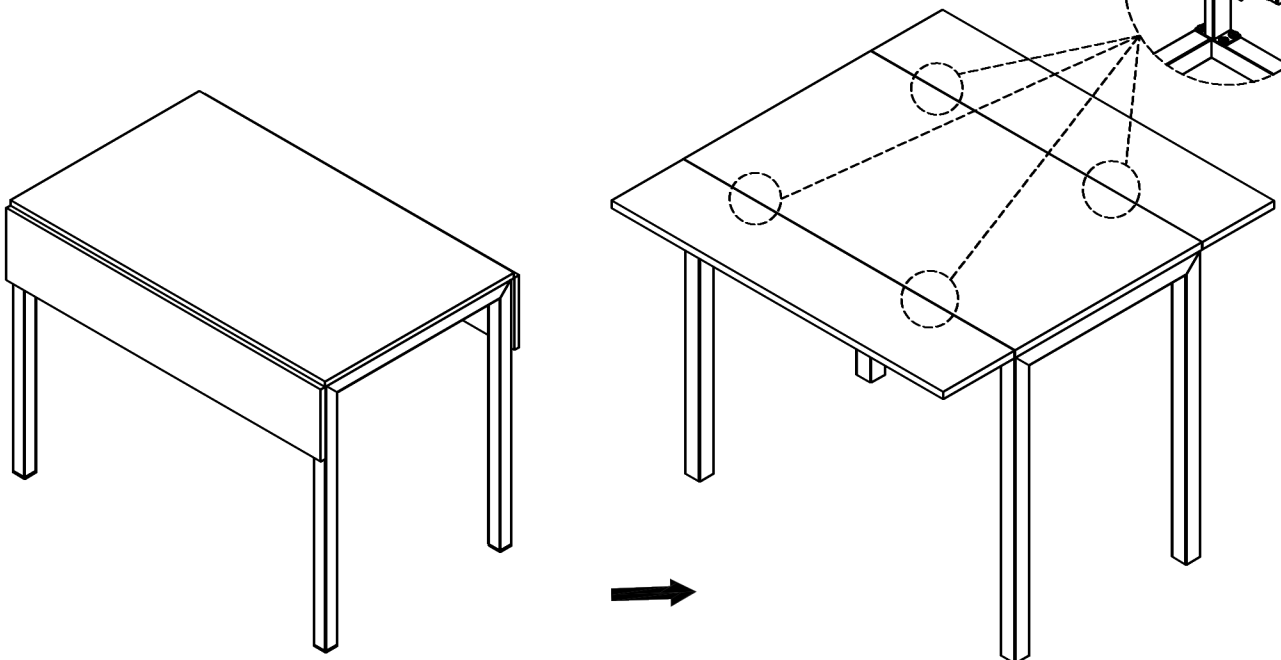
Secure by using bolts (#B).

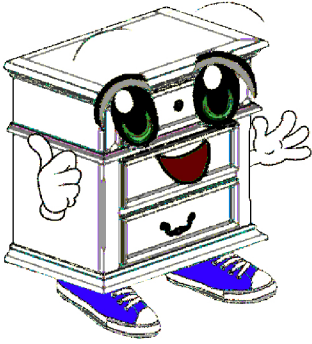
#B x 4pcs



#6

Pull support bars to close/open leaf.



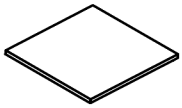
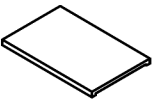



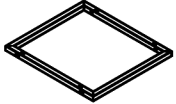





Before you begin, please read Page 2 of "Assembly and Care Advice".

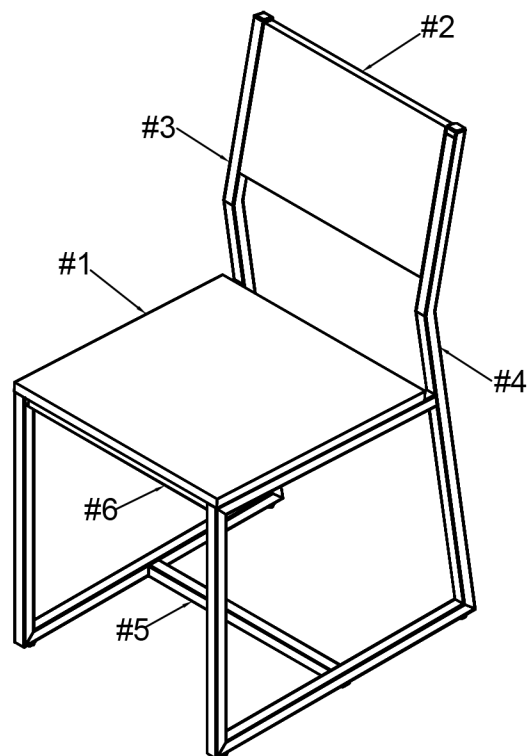
And remember, do not tighten until each step is completed or instructed.

### Parts List

### Hardware List

-  #1 x 1pc  
Seat Panel
-  #2 x 1pc  
Back Panel
-  #3 x 1pc  
Left Side Frame
-  #4 x 1pc  
Right Side Frame
-  #5 x 1pc  
Cross Bar
-  #6 x 1pc  
Seating Frame

-  #A x 6pcs  
Bolts  $\text{Ø}1/4$ "x $1/2$ "
-  #B x 8pcs  
Bolts  $\text{Ø}1/4$ "x $1-1/4$ "
-  #C x 1pc  
Allen Wrench M4



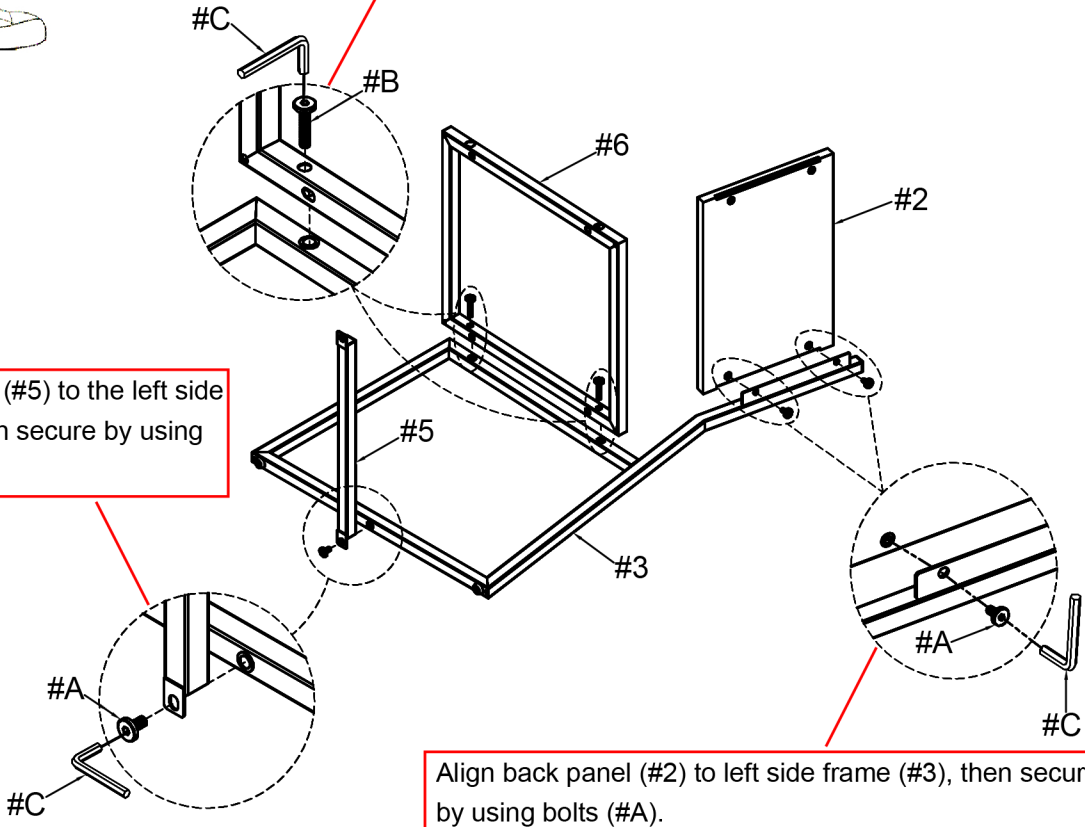


#1

#A x 3pcs  
#B x 2pcs

Align seat frame (#6) to the left side frame (#3), then secure by using bolts (#B).

Align cross bar (#5) to the left side frame (#3), then secure by using bolts (#A).



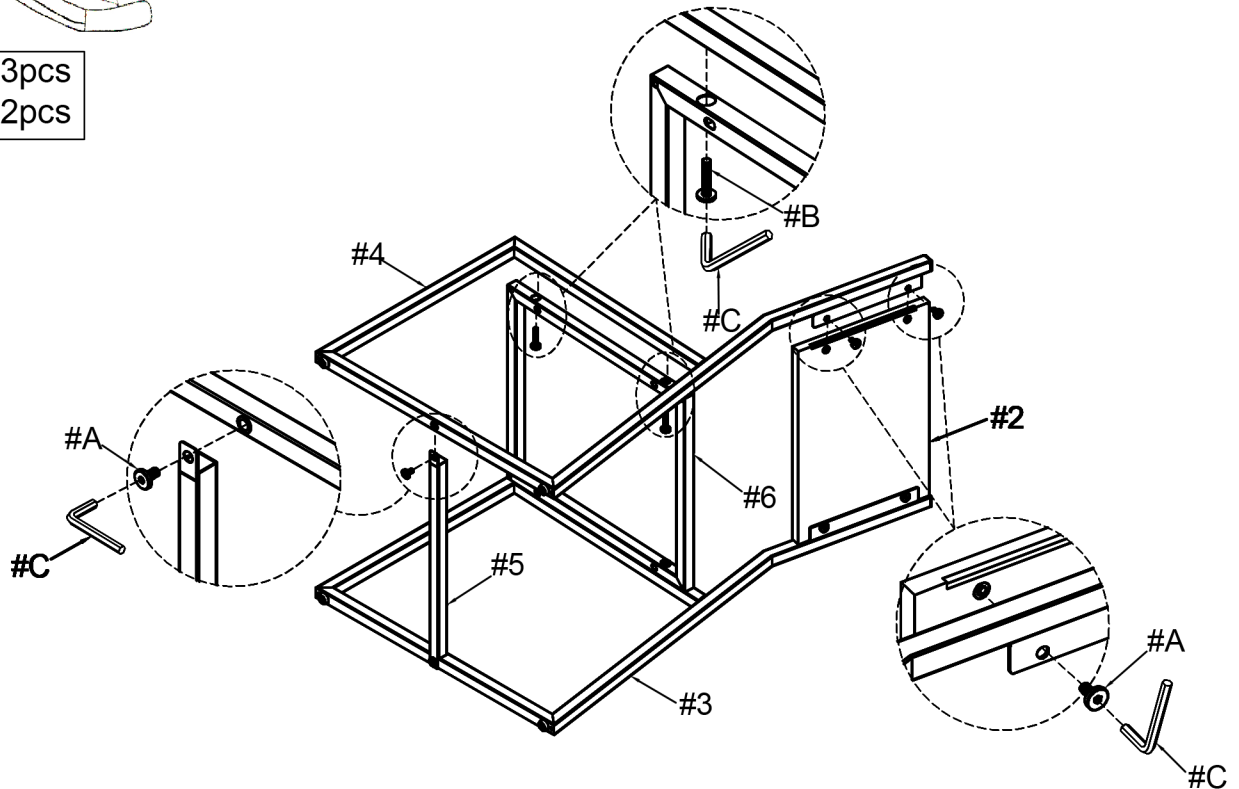
Align back panel (#2) to left side frame (#3), then secure by using bolts (#A).



#2

#A x 3pcs  
#B x 2pcs

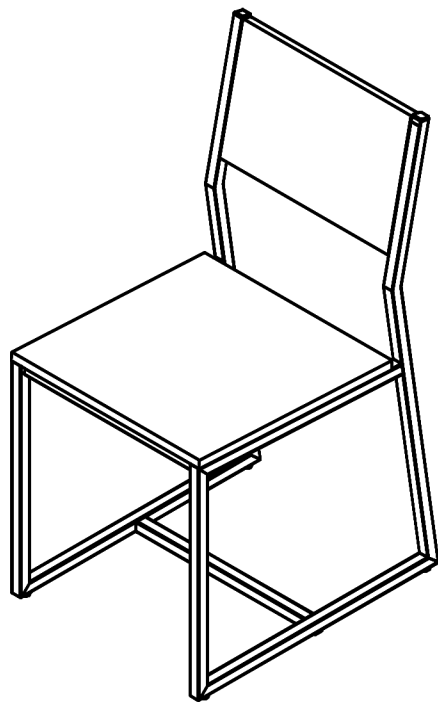
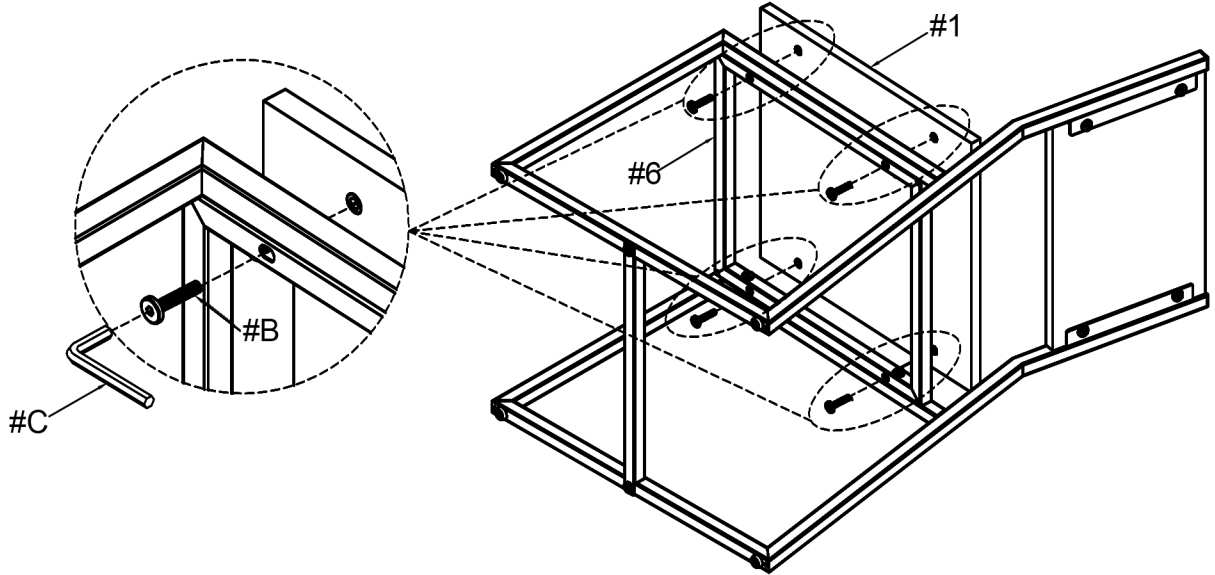
Align right side frame (#4) to the chair, then secure by using bolts (#A,B).





Align seat panel (#1) to the holes of the chair frame, then secure by using bolts (#B).

#B x 4pcs



ASSEMBLY IS COMPLETED