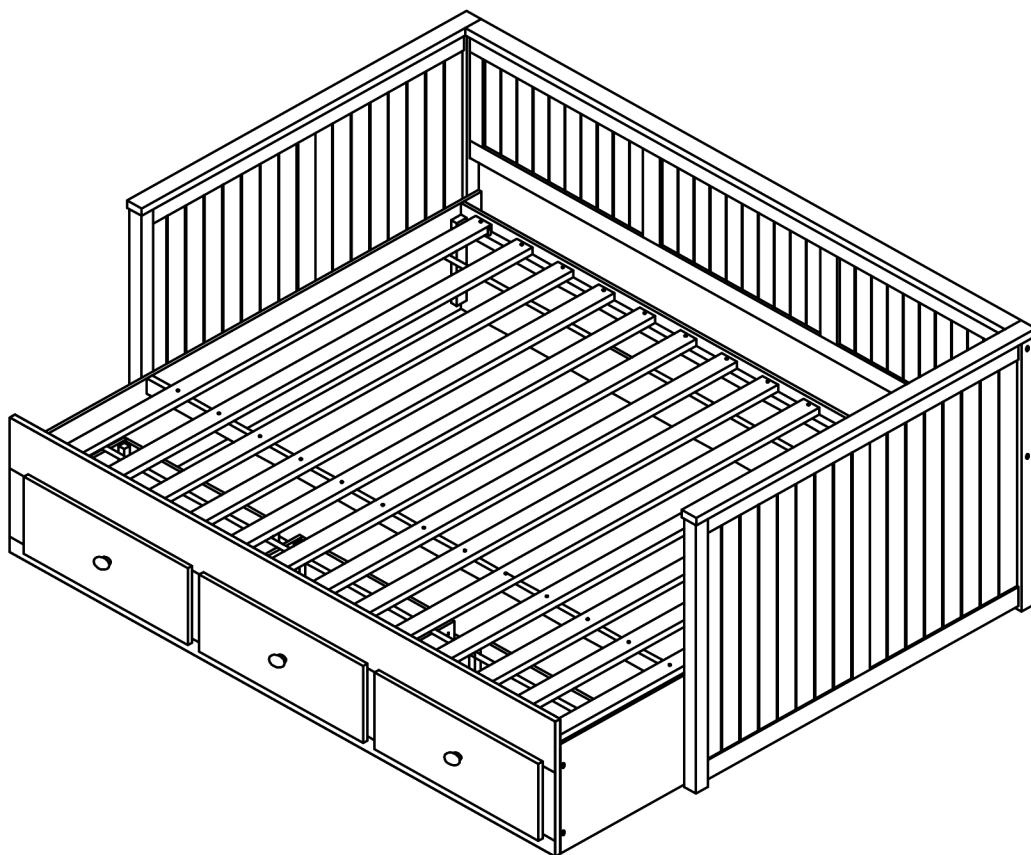


ASSEMBLY INSTRUCTIONS



TOOLS REQUIRED



Allen Wrench

(Included)



**Phillips
Screwdriver**

(Not Included)



**2 - People
Recommended**

ASSEMBLY RATING



EASY ————— DIFFICULT

The Assembly Rating is a 5-point system showing the level of effort needed to assemble a specific product.



CHECK BEFORE STARTING

Are you missing anything?

Double-check all parts, hardware and accessories listed on Page 6 are accounted for.

Should we send any replacements?

Are there any irregularities or flaws in the parts? We can send replacements!

Check out our Quick Tips!

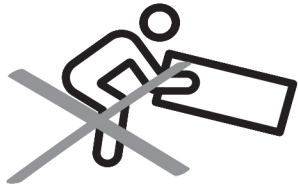
We recommend reviewing the pre-assembly handouts. Even experts need a refresher now and then!

Prep Time!

Please review the assembly instructions and all diagrams prior to assembling. Arrange parts as recommended on Page 7 and group identical hardware together to make assembling easier.

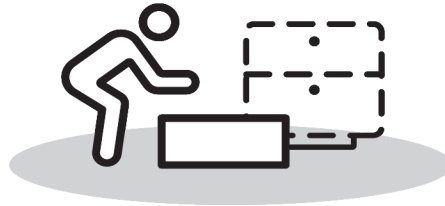
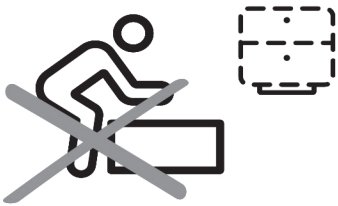
PRE ASSEMBLY INTRODUCTION

We understand building ready-to-assemble furniture can be a challenging experience for some. To help avoid confusion, we have provided some helpful tips that may speed up the process.



Teamwork

ALWAYS have at least two people to help with transporting and assembling the product to avoid potential injury and/or damage.



Suitable Location

Assembling near the area of the intended location is highly recommended.



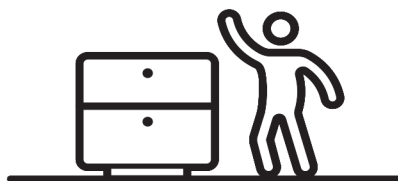
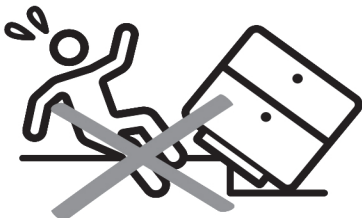
Sufficient Space

Make sure you have enough space to move around during the assembly.



Avoid Scratches

Use cardboard, blankets or a carpeted area while assembling furniture to prevent scratches.



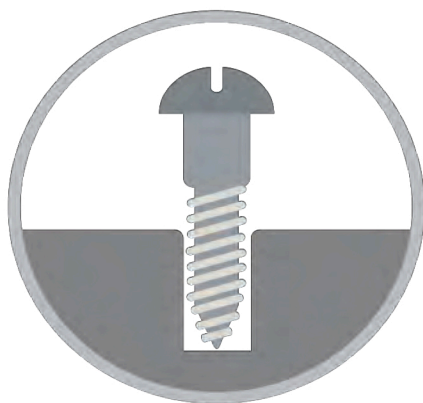
Flat Surface

Make sure the furniture rests on a flat and level surface with each leg evenly touching the floor.

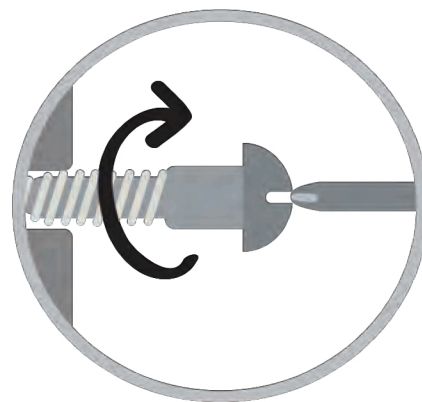
ASSEMBLY AND CARE ADVICE



FAILURE TO FOLLOW THE GUIDELINES BELOW MAY RESULT IN INJURY AND/OR PROPERTY DAMAGE.



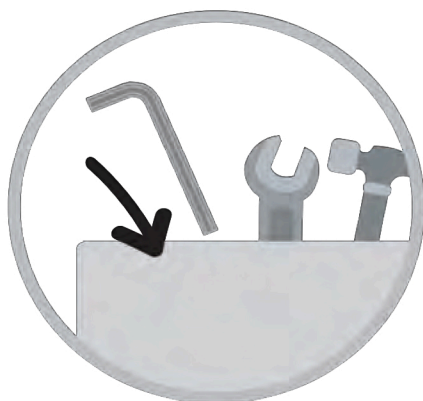
Position each part correctly and insert screws or bolts into their respective holes.



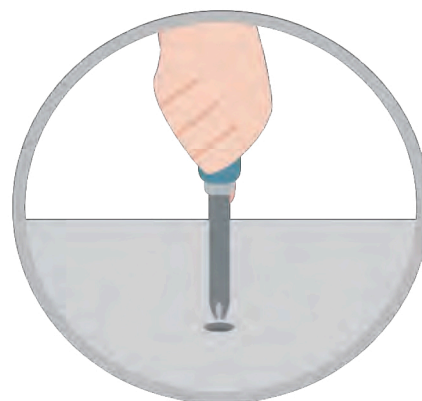
Turn clockwise to tighten and only tighten when step is completed or when instructed to do so.



Use the appropriate hand tools or power tools for assembly. Select steps, such as tightening screws and/or bolts, may require hand tools to avoid causing damage during assembly.



Save the instructions and store any supplied tools for later maintenance.



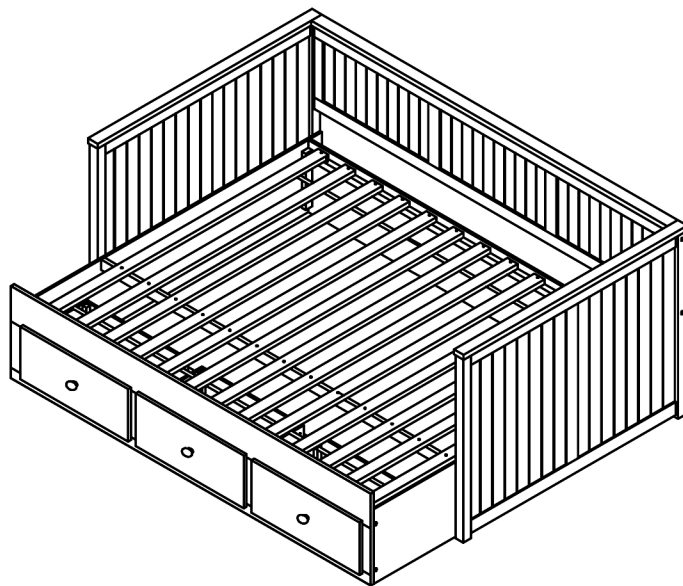
After two weeks, check and tighten any loose hardware and repeat again every six months thereafter.

IT IS THE USER'S RESPONSIBILITY TO MAINTAIN THE FURNITURE. THE HARDWARE MAY LOOSEN OVER TIME AND MAY CAUSE THE FURNITURE TO BE WOBBLY AND UNABLE TO SUPPORT ITS INTENDED WEIGHT CAPACITY. THIS MAY LEAD TO COLLAPSE AND MAY CAUSE SERIOUS INJURY.

DAYBED



- Please keep instructions for future reference.
- Check the quantity and irregularity of parts and hardware before you start.



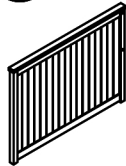
PARTS

#1 1pc



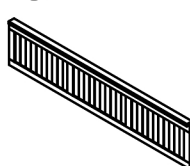
Headboard (L)

#2 1pc



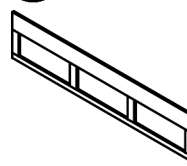
Headboard (R)

#3 1pc



Guardrail

#4 1pc



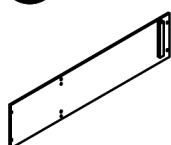
Front Trundle Panel

#5 1pc



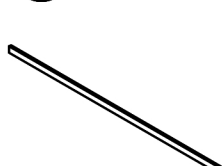
Back Trundle Panel

#6 2pcs



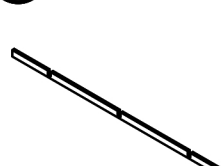
End Trundle Panel

#7 1pc



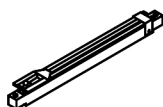
Top Trundle Support

#8 1pc



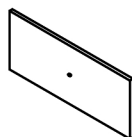
Bottom Trundle Support

#9 3pcs



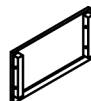
Crossbar

#10 3pcs



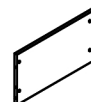
Front Drawer Panel

#11 3pcs



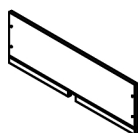
Drawer Panel (L)

#12 3pcs



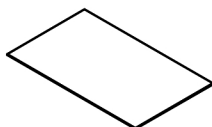
Drawer Panel (R)

#13 3pcs



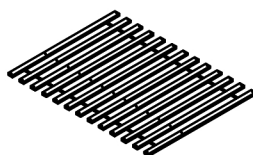
Back Drawer Panel

#14 3pcs



Bottom Drawer Panel

#15 1set



Slat Kit (13pcs)

HARDWARE

#A 4pcs



Bolt

#B 4pcs



Barrel Nut

#C 6pcs



Bolt

#D 20pcs



Bolt

#E 12pcs



Wood Dowel

#F 63pcs



Screw

#4x30mm

#G 3pcs



Screw

#3x15mm

#H 6pcs



Screw

#3x12mm

#I 3pcs



Scroll Bar

#J 3pcs



Bolt

#K 3pcs



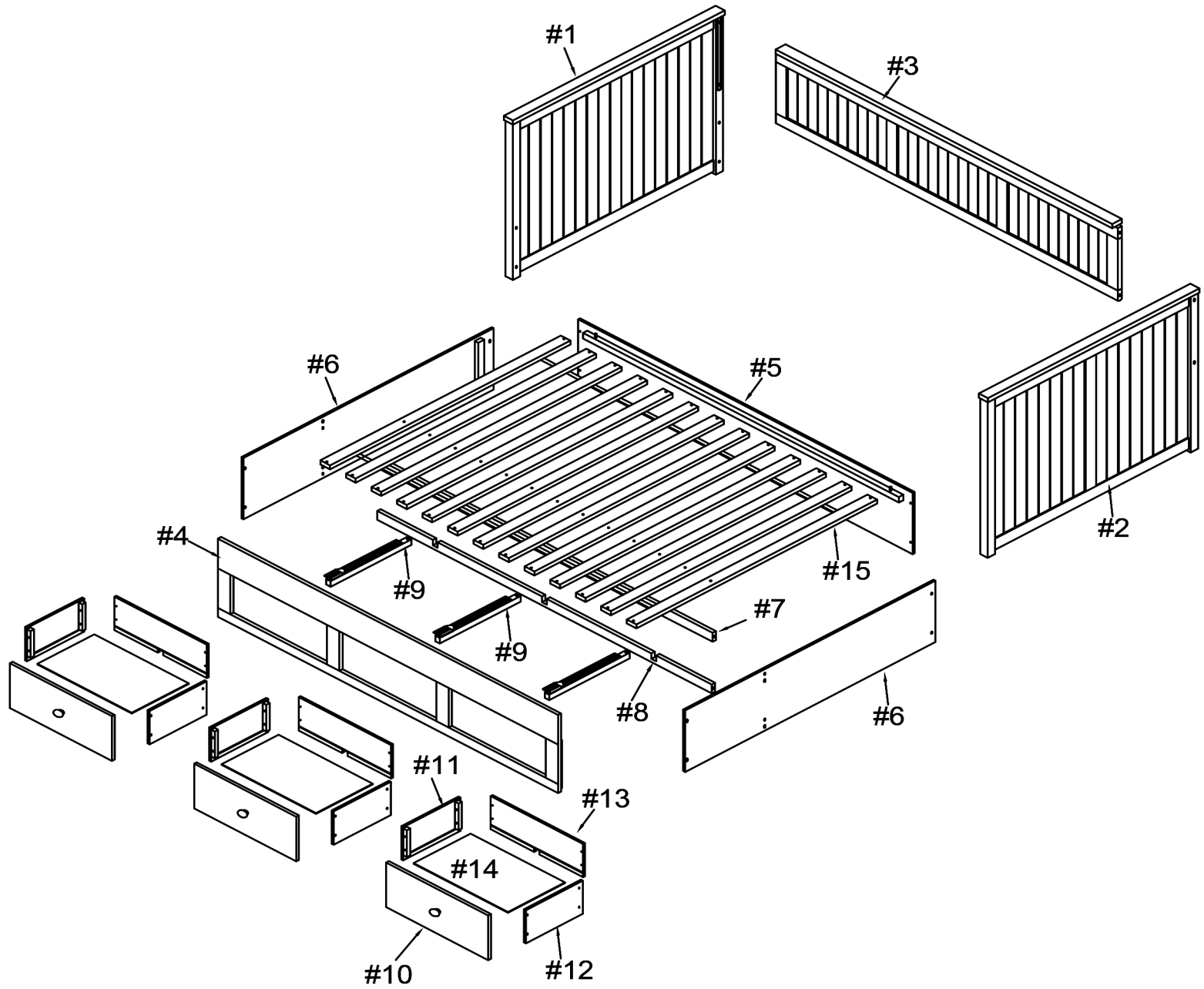
Holder

#L 1pc





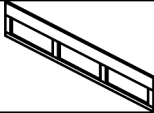



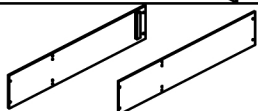



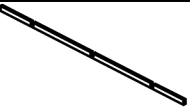



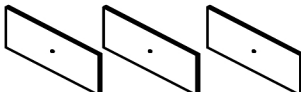





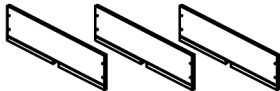

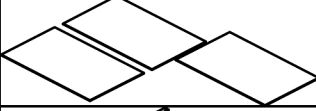
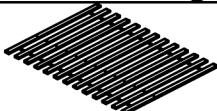



Allen Wrench 4mm

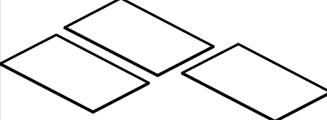
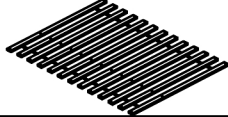
Exploded View



packed in 2 cases

Carton	Disignation	Part	Hardware
	Headboard (L)	#1 	
	Headboard (R)	#2 	
	Guardrail	#3 	 #Ax4pcs
	Front Trundle Panel	#4 	 #Bx4pcs
	Back Trundle Panel	#5 	 #Cx6pcs
	End Trundle Panel	#6 	 #Dx20pcs
	Top Trundle Support	#7 	 #Ex12pcs
	Bottom Trundle Support	#8 	 #Fx63pcs
	Crossbar	#9 	 #Gx3pcs
	Front Drawer Panel	#10 	 #Hx6pcs
	Drawer Panel (L)	#11 	 #Jx3pcs
	Drawer Panel (R)	#12 	 #Kx3pcs
	Back Drawer Panel	#13 	 #Lx1pc
	Bottom Drawer Panel	#14 	
	Slat Kit (13pcs)	#15 	
	Scroll Bar	#1 	

packed in 2 cases

Carton	Disignation	Part		Hardware
	Bottom Drawer Panel	#14		
	Slat Kit (13pcs)	#15		

ASSEMBLY INSTRUCTIONS

1

Part #1 x 1pc

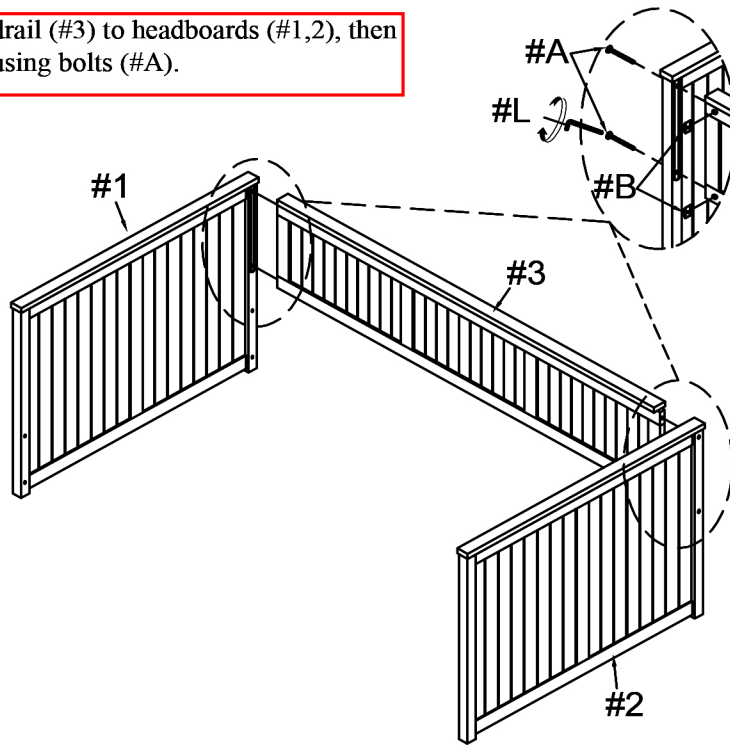
Part #2 x 1pc

Part #3 x 1pc

Hardware #A x 4pcs

Hardware #B x 4pcs

Align guardrail (#3) to headboards (#1,2), then secure by using bolts (#A).



2

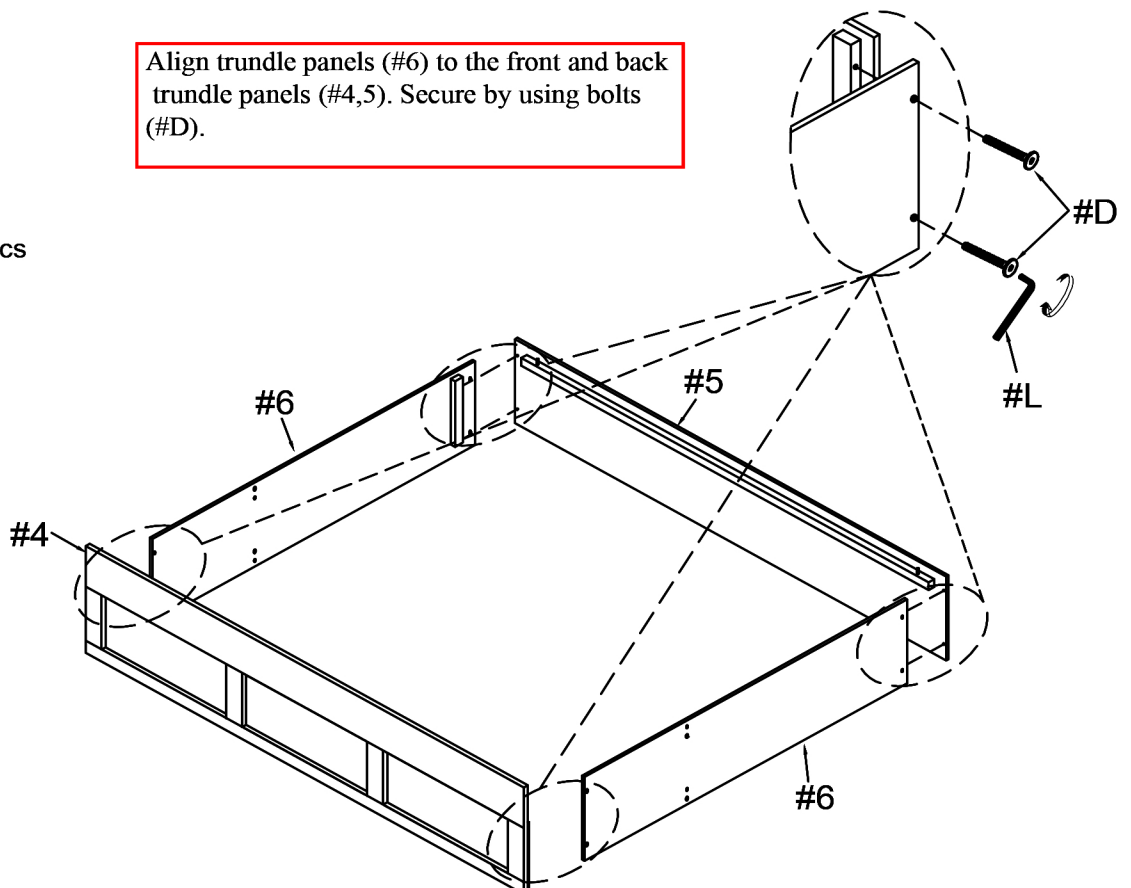
Part #4 x 1pc

Part #5 x 1pc

Part #6 x 2pcs

Hardware #D x 8pcs

Align trundle panels (#6) to the front and back trundle panels (#4,5). Secure by using bolts (#D).



ASSEMBLY INSTRUCTIONS

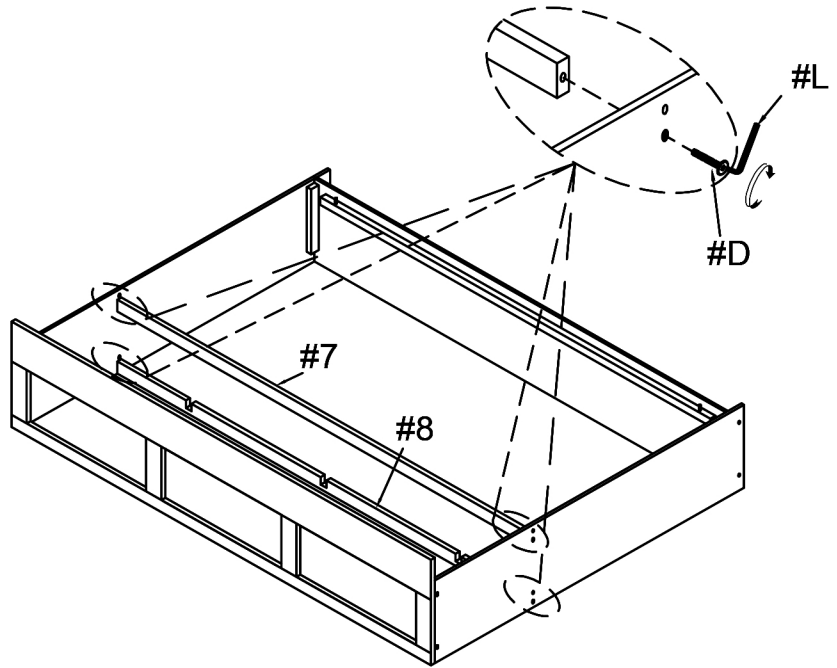
Align trundle supports (#7,8) to the trundle side panels, then secure by using bolts (#D).

3

Part #7 x 1pc

Part #8 x 1pc

Hardware #D x 4pcs

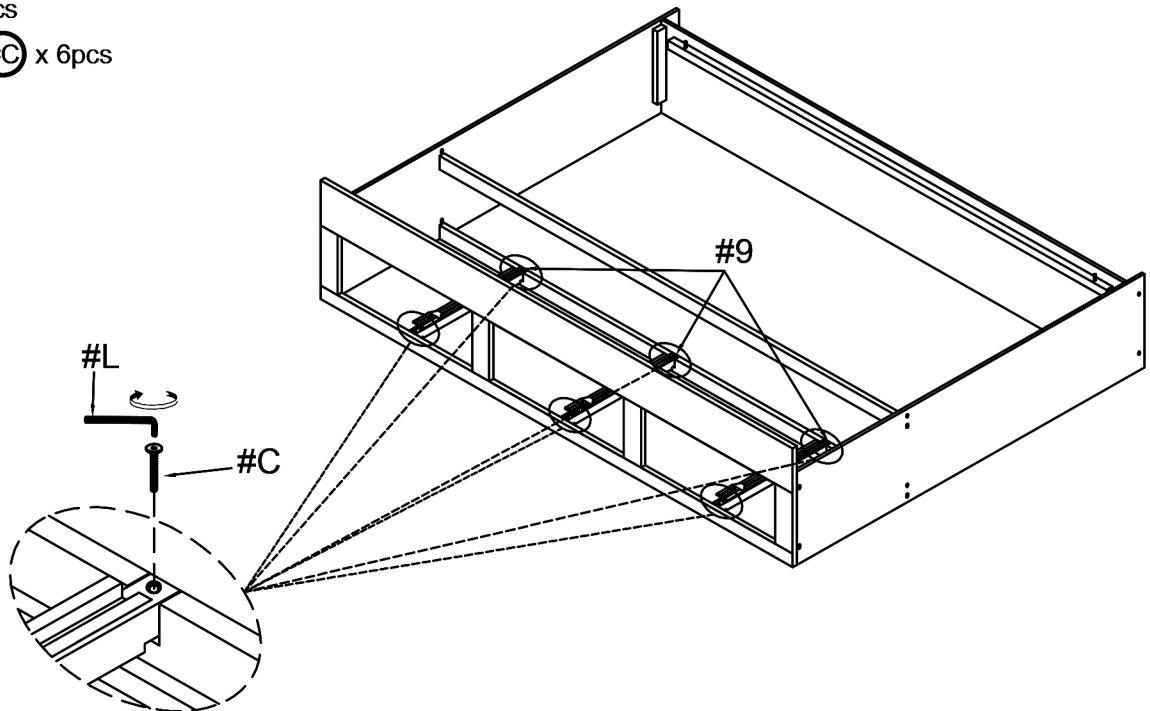


4

Align crossbars (#9) to the trundle, then secure by using bolts (#C).

Part #9 x 3pcs

Hardware #C x 6pcs

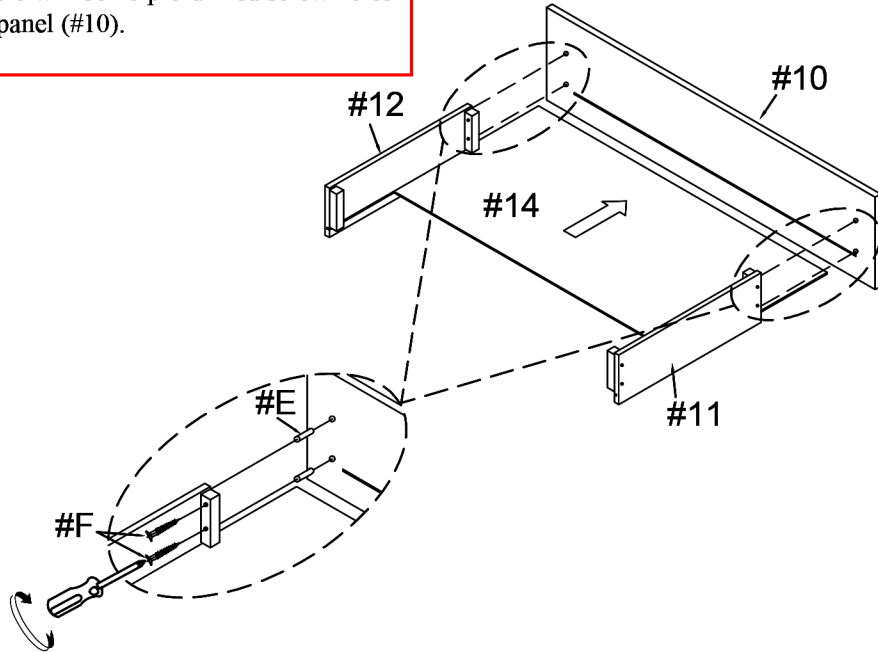


ASSEMBLY INSTRUCTIONS

Insert dowels (#E) to front drawer panel (#10), then align side panels (#11,12) and bottom panel (#14) to the front panel (#10). Secure by screwing screws (#F) directly to front panel (#10). There will be no pre-drilled screw holes for front panel (#10).

5

- Part #10 x 1pc
- Part #11 x 1pc
- Part #12 x 1pc
- Part #14 x 1pc
- Hardware #E x 4pcs
- Hardware #F x 4pcs

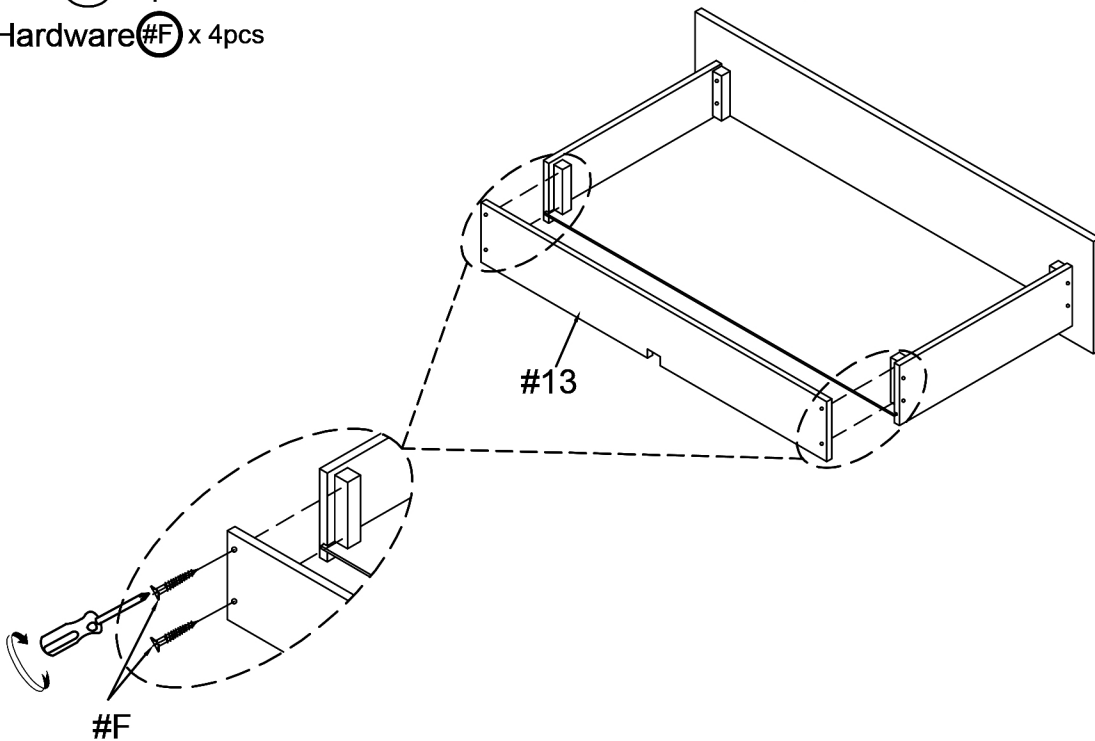


X3

6

- Part #13 x 1pc
- Hardware #F x 4pcs

Align back drawer panel (#13) to the drawer side panels, then secure by using screws (#F).



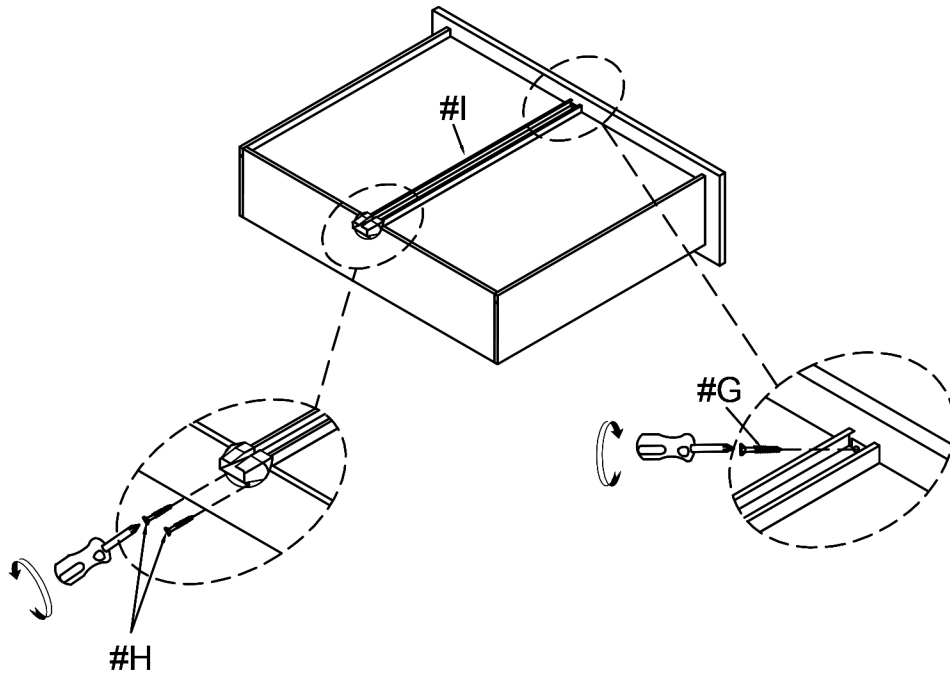
X3

ASSEMBLY INSTRUCTIONS

Align scroll bar (#I) to the bottom of the drawer, then secure by using screws (#H,G) as shown in the diagram.

7

- Hardware #G x 1pc
- Hardware #H x 2pcs
- Hardware #I x 1pc

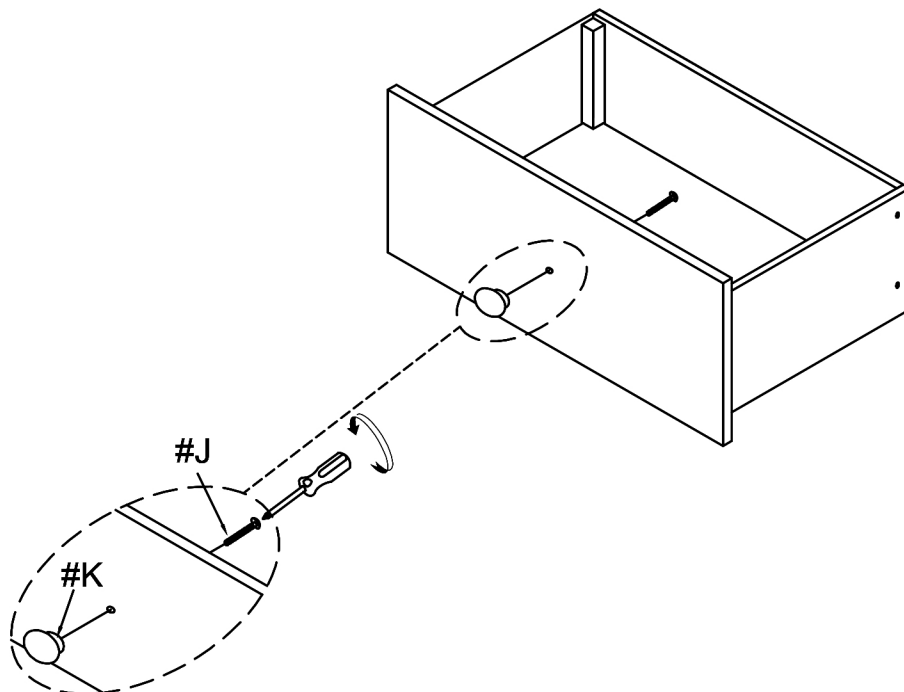


X3

8

- Hardware #J x 1pc
- Hardware #K x 1pc

Secure knob (#K) onto drawer by using bolts (#J).



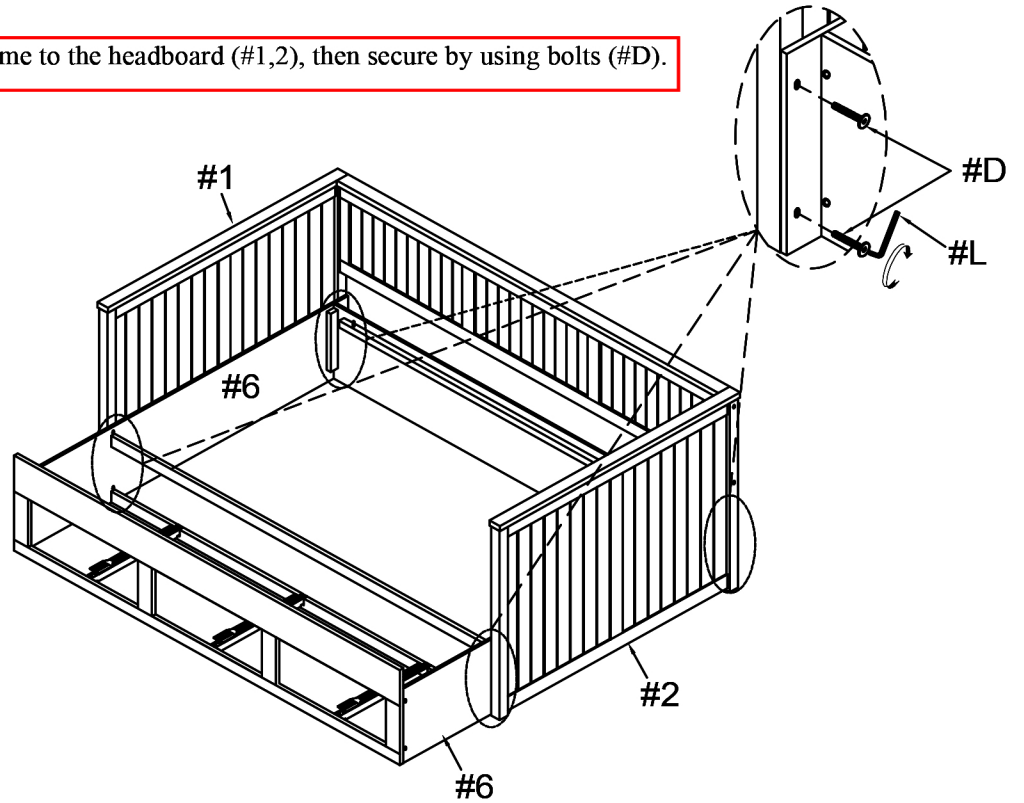
X3

ASSEMBLY INSTRUCTIONS

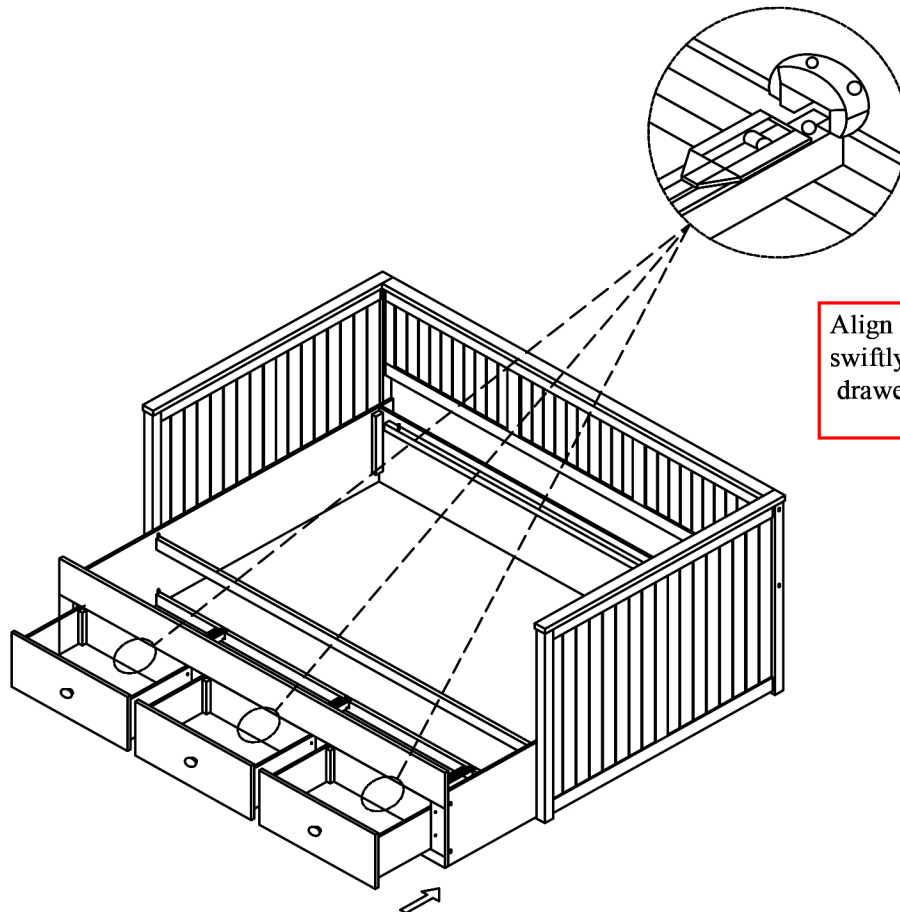
Align trundle frame to the headboard (#1,2), then secure by using bolts (#D).

9

Hardware  x 8pcs



10



Align drawers to the railing, then swiftly with slight force, push the drawer in to lock.

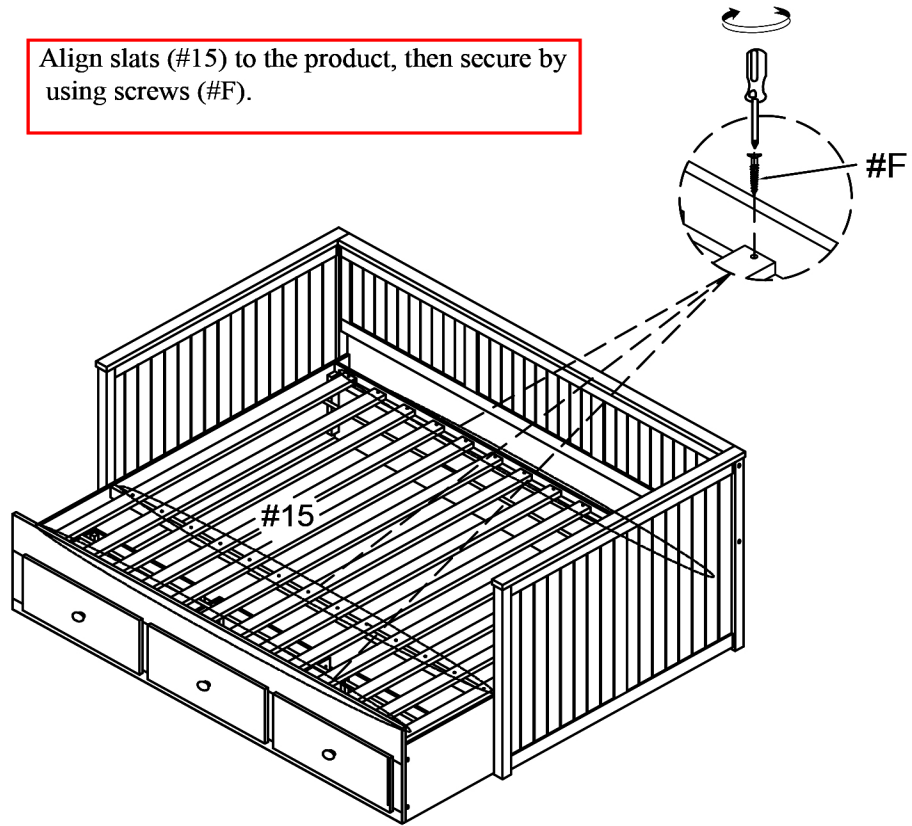
ASSEMBLY INSTRUCTIONS

11

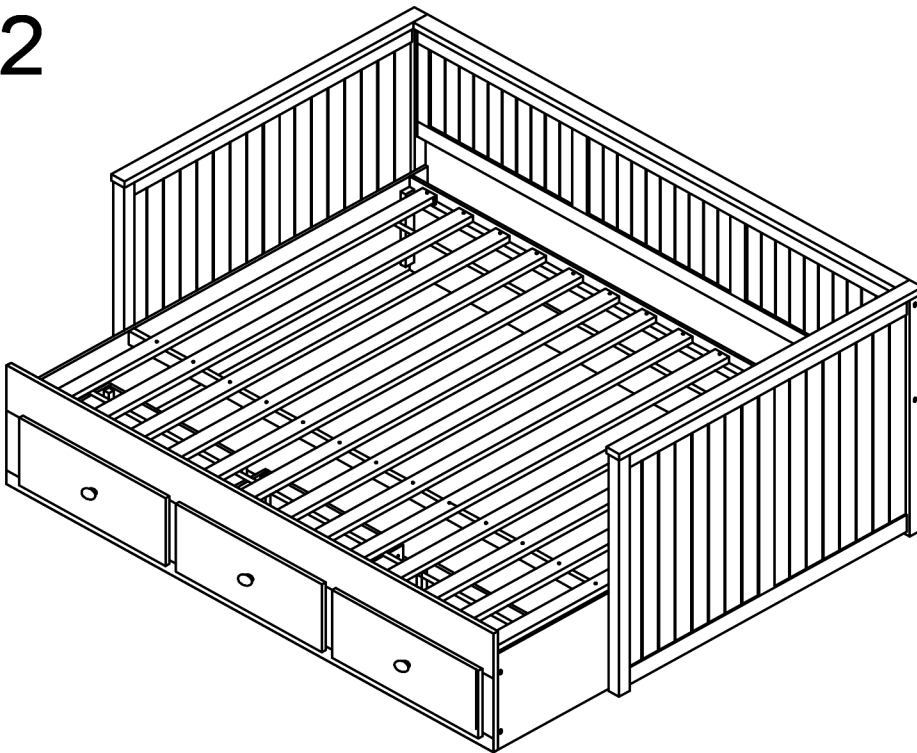
Part #15 x 1set

Hardware #F x 39pcs

Align slats (#15) to the product, then secure by using screws (#F).



12



ASSEMBLY COMPLETED



Please ensure the furniture rests on an even and flat surface. If the product wobbles or feels loose, double-check all bolts and/or screws are properly tightened and secured.



Keep this handy!

Please retain this instruction manual and any order-related information for future reference.



Lift, don't drag!

To avoid damage to product please always LIFT the product when transporting or adjusting the placement.