

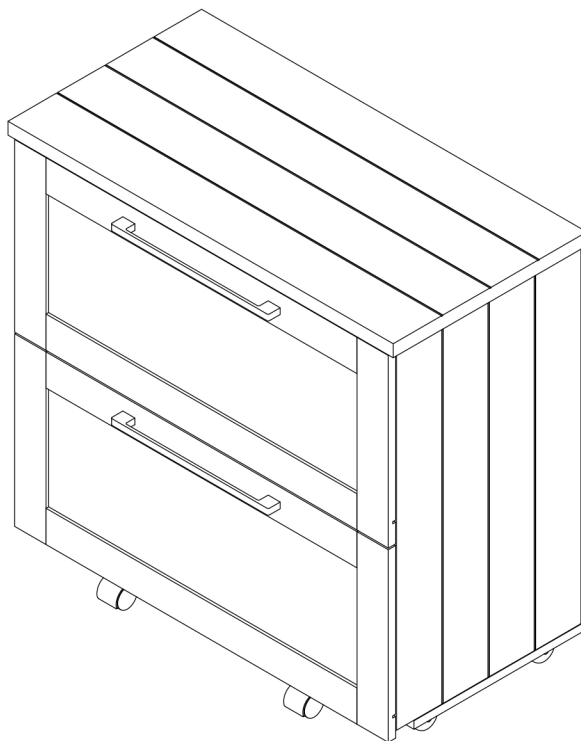
ASSEMBLY INSTRUCTIONS

TOOLS REQUIRED



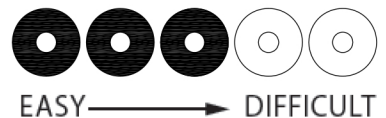
**Philips
Screwdriver**

(Not Included)



**2 - People
Recommended**

ASSEMBLY RATING



The Assembly Rating is a 5-point system showing the level of effort needed to assemble a specific product.



CHECK BEFORE STARTING

Are you missing anything?

Double-check all parts, hardware and accessories listed on Page 6 are accounted for.

Check out our Quick Tips!

We recommend reviewing the pre-assembly handouts. Even experts need a refresher now and then!

Should we send any replacements?

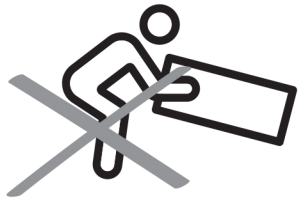
Are there any irregularities or flaws in the parts? We can send replacements!

Prep Time!

Please review the assembly instructions and all diagrams prior to assembling. Arrange parts as recommended on Page 7 and group identical hardware together to make assembling easier.

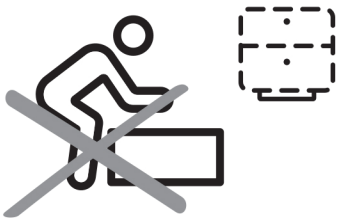
PRE ASSEMBLY INTRODUCTION

We understand building ready-to-assemble furniture can be a challenging experience for some. To help avoid confusion, we have provided some helpful tips that may speed up the process.



Teamwork

ALWAYS have at least two people to help with transporting and assembling the product to avoid potential injury and/or damage.



Suitable Location

Assembling near the area of the intended location is highly recommended.



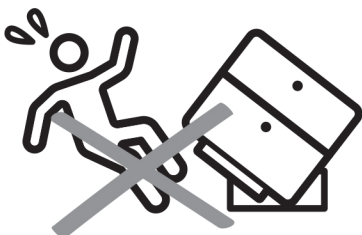
Sufficient Space

Make sure you have enough space to move around during the assembly.



Avoid Scratches

Use cardboard, blankets or a carpeted area while assembling furniture to prevent scratches.



Flat Surface

Make sure the furniture rests on a flat and level surface with each leg evenly touching the floor.

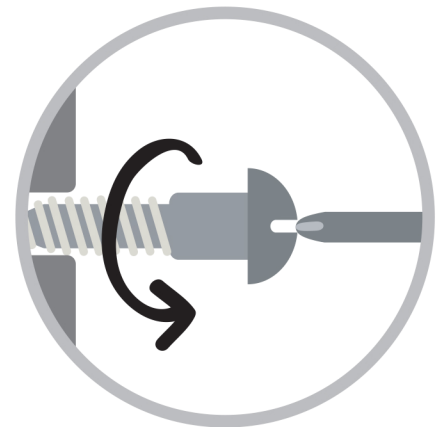
ASSEMBLY AND CARE ADVICE



FAILURE TO FOLLOW THE GUIDELINES BELOW MAY RESULT IN INJURY AND/OR PROPERTY DAMAGE.



Position each part correctly and insert screws or bolts into their respective holes.



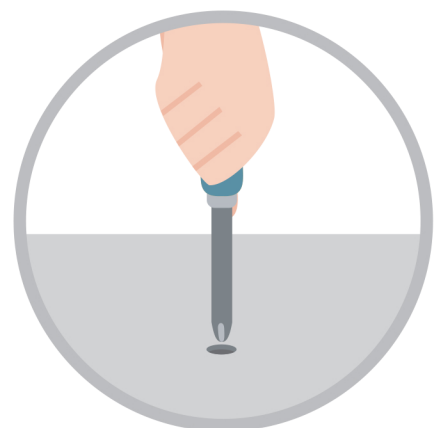
Turn clockwise to tighten and only tighten when step is completed or when instructed to do so.



Use the appropriate hand tools or power tools for assembly. Select steps, such as tightening screws and/or bolts, may require hand tools to avoid causing damage during assembly.



Save the instructions and store any supplied tools for later maintenance.



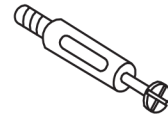
After two weeks, check and tighten any loose hardware and repeat again every six months thereafter.

IT IS THE USER'S RESPONSIBILITY TO MAINTAIN THE FURNITURE. THE HARDWARE MAY LOOSEN OVER TIME AND MAY CAUSE THE FURNITURE TO BE WOBBLY AND UNABLE TO SUPPORT ITS INTENDED WEIGHT CAPACITY. THIS MAY LEAD TO COLLAPSE AND MAY CAUSE SERIOUS INJURY.

CAM LOCK FASTENER ASSEMBLY INSTRUCTIONS

Note :

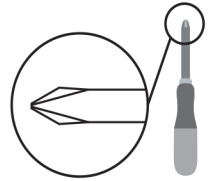
Every cam lock bolt must have a cam lock connector in order to fasten the parts together.



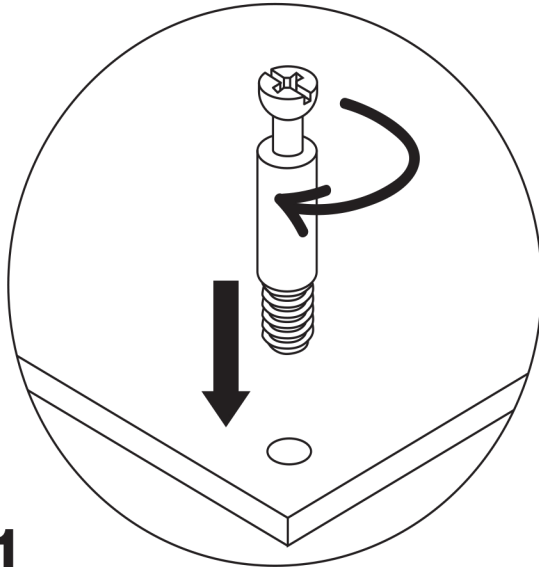
cam bolt



cam lock

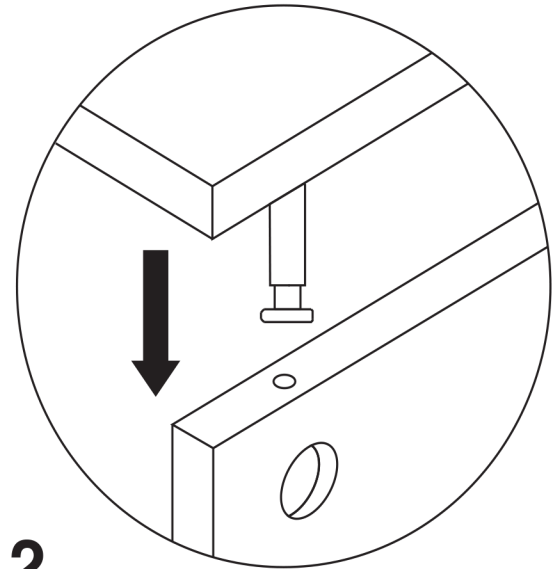


screwdriver



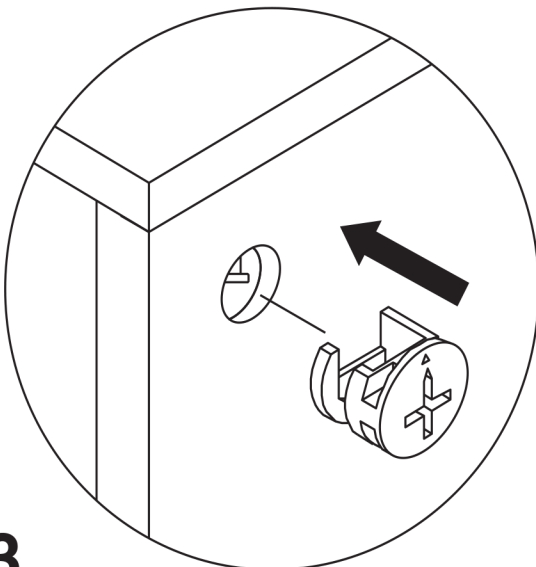
1

Screw the cam bolt into panel.



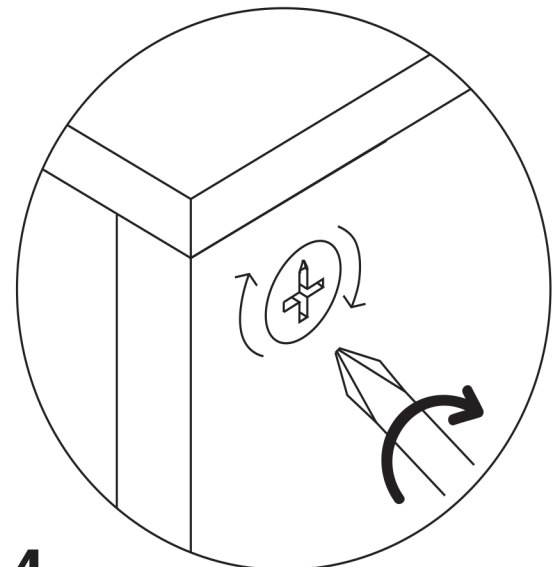
2

Insert the cam bolt into the bolt hole of joint panel.



3

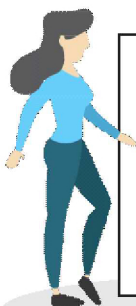
Align the cam lock with its side opening (or arrow) pointing to cam bolt.



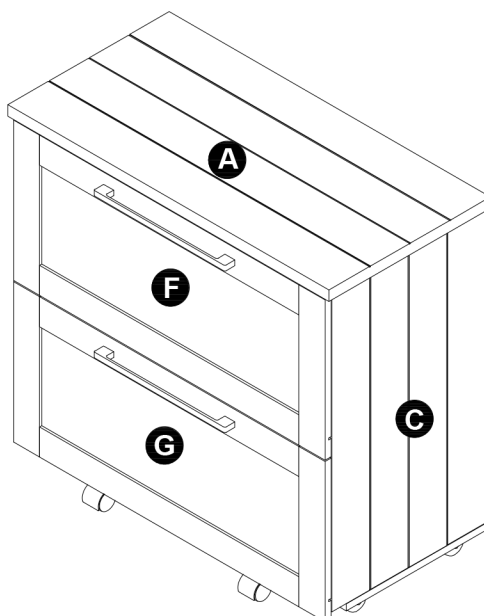
4

Turn the cam lock clockwise gently until it will not turn any more.

FILE CABINET



- Please keep instructions for future reference.
- Check the quantity and irregularity of parts and hardware before you start.

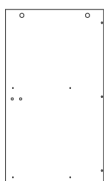


PARTS

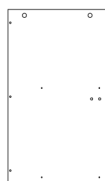
A 1PC



B 1PC



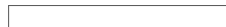
C 1PC



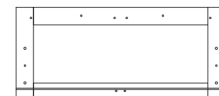
D 1PC



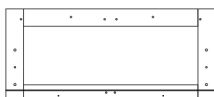
E 1PC



F 1PC



G 1PC



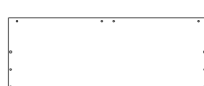
H 2PCS



I 2PCS



J 2PCS



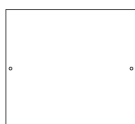
K 2PCS



L 2PCS



M 1PC



HARDWARE

1 14PCS



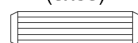
2 12PCS



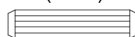
3 2PCS



4 24PCS
(8x30)



5 12PCS
(6x30)



6 2SET(8PCS)



7 16PCS
0.5"

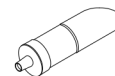


8 4PCS
2.0"



ACCESSORIES

A1 1PC



A2 2PCS(Lock)



A3 2PCS



A4 22PCS



A5 2PCS



A6 2SETS



A7 8PCS



A8 2SETS



A9 1SET



GET READY

Please group boards as below.

H 2PCS



I 2PCS



J 2PCS



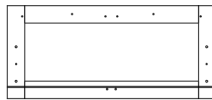
L 2PCS



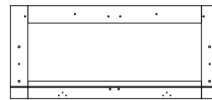
K 2PCS



F 1PC

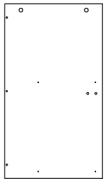


G 1PC



Drawer

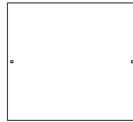
C 1PC



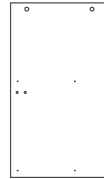
E 1PC



M 1PC



B 1PC



D 1PC



A 1PC



Body

ASSEMBLY INSTRUCTIONS

Identifying Drawer Rails

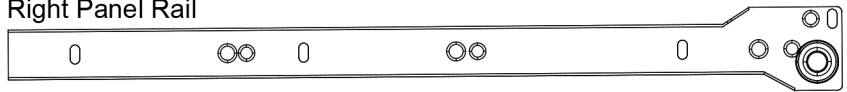
Each drawer requires a set of 4 rails. Please review the below instructions to help identify the different rails. Left and right determined from the viewpoint of opening the drawer.

Right/Left Panel Rail:

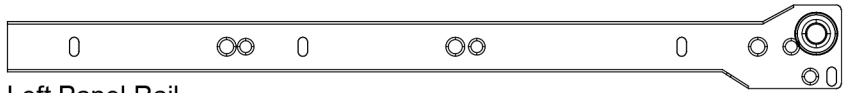
(C-shaped frame)

Align the drawer rails horizontally, with the oval and round holes resting flat against a surface. Rotate as needed so the rollers are located on your right-hand side. If the roller is closer to the bottom corner, this is the RIGHT panel rail. If the roller is closer to the top corner, this is the LEFT panel rail.

Right Panel Rail



Left Panel Rail



Right/Left Drawer Rail:

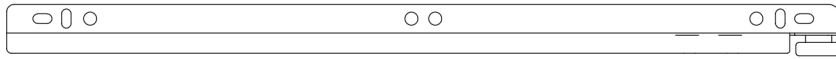
(S-shaped frame)

Align the panel rails horizontally. Rotate as needed so the rollers are located on your right-hand side. If the roller faces away from you, this is the RIGHT drawer rail. If the roller faces towards you, this is the LEFT drawer rail.

Right Drawer Rail



Left Drawer Rail

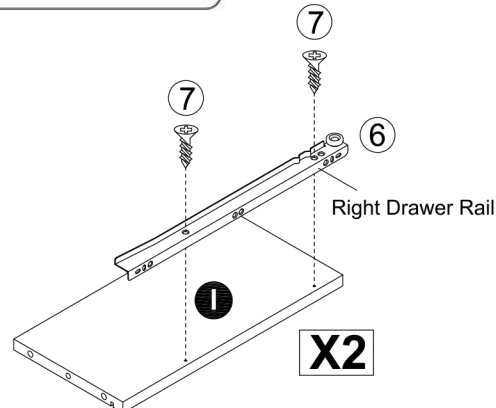
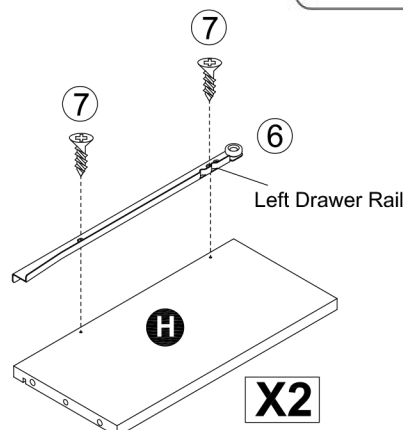
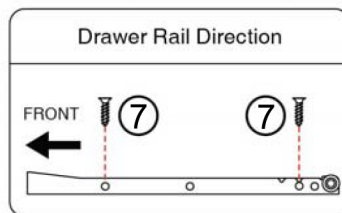


When grouped together, the right drawer rail and right panel rail will interlock with rollers at opposite ends. Likewise for the left drawer and left panel rails.

1

Hardware ⑥ x 4 pcs Drawer rails

Hardware ⑦ x 8 pcs



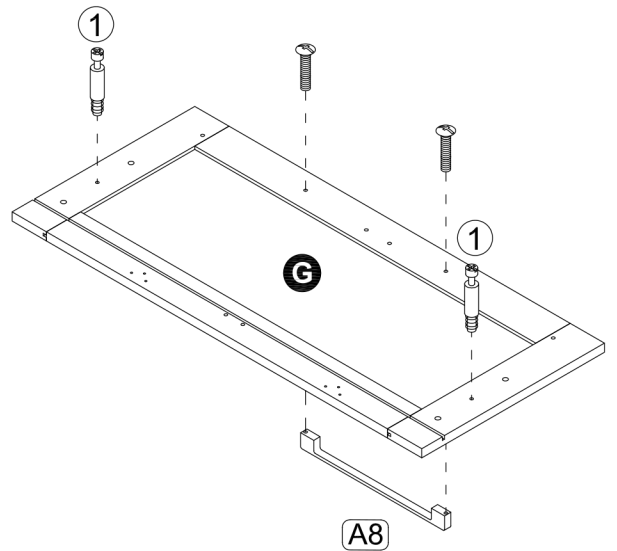
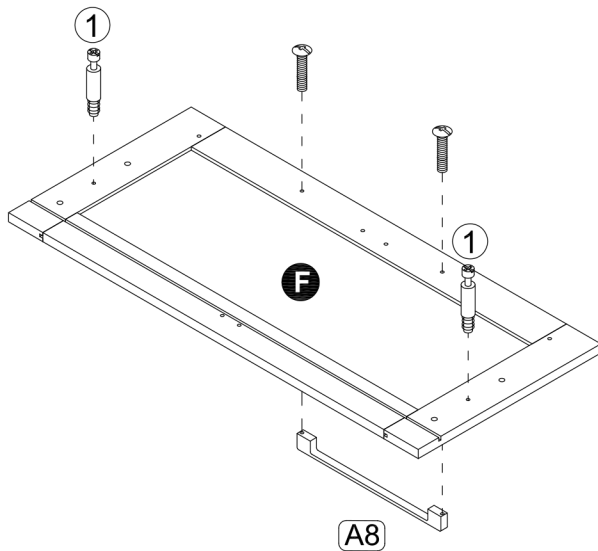
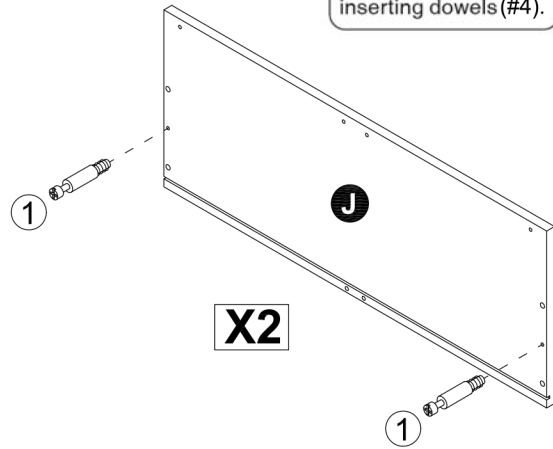
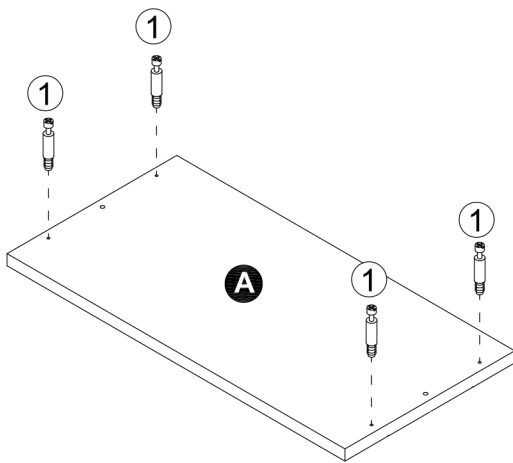
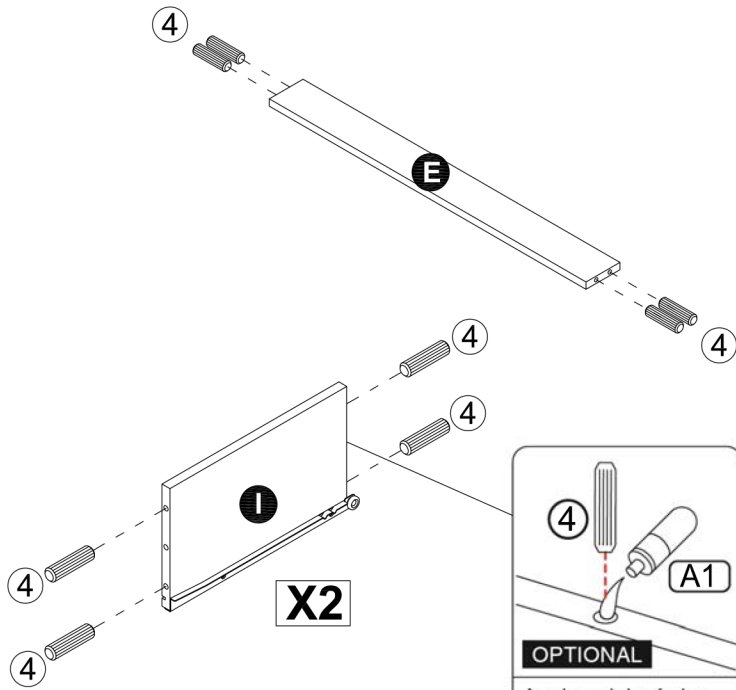
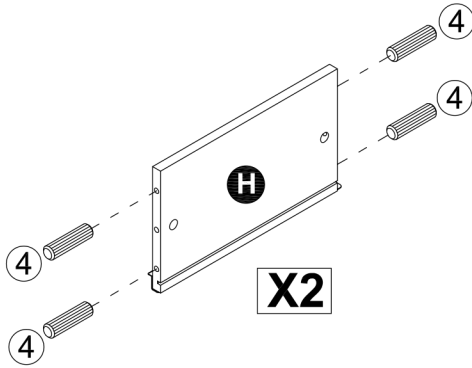
ASSEMBLY INSTRUCTIONS

2

Hardware ① x 12 pcs

Hardware ④ x 20 pcs (8x30)

Accessory A8 x 2 sets



ASSEMBLY INSTRUCTIONS

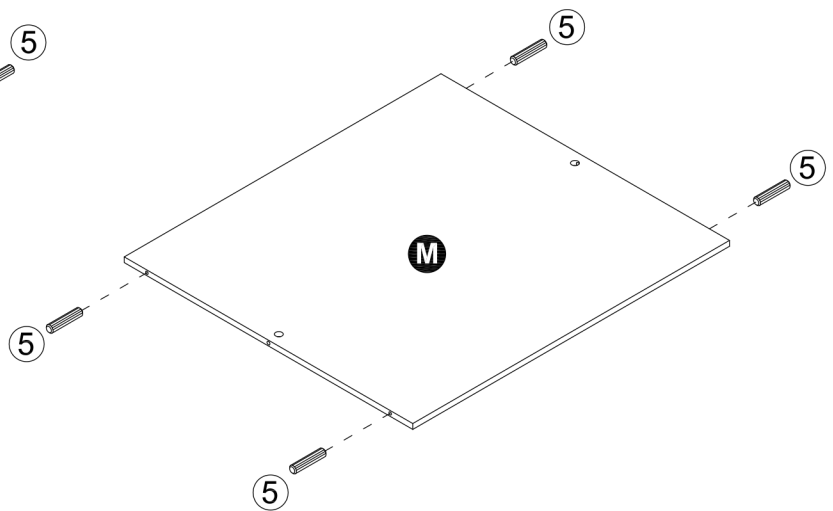
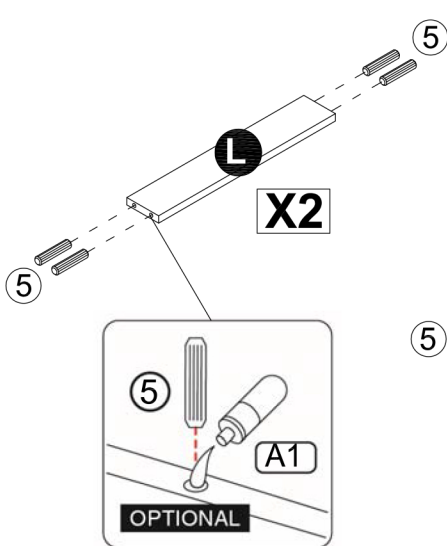
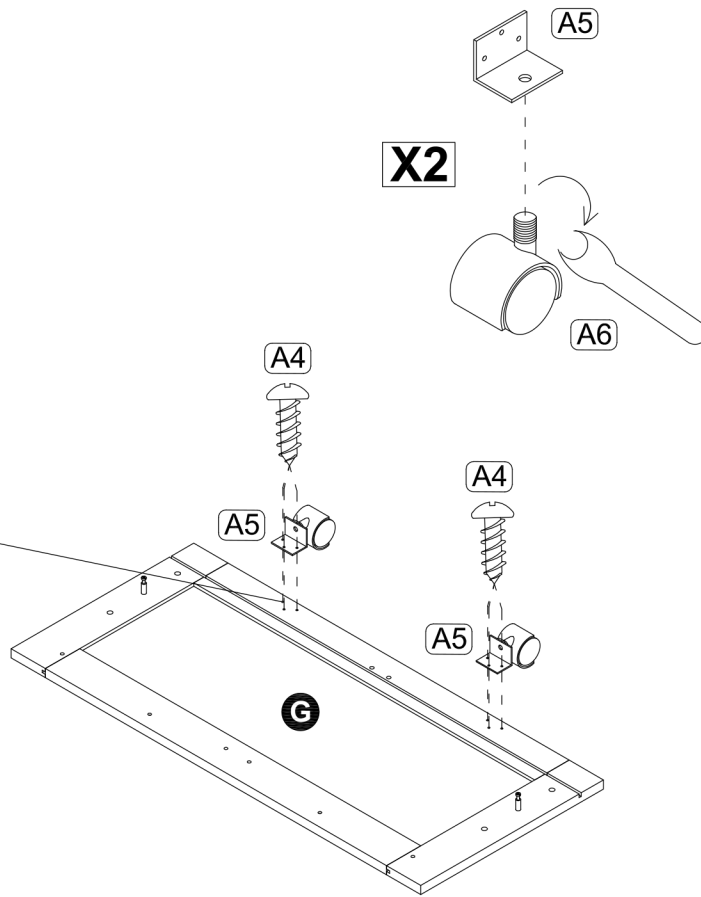
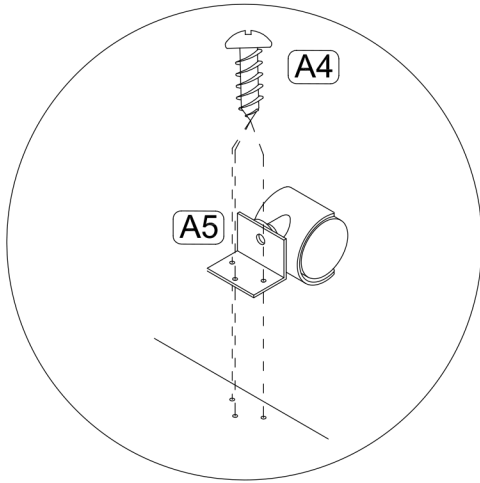
3

Hardware ⑤ x 12 pcs (6x30)

Accessory A4 x 6 pcs

Accessory A5 x 2 pcs

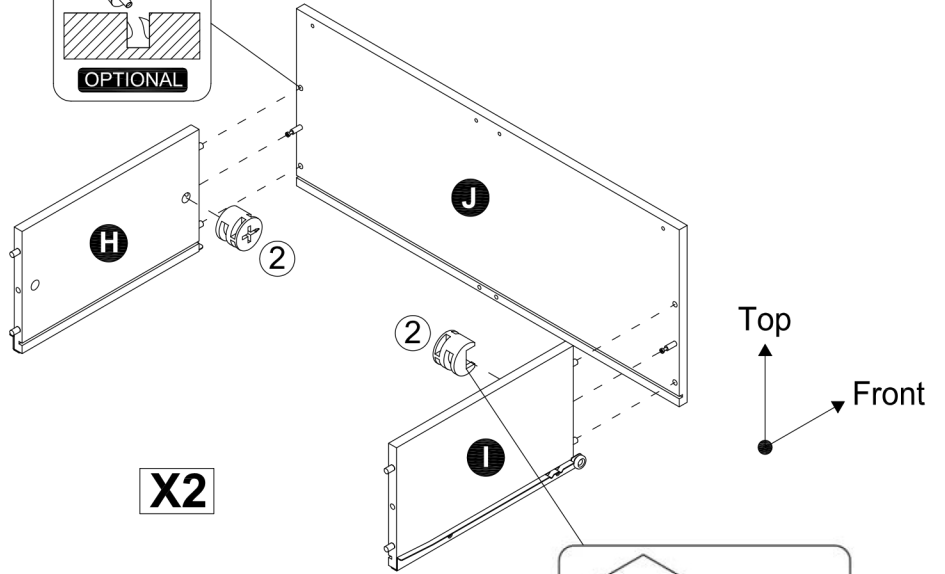
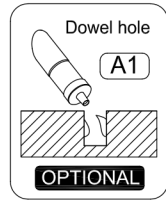
Accessory A6 x 2 sets



ASSEMBLY INSTRUCTIONS

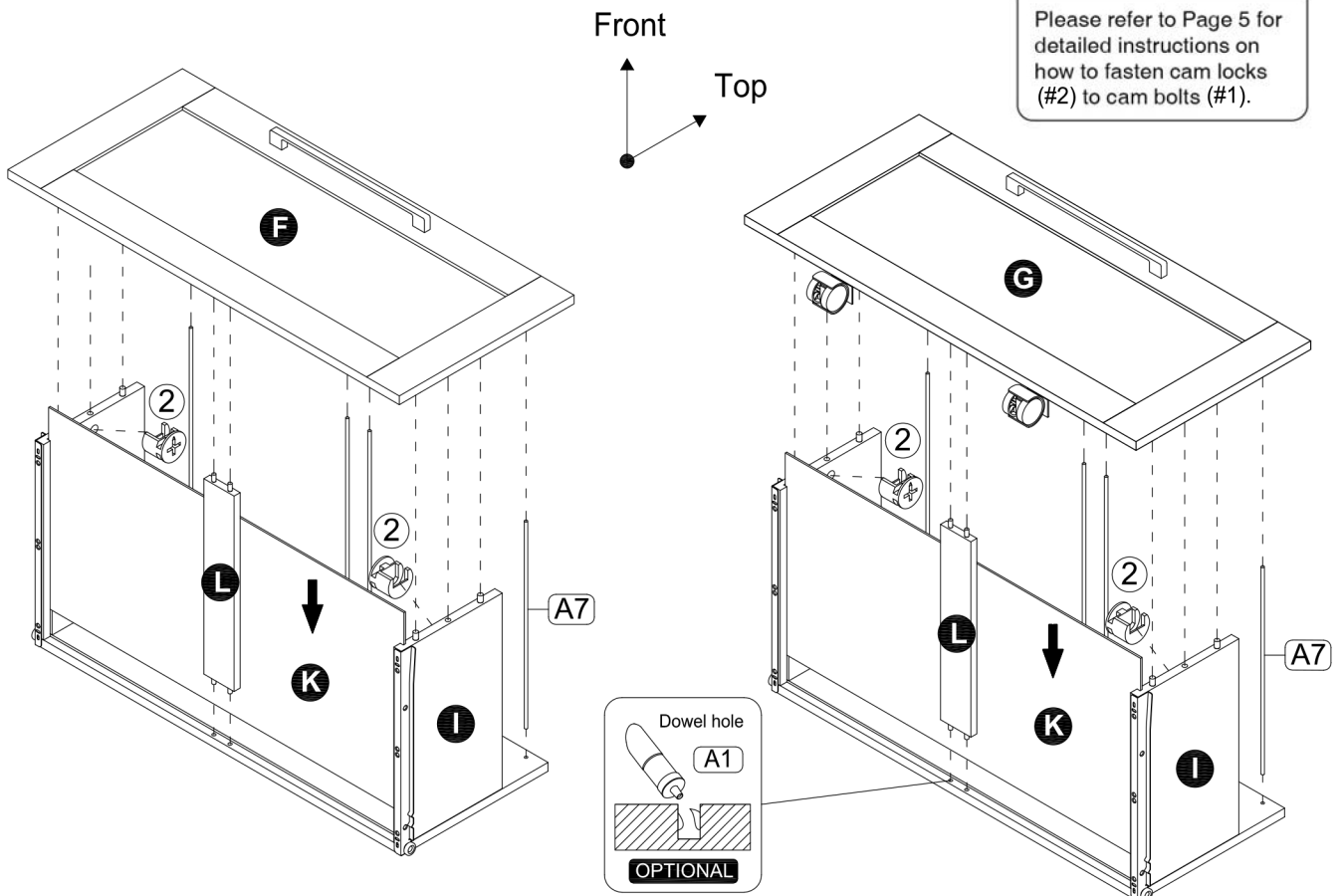
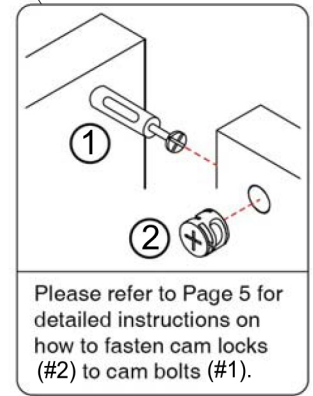
4

- Part **H** x 1 pc
- Part **I** x 1 pc
- Part **J** x 1 pc
- Hardware **2** x 4 pcs



5

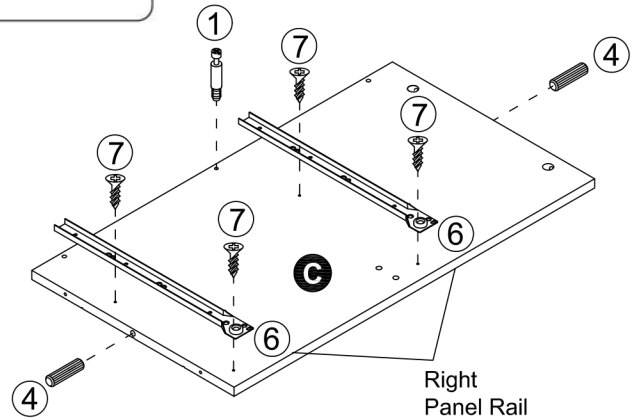
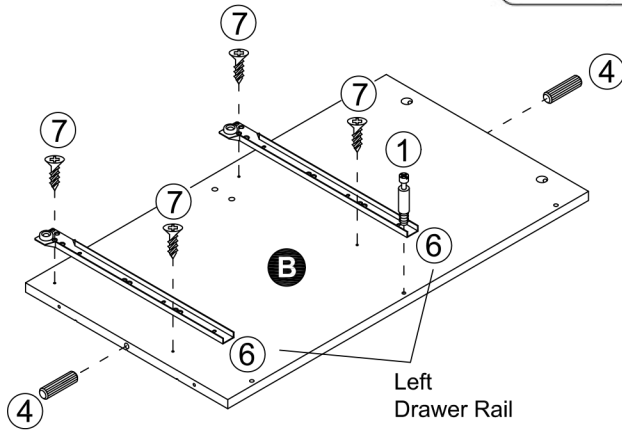
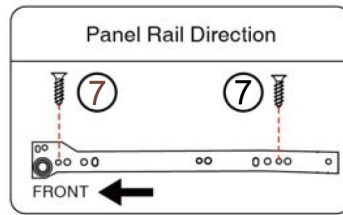
- Part **F** x 1 pc
- Part **G** x 1 pc
- Part **L** x 2 pcs
- Part **K** x 2 pcs
- Hardware **2** x 4 pcs
- Accessory **A7** x 8 pcs



ASSEMBLY INSTRUCTIONS

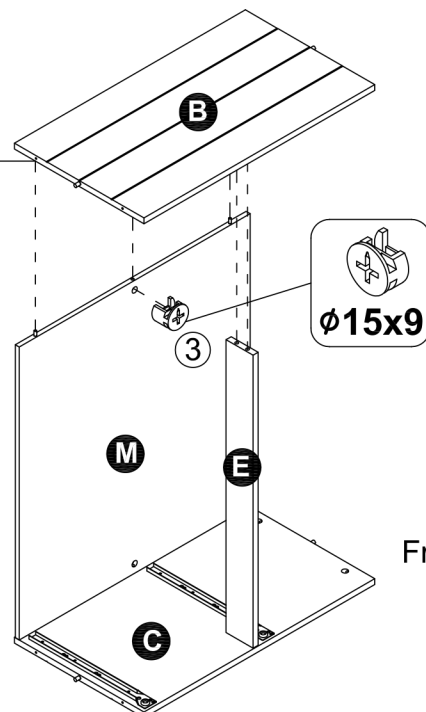
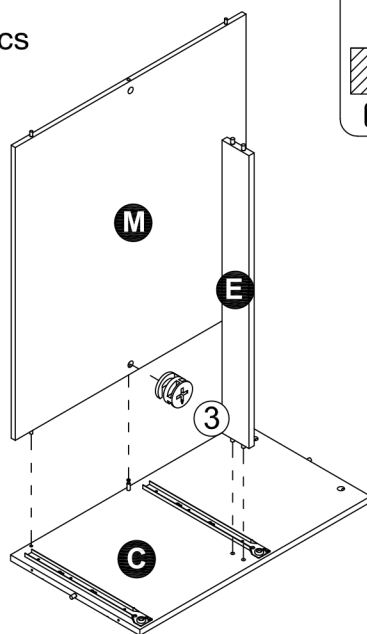
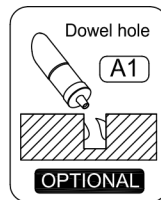
6

- Hardware ① x 2 pcs
- Hardware ④ x 4 pcs (8x30)
- Hardware ⑥ x 4 pcs panel rail
- Hardware ⑦ x 8 pcs



7

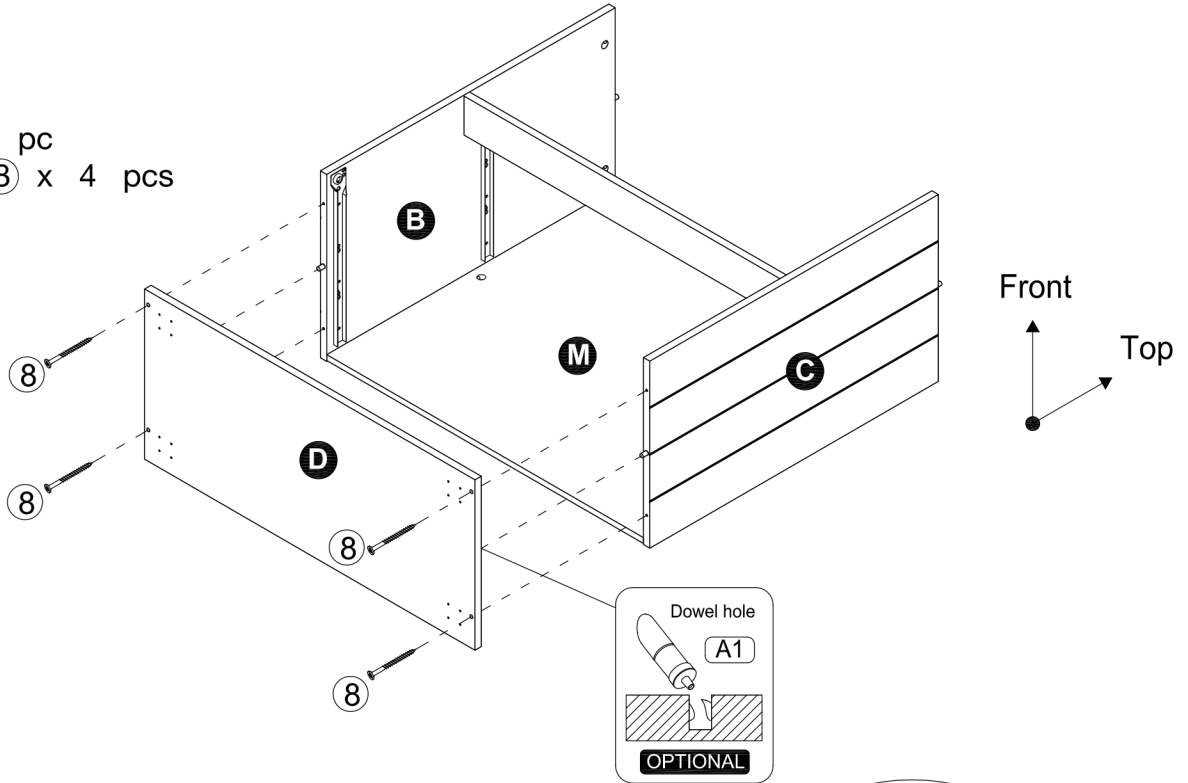
- Part **B** x 1 pc
- Part **C** x 1 pc
- Part **E** x 1 pc
- Part **M** x 1 pc
- Hardware ③ x 2 pcs



ASSEMBLY INSTRUCTIONS

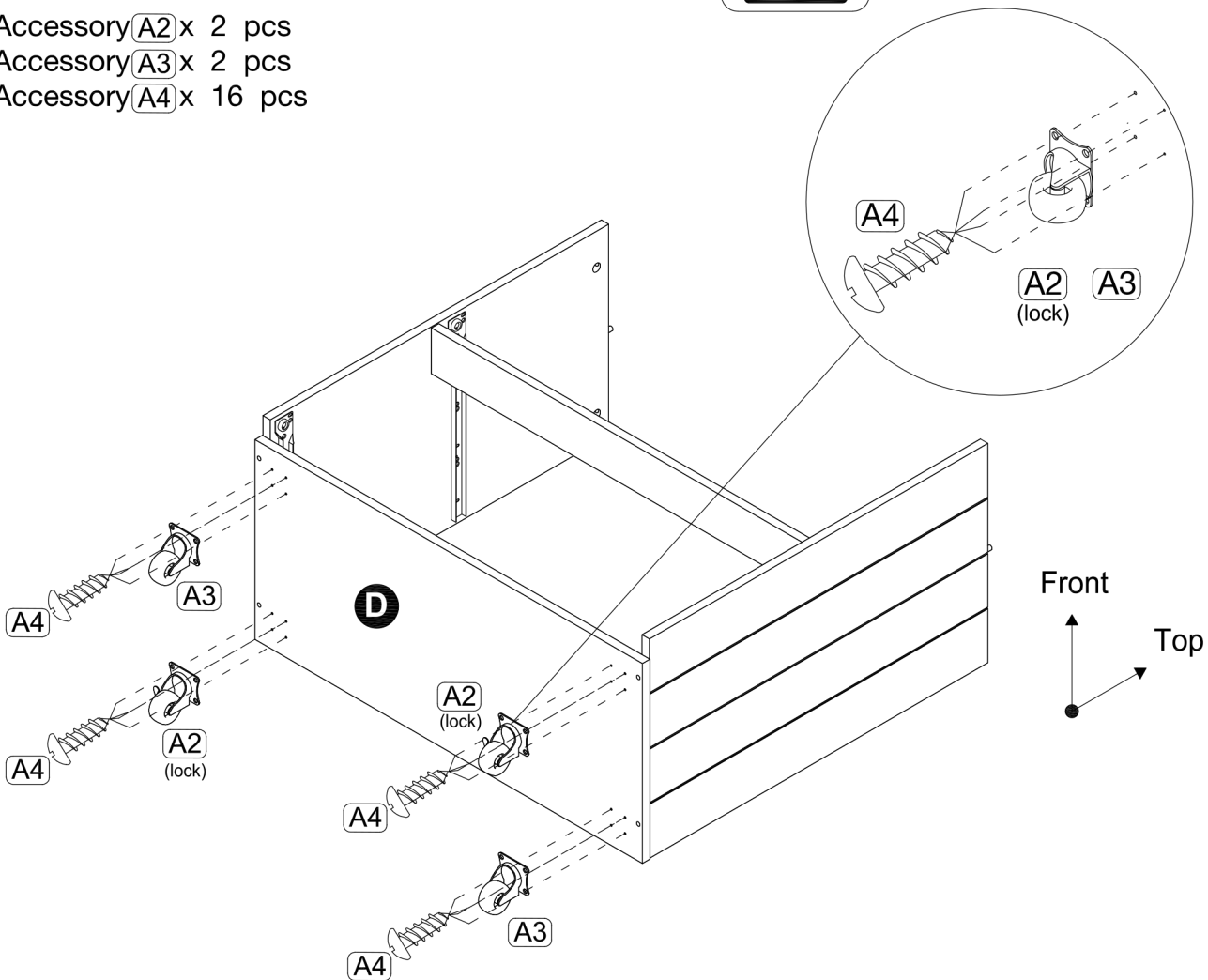
8

Part **D** x 1 pc
Hardware **8** x 4 pcs



9

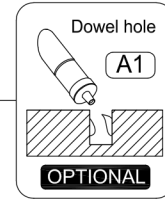
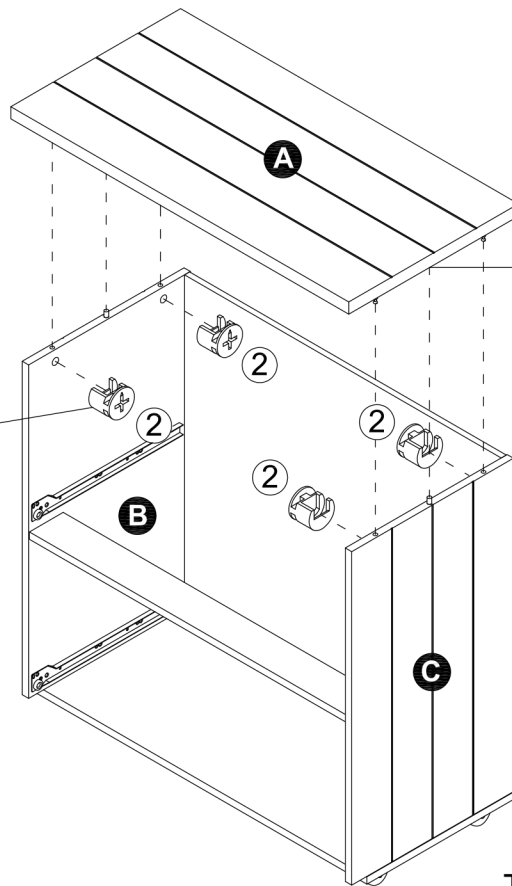
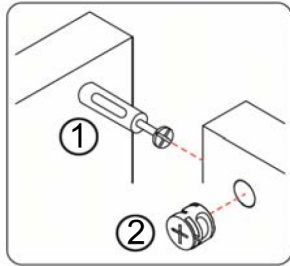
Accessory **A2** x 2 pcs
Accessory **A3** x 2 pcs
Accessory **A4** x 16 pcs



ASSEMBLY INSTRUCTIONS

10

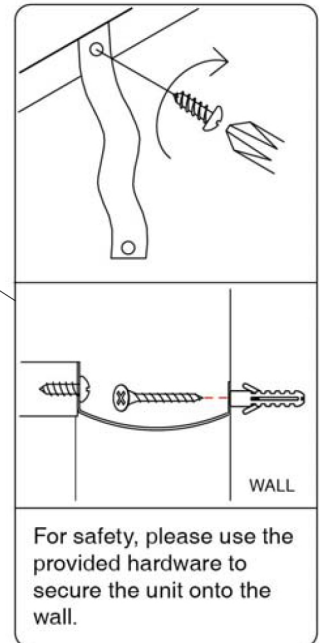
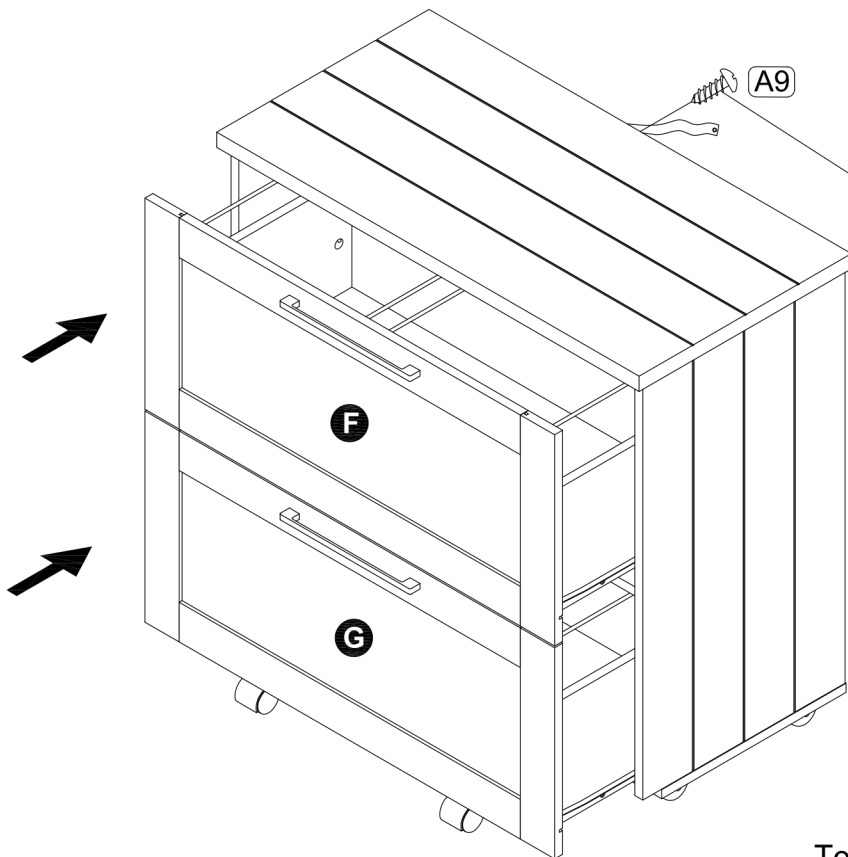
Part **A** x 1 pc
Hardware **2** x 4 pcs



Front
Top

11

Accessory **A9** x 1 set



Front
Top

ASSEMBLY INSTRUCTIONS

13

ASSEMBLY COMPLETED



Please ensure the furniture rests on an even and flat surface. If the product wobbles or feels loose, double-check all bolts and/or screws are properly tightened and secured.



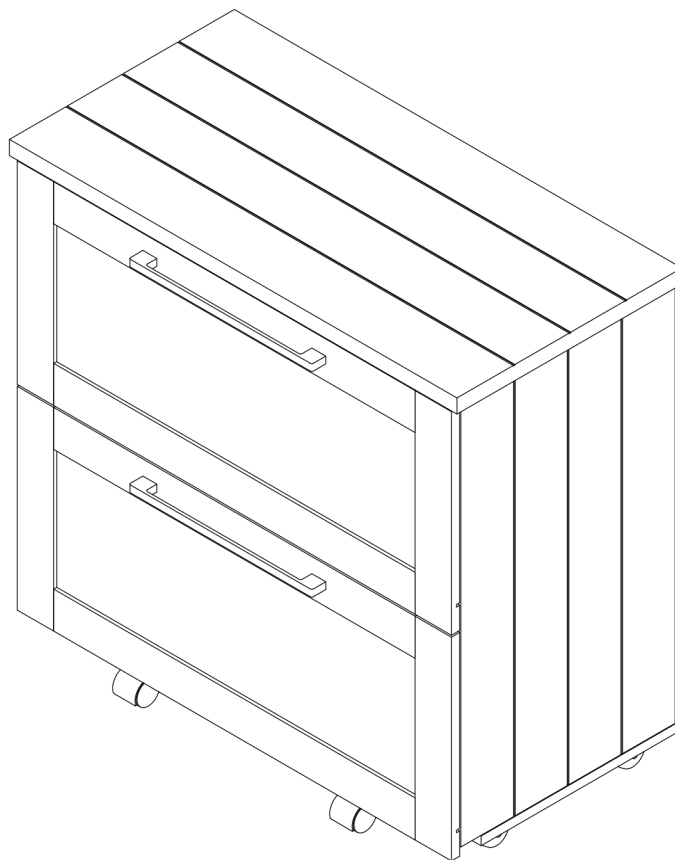
Keep this handy!

Please retain this instruction manual and any order-related information for future reference.



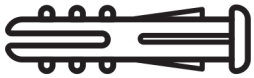
Lift, don't drag!

To avoid damage to product please always LIFT the product when transporting or adjusting the placement.



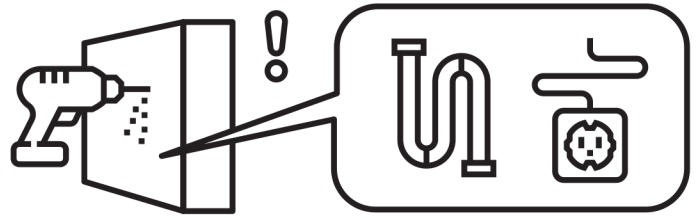
ASSEMBLY INSTRUCTIONS

Wall Mounting and Fixing



EXPANSION WALL ANCHOR

Our provided expansion wall anchors are only suitable for masonry walls, such as drywall, plaster or concrete, and are best for holding lightweight items or for anti-tip prevention. If you are unsure of the correct wall anchor to use with the product, please request professional guidance. Liability for product damage or failure due to using the incorrect anchors will fall on the installer.

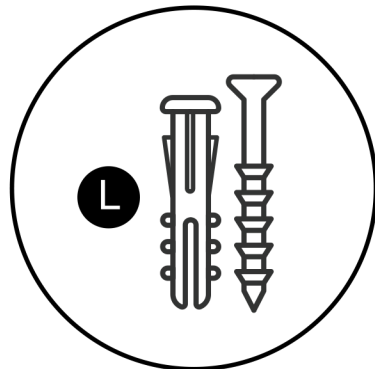


CHECK BEFORE PROCEEDING

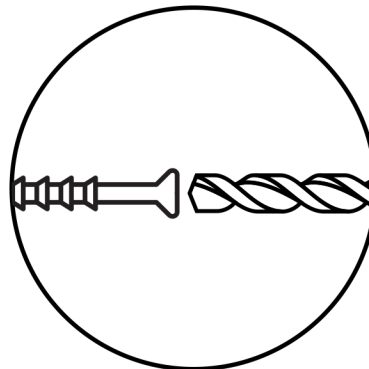
Prior to drilling or hammering, please check for wires or pipes. We recommend using a stud finder to locate a stud, which will offer more appropriate resistance and hold more weight.

QUICK TIPS

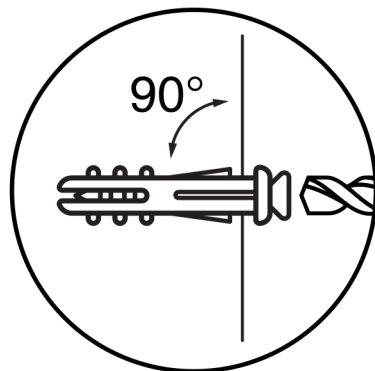
1. If unsure of the proper size, always choose a larger screw and wall anchor.



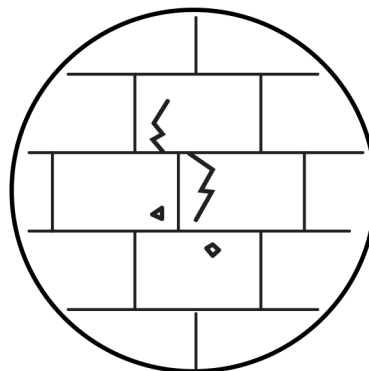
2. Match the drill bit to the wall anchor and hole size.



3. Only drill horizontally. Do not force the drill or enlarge the hole for the wall anchor.



4. Take extra care when drilling into high walls or ceramic tiles. Wall anchors should be a tight fit for the hole. Never use wall anchors in ceilings.



MAINTENANCE



We recommend a yearly check to see if the wall anchor or screw has loosened. If so, please remove the existing wall anchor and screw, and use a new anchor.