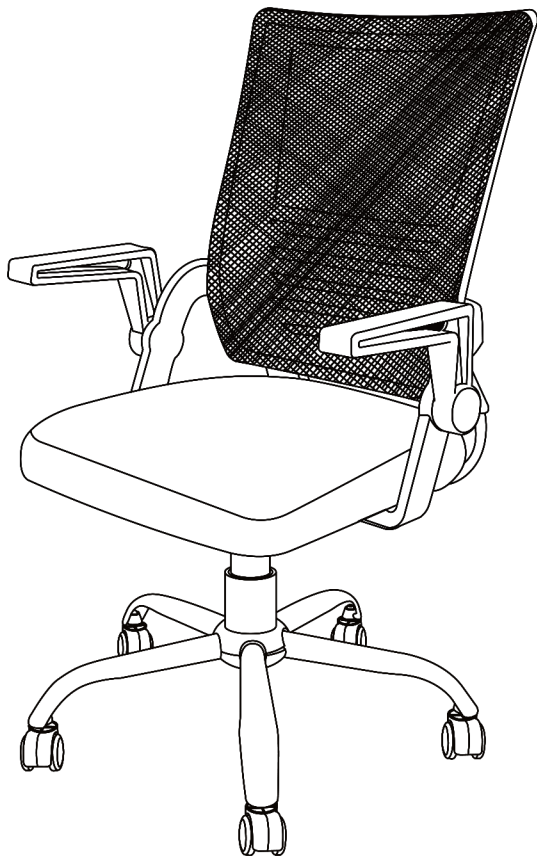


# ASSEMBLY INSTRUCTIONS

---



## TOOLS REQUIRED



### Hammer

(Not Included)



### Philips Screwdriver

(Not Included)



**2 - Persons  
Recommended**

## ASSEMBLY RATING



EASY —————> DIFFICULT

The Assembly Rating is a 5-point system showing the level of effort needed to assemble a specific product.



## **CHECK BEFORE STARTING**

### **Are you missing anything?**

Double-check all parts, hardware and accessories listed on Page 6 are accounted for.

### **Should we send any replacements?**

Are there any irregularities or flaws in the parts? We can send replacements!

### **Check out our Quick Tips!**

We recommend reviewing the pre-assembly handouts. Even experts need a refresher now and then!

### **Prep Time!**

Please review the assembly instructions and all diagrams prior to assembling. Arrange parts as recommended on Page 7 and group identical hardware together to make assembling easier.

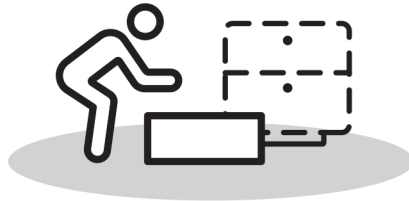
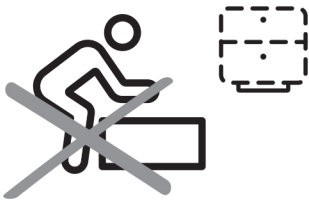
# PRE ASSEMBLY INTRODUCTION

We understand building ready-to-assemble furniture can be a challenging experience for some. To help avoid confusion, we have provided some helpful tips that may speed up the process.



## Teamwork

ALWAYS have at least two people to help with transporting and assembling the product to avoid potential injury and/or damage.



## Suitable Location

Assembling near the area of the intended location is highly recommended.



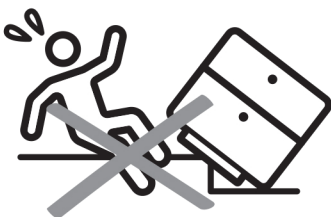
## Sufficient Space

Make sure you have enough space to move around during the assembly.



## Avoid Scratches

Use cardboard, blankets or a carpeted area while assembling furniture to prevent scratches.



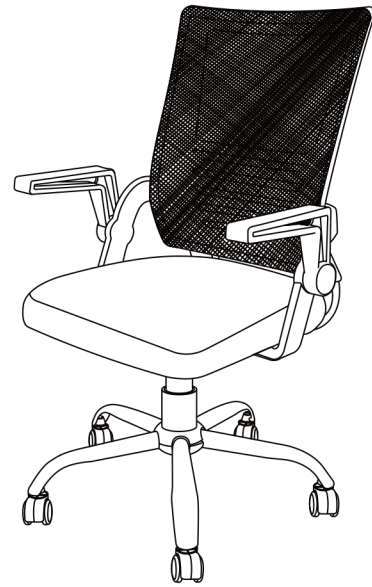
## Flat Surface

Make sure the furniture rests on a flat and level surface with each leg evenly touching the floor.

# OFFICE CHAIR

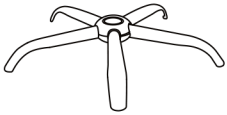


- Please keep instructions for future reference.
- Check the quantity and irregularity of parts and hardware before you start.

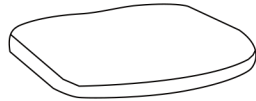


## PARTS

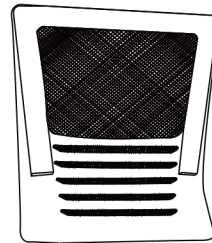
A 1PC



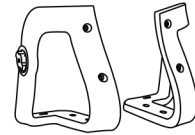
B 1PC



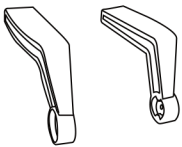
C 1PC



D 2PCS

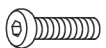


E 2PCS



## HARDWARE

① 2PCS



② 4PCS



③ 6PCS



④ 4PCS



⑤ 2PCS



## ACCESSORIES

A1 5PCS



A2 1PC



A3 1PC



A4 1PC

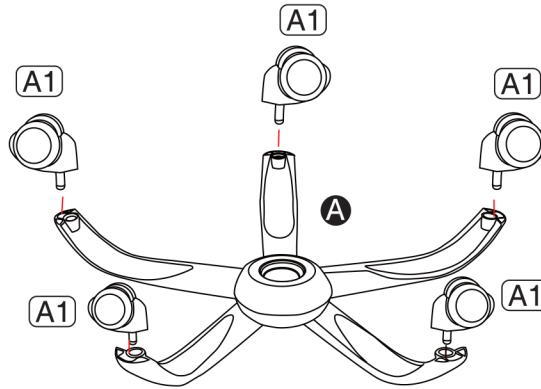


# ASSEMBLY INSTRUCTIONS

# 1

Part **A** x1PC

Accessory **A1** x 5 PCS

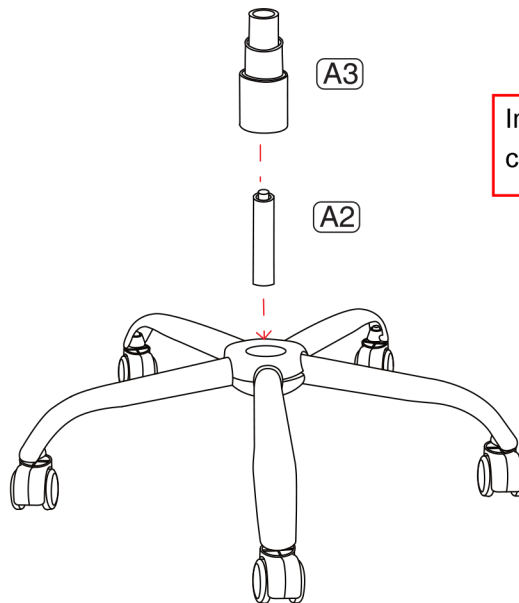


Attach casters (#A1) to five star base (#A).

# 2

Accessory **A2** x 1 PC

Accessory **A3** x 1 PC

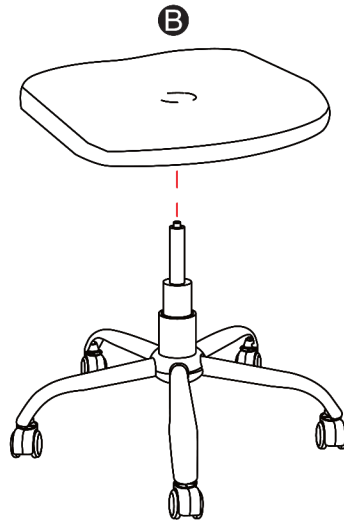


Insert gas cylinder (#A2), then cylinder cover (#A3) to five star base.

# ASSEMBLY INSTRUCTIONS

## 3

Part **B** x1PC

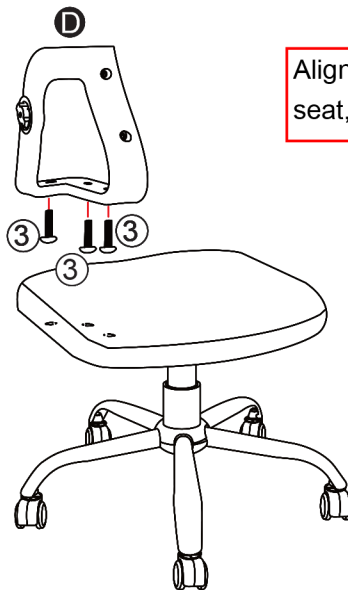


Attach seat (#B) to gas cylinder.

## 4

Part **D** x1PC

Hardware **3** x 3 PCS

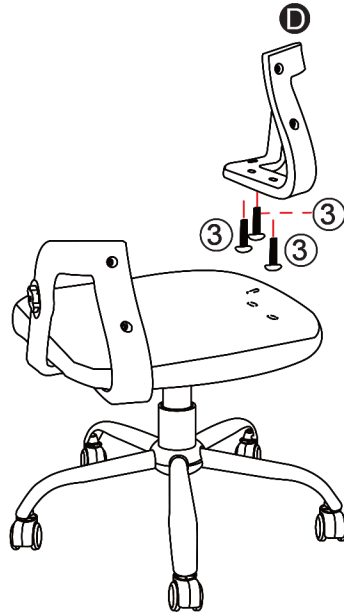


Align chair connector (#D) holes to the bottom of the seat, then secure by using bolts (#3).

# ASSEMBLY INSTRUCTIONS

## 5

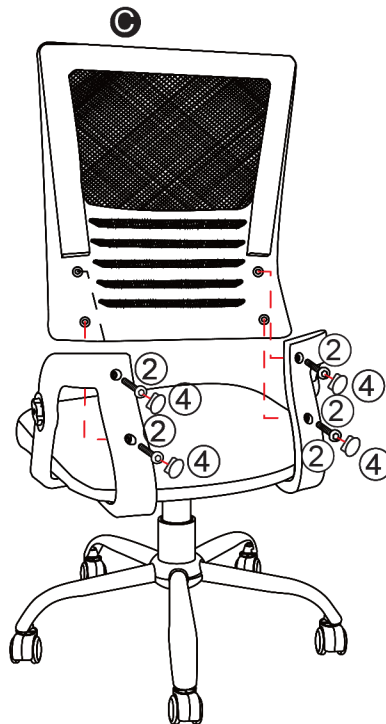
Part **D** x1PC  
Hardware **3** x 3 PCS



Align chair connector (#D) holes to the bottom of the seat, then secure by using bolts (#3).

## 6

Part **C** x1PC  
Hardware **2** x 4 PCS  
Hardware **4** x 4 PCS

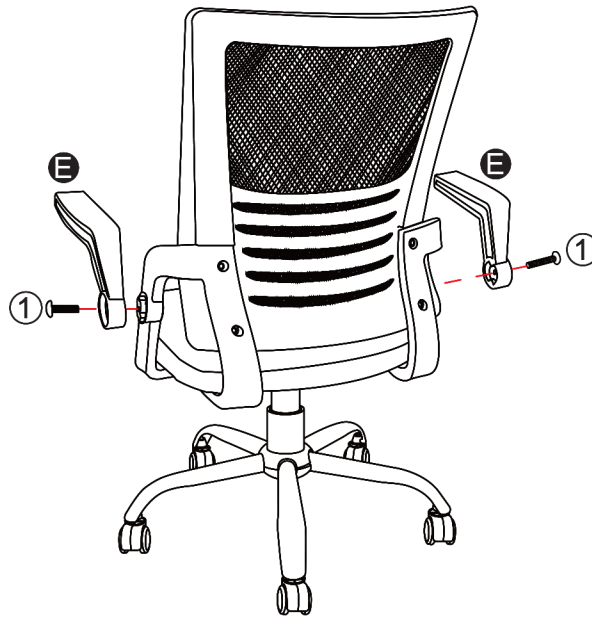


Align chair back (#C) to the holes of the chair connector, then secure by using bolts (#2) with bolt caps (#4).

# ASSEMBLY INSTRUCTIONS

## 7

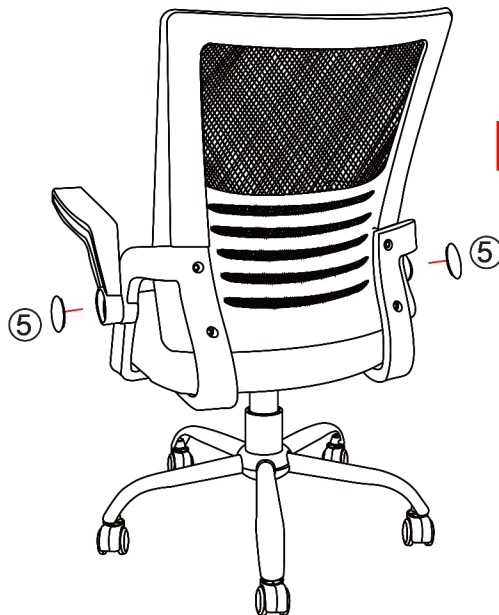
Part **E** x 2 PCS  
Hardware **1** x 2 PCS



Align armrests (#E) to the chair connectors, then secure by using bolts (#1).

## 8

Hardware **5** x 2 PCS



Cover bolts on armrest with bolt covers (#5).



# ASSEMBLY INSTRUCTIONS

# 9

## ASSEMBLY COMPLETED



Please ensure the furniture rests on an even and flat surface. If the product wobbles or feels loose, double-check all bolts and/or screws are properly tightened and secured.



### **Keep this handy!**

Please retain this instruction manual and any order-related information for future reference.

