

ASSEMBLY INSTRUCTIONS



TOOLS REQUIRED



Hammer

(Not Included)



Philips Screwdriver

(Not Included)



**2 - Persons
Recommended**

ASSEMBLY RATING



EASY —————> DIFFICULT

The Assembly Rating is a 5-point system showing the level of effort needed to assemble a specific product.



CHECK BEFORE STARTING

Are you missing anything?

Double-check all parts, hardware and accessories listed on Page 6 are accounted for.

Should we send any replacements?

Are there any irregularities or flaws in the parts? We can send replacements!

Check out our Quick Tips!

We recommend reviewing the pre-assembly handouts. Even experts need a refresher now and then!

Prep Time!

Please review the assembly instructions and all diagrams prior to assembling. Arrange parts as recommended on Page 7 and group identical hardware together to make assembling easier.

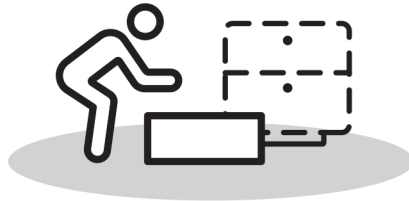
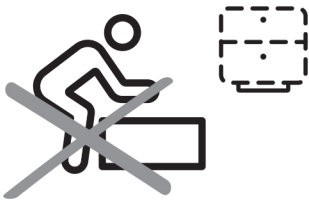
PRE ASSEMBLY INTRODUCTION

We understand building ready-to-assemble furniture can be a challenging experience for some. To help avoid confusion, we have provided some helpful tips that may speed up the process.



Teamwork

ALWAYS have at least two people to help with transporting and assembling the product to avoid potential injury and/or damage.



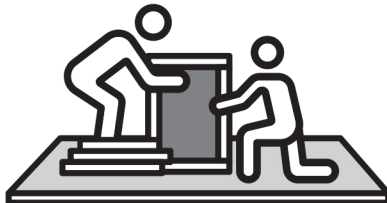
Suitable Location

Assembling near the area of the intended location is highly recommended.



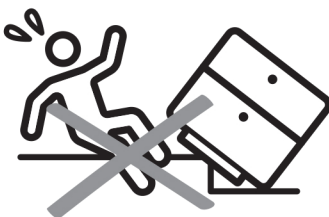
Sufficient Space

Make sure you have enough space to move around during the assembly.



Avoid Scratches

Use cardboard, blankets or a carpeted area while assembling furniture to prevent scratches.



Flat Surface

Make sure the furniture rests on a flat and level surface with each leg evenly touching the floor.

OFFICE CHAIR

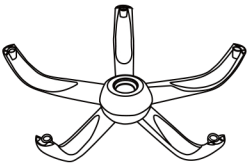


- Please keep instructions for future reference.
- Check the quantity and irregularity of parts and hardware before you start.

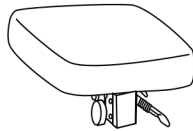


PARTS

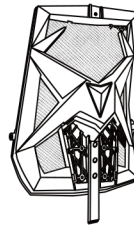
A 1PC



B 1PC



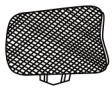
C 1PC



D 1PC



E 1PC



F 1PC



G 1PC



HARDWARE

① 4PCS



② 4PCS



ACCESSORIES

A1 5PCS



A2 1PC



A3 1PC



A4 1PC



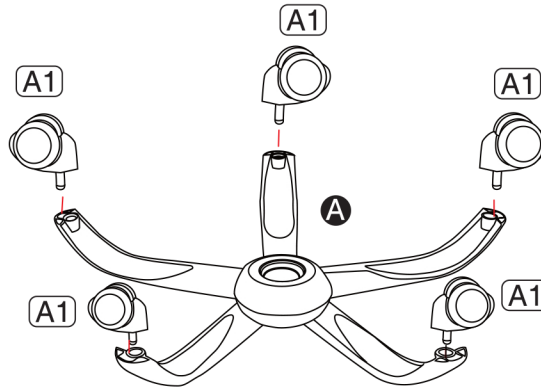
ASSEMBLY INSTRUCTIONS

1

Part **A** x1PC

Accessory **A1** x 5 PCS

Attach casters (#A1) to five star base (#A).

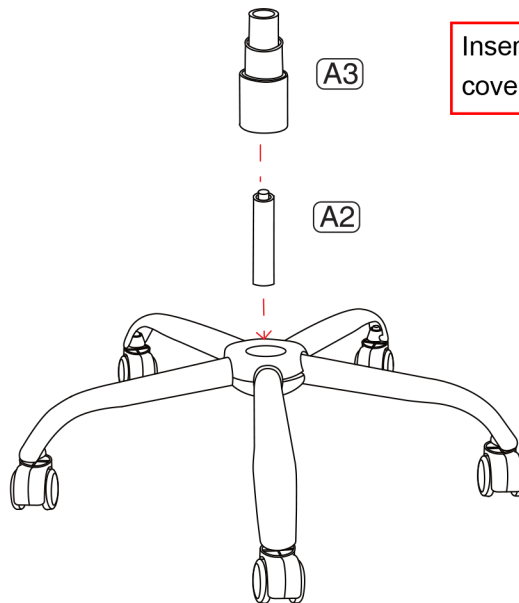


2

Accessory **A2** x 1 PC

Accessory **A3** x 1 PC

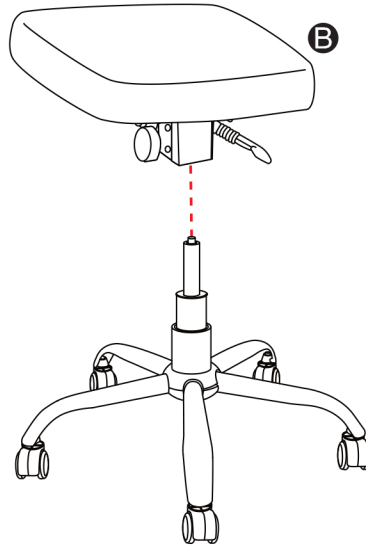
Insert gas cylinder (#A2), then cylinder cover (#A3) to five star base.



ASSEMBLY INSTRUCTIONS

3

Part **B** x1PC

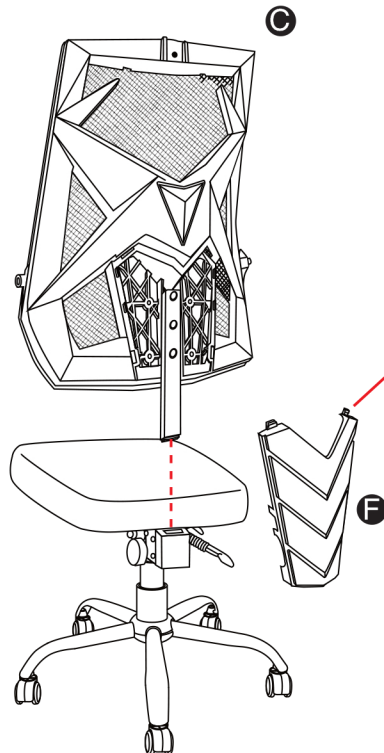


Attach seat (#B) to gas cylinder.

4

Part **C** x1PC

Part **F** x1PC



Align backrest (#C) to the seat.

Clip the cover
from its bottom
to the top

ASSEMBLY INSTRUCTIONS

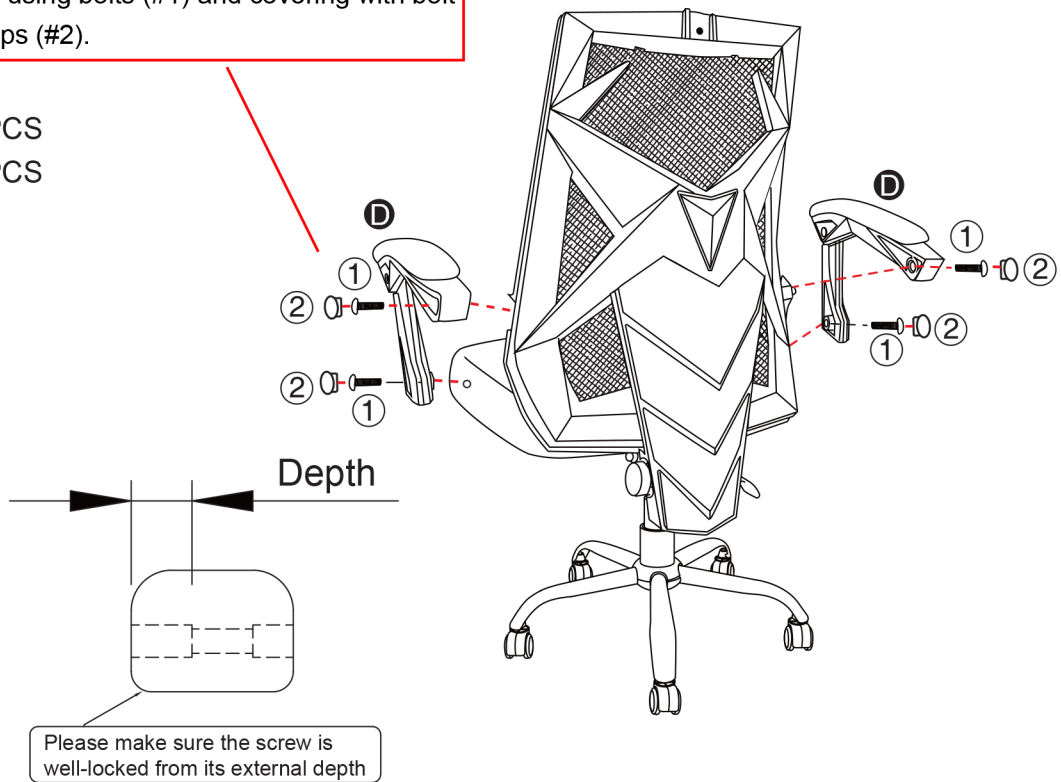
5

Hardware ① x 4 PCS

Hardware ② x 4 PCS

Part ④ x 2 PCS

Align armrests (#D) to chair, then secure by using bolts (#1) and covering with bolt caps (#2).

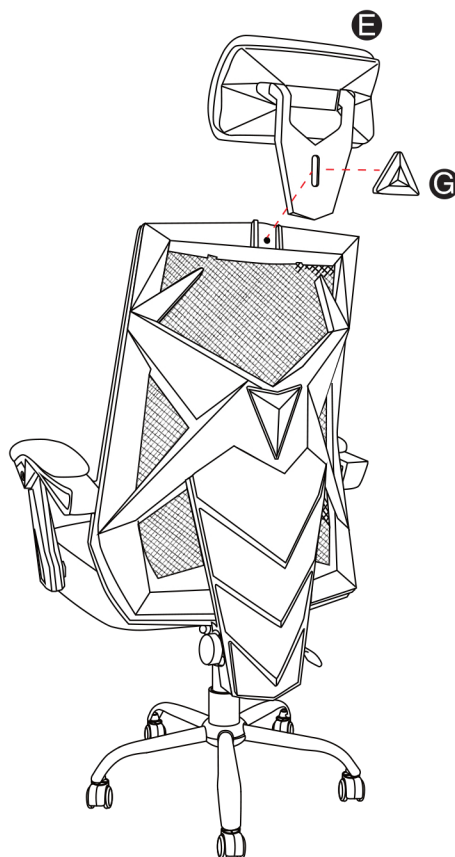


6

Part ⑤ x 1PC

Part ⑥ x 1PC

Align headrest (#E) to the chair back, then secure by using triangle (#G).



ASSEMBLY INSTRUCTIONS

7

ASSEMBLY COMPLETED



Please ensure the furniture rests on an even and flat surface. If the product wobbles or feels loose, double-check all bolts and/or screws are properly tightened and secured.



Keep this handy!

Please retain this instruction manual and any order-related information for future reference.

