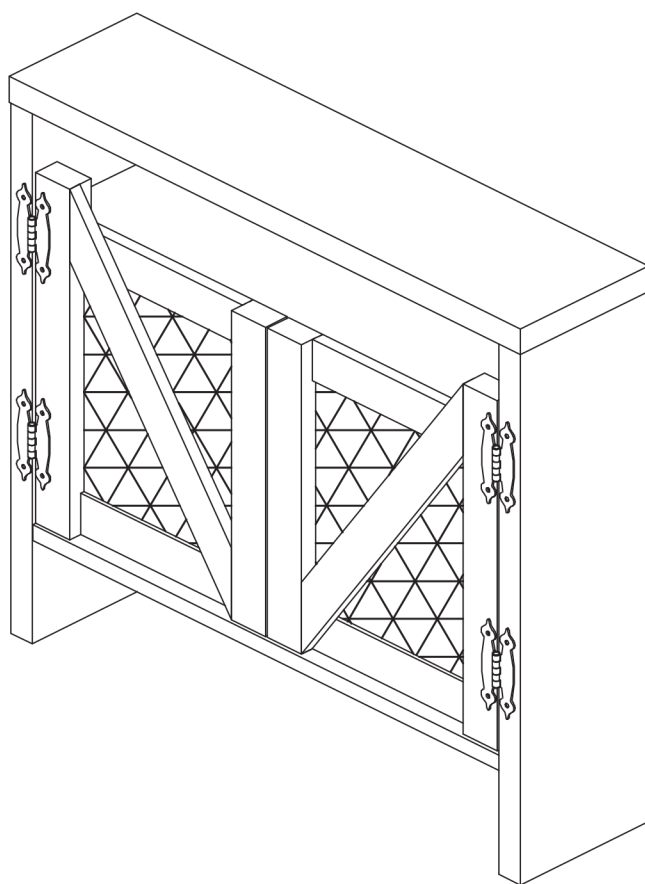


ASSEMBLY INSTRUCTIONS



TOOLS REQUIRED



Hammer

(Not Included)



**Philips
Screwdriver**

(Not Included)



**2 - People
Recommended**

ASSEMBLY RATING



EASY → DIFFICULT

The Assembly Rating is a 5-point system showing the level of effort needed to assemble a specific product.



CHECK BEFORE STARTING

Are you missing anything?

Double-check all parts, hardware and accessories listed on Page 6 are accounted for.

Should we send any replacements?

Are there any irregularities or flaws in the parts? We can send replacements!

Check out our Quick Tips!

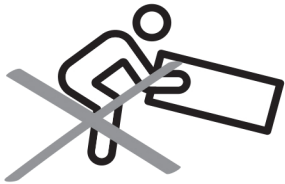
We recommend reviewing the pre-assembly handouts. Even experts need a refresher now and then!

Prep Time!

Please review the assembly instructions and all diagrams prior to assembling. Arrange parts as recommended on Page 7 and group identical hardware together to make assembling easier.

PRE ASSEMBLY INTRODUCTION

We understand building ready-to-assemble furniture can be a challenging experience for some. To help avoid confusion, we have provided some helpful tips that may speed up the process.



Teamwork

ALWAYS have at least two people to help with transporting and assembling the product to avoid potential injury and/or damage.



Suitable Location

Assembling near the area of the intended location is highly recommended.



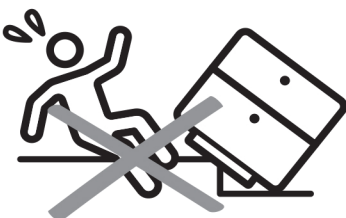
Sufficient Space

Make sure you have enough space to move around during the assembly.



Avoid Scratches

Use cardboard, blankets or a carpeted area while assembling furniture to prevent scratches.



Flat Surface

Make sure the furniture rests on a flat and level surface with each leg evenly touching the floor.

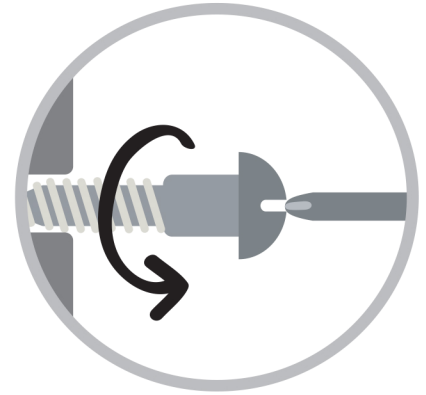
ASSEMBLY AND CARE ADVICE



**FAILURE TO FOLLOW THE GUIDELINES BELOW MAY
RESULT IN INJURY AND/OR PROPERTY DAMAGE.**



Position each part correctly
and insert screws or bolts into
their respective holes.



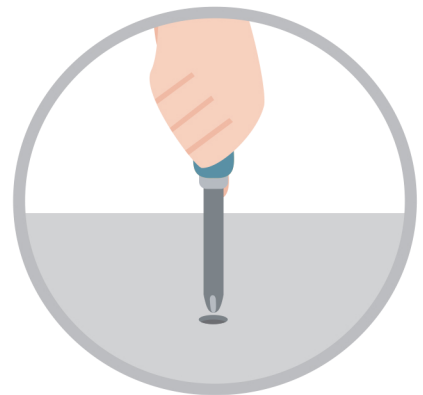
Turn clockwise to tighten and
only tighten when step is
completed or when instructed
to do so.



Use the appropriate hand tools
or power tools for assembly.
Select steps, such as tightening
screws and/or bolts, may require
hand tools to avoid causing
damage during assembly.



Save the instructions and store
any supplied tools for later
maintenance.



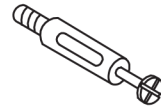
After two weeks, check and
tighten any loose hardware and
repeat again every six months
thereafter.

IT IS THE USER'S RESPONSIBILITY TO MAINTAIN THE FURNITURE. THE HARDWARE MAY LOOSEN OVER TIME AND MAY CAUSE THE FURNITURE TO BE WOBBLY AND UNABLE TO SUPPORT ITS INTENDED WEIGHT CAPACITY. THIS MAY LEAD TO COLLAPSE AND MAY CAUSE SERIOUS INJURY.

CAM LOCK FASTENER ASSEMBLY INSTRUCTIONS

Note :

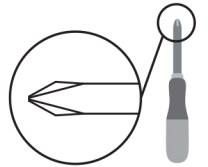
Every cam lock bolt must have a cam lock connector in order to fasten the parts together.



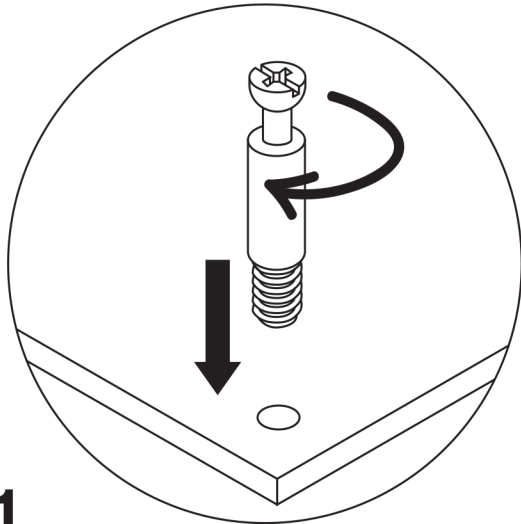
cam bolt



cam lock

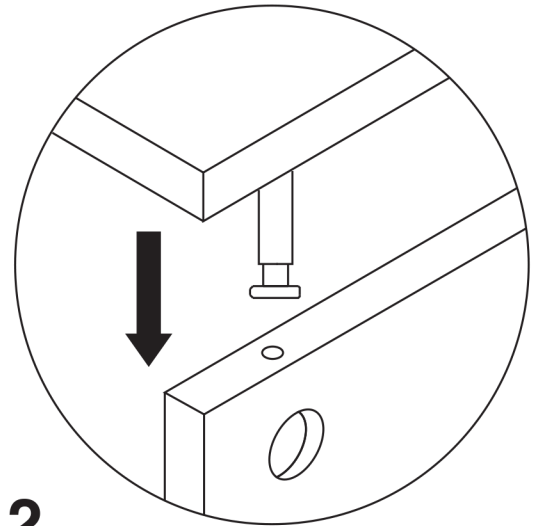


screwdriver



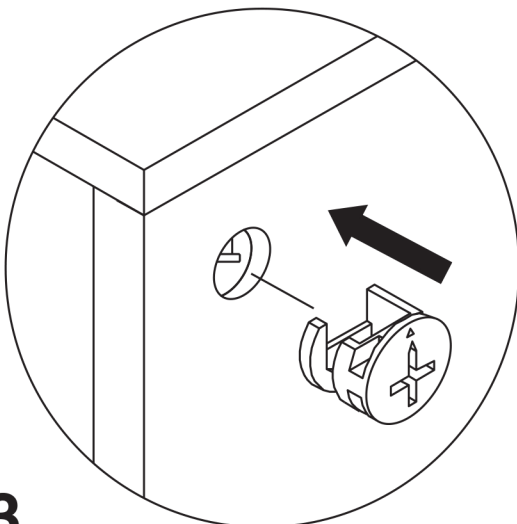
1

Screw the cam bolt into panel.



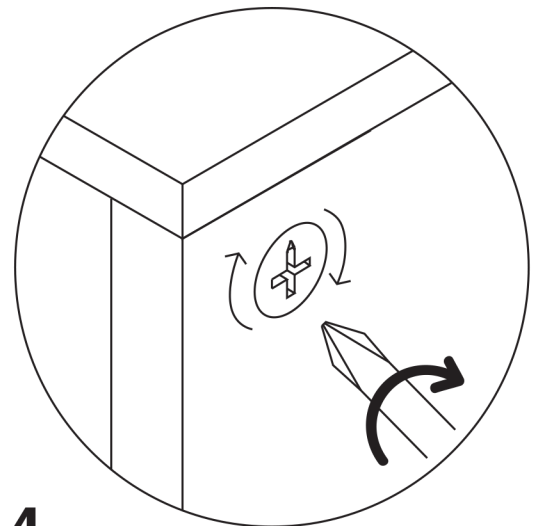
2

Insert the cam bolt into the bolt hole of joint panel.



3

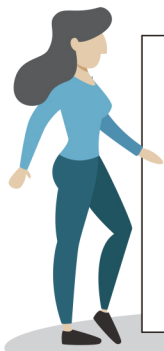
Align the cam lock with its side opening (or arrow) pointing to cam bolt.



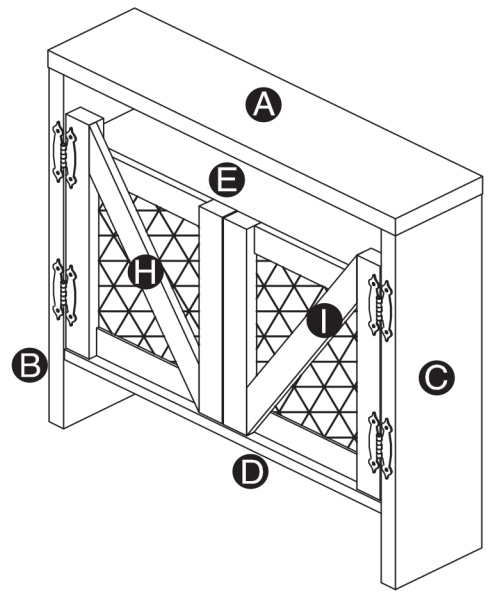
4

Turn the cam lock clockwise gently until it will not turn any more.

WALL CABINET



- Please keep instructions for future reference.
- Check the quantity and irregularity of parts and hardware before you start.



PARTS

A 1PC



B 1PC



C 1PC



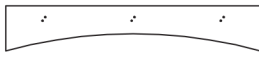
D 1PC



E 1PC



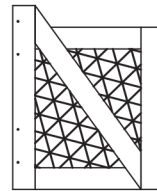
F 1PC



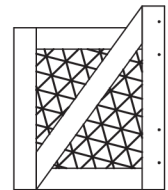
G 1PC



H 1PC

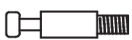


I 1PC



HARDWARE

① 12PCS



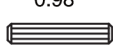
② 12PCS

0.47"



③ 5PCS

0.98"



④ 4PCS



⑤ 16PCS

(BK)



⑥ 1PC



⑦ 2PCS



ACCESSORIES

A1 3PCS



A2 6PCS

0.47"



A3 4PCS



A4 2PCS

1.26"



A5 2PCS



A6 2PCS



A7 4PCS



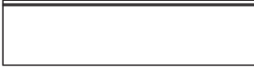
A8 1PC



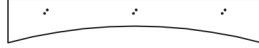
GET READY

Please group boards as below.

D1PC



F1PC



B1PC



E1PC



C1PC



G1PC

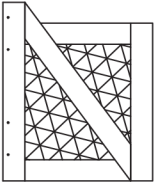


A1PC

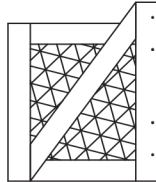


Body

H1PC



I1PC



Doors

ASSEMBLY INSTRUCTIONS

1

Hardware ① x 12PCS

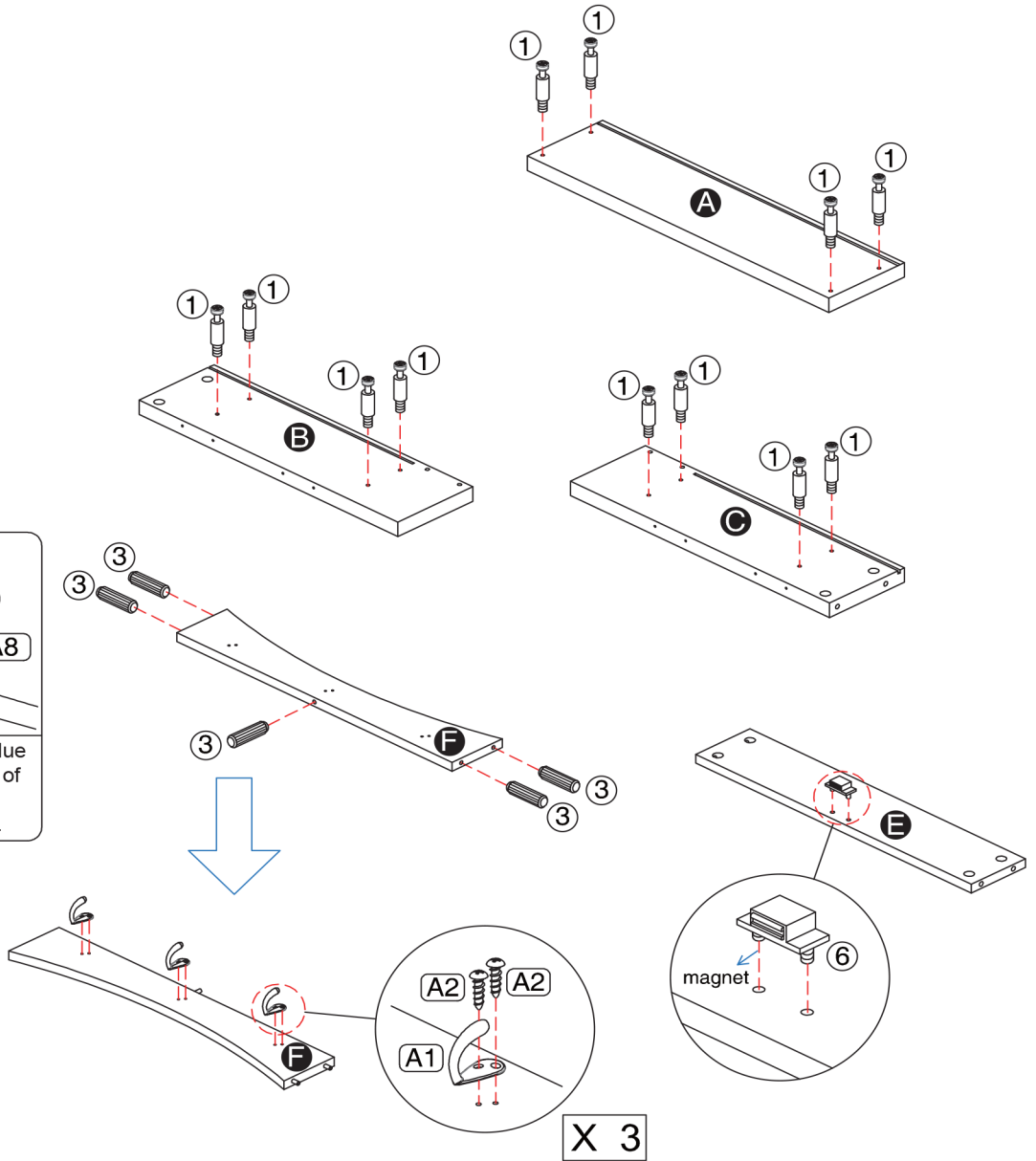
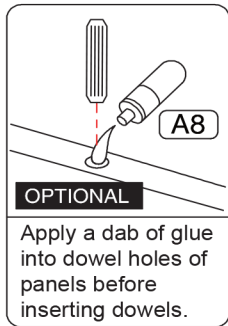
Hardware ③ x 5PCS

Hardware ⑥ x 1PC

Accessory A1 x 3PCS

Accessory A2 x 6PCS

Accessory A8 x 1PC

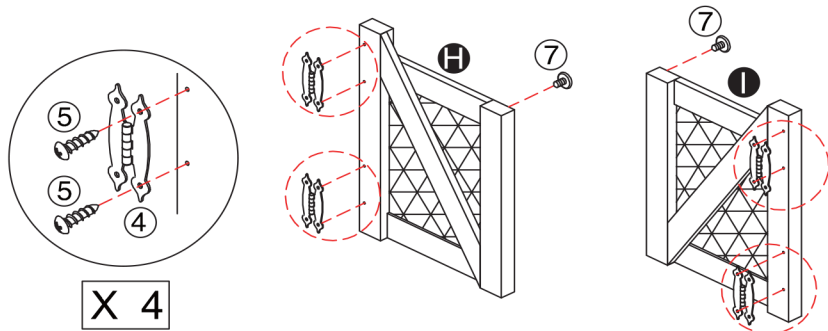


2

Hardware ④ x 4PCS

Hardware ⑤ x 8PCS

Hardware ⑦ x 2PCS

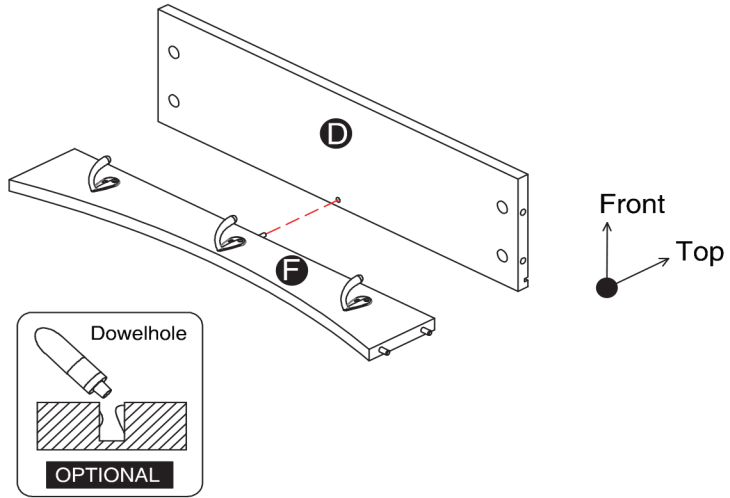


ASSEMBLY INSTRUCTIONS

3

Part **D** x1PC

Part **F** x1PC

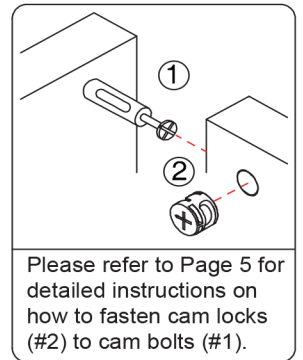
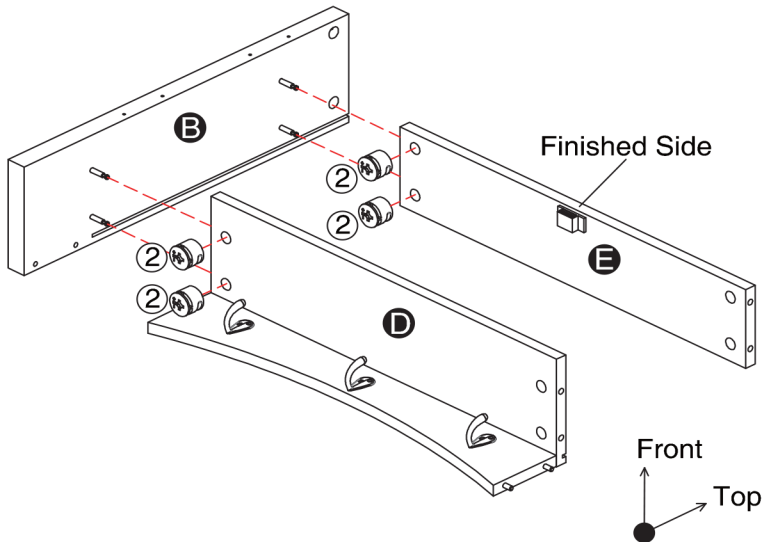


4

Part **B** x1PC

Part **E** x1PC

Hardware ② x 4PCS

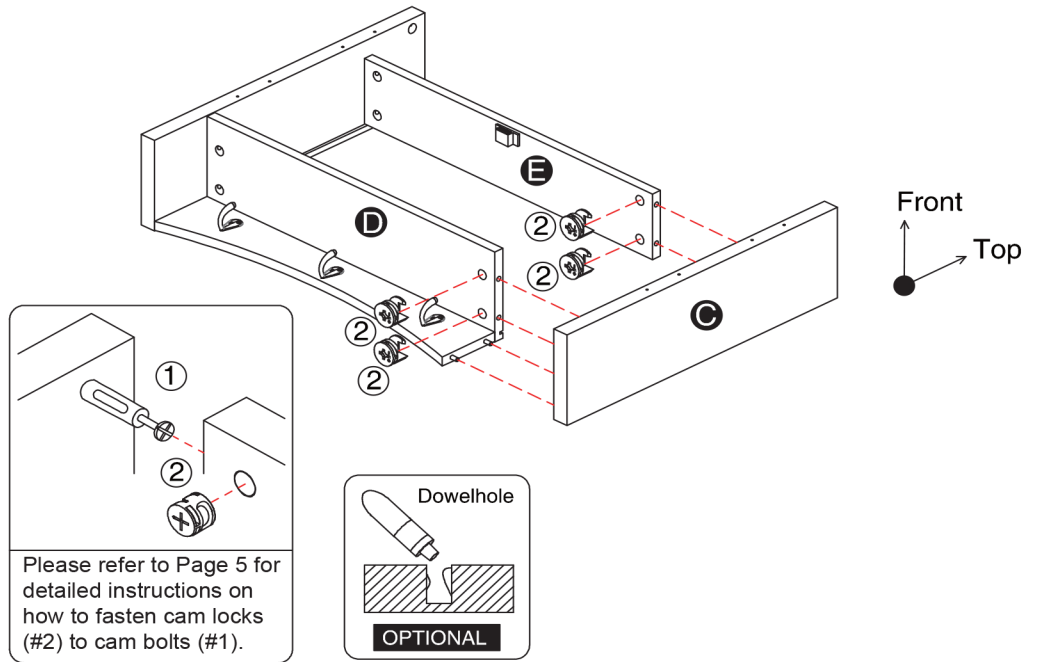


ASSEMBLY INSTRUCTIONS

5

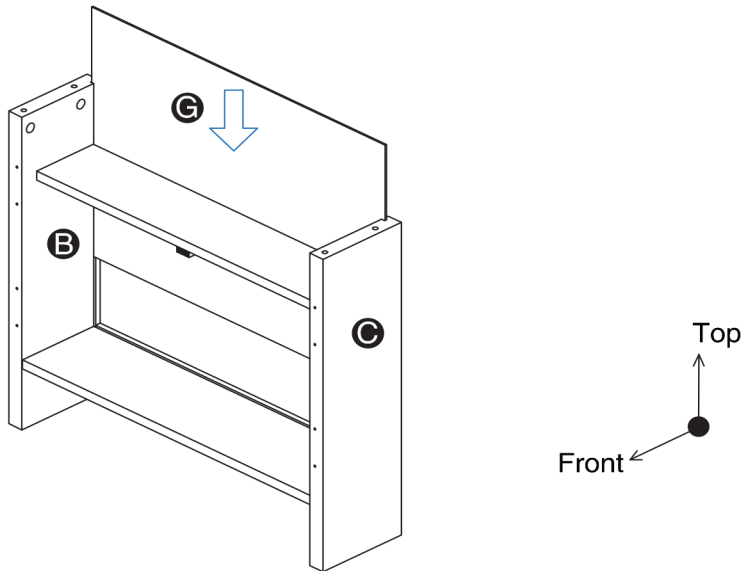
Part **C** x1PC

Hardware **2**x 4PCS



6

Part **G** x1PC



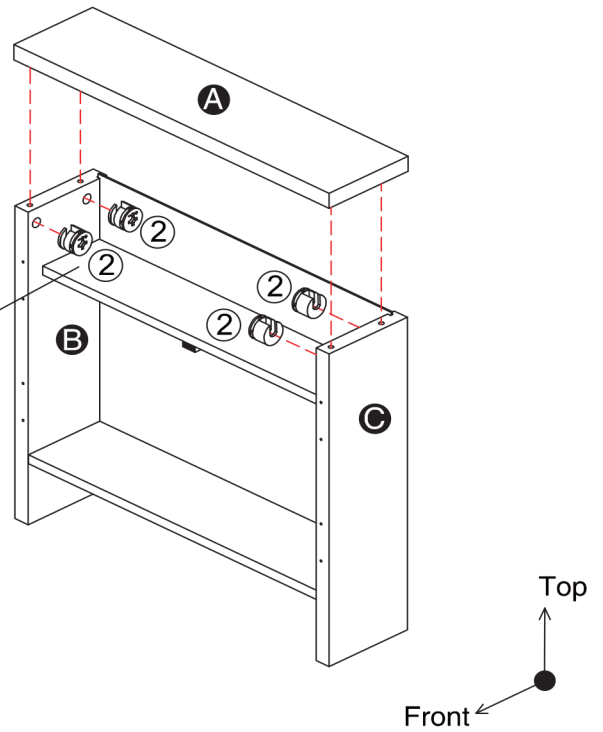
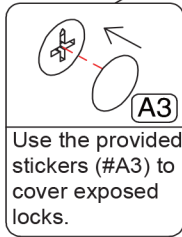
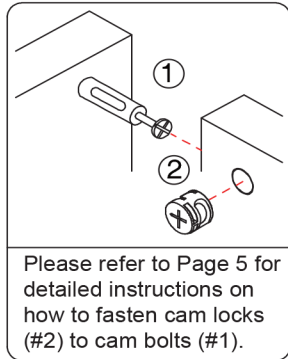
ASSEMBLY INSTRUCTIONS

7

Part **A** x1PC

Hardware **②** x 4PCS

Accessory **(A3)** x 4PCS

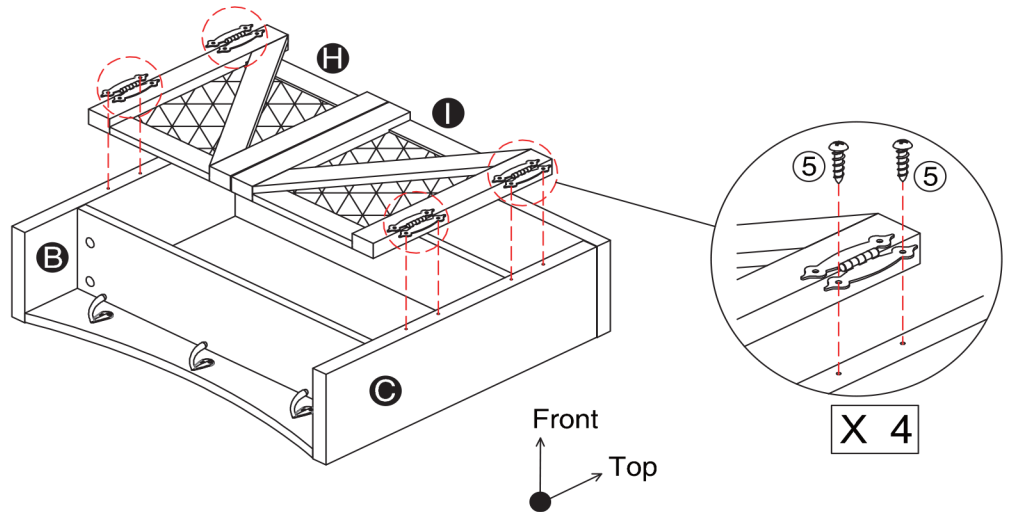


8

Part **H** x1PC

Part **I** x1PC

Hardware **⑤** x 8PCS

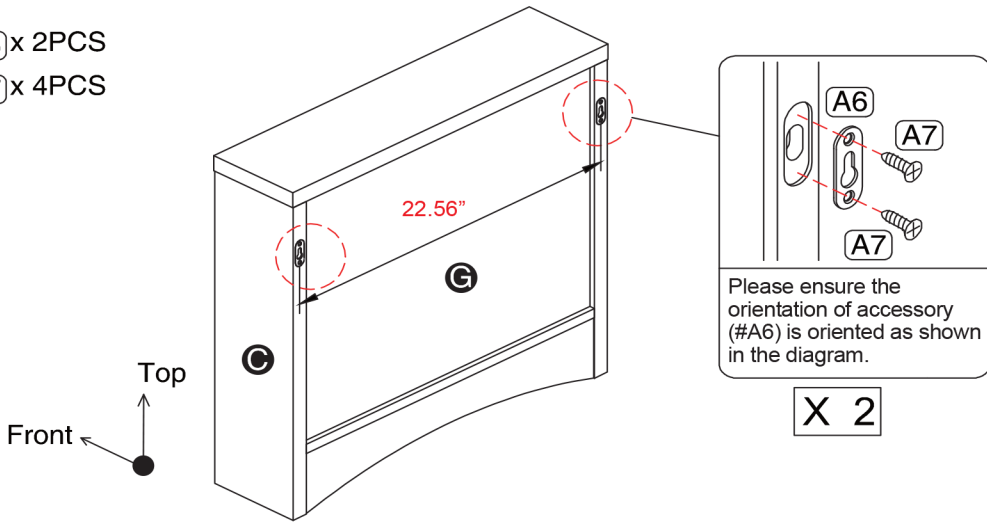


ASSEMBLY INSTRUCTIONS

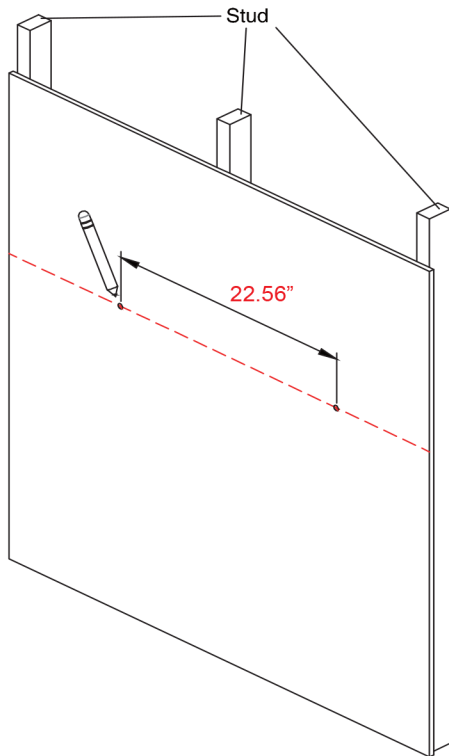
9

Accessory (A6) x 2PCS

Accessory (A7) x 4PCS



10



Please refer to Page 15 on wall mounts.



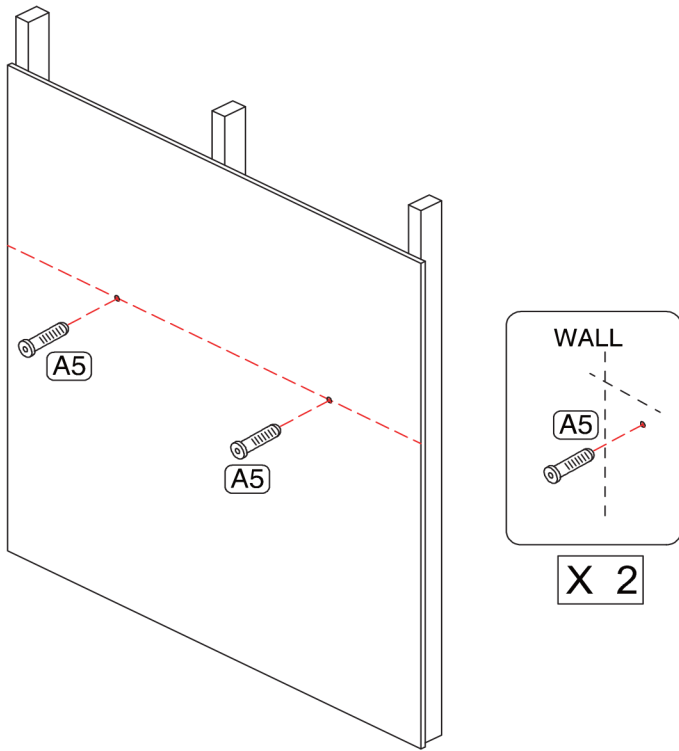
Use power drill (not Included) to drill holes onto the marks on the wall.

Optional: To ensure wall mounted furniture is even, please use a leveler (not provided) as guidance.

ASSEMBLY INSTRUCTIONS

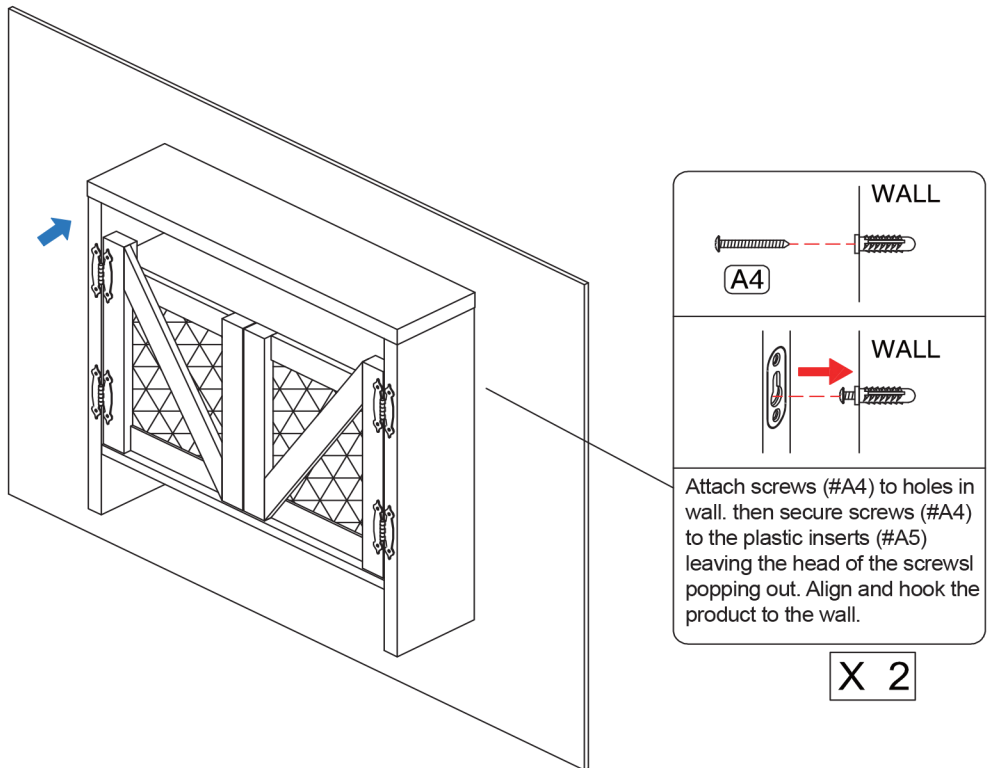
11

Accessory (A5) x 2PCS



12

Accessory (A4) x 2PCS



13

ASSEMBLY COMPLETED



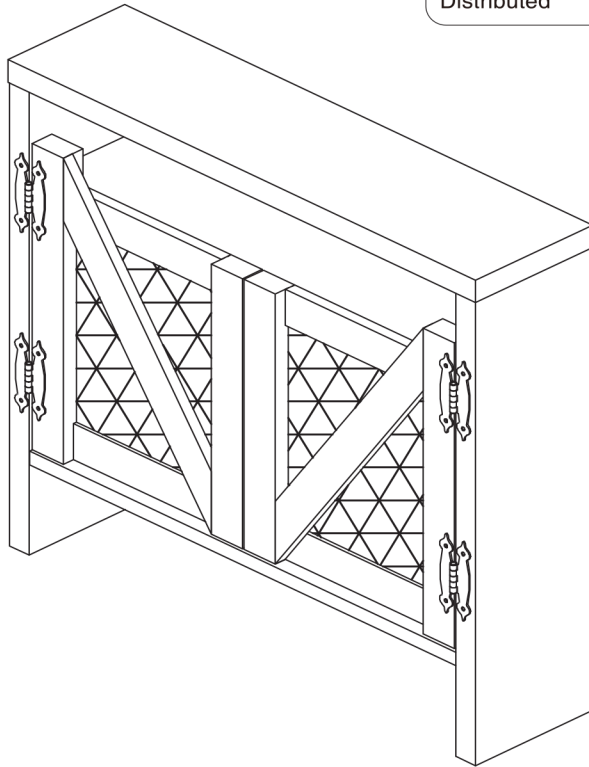
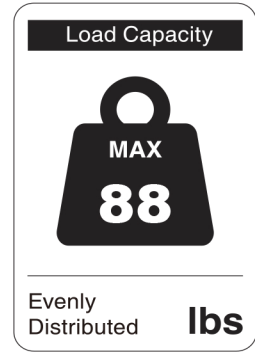
Please ensure the furniture rests on an even and flat surface. If the product wobbles or feels loose, double-check all bolts and/or screws are properly tightened and secured.

✓ **Keep this handy!**

Please retain this instruction manual and any order-related information for future reference.

✓ **Lift, don't drag!**

To avoid damage to product please always LIFT the product when transporting or adjusting the placement.



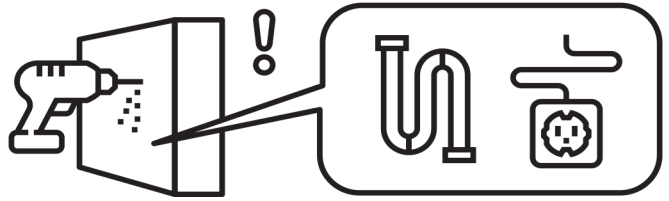
ASSEMBLY INSTRUCTIONS

Wall Mounting and Fixing



EXPANSION WALL ANCHOR

Our provided expansion wall anchors are only suitable for masonry walls, such as drywall, plaster or concrete, and are best for holding lightweight items or for anti-tip prevention. If you are unsure of the correct wall anchor to use with the product, please request professional guidance. Liability for product damage or failure due to using the incorrect anchors will fall on the installer.

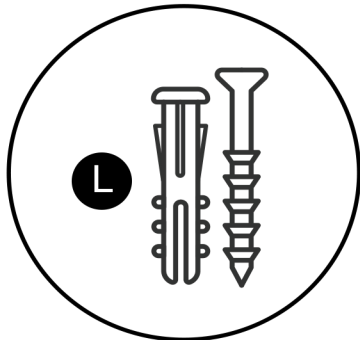


CHECK BEFORE PROCEEDING

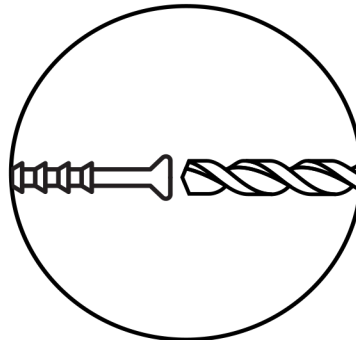
Prior to drilling or hammering, please check for wires or pipes. We recommend using a stud finder to locate a stud, which will offer more appropriate resistance and hold more weight.

QUICK TIPS

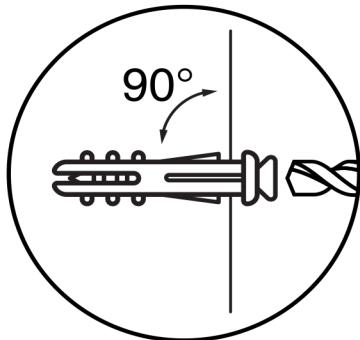
1. If unsure of the proper size, always choose a larger screw and wall anchor.



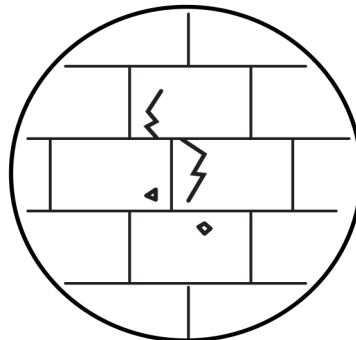
2. Match the drill bit to the wall anchor and hole size.



3. Only drill horizontally. Do not force the drill or enlarge the hole for the wall anchor.



4. Take extra care when drilling into high walls or ceramic tiles. Wall anchors should be a tight fit for the hole. Never use wall anchors in ceilings.



MAINTENANCE



We recommend a yearly check to see if the wall anchor or screw has loosened. If so, please remove the existing wall anchor and screw, and use a new anchor.