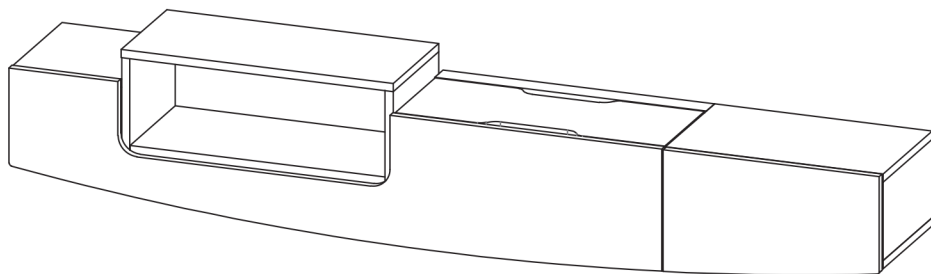


ASSEMBLY INSTRUCTIONS



TOOLS REQUIRED



Hammer

(Not Included)



**Philips
Screwdriver**

(Not Included)



**2 - People
Recommended**

ASSEMBLY RATING



EASY —————> DIFFICULT

The Assembly Rating is a 5-point system showing the level of effort needed to assemble a specific product.



CHECK BEFORE STARTING

Are you missing anything?

Double-check all parts, hardware and accessories listed are all accounted for.

Should we send any replacements?

Are there any irregularities or flaws in the parts? We can send replacements!

Check out our Quick Tips!

We recommend reviewing the pre-assembly handouts. Even experts need a refresher now and then!

Prep Time!

Please review the assembly instructions and all diagrams prior to assembling. Arrange parts as recommended on Page 7 and group identical hardware together to make assembling easier.

PRE ASSEMBLY INTRODUCTION

We understand building ready-to-assemble furniture can be a challenging experience for some. To help avoid confusion, we have provided some helpful tips that may speed up the process.



Teamwork

ALWAYS have at least two people to help with transporting and assembling the product to avoid potential injury and/or damage.



Suitable Location

Assembling near the area of the intended location is highly recommended.



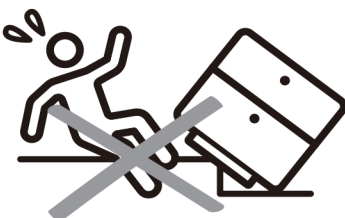
Sufficient Space

Make sure you have enough space to move around during the assembly.



Avoid Scratches

Use cardboard, blankets or a carpeted area while assembling furniture to prevent scratches.



Flat Surface

Make sure the furniture rests on a flat and level surface with each leg evenly touching the floor.

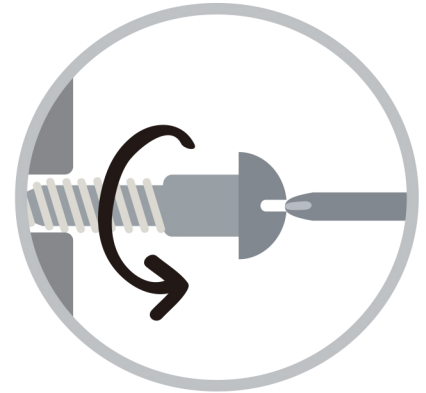
ASSEMBLY AND CARE ADVICE



**FAILURE TO FOLLOW THE GUIDELINES BELOW MAY
RESULT IN INJURY AND/OR PROPERTY DAMAGE.**



Position each part correctly
and insert screws or bolts into
their respective holes.



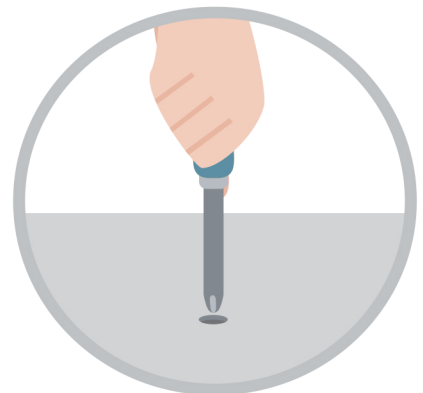
Turn clockwise to tighten and
only tighten when step is
completed or when instructed
to do so.



Use the appropriate hand tools
or power tools for assembly.
Select steps, such as tightening
screws and/or bolts, may require
hand tools to avoid causing
damage during assembly.



Save the instructions and store
any supplied tools for later
maintenance.



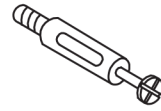
After two weeks, check and
tighten any loose hardware and
repeat again every six months
thereafter.

IT IS THE USER'S RESPONSIBILITY TO MAINTAIN THE FURNITURE. THE HARDWARE MAY LOOSEN OVER TIME AND MAY CAUSE THE FURNITURE TO BE WOBBLY AND UNABLE TO SUPPORT ITS INTENDED WEIGHT CAPACITY. THIS MAY LEAD TO COLLAPSE AND MAY CAUSE SERIOUS INJURY.

CAM LOCK FASTENER ASSEMBLY INSTRUCTIONS

Note :

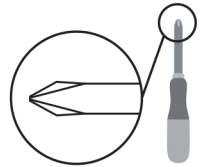
Every cam lock bolt must have a cam lock connector in order to fasten the parts together.



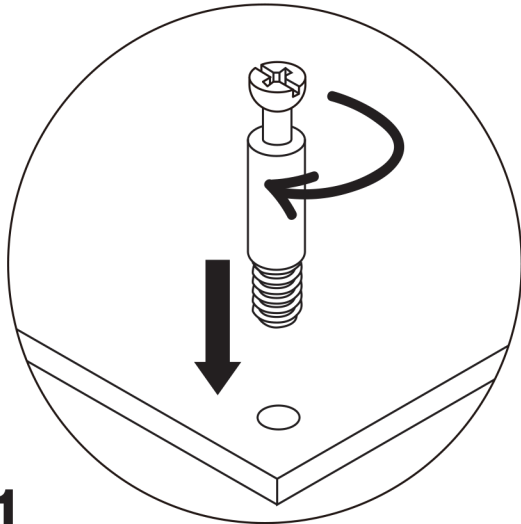
cam bolt



cam lock

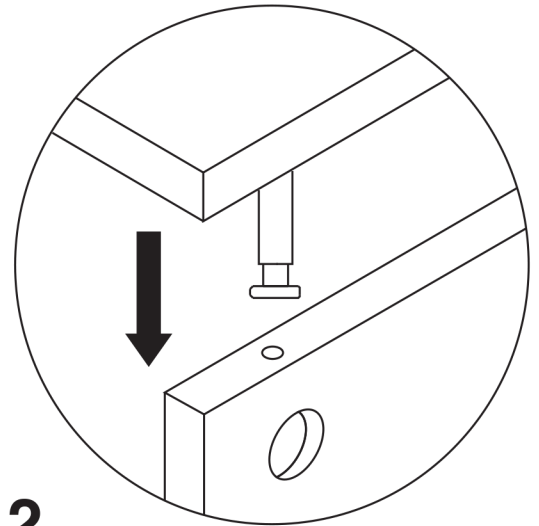


screwdriver



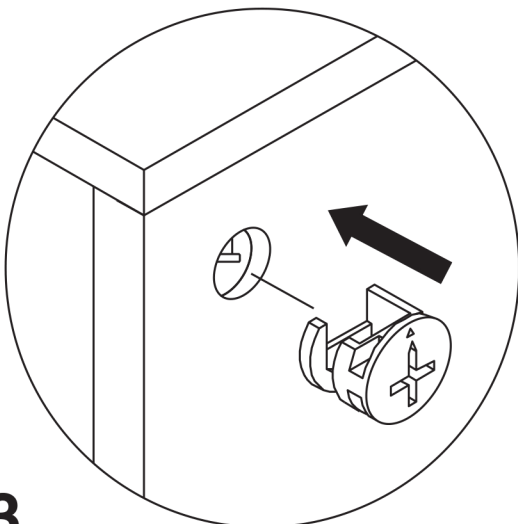
1

Screw the cam bolt into panel.



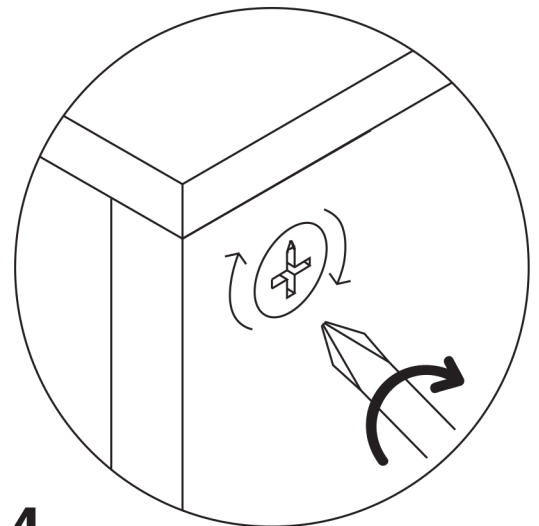
2

Insert the cam bolt into the bolt hole of joint panel.



3

Align the cam lock with its side opening (or arrow) pointing to cam bolt.



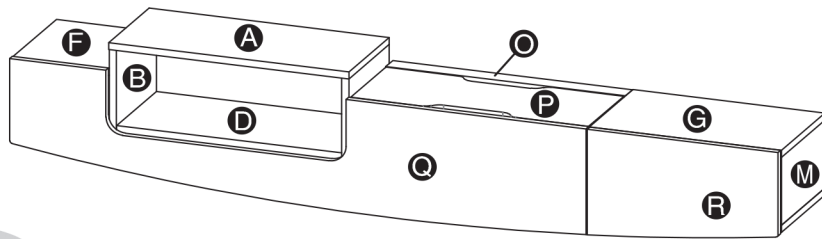
4

Turn the cam lock clockwise gently until it will not turn any more.

FLOATING TV CONSOLE



- Please keep instructions for future reference.
- Check the quantity and irregularity of parts and hardware before you start.



PARTS

A1PC



B1PC



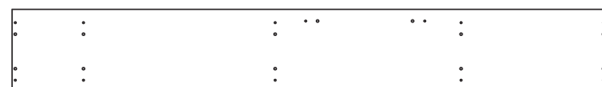
C1PC



D1PC



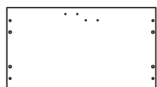
E1PC



F1PC



G1PC



H1PC



I1PC



J1PC



K1PC



L1PC



M1PC



N1PC



O1PC



P1PC



Q1PC



R1PC



S1PC



T1PC



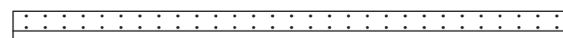
U1PC



V1PC



W1PC



HARDWARE

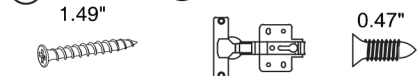
① 23PCS ② 23PCS ③ 32PCS



0.47"

0.98"

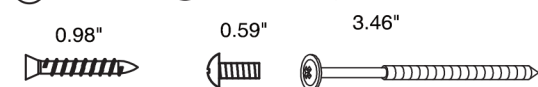
④ 20PCS ⑤ 2PCS ⑥ 12PCS



1.49"

0.47"

⑦ 2PCS ⑧ 2PCS ⑨ 6PCS



0.98"

0.59"

3.46"

ACCESSORIES

A1 6PCS A2 20PCS A3 7PCS A4 1PC



0.62"

C31-4p(BK)+3P
C35-4p(WH)+3P

GET READY

Please group boards as below.

R1PC



S1PC



T1PC



U1PC

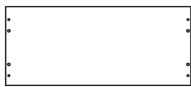


V1PC



Drawer

A1PC



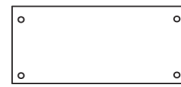
B1PC



C1PC



D1PC



J1PC



K1PC



N1PC



H1PC



I1PC



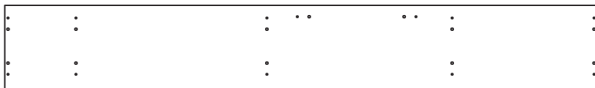
L1PC



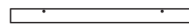
M1PC



E1PC



O1PC



F1PC



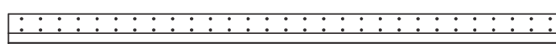
G1PC



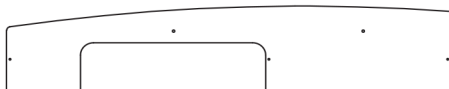
P1PC



W1PC



Q1PC



Body

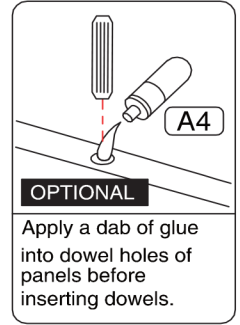
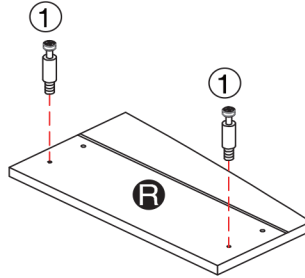
ASSEMBLY INSTRUCTIONS

1

Hardware ① x 2PCS

Hardware ③ x 2PCS

Accessory A4 x 1PC



OPTIONAL

Apply a dab of glue into dowel holes of panels before inserting dowels.

2

Part R x1PC

Part S x1PC

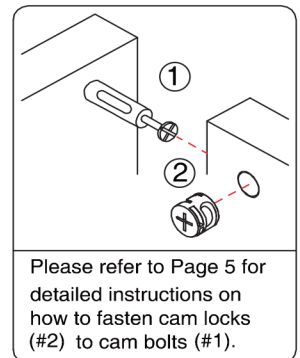
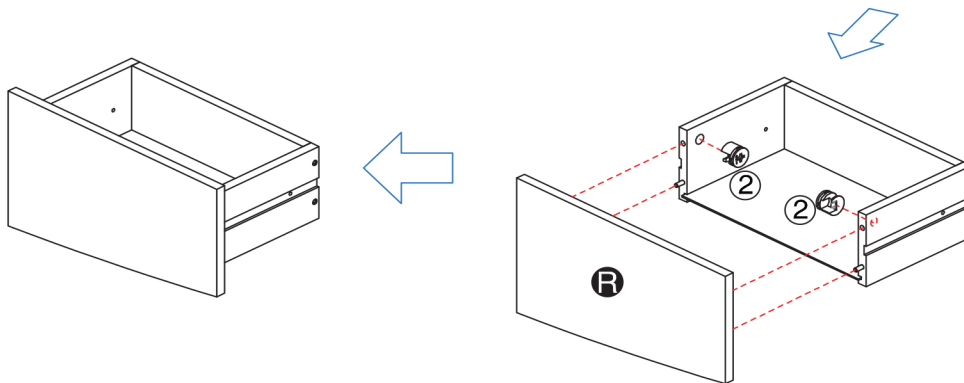
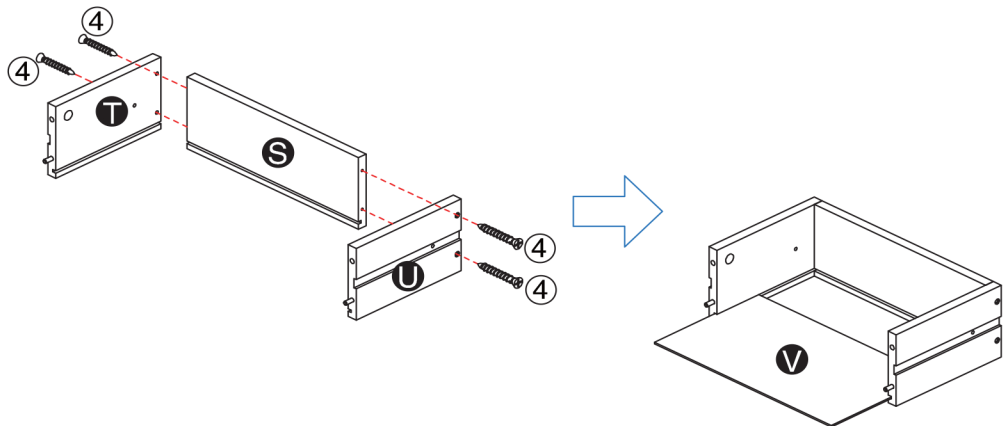
Part T x1PC

Part U x1PC

Part V x1PC

Hardware ② x 2PCS

Hardware ④ x 4PCS



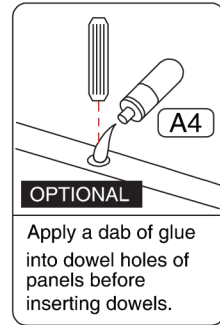
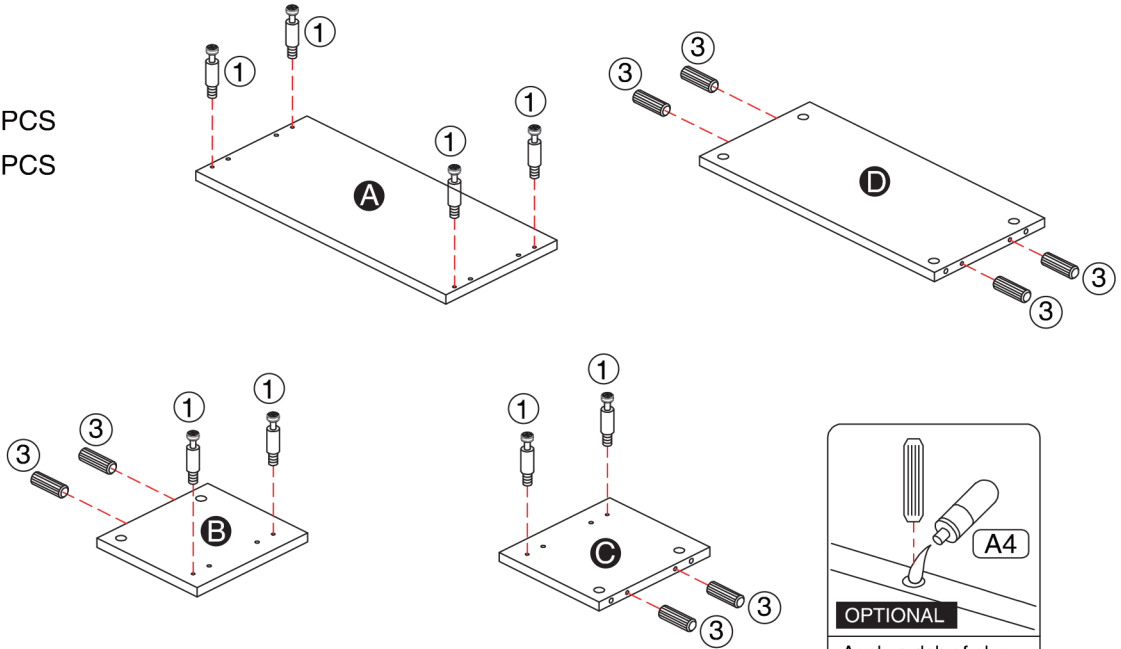
Please refer to Page 5 for detailed instructions on how to fasten cam locks (#2) to cam bolts (#1).

ASSEMBLY INSTRUCTIONS

3

Hardware ① x 8PCS

Hardware ③ x 8PCS



4

Part A x1PC

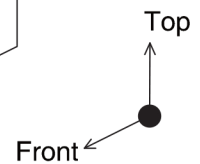
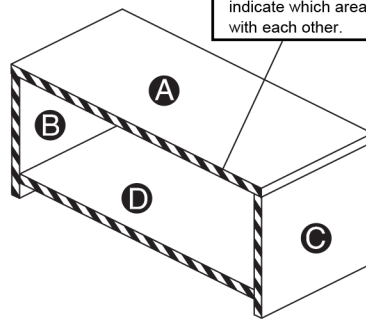
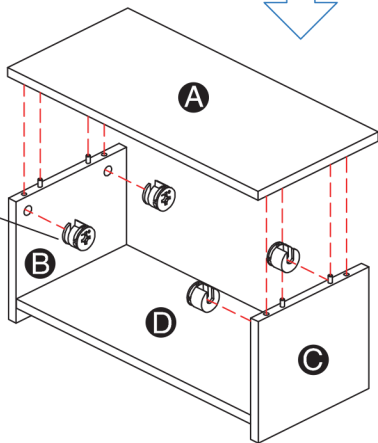
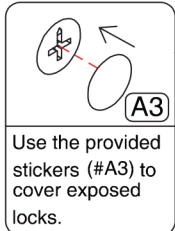
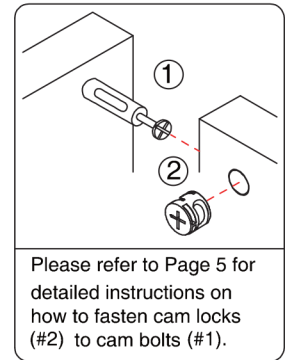
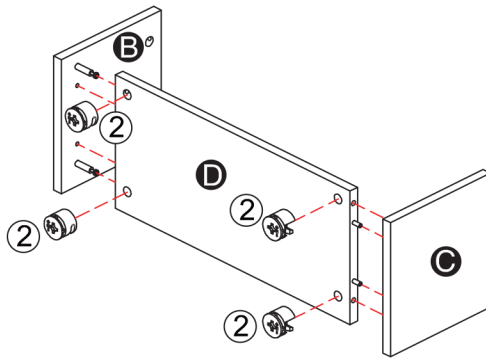
Part B x1PC

Part C x1PC

Part D x1PC

Hardware ② x 8PCS

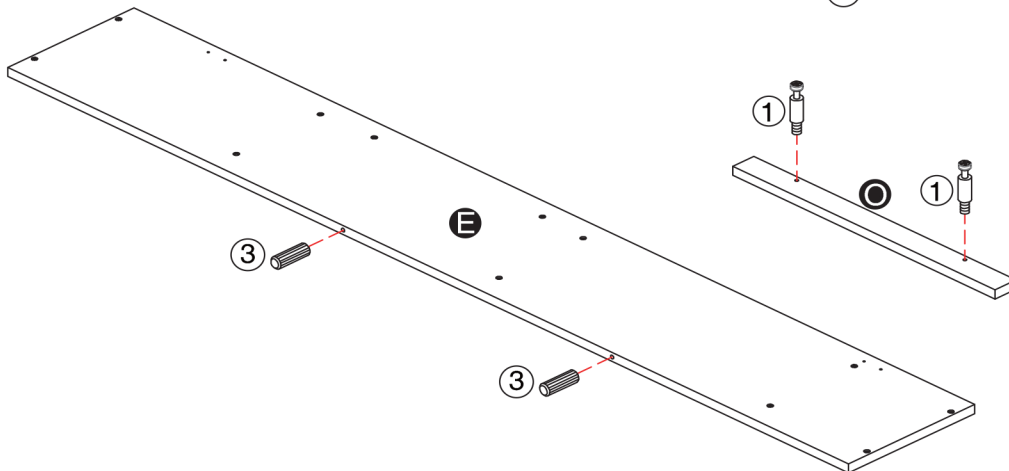
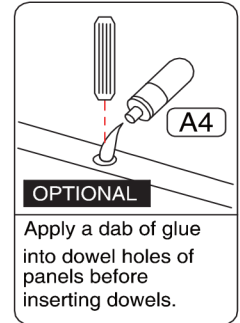
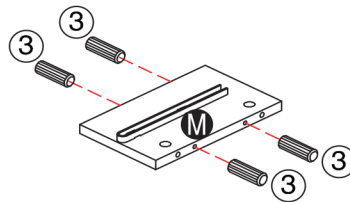
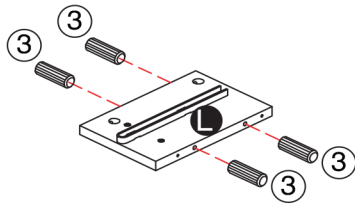
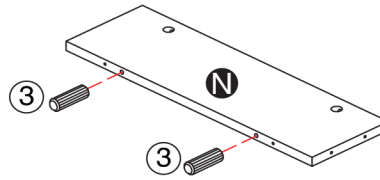
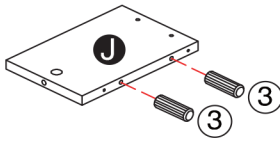
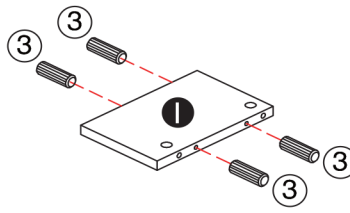
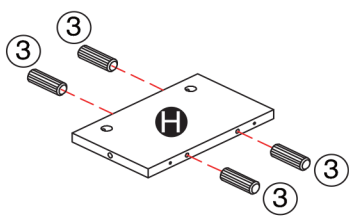
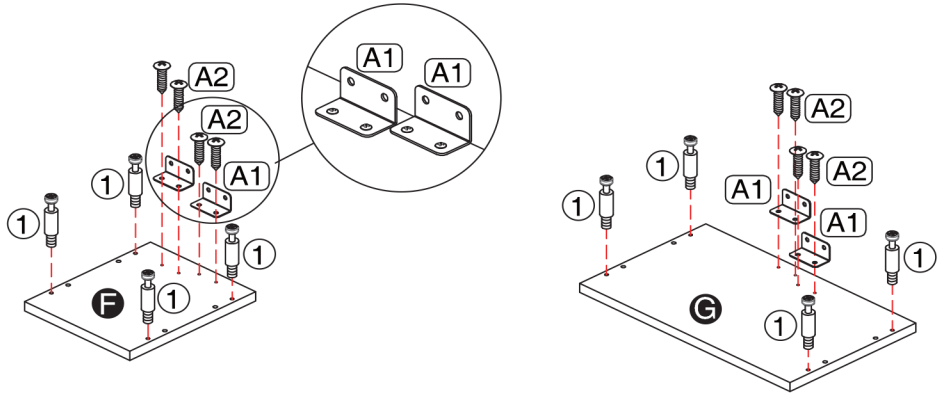
Accessory A3 x 4PCS



ASSEMBLY INSTRUCTIONS

5

- Hardware ① x 10PCS
- Hardware ③ x 22PCS
- Accessory A1 x 4PCS
- Accessory A2 x 8PCS



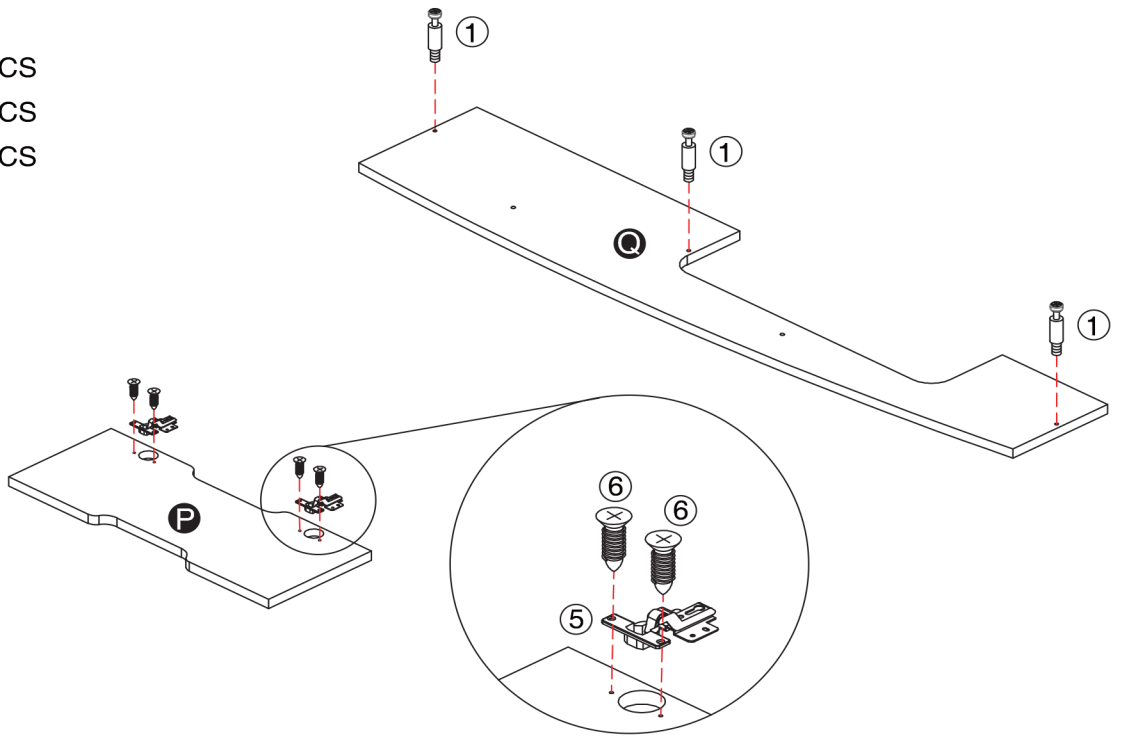
ASSEMBLY INSTRUCTIONS

6

Hardware ① x 3PCS

Hardware ⑤ x 2PCS

Hardware ⑥ x 4PCS



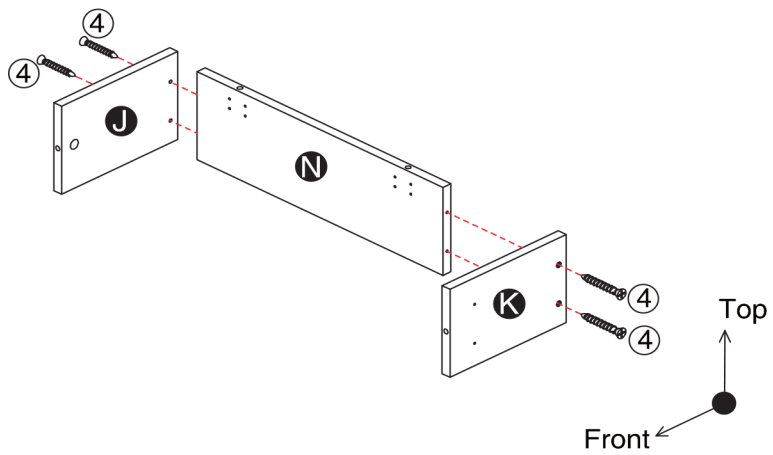
7

Part ① x 1PC

Part ② x 1PC

Part ③ x 1PC

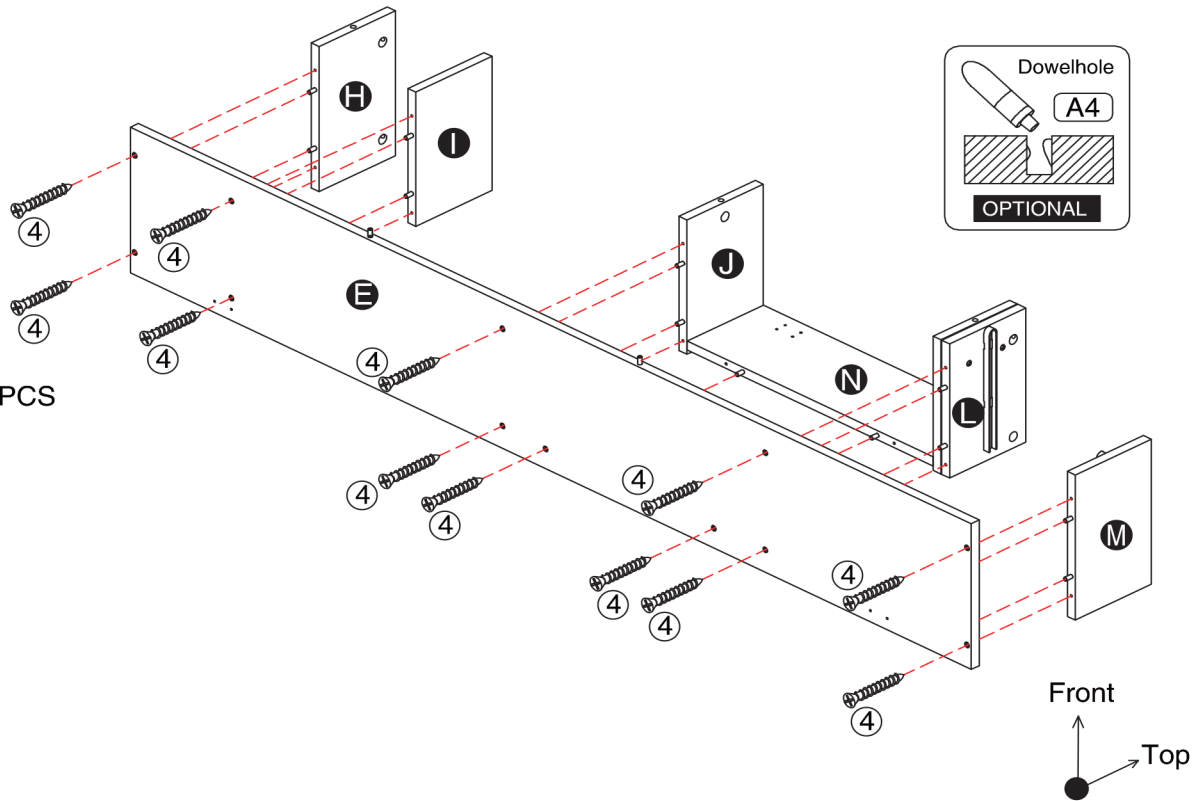
Hardware ④ x 4PCS



ASSEMBLY INSTRUCTIONS

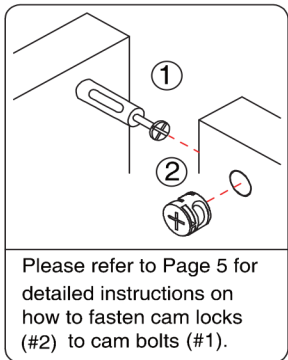
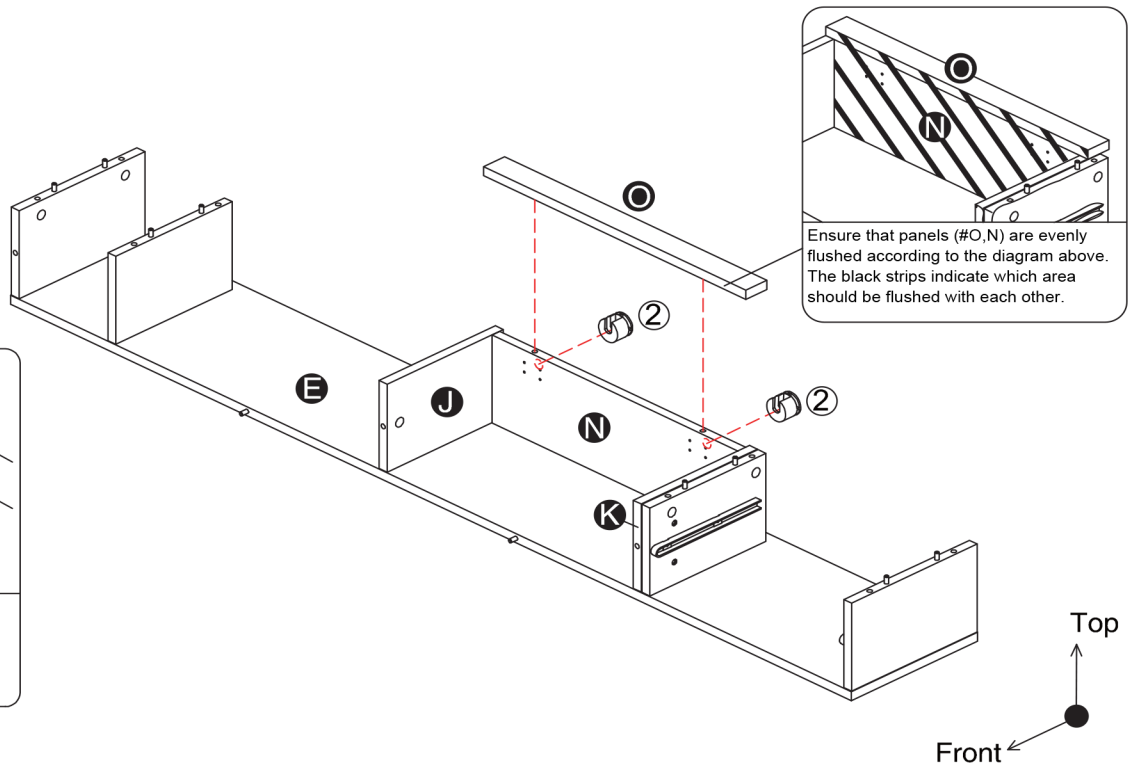
8

- Part **E** x1PC
- Part **H** x1PC
- Part **I** x1PC
- Part **L** x1PC
- Part **M** x1PC
- Hardware **4** x 12PCS



9

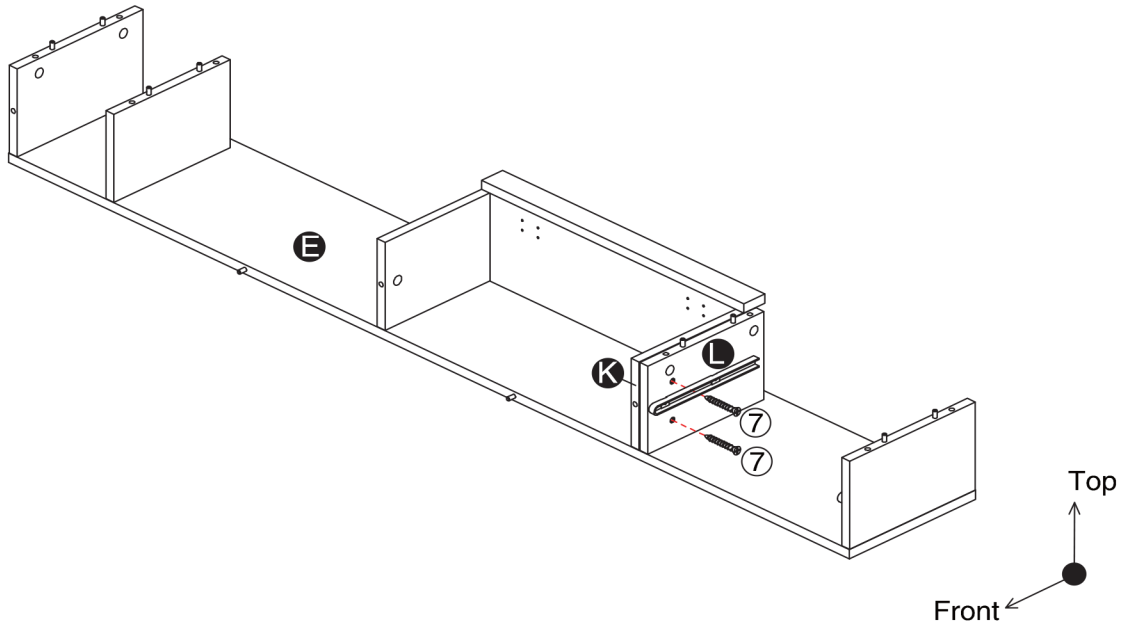
- Part **O** x1PC
- Hardware **2** x 2PCS



ASSEMBLY INSTRUCTIONS

10

Hardware ⑦ x 2PCS

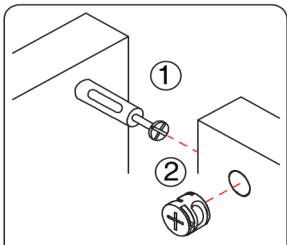
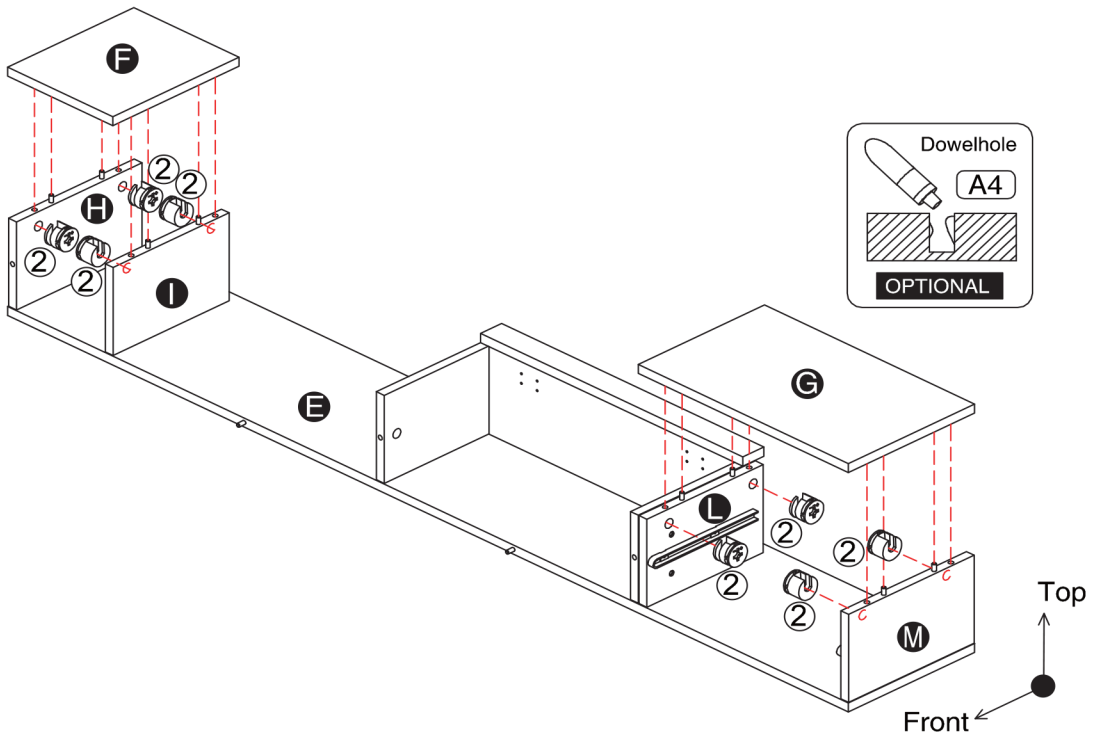


11

Part ① x1PC

Part ② x1PC

Hardware ② x 8PCS

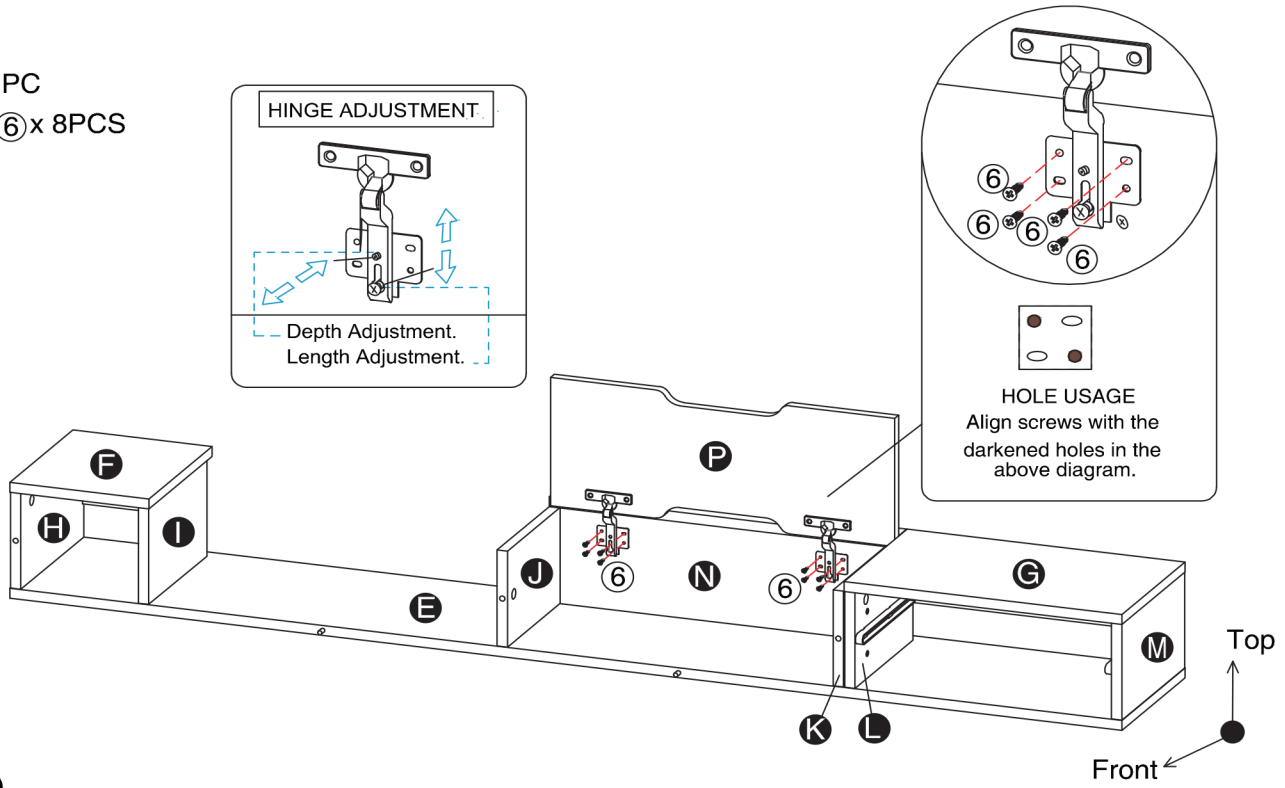


Please refer to Page 5 for detailed instructions on how to fasten cam locks (#2) to cam bolts (#1).

ASSEMBLY INSTRUCTIONS

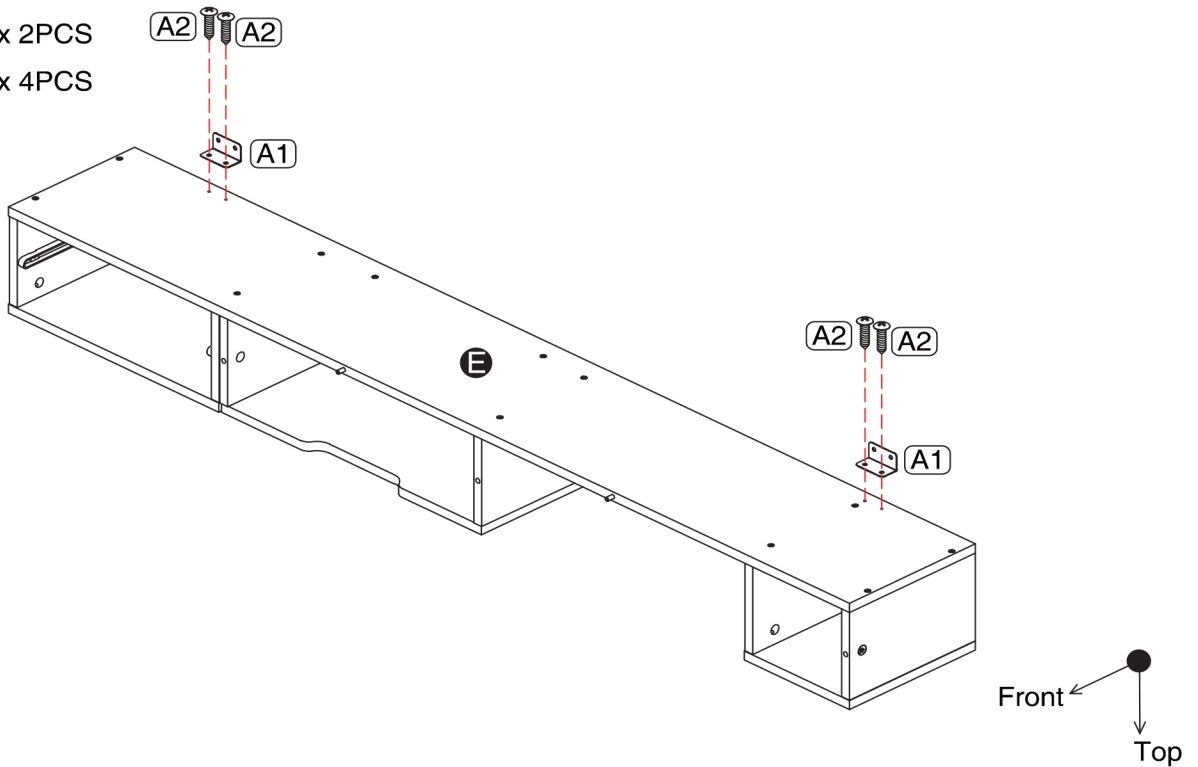
12

Part **P** x1PC
Hardware **6** x 8PCS



13

Accessory **A1** x 2PCS
Accessory **A2** x 4PCS

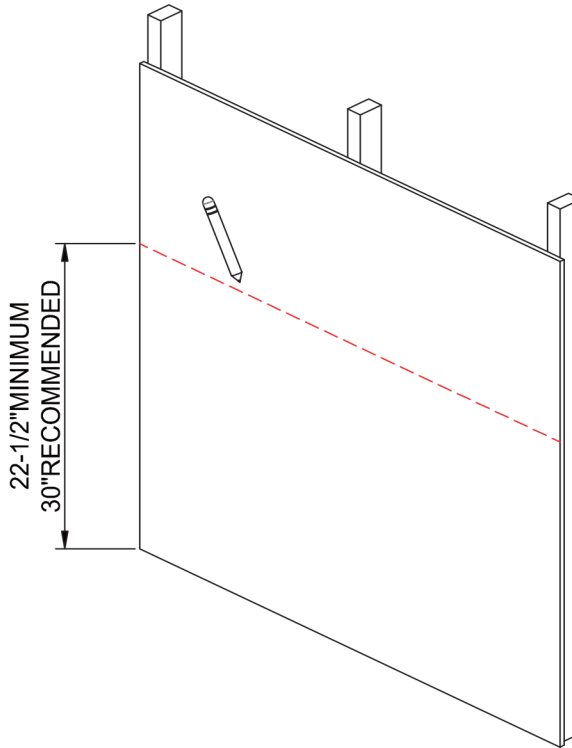


ASSEMBLY INSTRUCTIONS

To ensure wall mounted furniture is even, please use a leveler (not provided) as guidance.

14

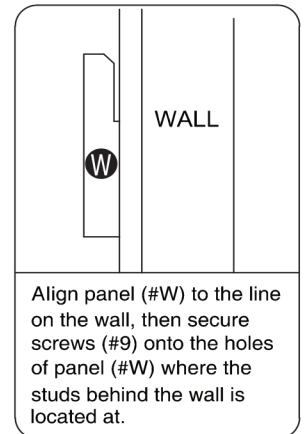
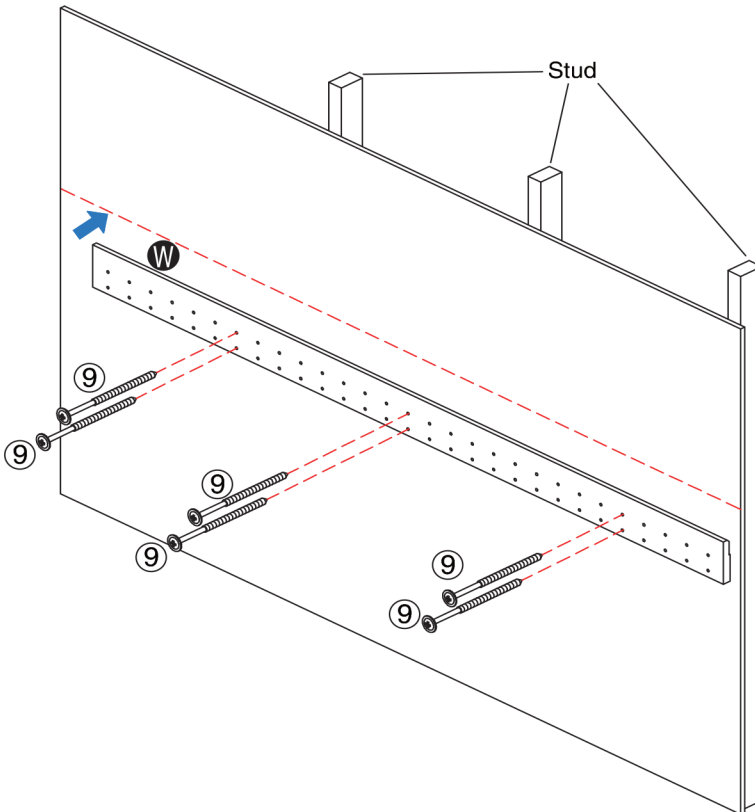
This is the recommended distance for the height of the product. Draw a line at the desired height of the product by using a pencil.



15

Part **W** x1PC

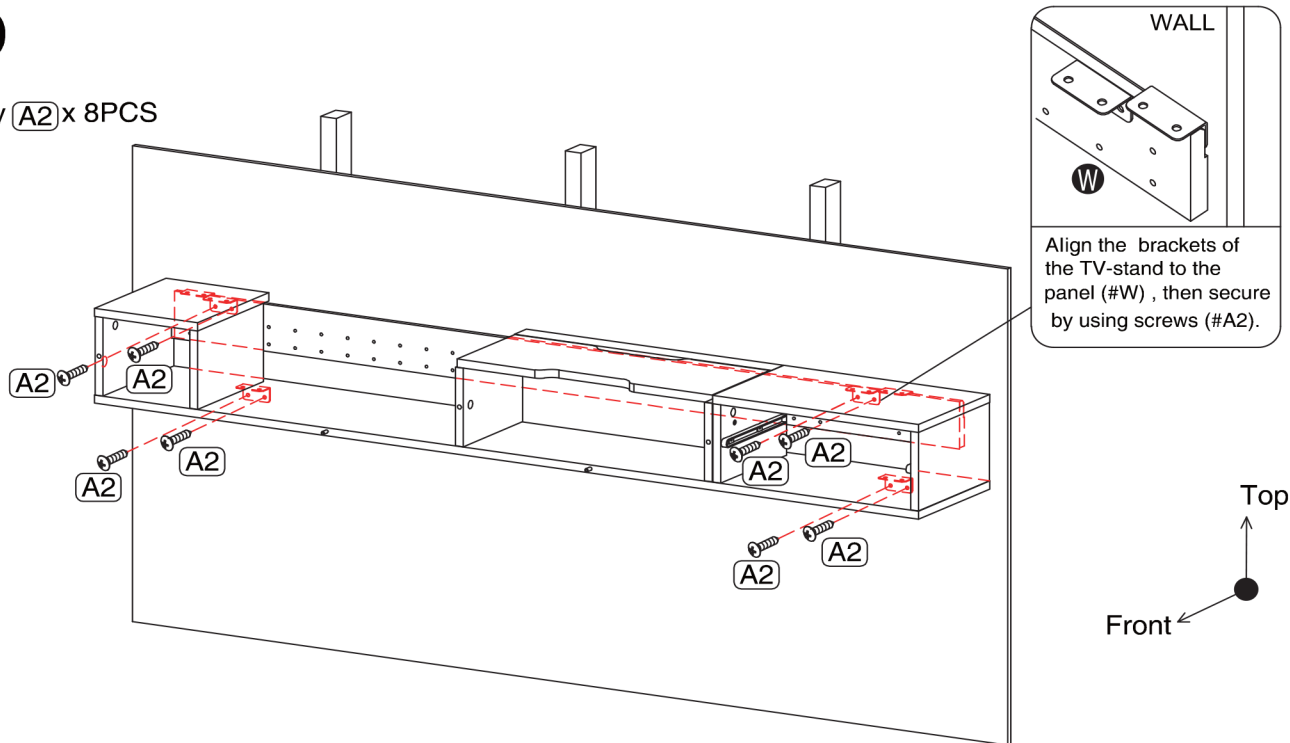
Hardware **9** x 6PCS



ASSEMBLY INSTRUCTIONS

16

Accessory **A2** x 8PCS

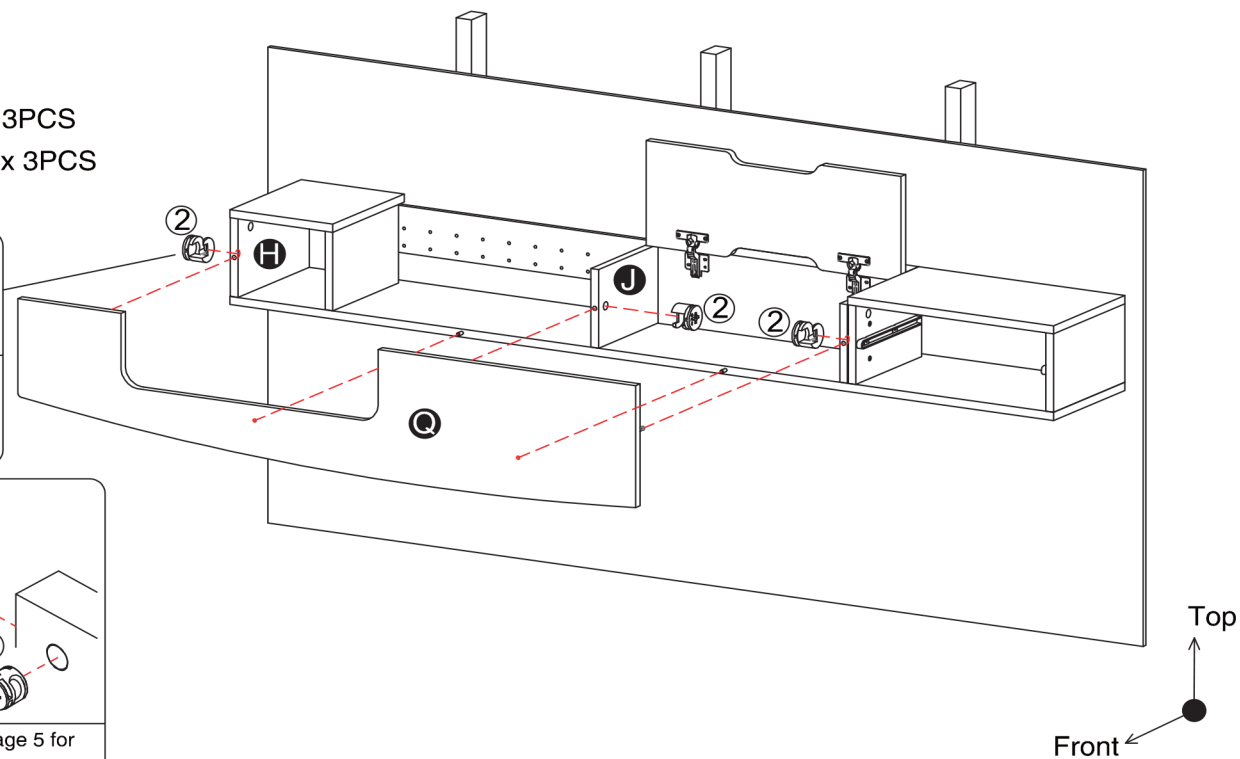
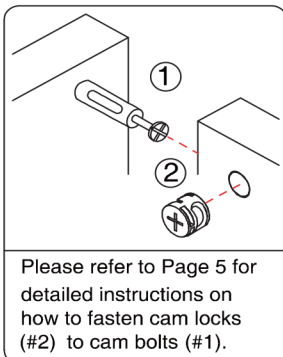
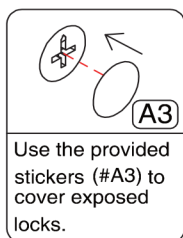


17

Part **C** x1PC

Hardware **2** x 3PCS

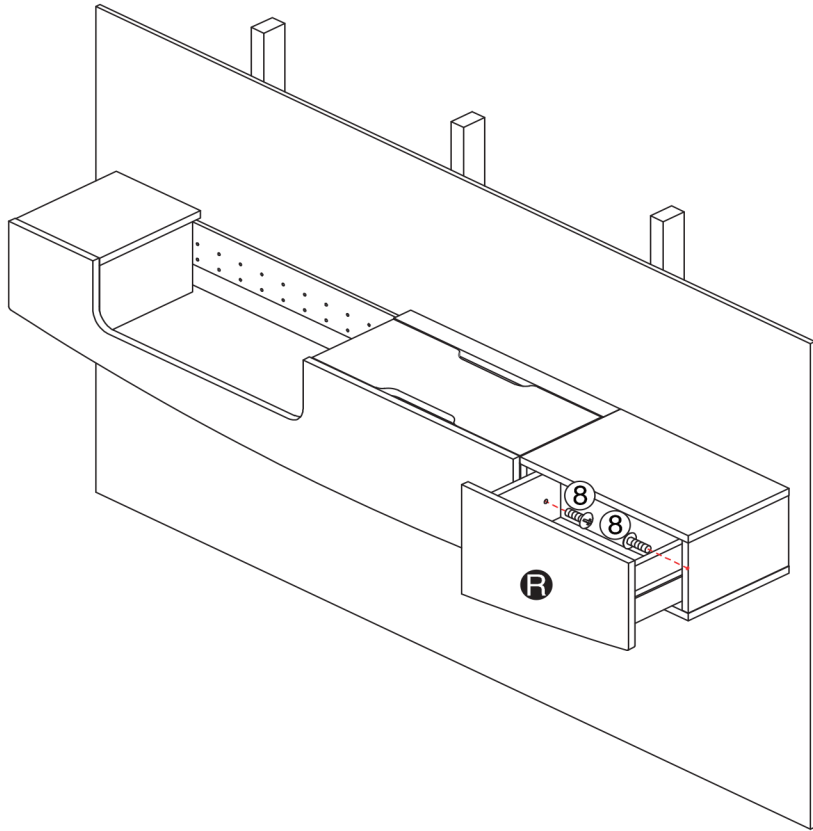
Accessory **A3** x 3PCS



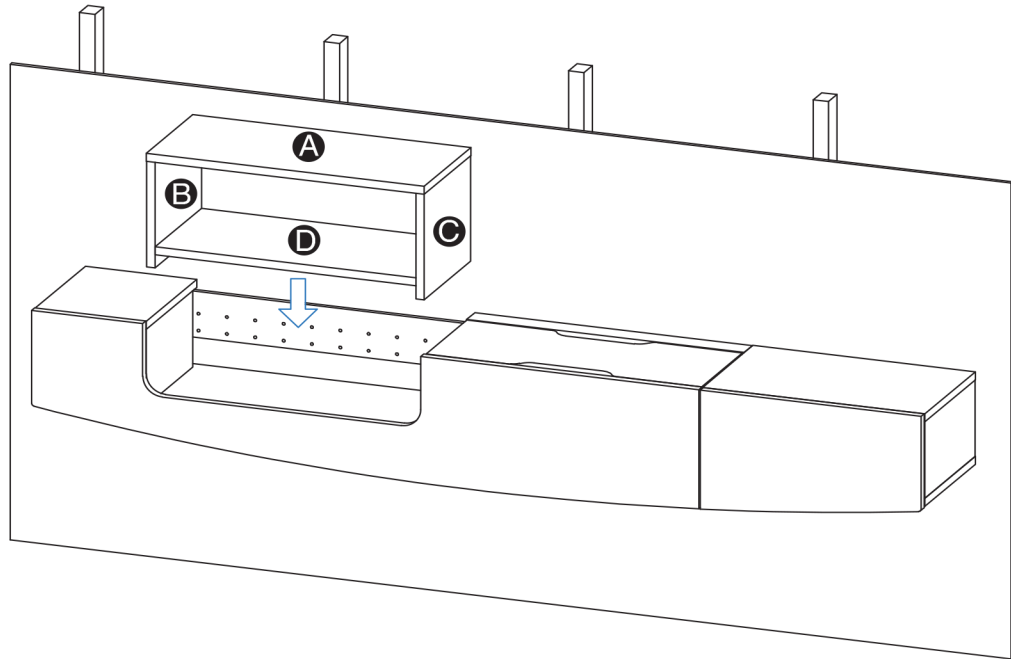
ASSEMBLY INSTRUCTIONS

18

Hardware ⑧ x 2PCS



19

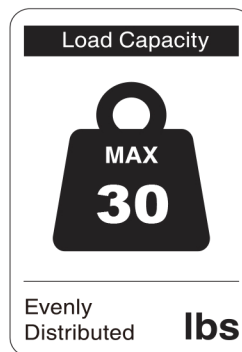


20

ASSEMBLY COMPLETED



Please ensure the furniture rests on an even and flat surface. If the product wobbles or feels loose, double-check all bolts and/or screws are properly tightened and secured.



✓ Keep this handy!

Please retain this instruction manual and any order-related information for future reference.

✓ Lift, don't drag!

To avoid damage to product please always LIFT the product when transporting or adjusting the placement.

