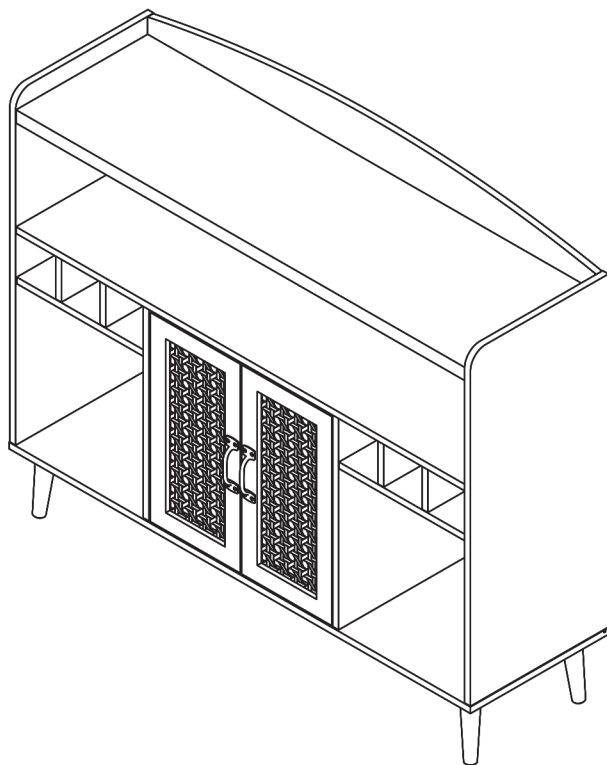


ASSEMBLY INSTRUCTIONS



TOOLS REQUIRED



Hammer

(Not Included)



**Philips
Screwdriver**

(Not Included)



**2 - People
Recommended**

ASSEMBLY RATING



EASY —————> DIFFICULT

The Assembly Rating is a 5-point system showing the level of effort needed to assemble a specific product.



CHECK BEFORE STARTING

Are you missing anything?

Double-check all parts, hardware and accessories listed on Page 6 are accounted for.

Check out our Quick Tips!

We recommend reviewing the pre-assembly handouts. Even experts need a refresher now and then!

Should we send any replacements?

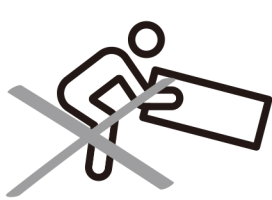
Are there any irregularities or flaws in the parts? We can send replacements!

Prep Time!

Please review the assembly instructions and all diagrams prior to assembling. Arrange parts as recommended on Page 7 and group identical hardware together to make assembling easier.

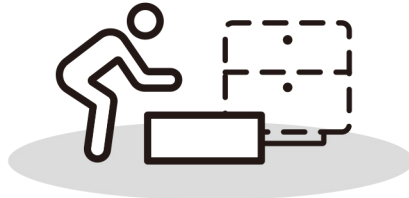
PRE ASSEMBLY INTRODUCTION

We understand building ready-to-assemble furniture can be a challenging experience for some. To help avoid confusion, we have provided some helpful tips that may speed up the process.



Teamwork

ALWAYS have at least two people to help with transporting and assembling the product to avoid potential injury and/or damage.



Suitable Location

Assembling near the area of the intended location is highly recommended.



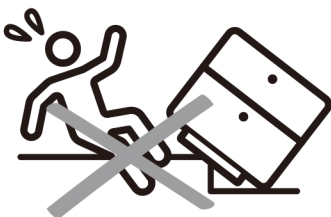
Sufficient Space

Make sure you have enough space to move around during the assembly.



Avoid Scratches

Use cardboard, blankets or a carpeted area while assembling furniture to prevent scratches.



Flat Surface

Make sure the furniture rests on a flat and level surface with each leg evenly touching the floor.

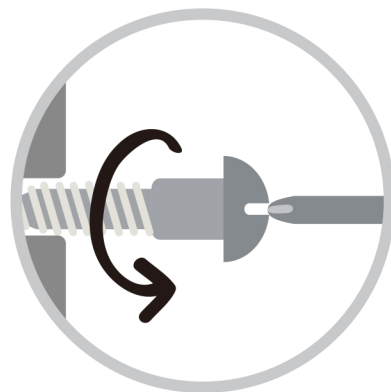
ASSEMBLY AND CARE ADVICE



FAILURE TO FOLLOW THE GUIDELINES BELOW MAY RESULT IN INJURY AND/OR PROPERTY DAMAGE.



Position each part correctly and insert screws or bolts into their respective holes.



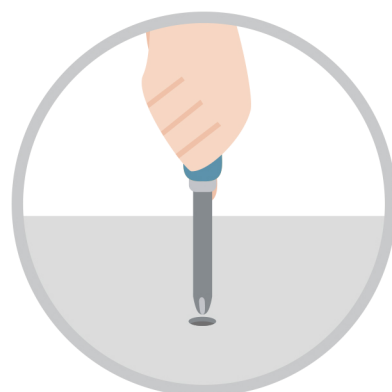
Turn clockwise to tighten and only tighten when step is completed or when instructed to do so.



Use the appropriate hand tools or power tools for assembly. Select steps, such as tightening screws and/or bolts, may require hand tools to avoid causing damage during assembly.



Save the instructions and store any supplied tools for later maintenance.



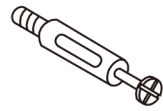
After two weeks, check and tighten any loose hardware and repeat again every six months thereafter.

IT IS THE USER'S RESPONSIBILITY TO MAINTAIN THE FURNITURE. THE HARDWARE MAY LOOSEN OVER TIME AND MAY CAUSE THE FURNITURE TO BE WOBBLY AND UNABLE TO SUPPORT ITS INTENDED WEIGHT CAPACITY. THIS MAY LEAD TO COLLAPSE AND MAY CAUSE SERIOUS INJURY.

CAM LOCK FASTENER ASSEMBLY INSTRUCTIONS

Note :

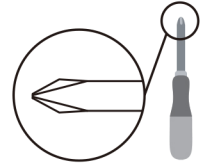
Every cam lock bolt must have a cam lock connector in order to fasten the parts together.



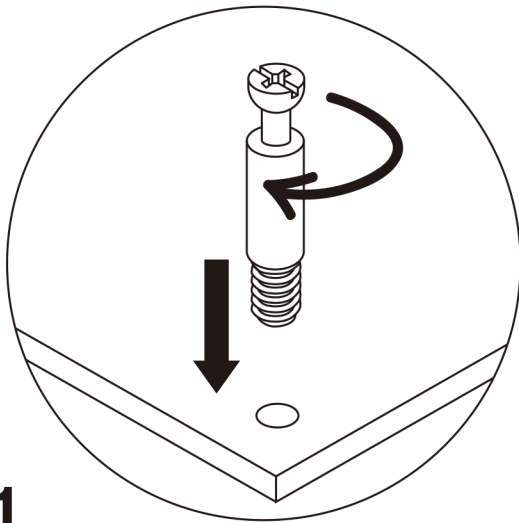
cam bolt



cam lock

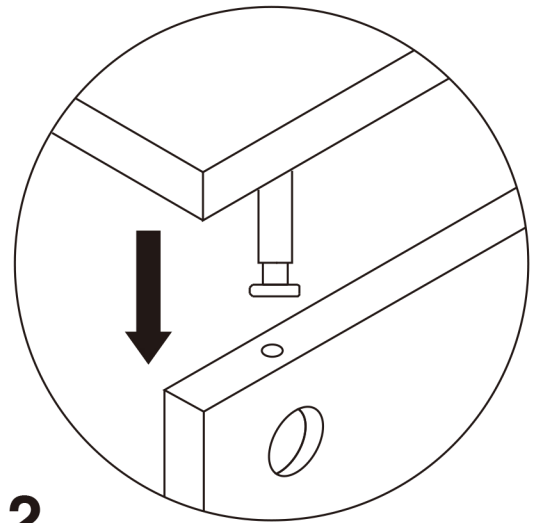


screwdriver



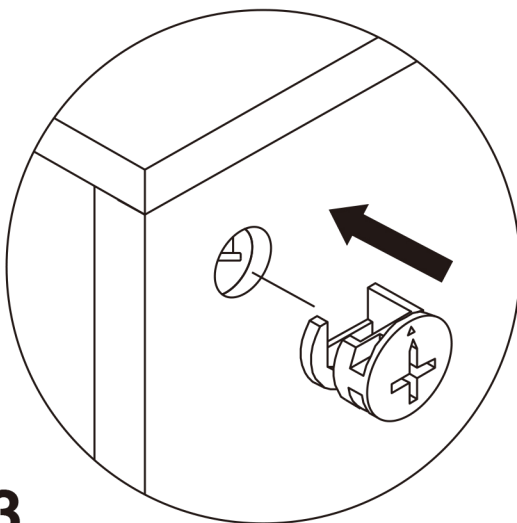
1

Screw the cam bolt into panel.



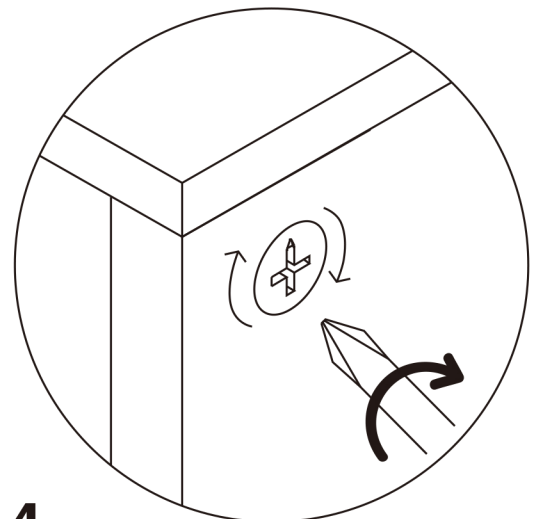
2

Insert the cam bolt into the bolt hole of joint panel.



3

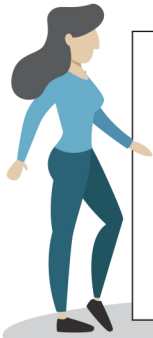
Align the cam lock with its side opening (or arrow) pointing to cam bolt.



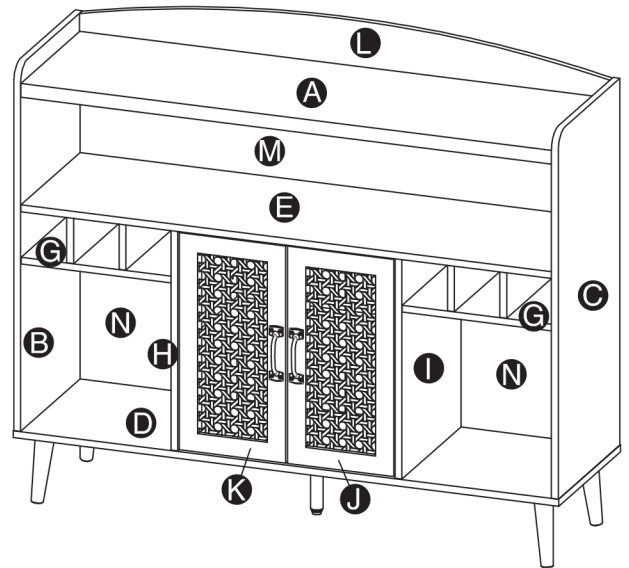
4

Turn the cam lock clockwise gently until it will not turn any more.

BUFFET



- Please keep instructions for future reference.
- Check the quantity and irregularity of parts and hardware before you start.

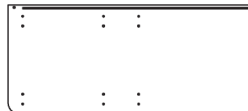


PARTS

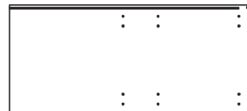
A1PC



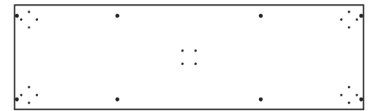
B1PC



C1PC



D1PC



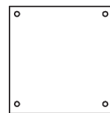
E1PC



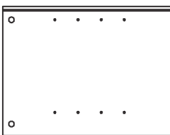
F4PCS



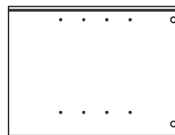
G2PCS



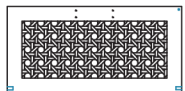
H1PC



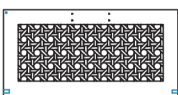
I1PC



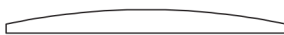
J1PC



K1PC



L1PC



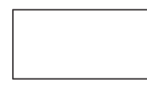
M1PC



N2PCS



O2PCS



P1PC



HARDWARE

- ① 20PCS ② 20PCS ③ 46PCS ④ 11PCS

0.47"

0.98"

1.49"



- ⑤ 8PCS ⑥ 20PCS ⑦ 1PC ⑧ 2PCS



- ⑨ 2PCS ⑩ 2PCS ⑪ 4PCS ⑫ 1PC



(Fixed)



ACCESSORIES

- A1 4PCS A2 4PCS A3 1PC A4 1PC A5 16SETS



- A6 4PCS A7 2PCS A8 2PCS A9 1PC A10 1PC



- A11 1PC A12 1PC A13 2PCS A14 1PC A15 1PC



GET READY

Please group boards as below.

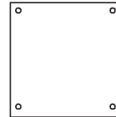
L1PC



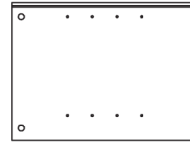
A1PC



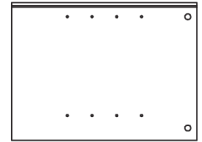
G2PCS



H1PC



I1PC



E1PC



F4PCS



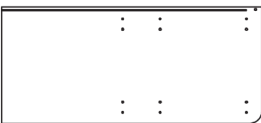
B1PC



M1PC



C1PC



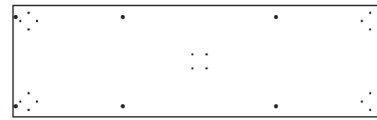
N2PCS



O2PCS

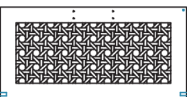


D1PC

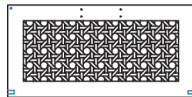


Body

J1PC



K1PC



P1PC



Doors
/Shelf

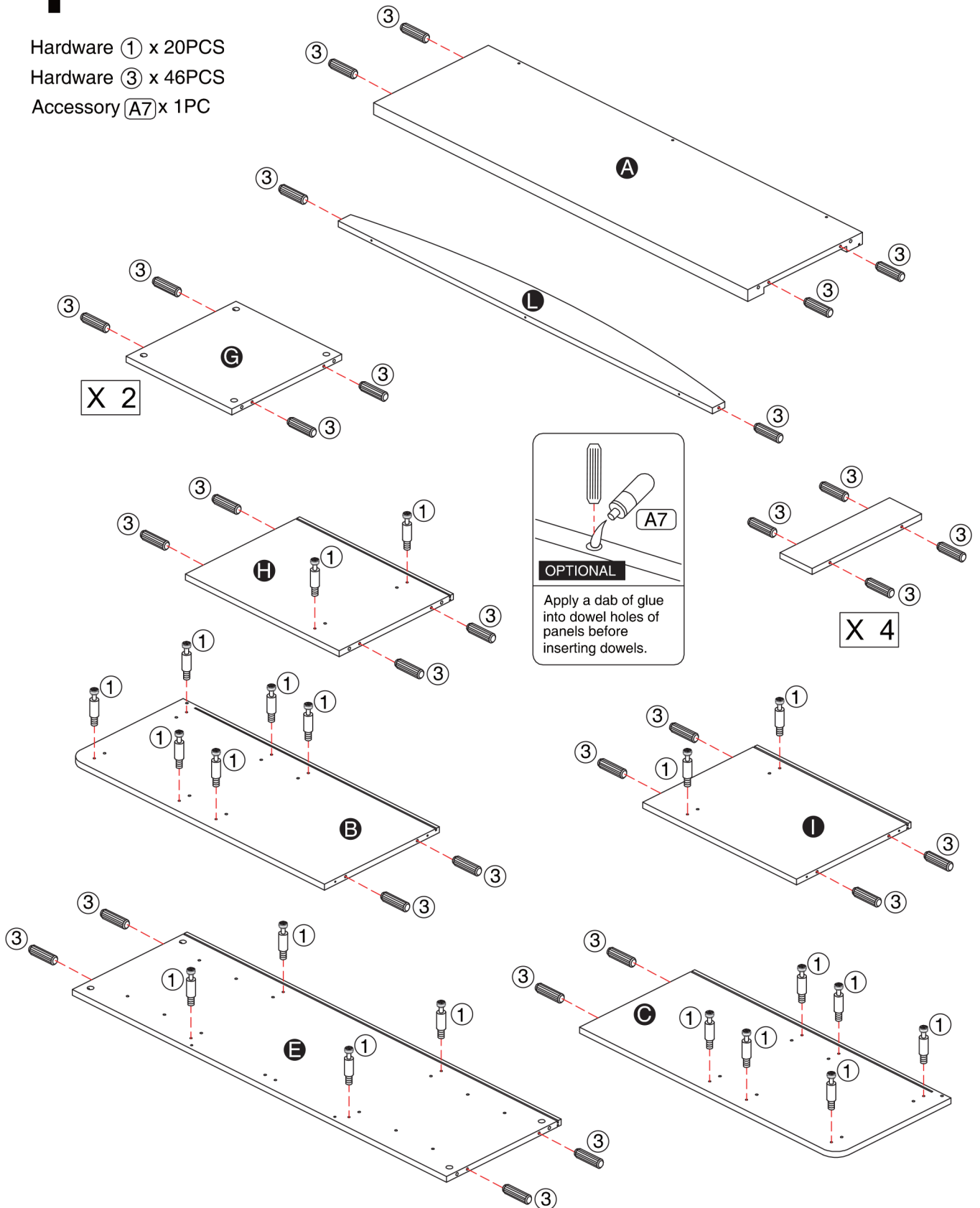
ASSEMBLY INSTRUCTIONS

1

Hardware ① x 20PCS

Hardware ③ x 46PCS

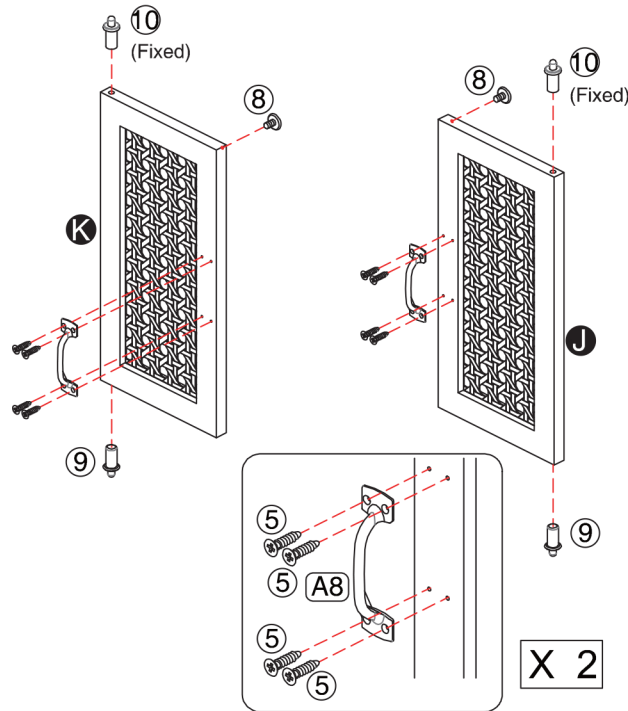
Accessory [A7] x 1PC



ASSEMBLY INSTRUCTIONS

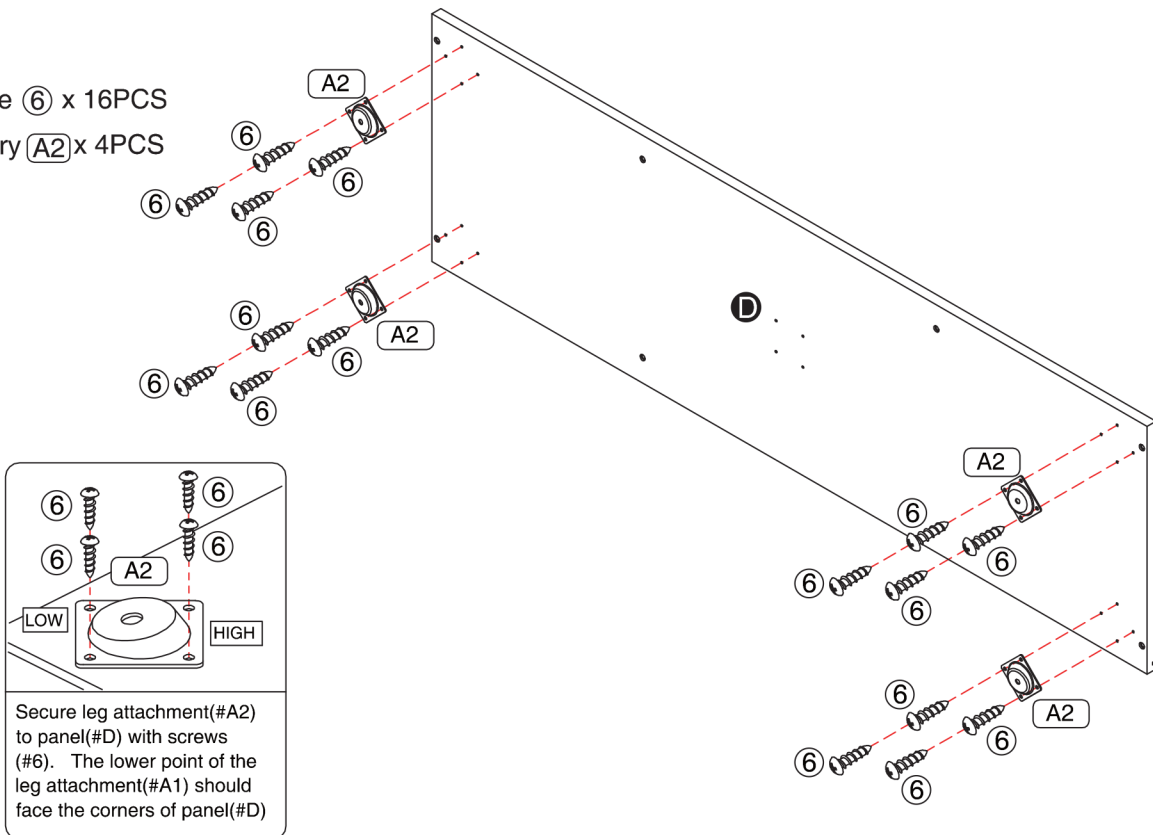
2

- Hardware ⑤ x 8PCS
- Hardware ⑧ x 2PCS
- Hardware ⑨ x 2PCS
- Hardware ⑩ x 2PCS
- Accessory (A8) x 2PCS



3

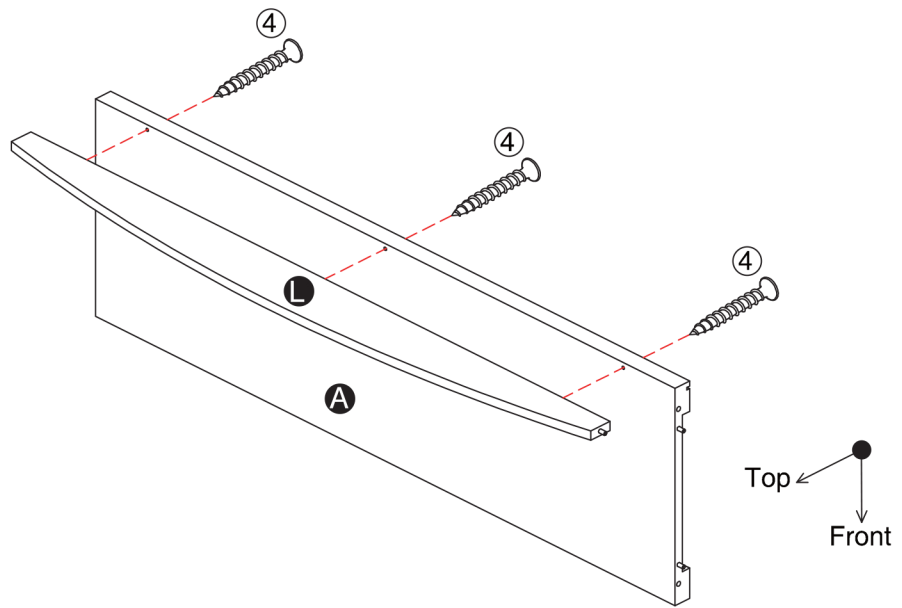
- Hardware ⑥ x 16PCS
- Accessory (A2) x 4PCS



ASSEMBLY INSTRUCTIONS

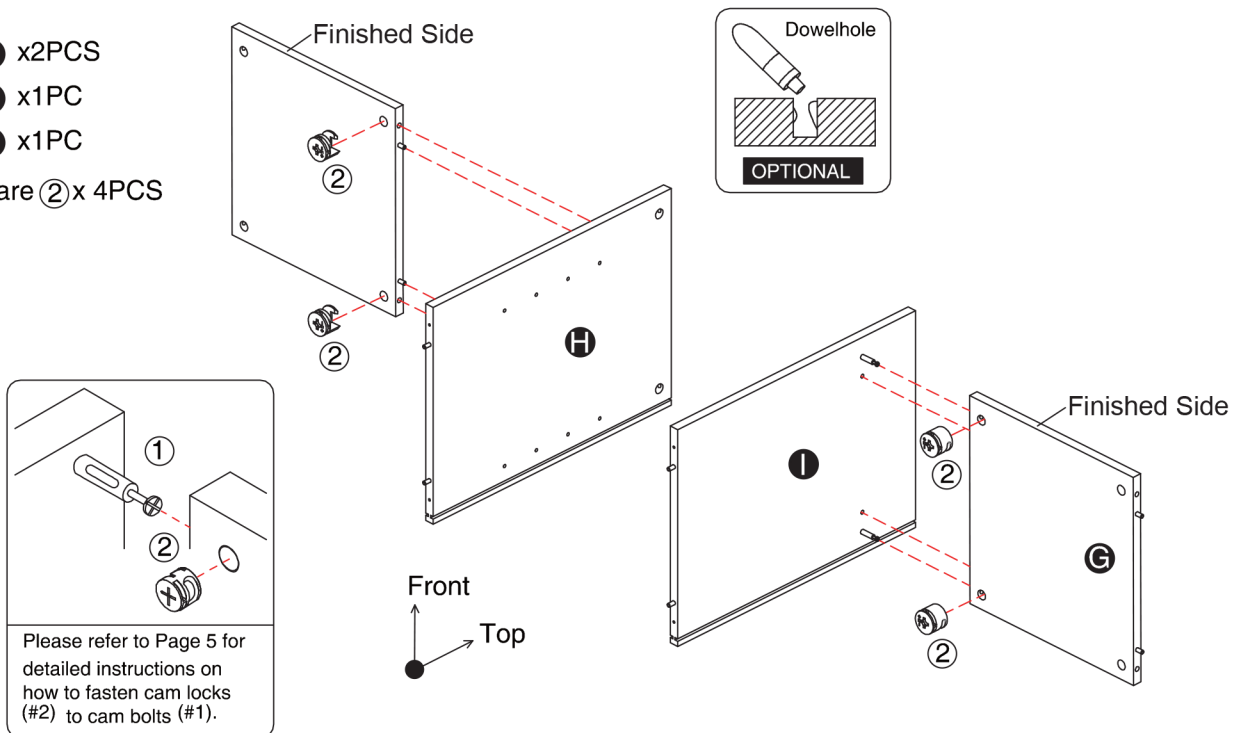
4

- Part **A** x1PC
- Part **L** x1PC
- Hardware **4** x 3PCS



5

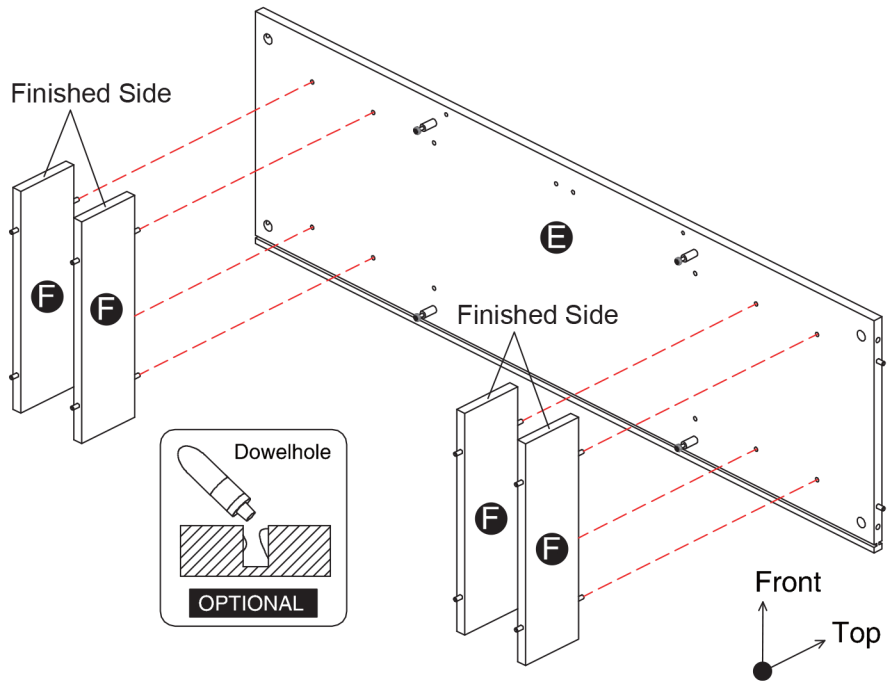
- Part **G** x2PCS
- Part **H** x1PC
- Part **I** x1PC
- Hardware **2** x 4PCS



ASSEMBLY INSTRUCTIONS

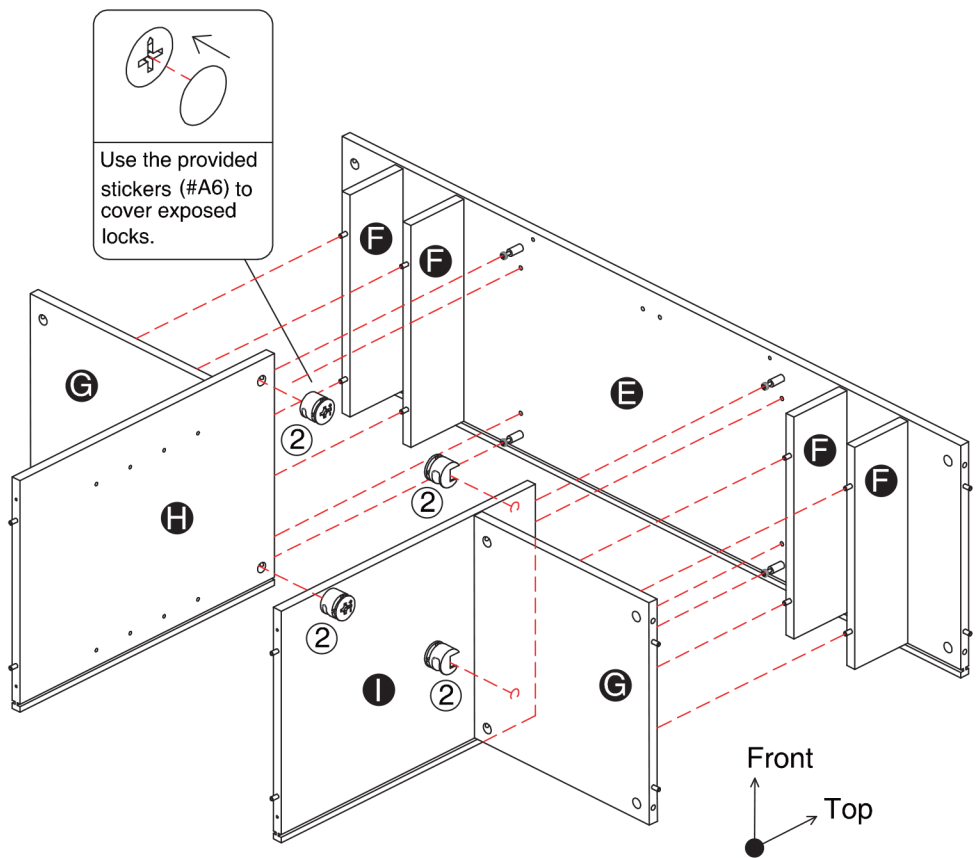
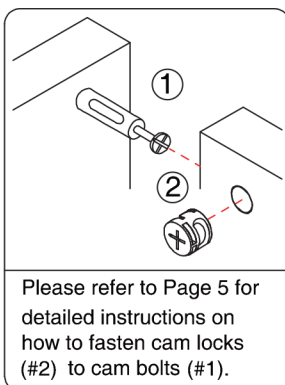
6

Part **E** x1PC
Part **F** x4PCS



7

Hardware **2** x 4PCS
Accessory **A6** x 4PCS



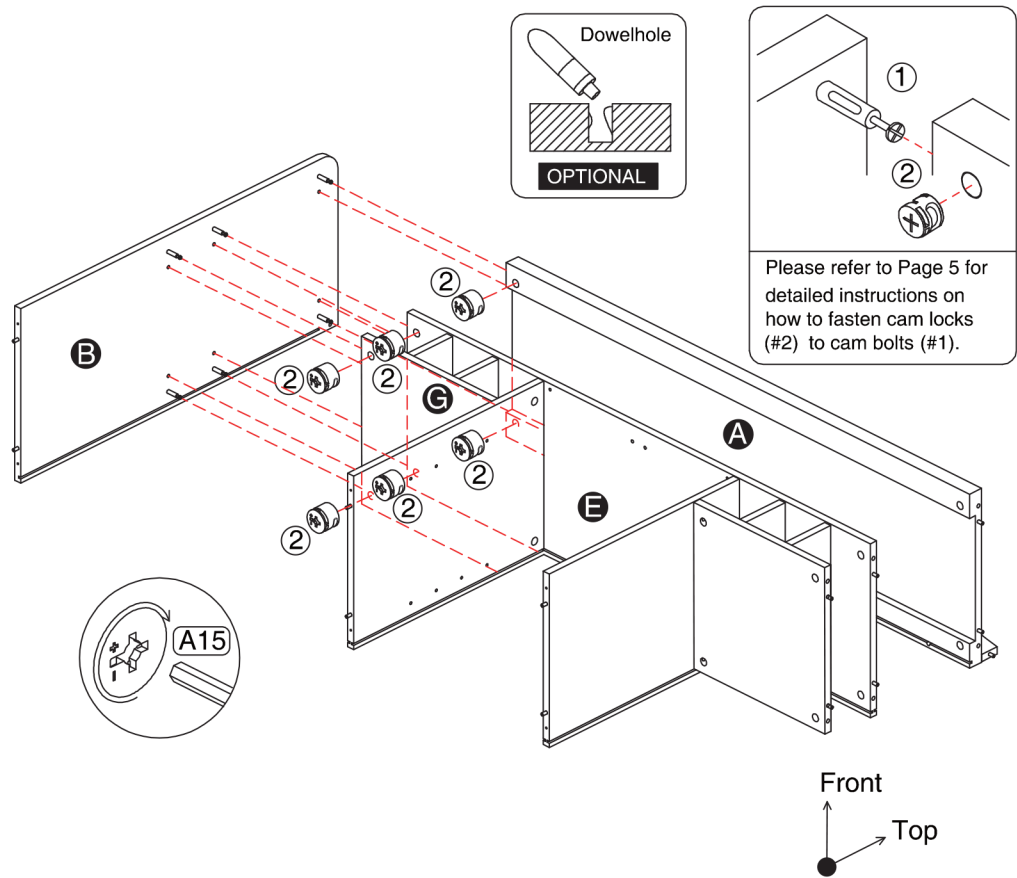
ASSEMBLY INSTRUCTIONS

8

Part **B** x1PC

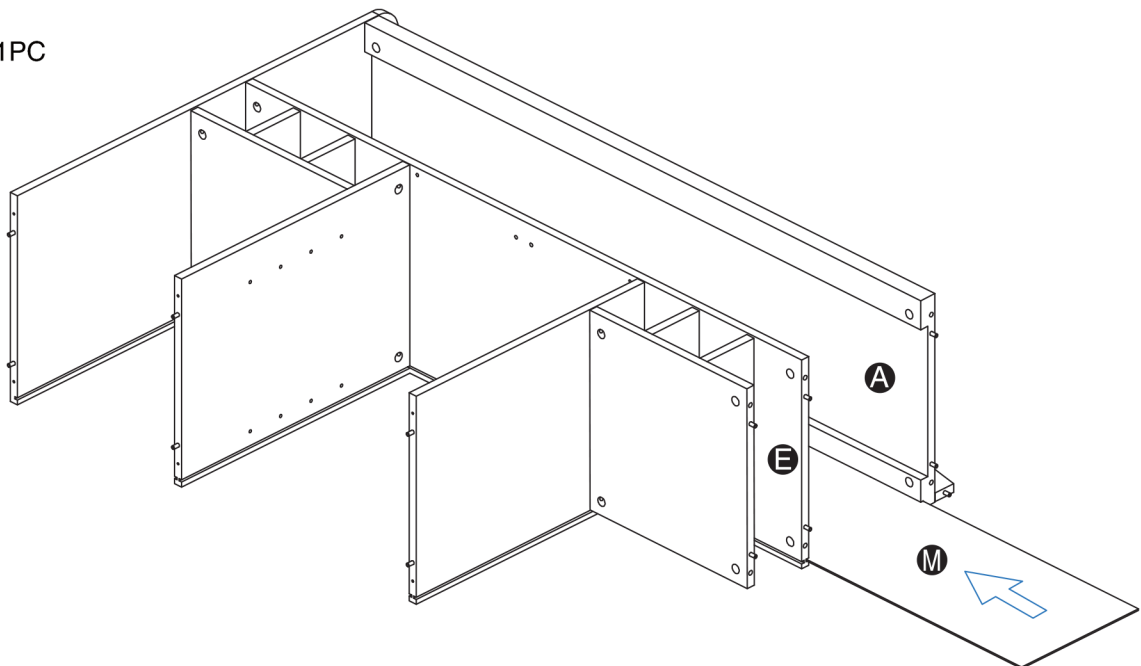
Hardware **(2)** x 6PCS

Accessory **(A15)** x 1PC



9

Part **M** x1PC



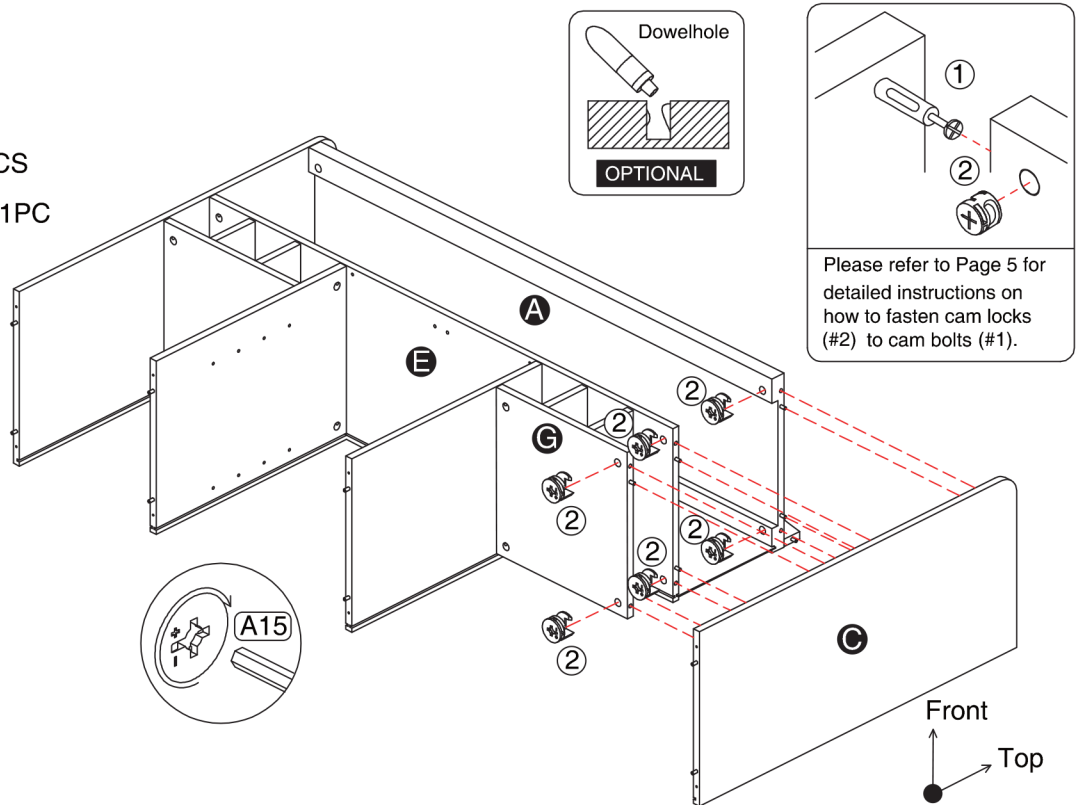
ASSEMBLY INSTRUCTIONS

10

Part **C** x1PC

Hardware **2** x 6PCS

Accessory **A15** x 1PC

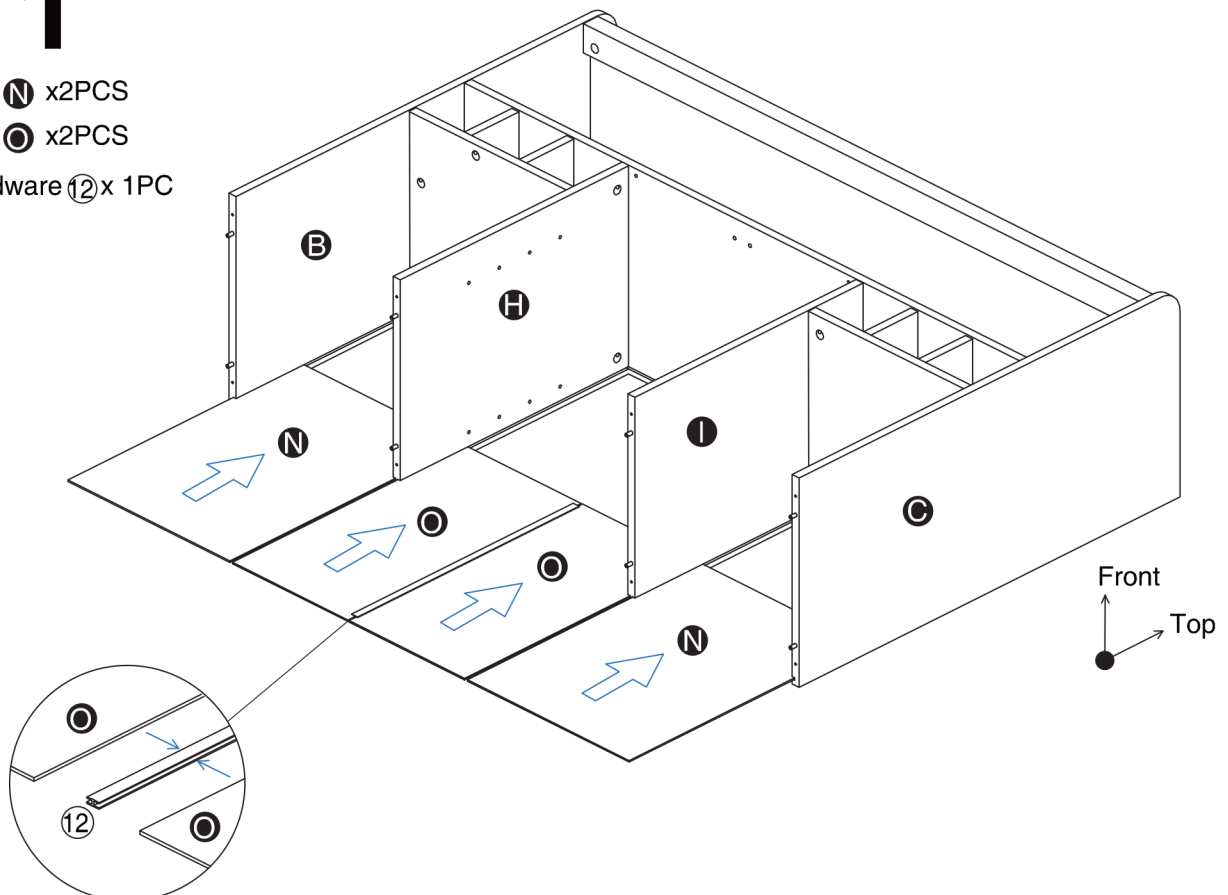


11

Part **N** x2PCS

Part **O** x2PCS

Hardware **12** x 1PC

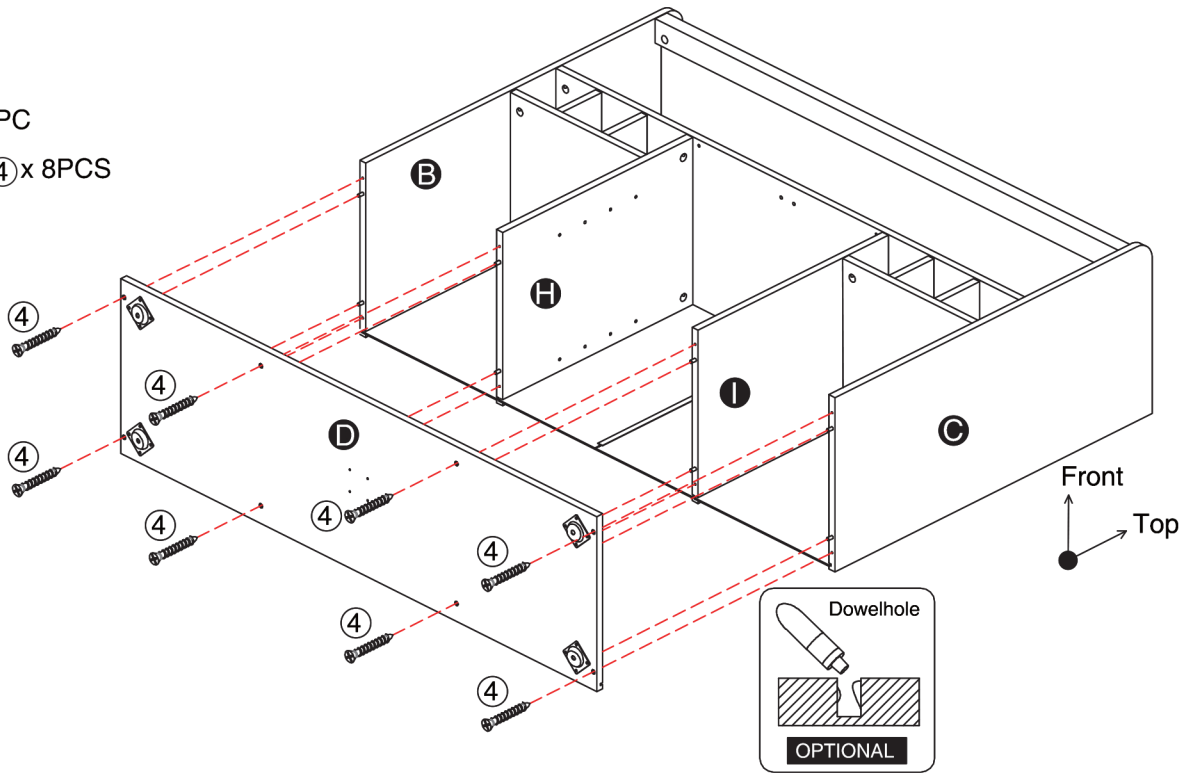


ASSEMBLY INSTRUCTIONS

12

Part **D** x1PC

Hardware **④** x 8PCS



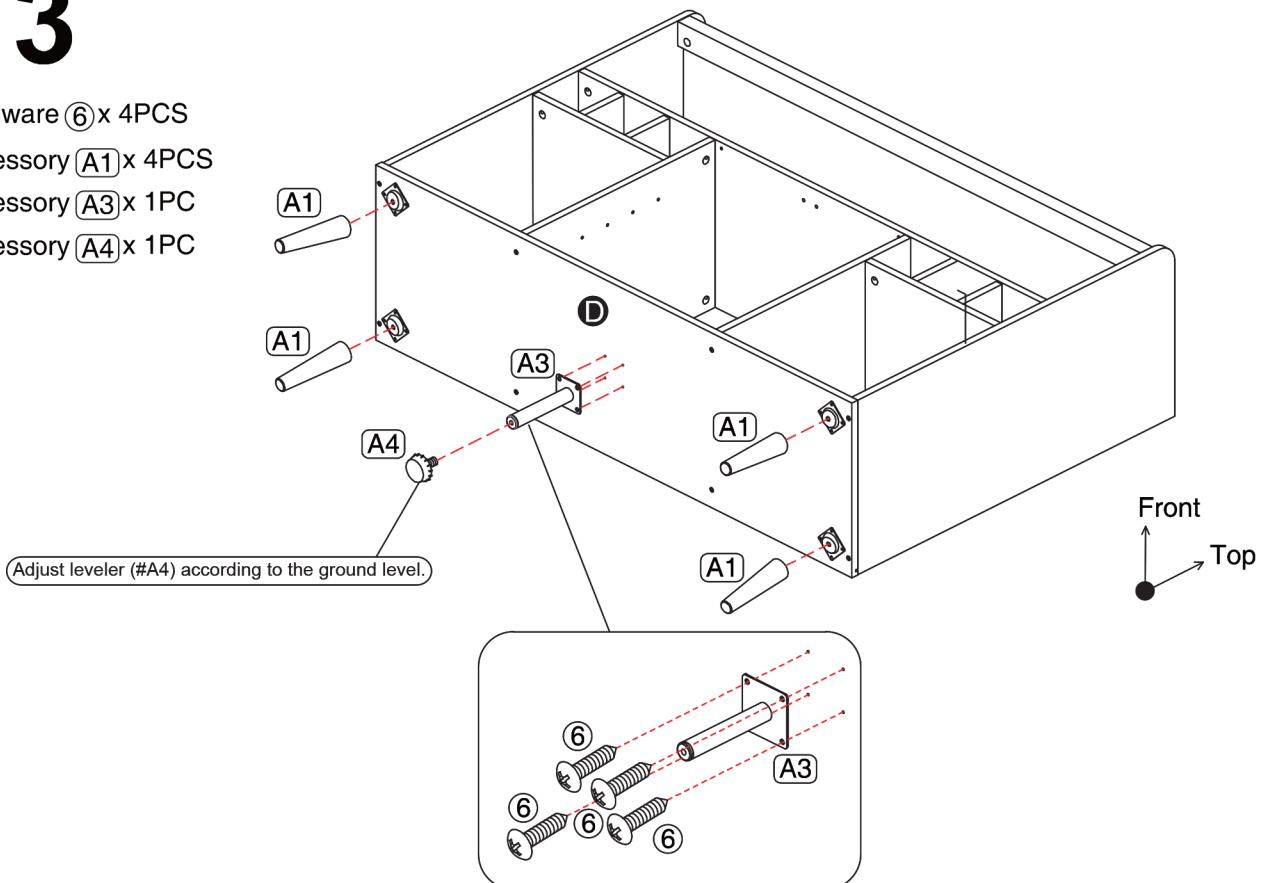
13

Hardware **⑥** x 4PCS

Accessory **A1** x 4PCS

Accessory **A3** x 1PC

Accessory **A4** x 1PC

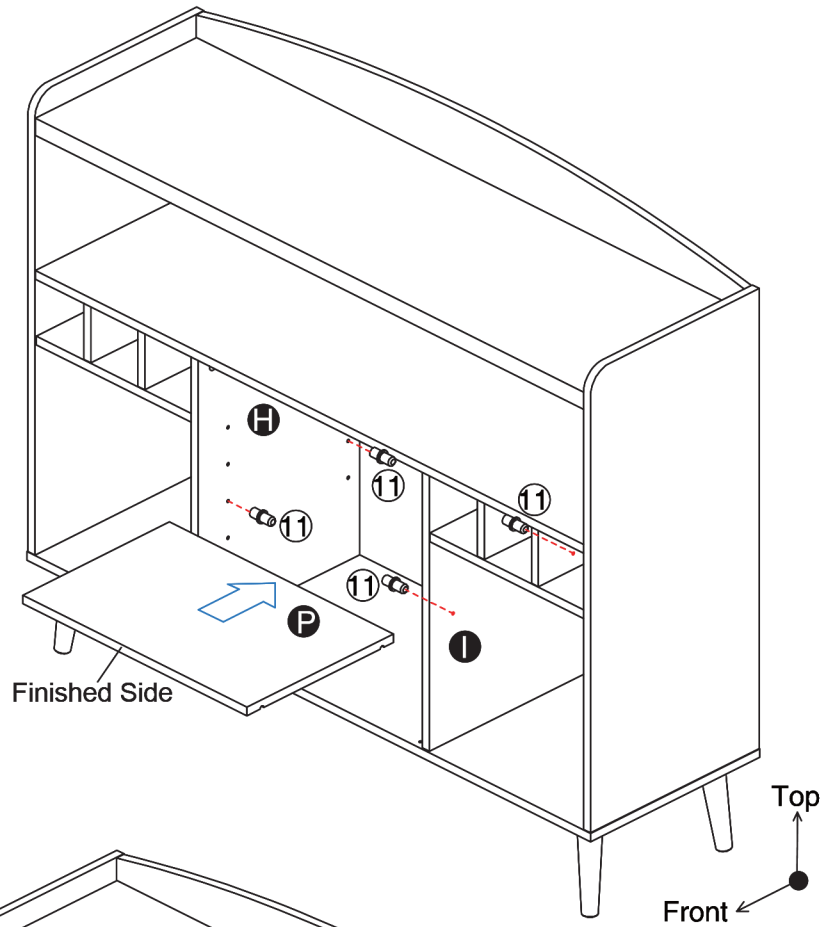
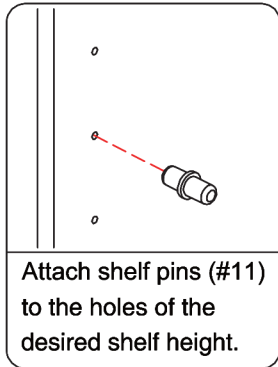


ASSEMBLY INSTRUCTIONS

14

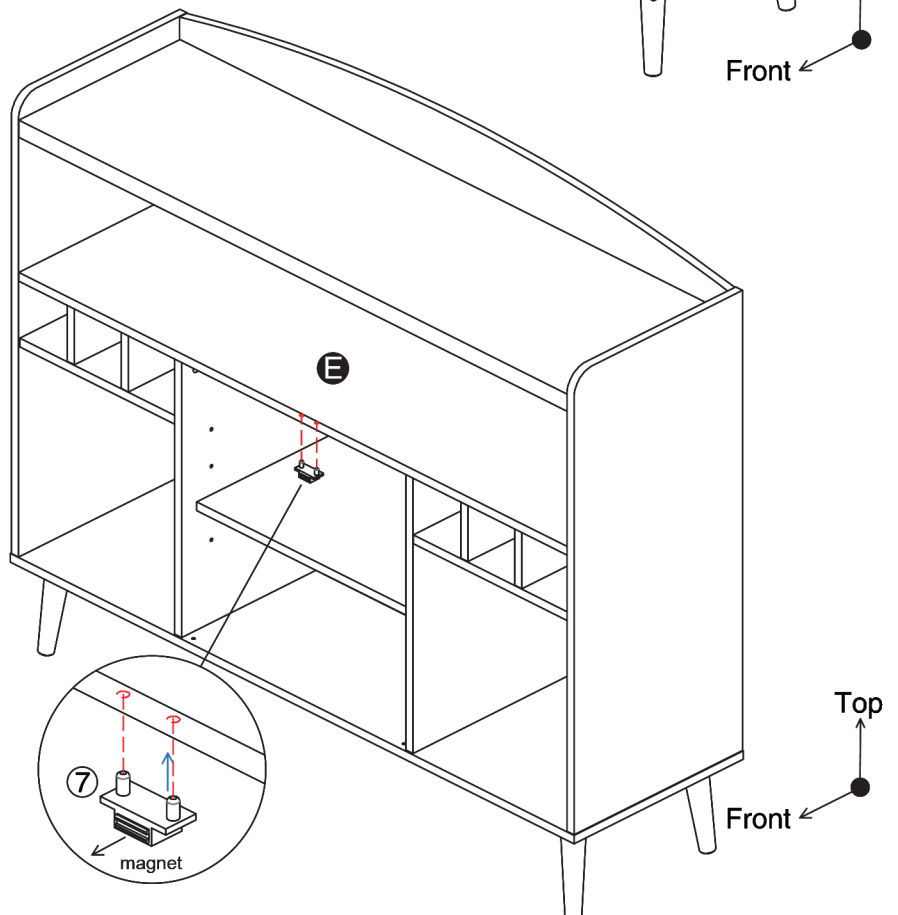
Part **P** x1PC

Hardware **11** x 4PCS



15

Hardware **7** x 1PC

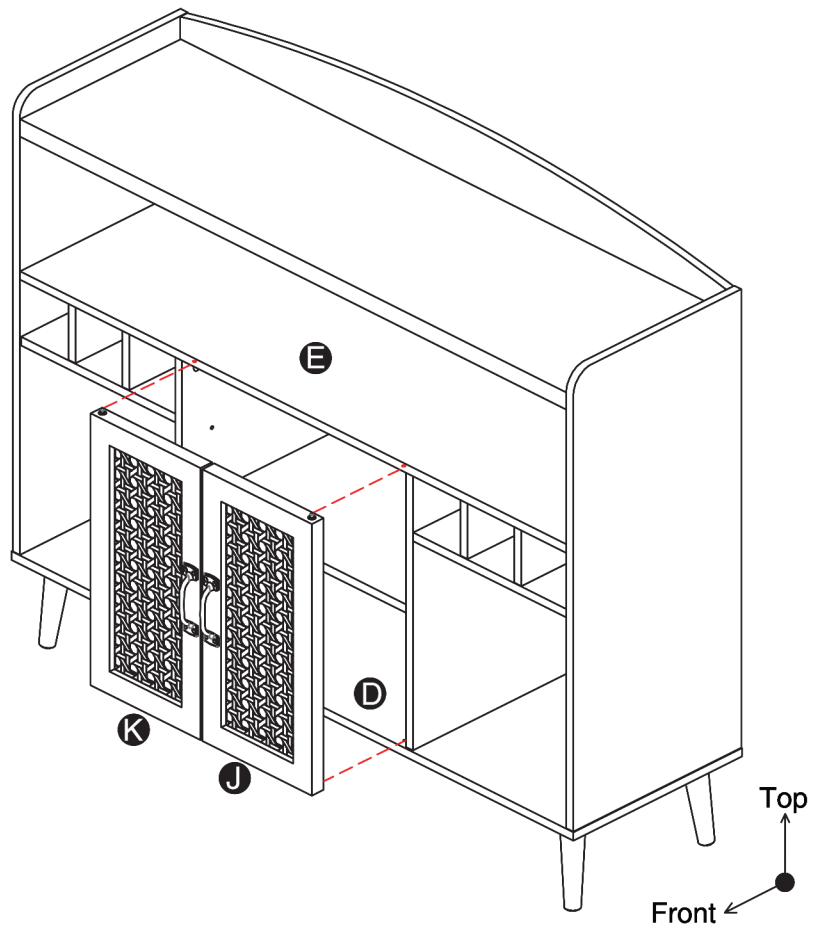
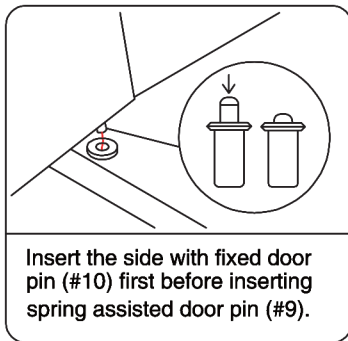


ASSEMBLY INSTRUCTIONS

16

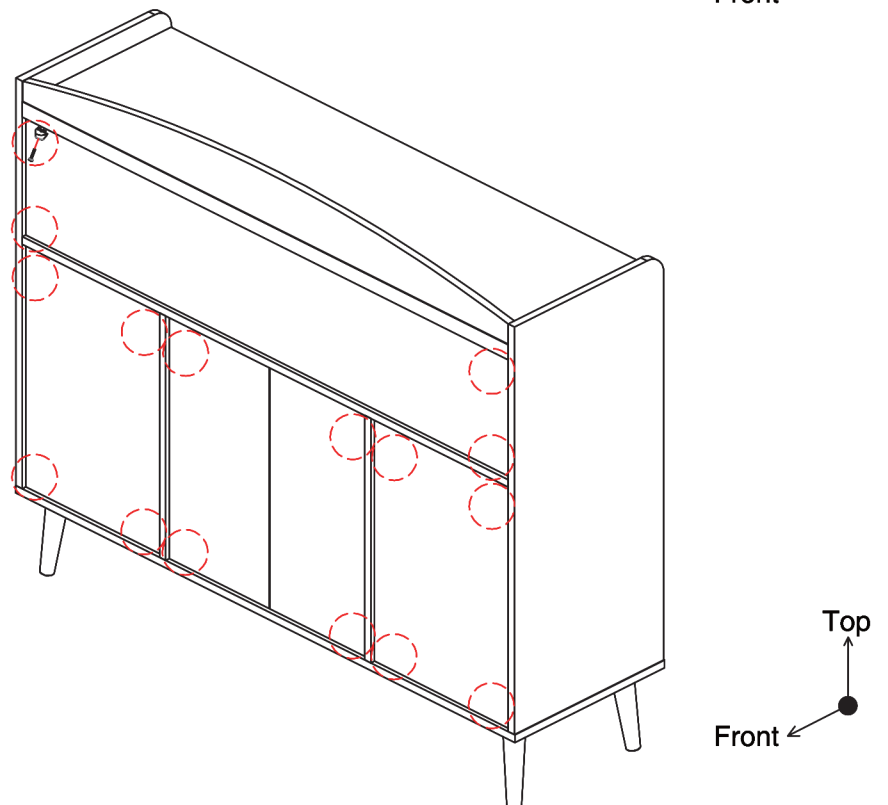
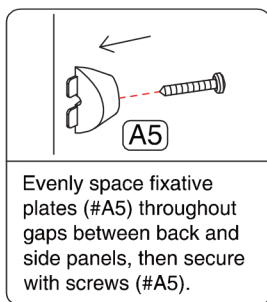
Part **J** x1PC

Part **K** x1PC



17

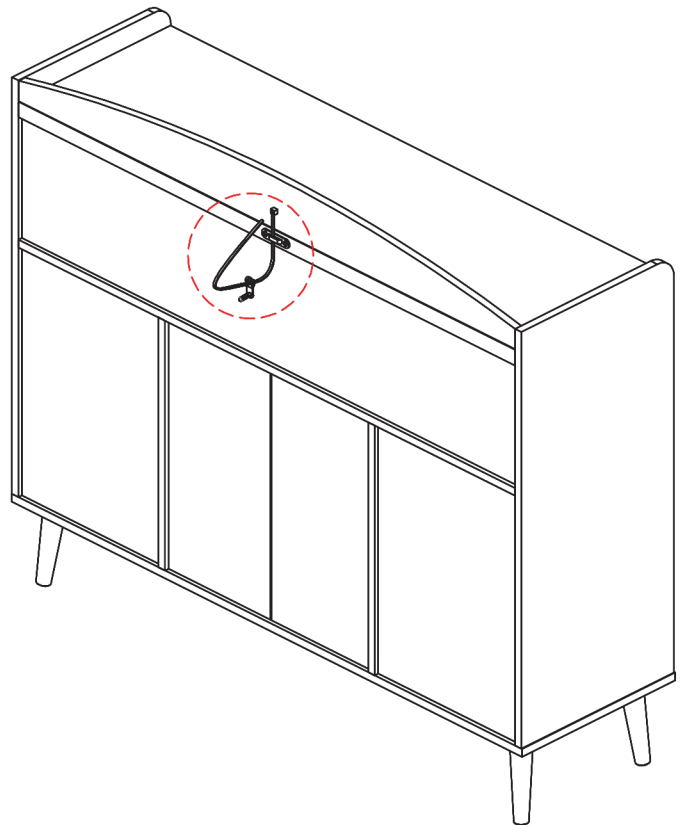
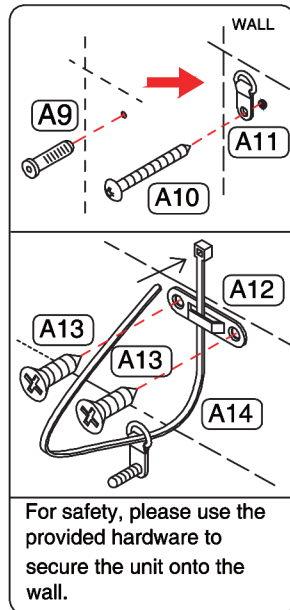
Accessory **A5** x 16SETS



ASSEMBLY INSTRUCTIONS

18

- Accessory (A9) x 1PC
- Accessory (A10) x 1PC
- Accessory (A11) x 1PC
- Accessory (A12) x 1PC
- Accessory (A13) x 2PCS
- Accessory (A14) x 1PC



19

ASSEMBLY COMPLETED



Please ensure the furniture rests on an even and flat surface. If the product wobbles or feels loose, double-check all bolts and/or screws are properly tightened and secured.

✓ Keep this handy!

Please retain this instruction manual and any order-related information for future reference.

✓ Lift, don't drag!

To avoid damage to product please always LIFT the product when transporting or adjusting the placement.

