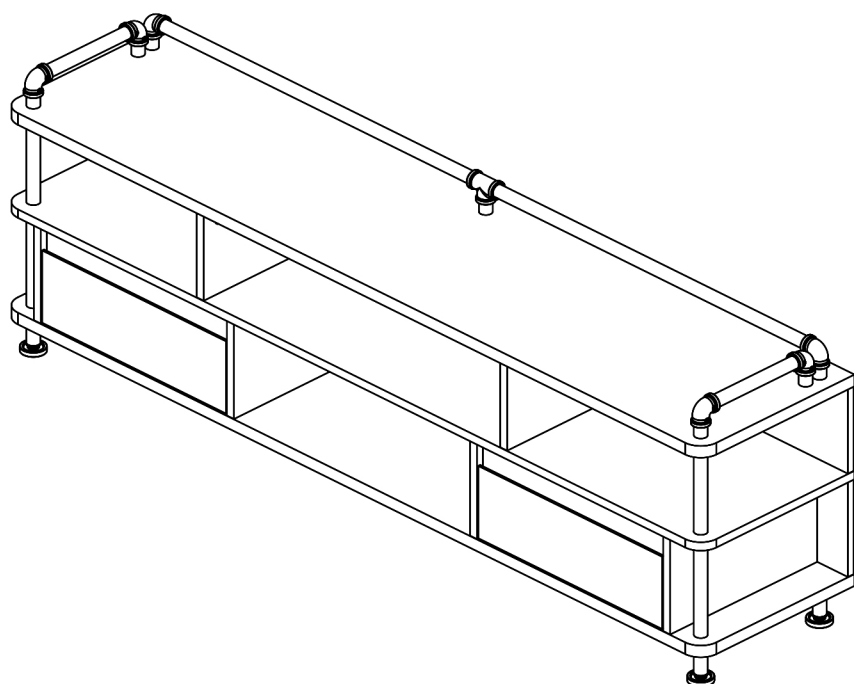


ASSEMBLY INSTRUCTIONS



TOOLS REQUIRED



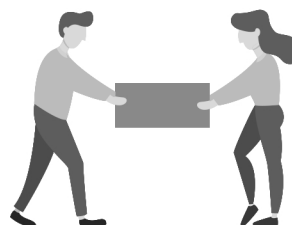
Hammer

(Not Included)



**Philips
Screwdriver**

(Not Included)



**2 - People
Recommended**

ASSEMBLY RATING



EASY —————> DIFFICULT

The Assembly Rating is a 5-point system showing the level of effort needed to assemble a specific product.



CHECK BEFORE STARTING

Are you missing anything?

Double-check all parts, hardware and accessories listed are all accounted for.

Should we send any replacements?

Are there any irregularities or flaws in the parts? We can send replacements!

Check out our Quick Tips!

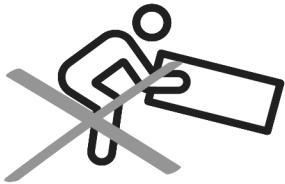
We recommend reviewing the pre-assembly handouts. Even experts need a refresher now and then!

Prep Time!

Please review the assembly instructions and all diagrams prior to assembling. Arrange parts as recommended on Page 7 and group identical hardware together to make assembling easier.

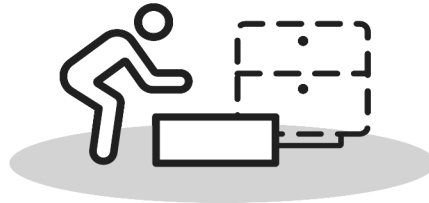
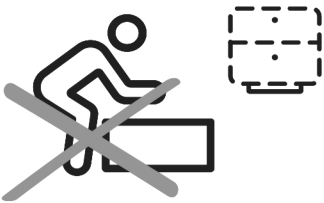
PRE ASSEMBLY INTRODUCTION

We understand building ready-to-assemble furniture can be a challenging experience for some. To help avoid confusion, we have provided some helpful tips that may speed up the process.



Teamwork

ALWAYS have at least two people to help with transporting and assembling the product to avoid potential injury and/or damage.



Suitable Location

Assembling near the area of the intended location is highly recommended.



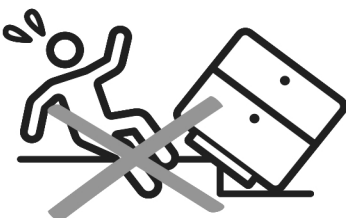
Sufficient Space

Make sure you have enough space to move around during the assembly.



Avoid Scratches

Use cardboard, blankets or a carpeted area while assembling furniture to prevent scratches.



Flat Surface

Make sure the furniture rests on a flat and level surface with each leg evenly touching the floor.

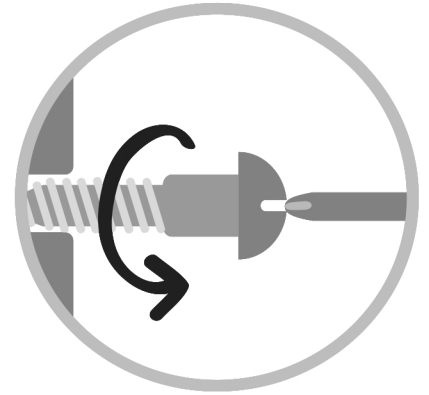
ASSEMBLY AND CARE ADVICE



**FAILURE TO FOLLOW THE GUIDELINES BELOW MAY
RESULT IN INJURY AND/OR PROPERTY DAMAGE.**



Position each part correctly
and insert screws or bolts into
their respective holes.



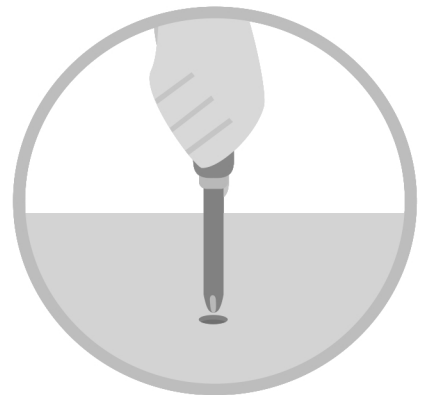
Turn clockwise to tighten and
only tighten when step is
completed or when instructed
to do so.



Use the appropriate hand tools
or power tools for assembly.
Select steps, such as tightening
screws and/or bolts, may require
hand tools to avoid causing
damage during assembly.



Save the instructions and store
any supplied tools for later
maintenance.



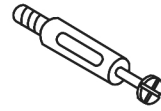
After two weeks, check and
tighten any loose hardware and
repeat again every six months
thereafter.

IT IS THE USER'S RESPONSIBILITY TO MAINTAIN THE FURNITURE. THE HARDWARE MAY LOOSEN OVER TIME AND MAY CAUSE THE FURNITURE TO BE WOBBLY AND UNABLE TO SUPPORT ITS INTENDED WEIGHT CAPACITY. THIS MAY LEAD TO COLLAPSE AND MAY CAUSE SERIOUS INJURY.

CAM LOCK FASTENER ASSEMBLY INSTRUCTIONS

Note :

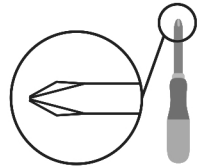
Every cam lock bolt must have a cam lock connector in order to fasten the parts together.



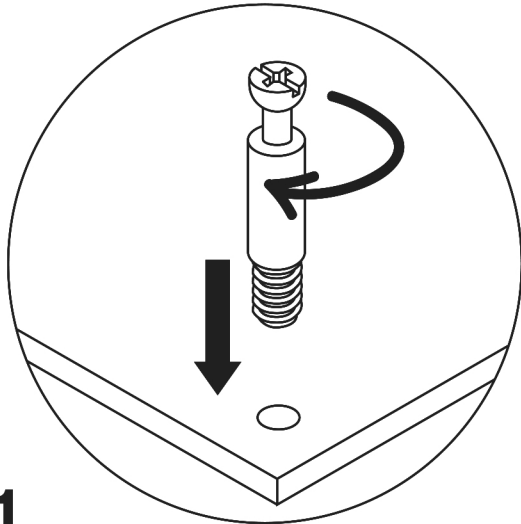
cam bolt



cam lock

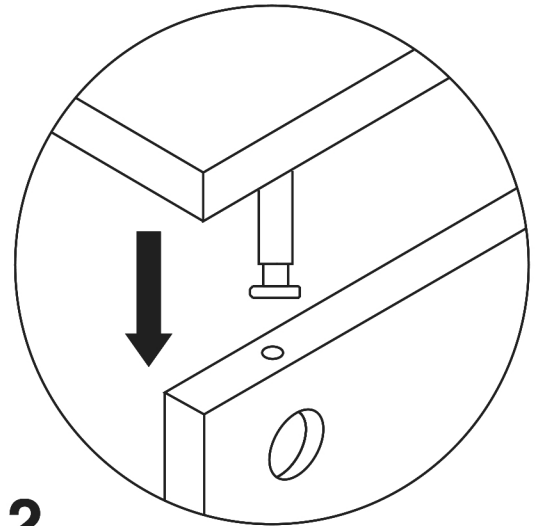


screwdriver



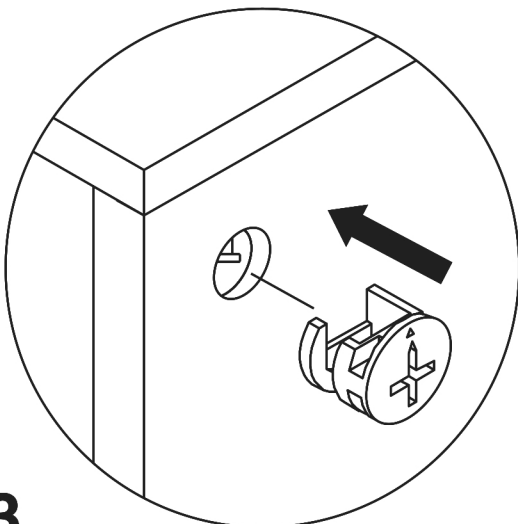
1

Screw the cam bolt into panel.



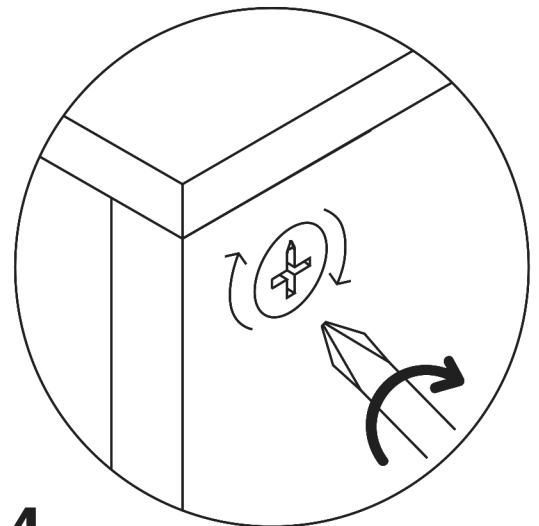
2

Insert the cam bolt into the bolt hole of joint panel.



3

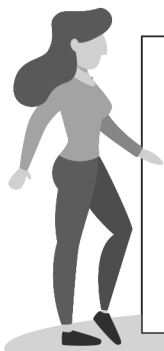
Align the cam lock with its side opening (or arrow) pointing to cam bolt.



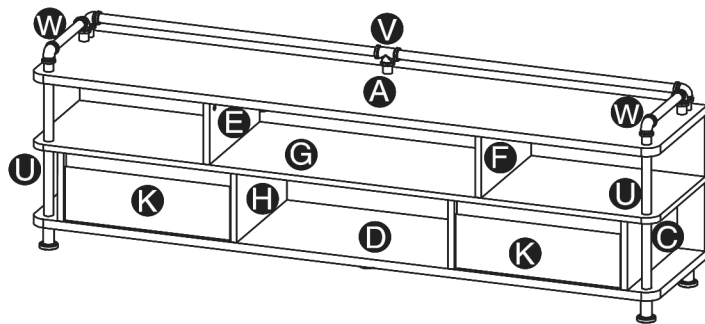
4

Turn the cam lock clockwise gently until it will not turn any more.

TV STAND

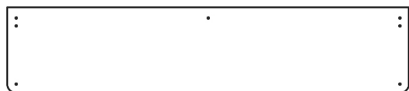


- Please keep instructions for future reference.
- Check the quantity and irregularity of parts and hardware before you start.



PARTS

A1PC



B1PC



C1PC



D1PC



E1PC



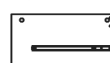
F1PC



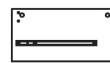
G1PC



H1PC



I1PC



J2PCS



K2PCS



L2PCS



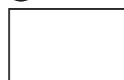
M2PCS



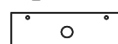
N2PCS



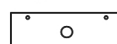
O2PCS



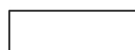
P1PC



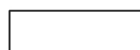
Q1PC



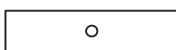
R2PCS



S1PC



T1PC



U2PCS



V1PC

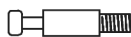


W2PCS



HARDWARE

1 20PCS



2 20PCS

0.47"



3 54PCS

0.98"



4 24PCS

1.49"



5 4Sets



6 4PCS

0.47"



ACCESSORIES

A1 5PCS



A2 20PCS

0.47"



A3 1PC



A4 2PCS



A5 7PCS



A6 5PCS



A7 2PCS



A8 8PCS



GET READY

Please group boards as below.

L 2PCS



M 2PCS



N 2PCS



O 2PCS

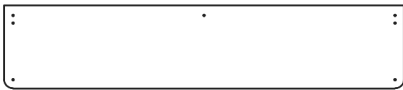


K 2PCS



Drawer

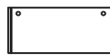
A 1PC



E 1PC



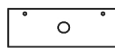
F 1PC



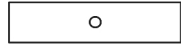
P 1PC



Q 1PC



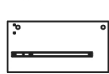
T 1PC



G 1PC



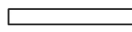
B 1PC



H 1PC



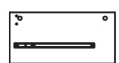
J 2PCS



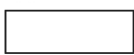
C 1PC



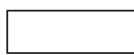
I 1PC



R 2PCS



S 1PC



D 1PC



V 1PC



W 2PCS



U 2PCS

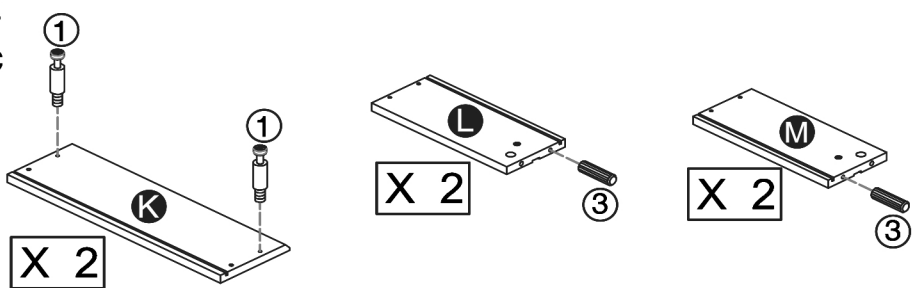


Body

ASSEMBLY INSTRUCTIONS

1

- Hardware ① x 4PCS
- Hardware ③ x 4PCS
- Accessory (A7) x 1PC

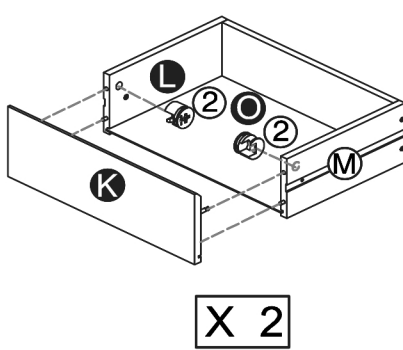
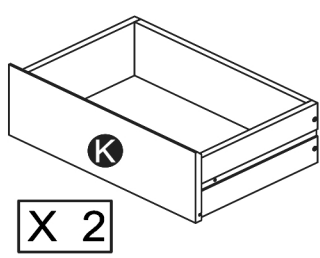
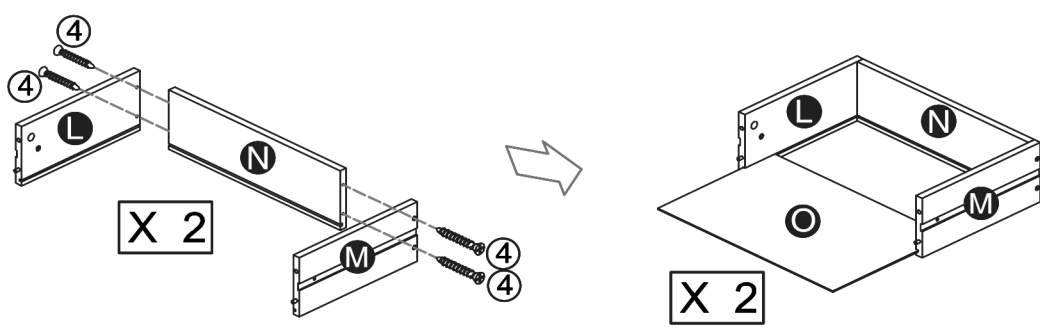


OPTIONAL

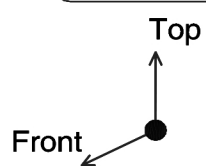
Apply a dab of glue into dowel holes of panels before inserting dowels (#3).

2

- Part (K) x2PCS
- Part (L) x2PCS
- Part (M) x2PCS
- Part (N) x2PCS
- Part (O) x2PCS
- Hardware ② x 4PCS
- Hardware ④ x 8PCS



Please refer to Page 5 for detailed instructions on how to fasten cam locks (#2) to cam bolts (#1).



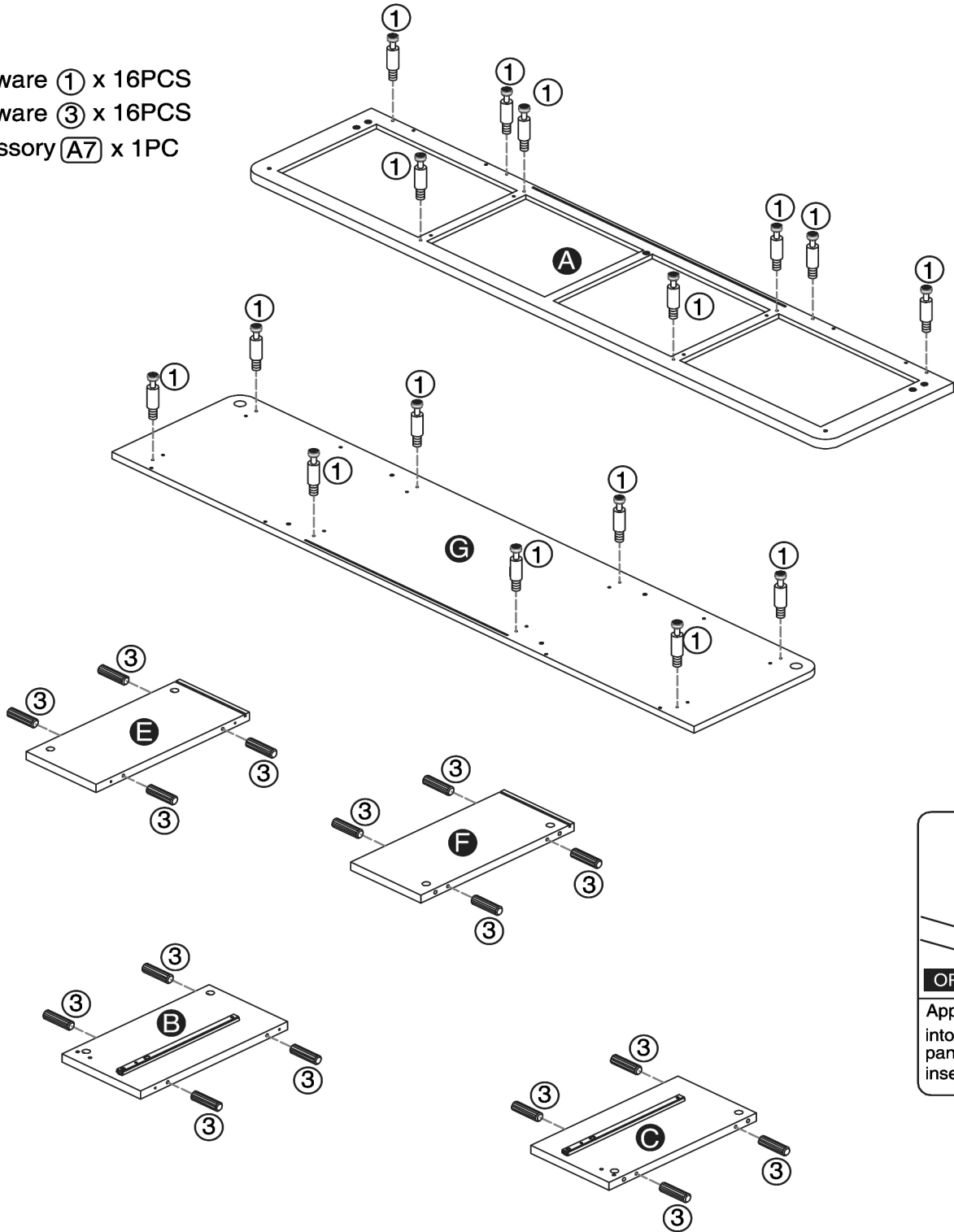
ASSEMBLY INSTRUCTIONS

3

Hardware ① x 16PCS

Hardware ③ x 16PCS

Accessory (A7) x 1PC



OPTIONAL

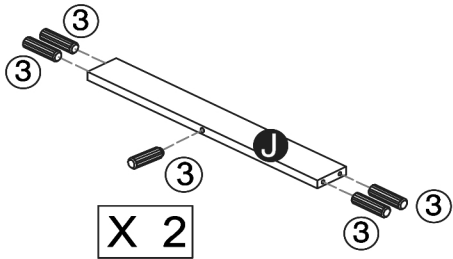
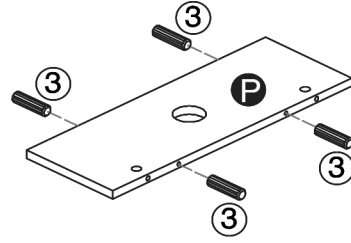
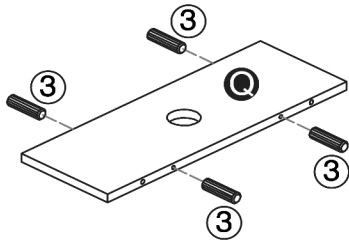
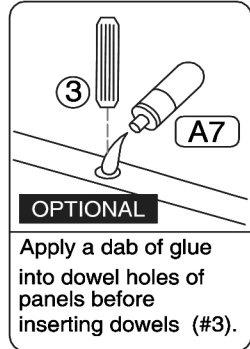
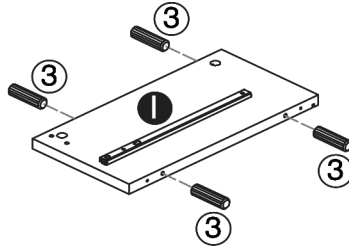
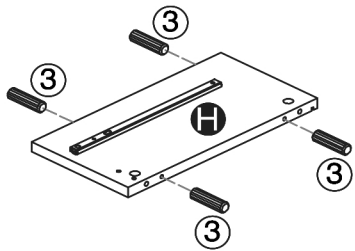
Apply a dab of glue into dowel holes of panels before inserting dowels (#3).

ASSEMBLY INSTRUCTIONS

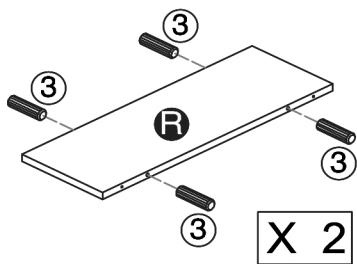
4

Hardware (3) x 34PCS

Accessory (A7) x 1PC



X 2

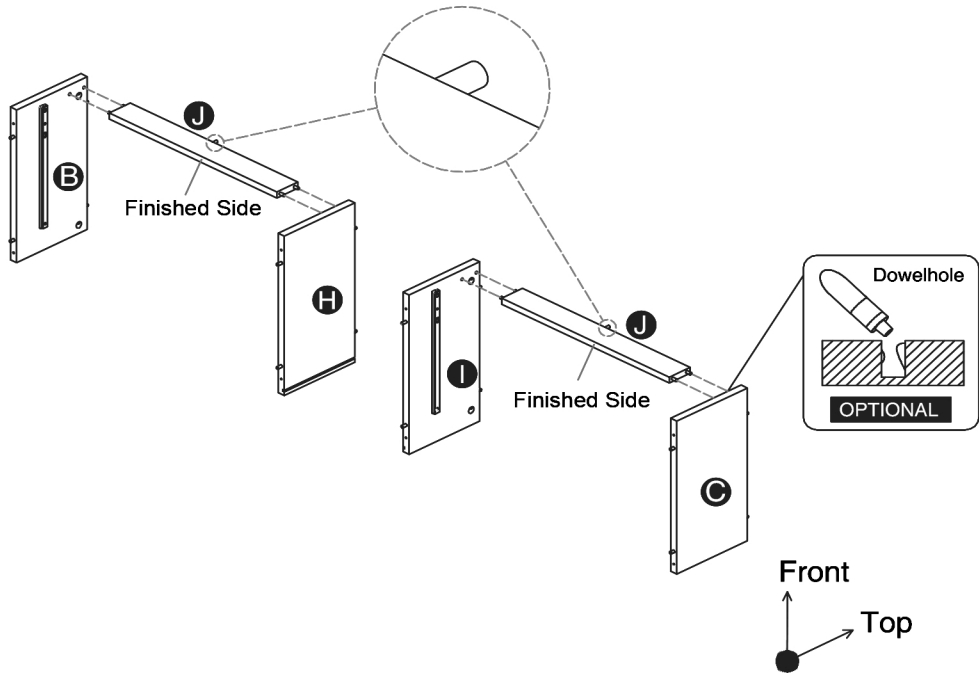


X 2

ASSEMBLY INSTRUCTIONS

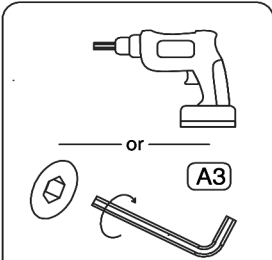
5

- Part **B** x1PC
- Part **C** x1PC
- Part **H** x1PC
- Part **I** x1PC
- Part **J** x2PCS



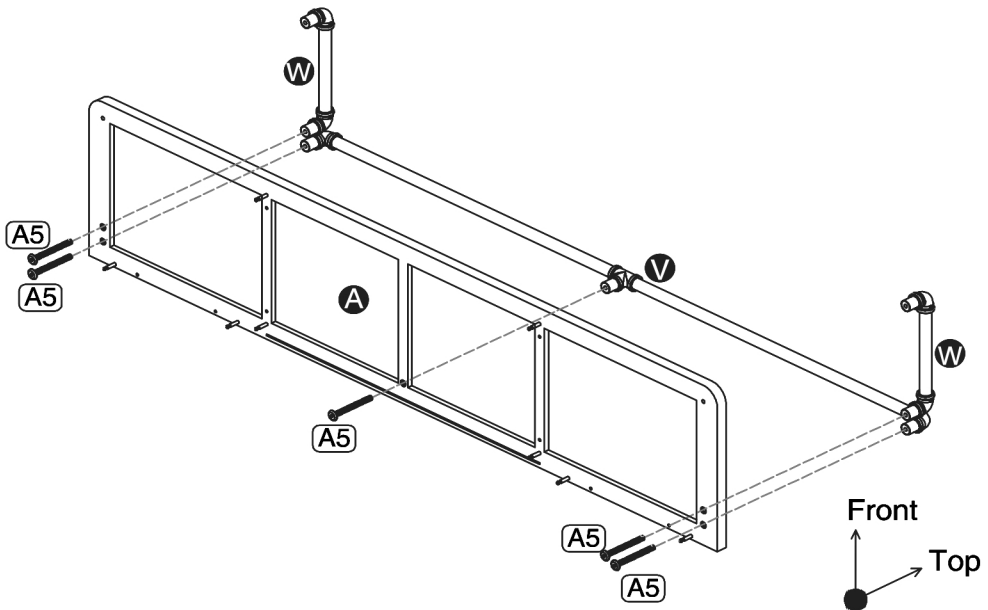
6

- Part **A** x1PC
- Part **V** x1PC
- Part **W** x2PCS
- Accessory **A3** x 1PC
- Accessory **A5** x 5PCS



RECOMMEND

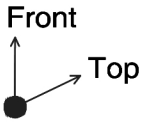
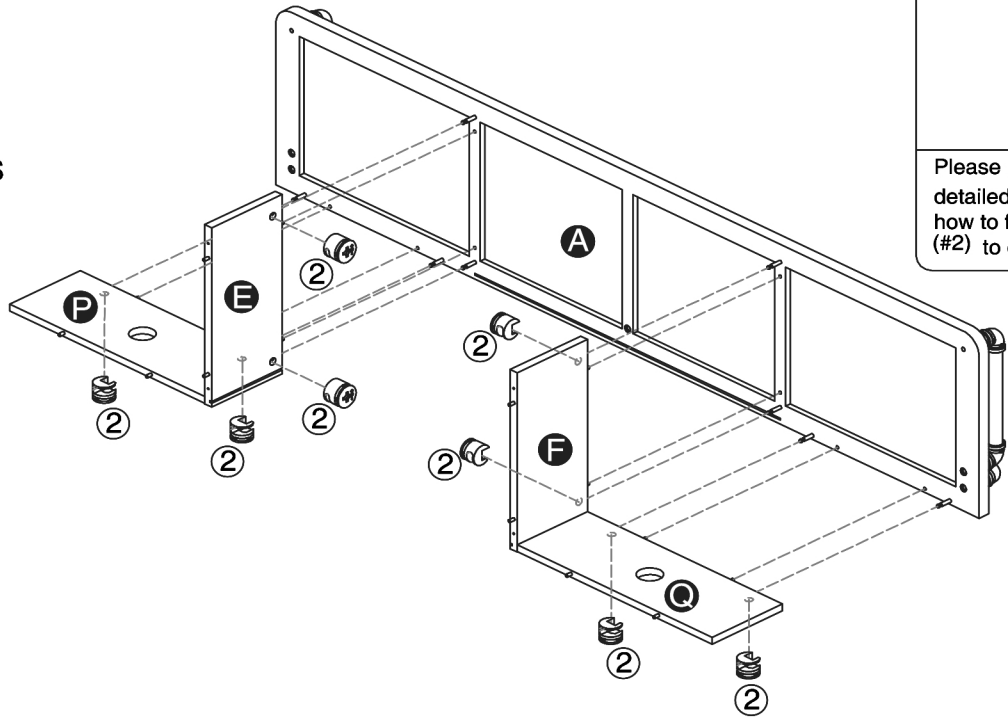
Recommend using a power tool to only tighten hardware (#A5) faster. Accessory (#A3) could also work for hardware (#A5) if a power tool is not present.



ASSEMBLY INSTRUCTIONS

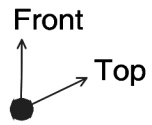
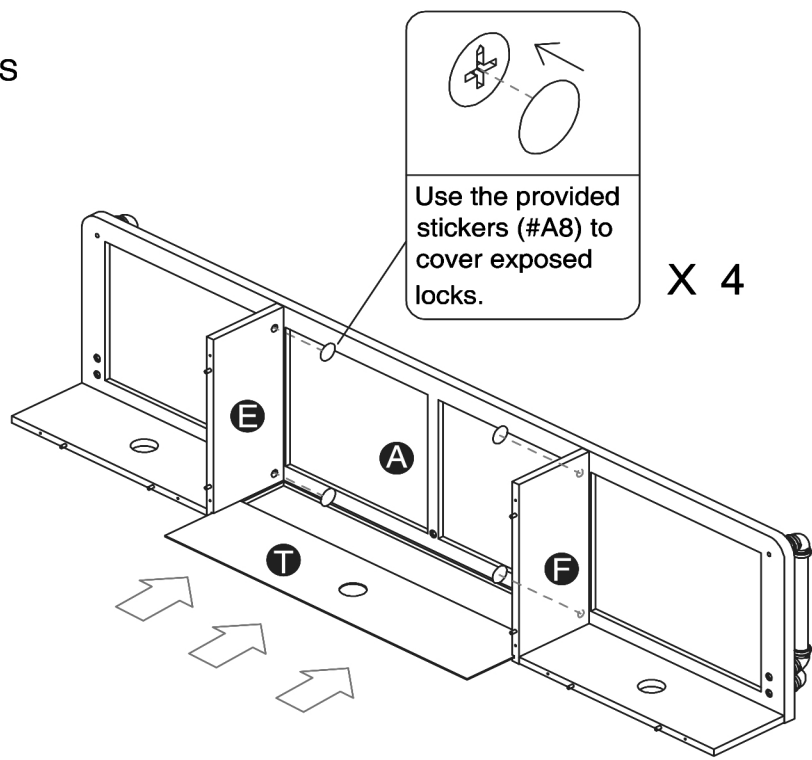
7

- Part **E** x1PC
- Part **F** x1PC
- Part **P** x1PC
- Part **Q** x1PC
- Hardware **(2)** x 8PCS



8

- Part **T** x1PC
- Accessory **(A8)** x 4PCS

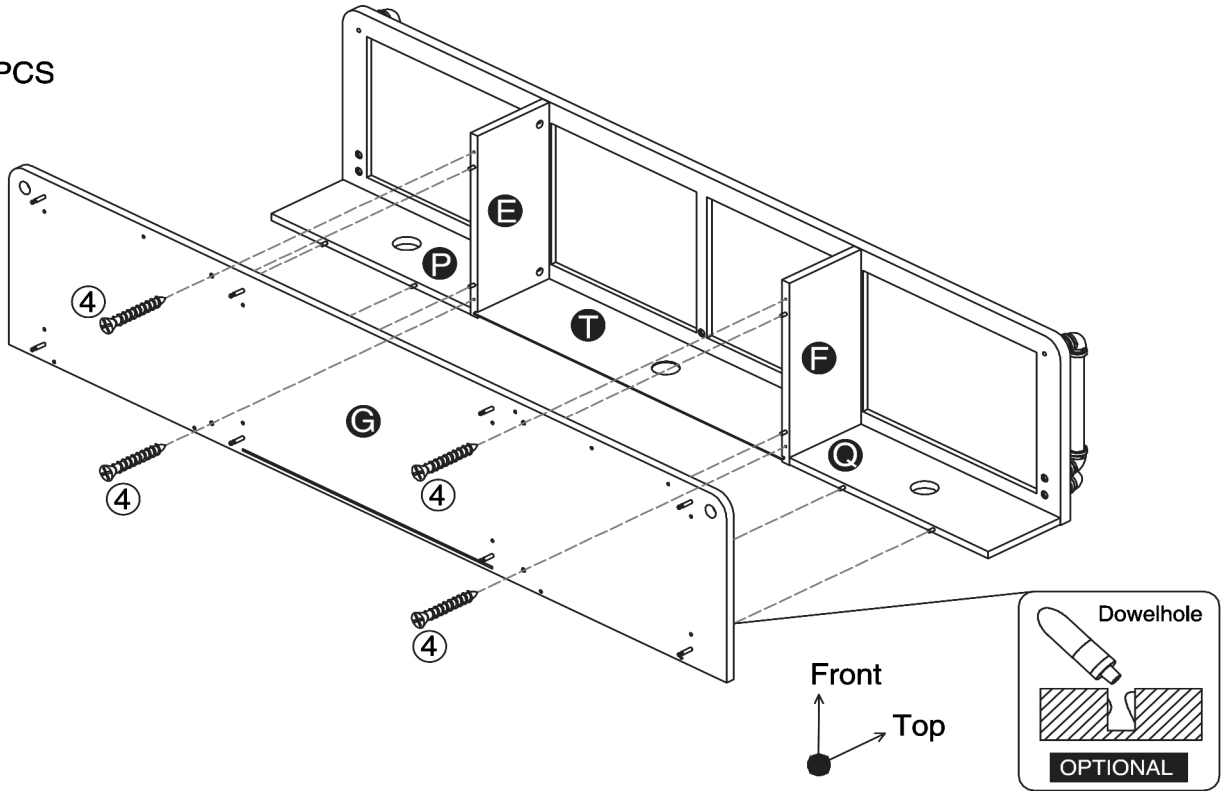


ASSEMBLY INSTRUCTIONS

9

Part **G** x1PC

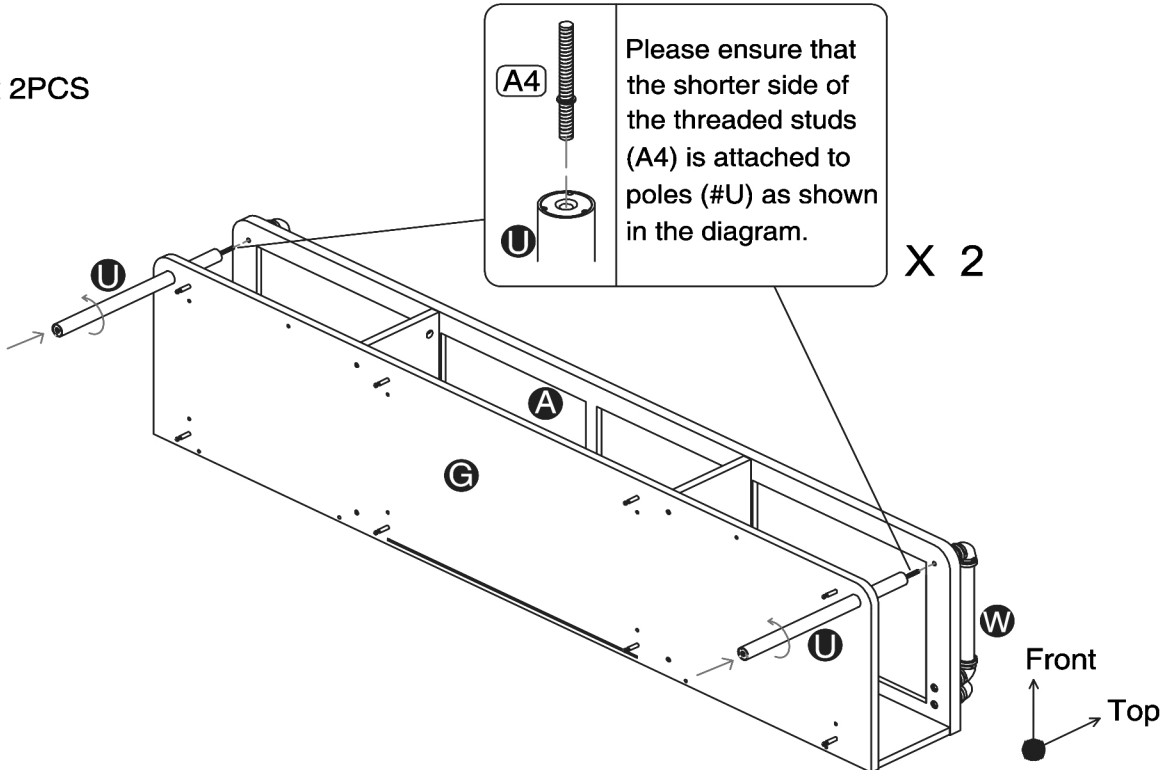
Hardware **4** x 4PCS



10

Part **U** x2PCS

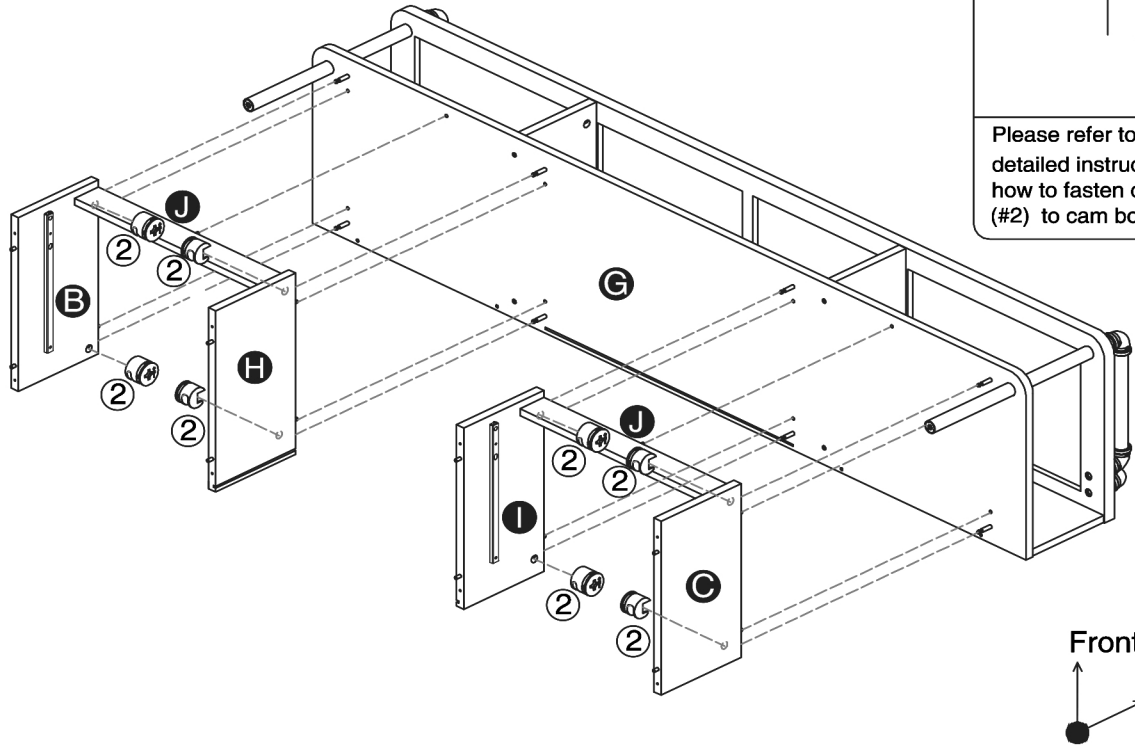
Accessory **A4** x 2PCS



ASSEMBLY INSTRUCTIONS

11

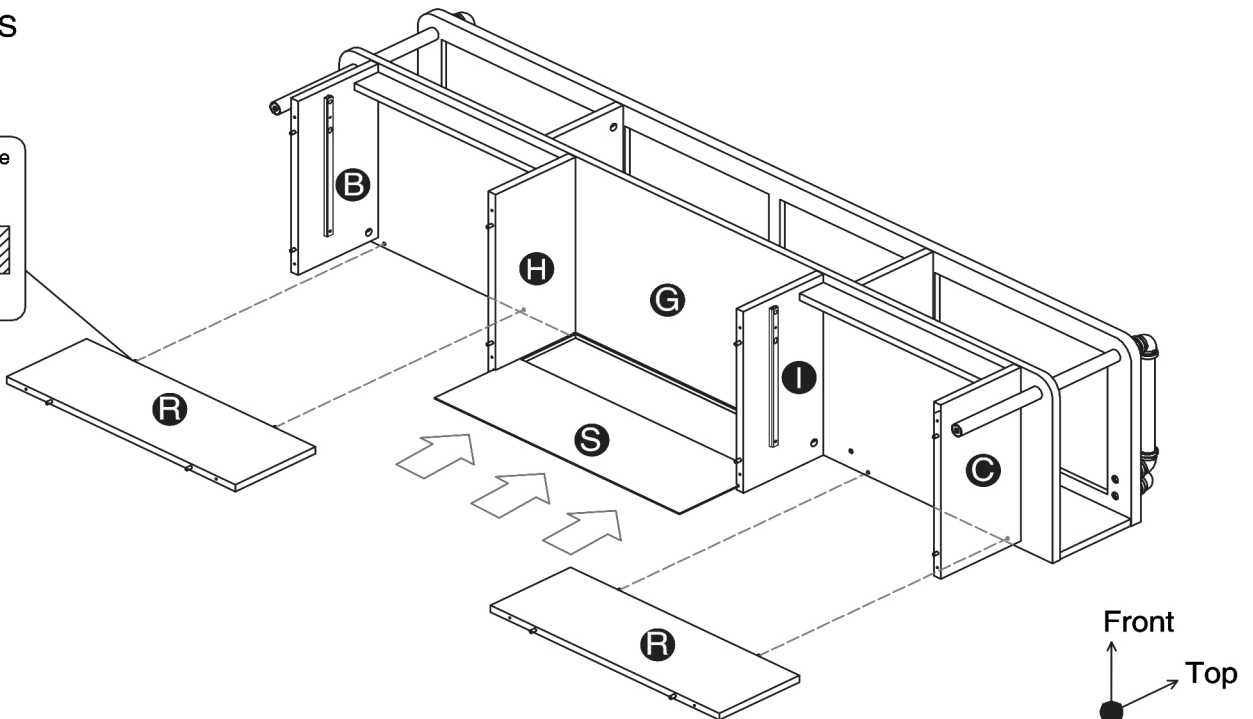
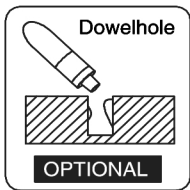
Hardware ②x 8PCS



12

Part ① x2PCS

Part ② x1PC



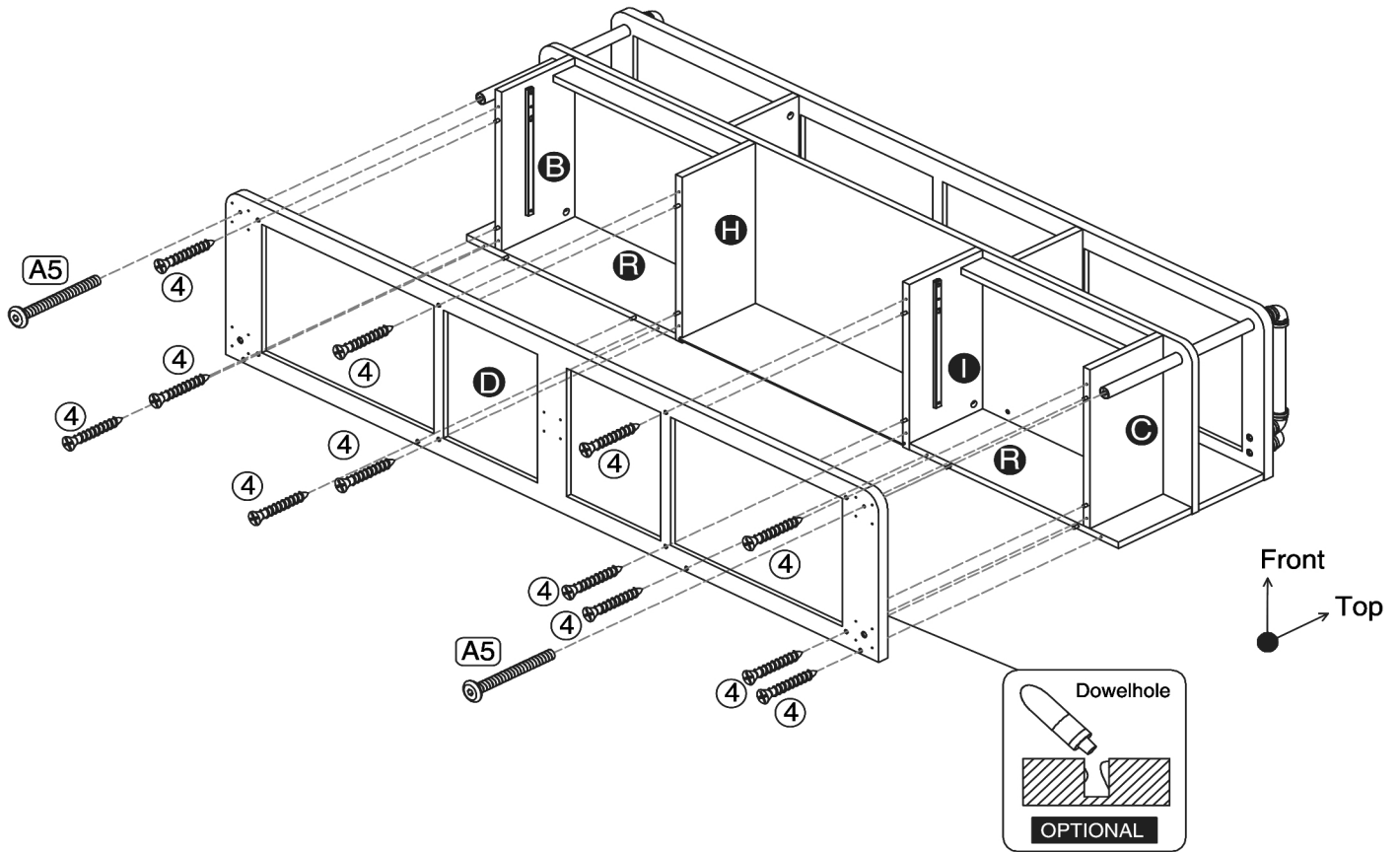
ASSEMBLY INSTRUCTIONS

13

Part **D** x1PC

Hardware **4** x 12PCS

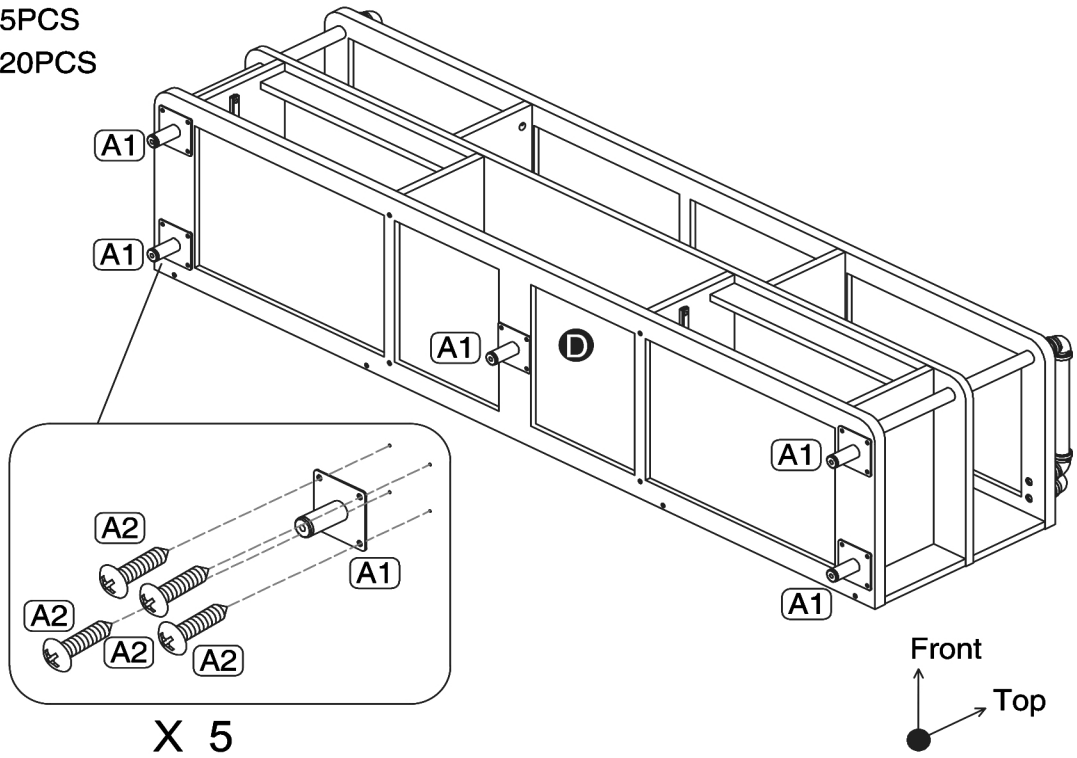
Accessory **A5** x 2PCS



ASSEMBLY INSTRUCTIONS

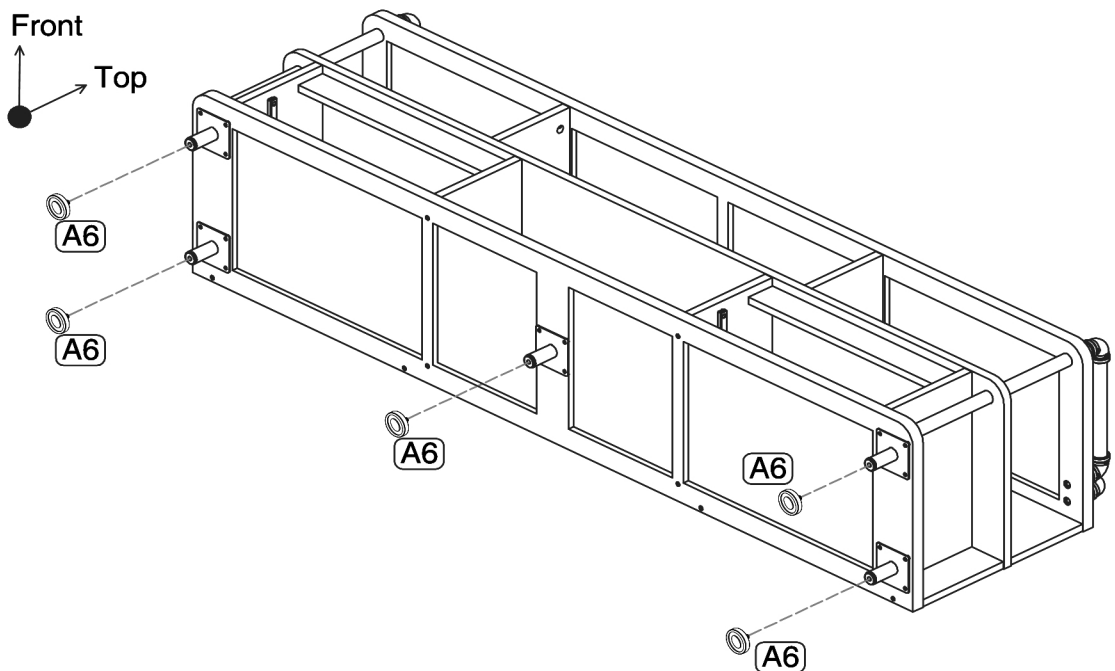
14

Accessory **A1** x 5PCS
Accessory **A2** x 20PCS



15

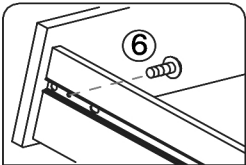
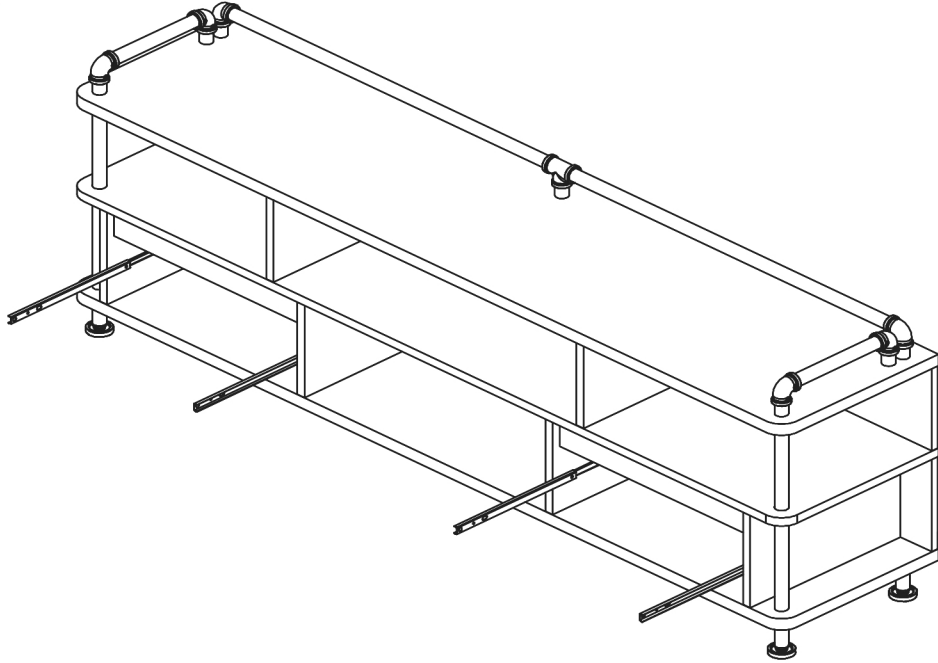
Accessory **A6** x 5PCS



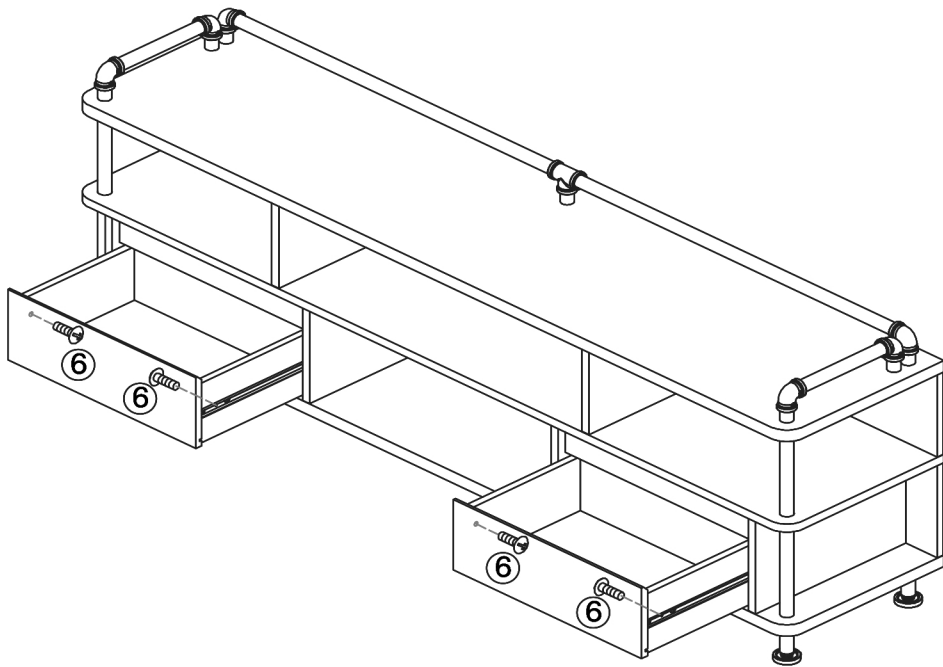
ASSEMBLY INSTRUCTIONS

16

Hardware ⑥ x 4PCS



Fully extend drawer rails then align the rail's smallest hole to the drawer side panel's holes. Secure with bolts (#6).

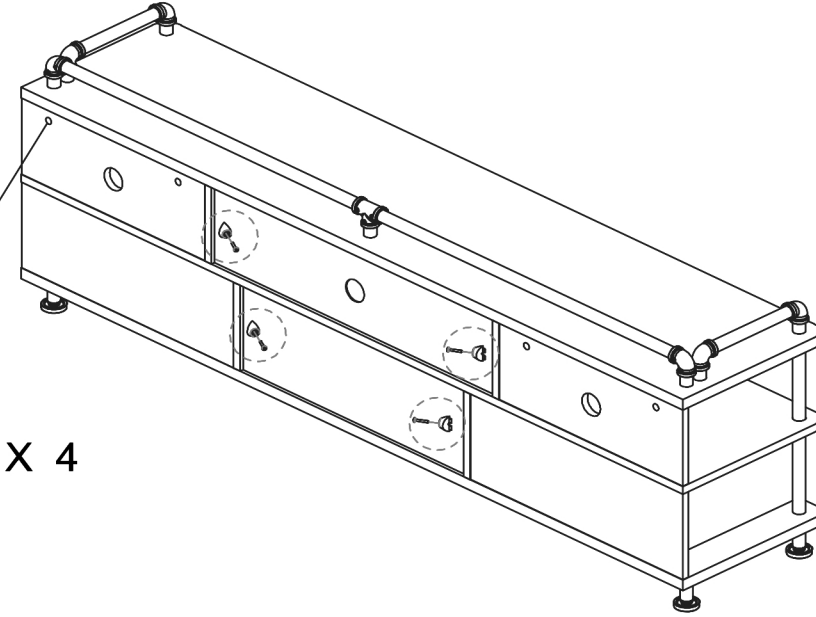
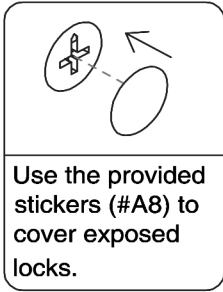


ASSEMBLY INSTRUCTIONS

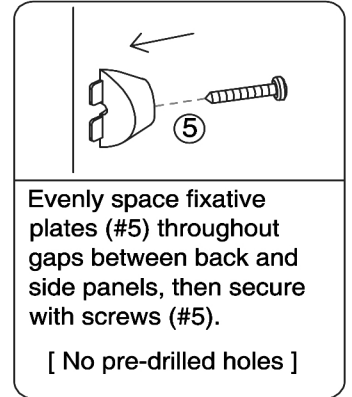
17

Hardware ⑤ x 4Sets

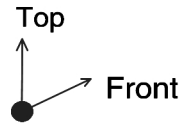
Accessory (A8) x 4PCS



X 4



X 4



18

ASSEMBLY COMPLETED



Please ensure the furniture rests on an even and flat surface. If the product wobbles or feels loose, double-check all bolts and/or screws are properly tightened and secured.



Keep this handy!

Please retain this instruction manual and any order-related information for future reference.



Lift, don't drag!

To avoid damage to product please always LIFT the product when transporting or adjusting the placement.

