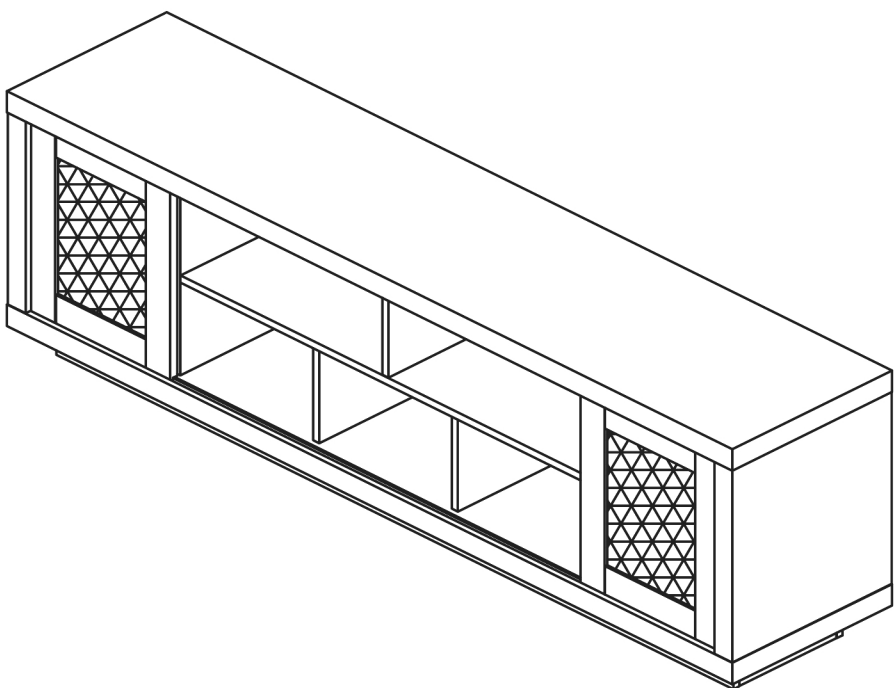


ASSEMBLY INSTRUCTIONS



TOOLS REQUIRED



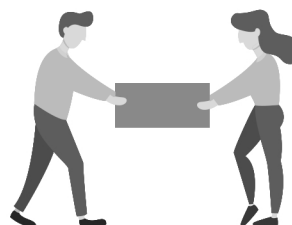
Hammer

(Not Included)



**Philips
Screwdriver**

(Not Included)



**2 - People
Recommended**

ASSEMBLY RATING



EASY —————> DIFFICULT

The Assembly Rating is a 5-point system showing the level of effort needed to assemble a specific product.



CHECK BEFORE STARTING

Are you missing anything?

Double-check all parts, hardware and accessories listed are all accounted for.

Should we send any replacements?

Are there any irregularities or flaws in the parts? We can send replacements!

Check out our Quick Tips!

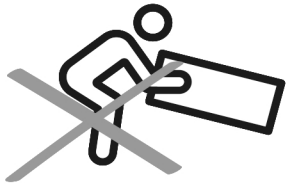
We recommend reviewing the pre-assembly handouts. Even experts need a refresher now and then!

Prep Time!

Please review the assembly instructions and all diagrams prior to assembling. Arrange parts as recommended on Page 7 and group identical hardware together to make assembling easier.

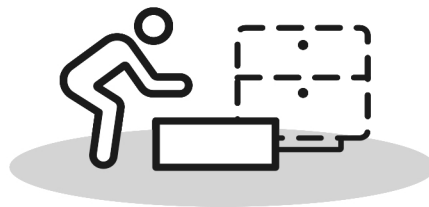
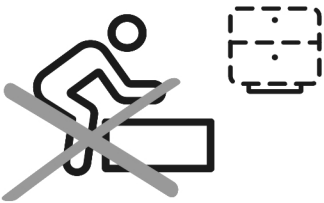
PRE ASSEMBLY INTRODUCTION

We understand building ready-to-assemble furniture can be a challenging experience for some. To help avoid confusion, we have provided some helpful tips that may speed up the process.



Teamwork

ALWAYS have at least two people to help with transporting and assembling the product to avoid potential injury and/or damage.



Suitable Location

Assembling near the area of the intended location is highly recommended.



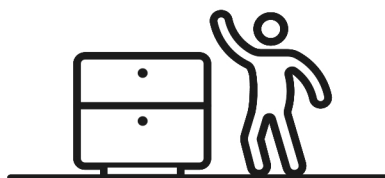
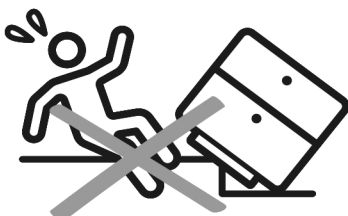
Sufficient Space

Make sure you have enough space to move around during the assembly.



Avoid Scratches

Use cardboard, blankets or a carpeted area while assembling furniture to prevent scratches.



Flat Surface

Make sure the furniture rests on a flat and level surface with each leg evenly touching the floor.

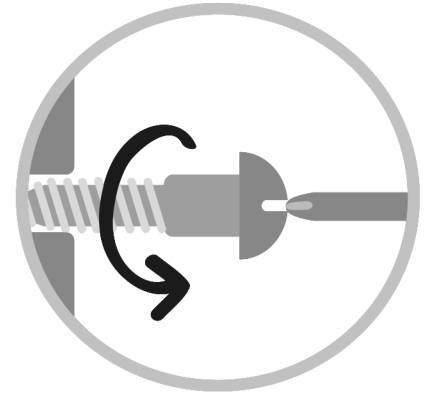
ASSEMBLY AND CARE ADVICE



**FAILURE TO FOLLOW THE GUIDELINES BELOW MAY
RESULT IN INJURY AND/OR PROPERTY DAMAGE.**



Position each part correctly
and insert screws or bolts into
their respective holes.



Turn clockwise to tighten and
only tighten when step is
completed or when instructed
to do so.



Use the appropriate hand tools
or power tools for assembly.
Select steps, such as tightening
screws and/or bolts, may require
hand tools to avoid causing
damage during assembly.



Save the instructions and store
any supplied tools for later
maintenance.



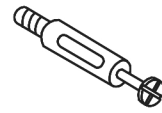
After two weeks, check and
tighten any loose hardware and
repeat again every six months
thereafter.

IT IS THE USER'S RESPONSIBILITY TO MAINTAIN THE FURNITURE. THE HARDWARE MAY LOOSEN OVER TIME AND MAY CAUSE THE FURNITURE TO BE WOBBLY AND UNABLE TO SUPPORT ITS INTENDED WEIGHT CAPACITY. THIS MAY LEAD TO COLLAPSE AND MAY CAUSE SERIOUS INJURY.

CAM LOCK FASTENER ASSEMBLY INSTRUCTIONS

Note :

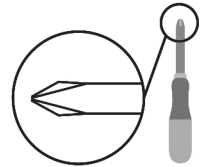
Every cam lock bolt must have a cam lock connector in order to fasten the parts together.



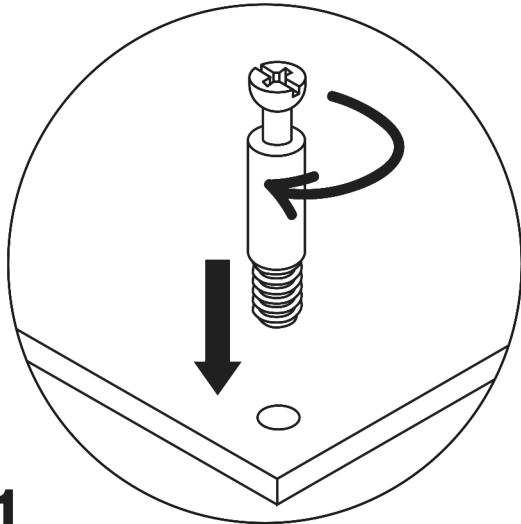
cam bolt



cam lock

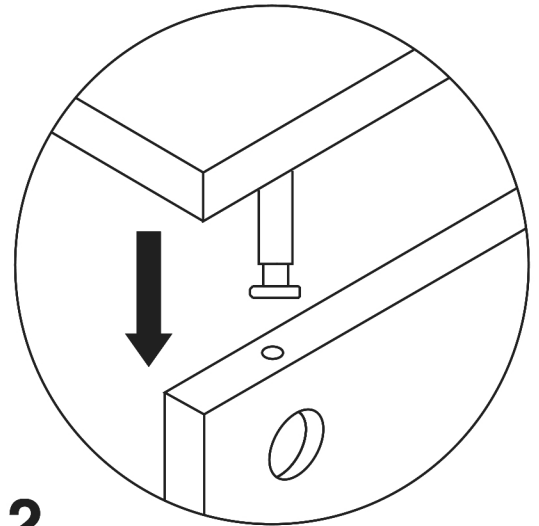


screwdriver



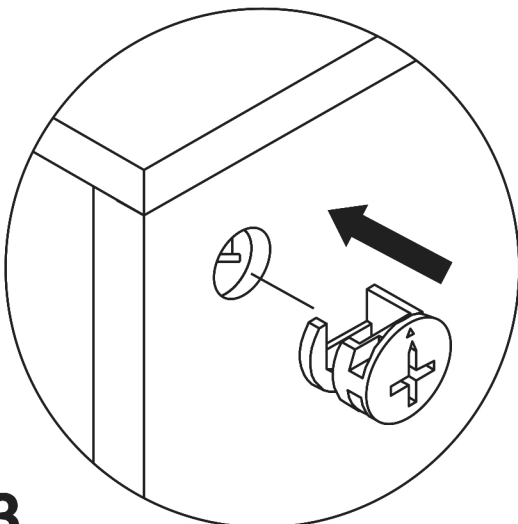
1

Screw the cam bolt into panel.



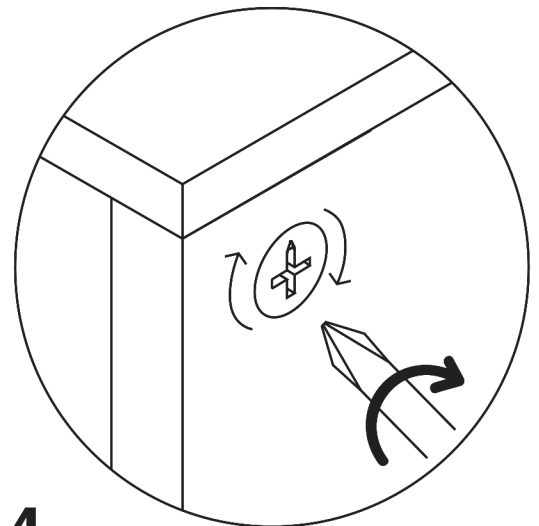
2

Insert the cam bolt into the bolt hole of joint panel.



3

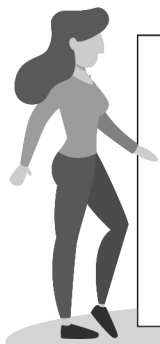
Align the cam lock with its side opening (or arrow) pointing to cam bolt.



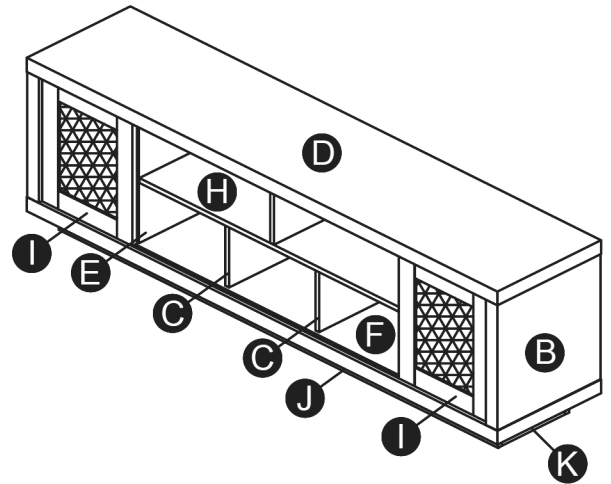
4

Turn the cam lock clockwise gently until it will not turn any more.

BUFFET

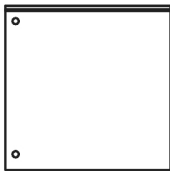


- Please keep instructions for future reference.
- Check the quantity and irregularity of parts and hardware before you start.

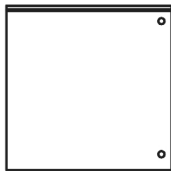


PARTS

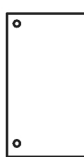
A 1PC



B 1PC



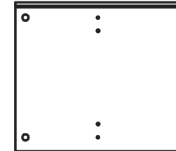
C 3PCS



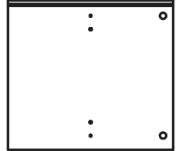
D 1PC



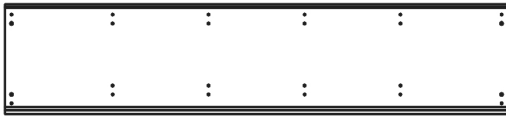
E 1PC



G 1PC



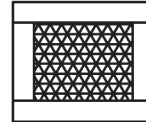
F 1PC



H 1PC



I 2PCS



N 2PCS



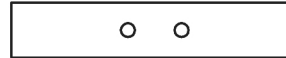
J 2PCS



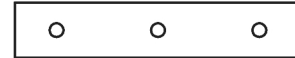
K 3PCS



L 1PC

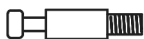


M 1PC



HARDWARE

① 21PCS



② 17PCS

0.47"



③ 4PCS

0.75"



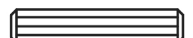
④ 40PCS

0.98"



⑤ 8PCS

1.57"



⑥ 2PCS

1.5"



⑦ 12PCS

1.97"



⑧ 4PCS

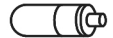


MS 1350

⑨ 10PCS



⑩ 2PCS



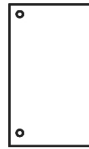
GET READY

Please group boards as below.

H 1PC



C 3PCS



E 1PC



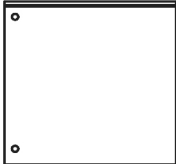
G 1PC



M 1PC



A 1PC



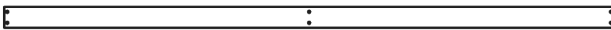
B 1PC



F 1PC



J 2PCS



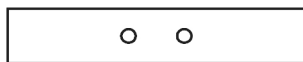
K 3PCS



N 2PCS



L 1PC

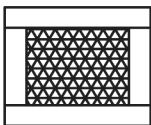


D 1PC



Body

I 2PCS



Doors

ASSEMBLY INSTRUCTIONS

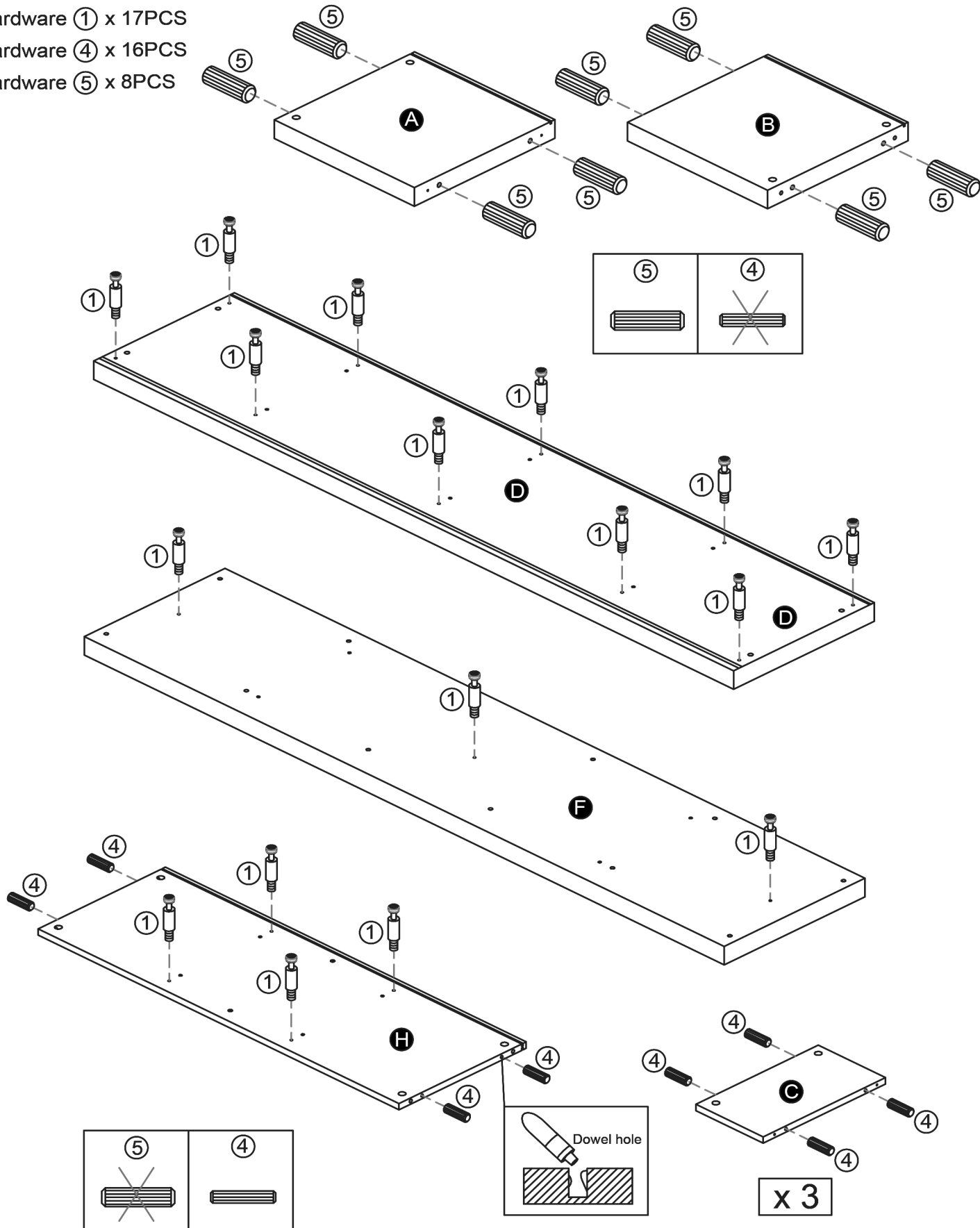
STEP : 1

Use dowels (#5) on panels (#A,B).

Hardware ① x 17PCS

Hardware ④ x 16PCS

Hardware ⑤ x 8PCS



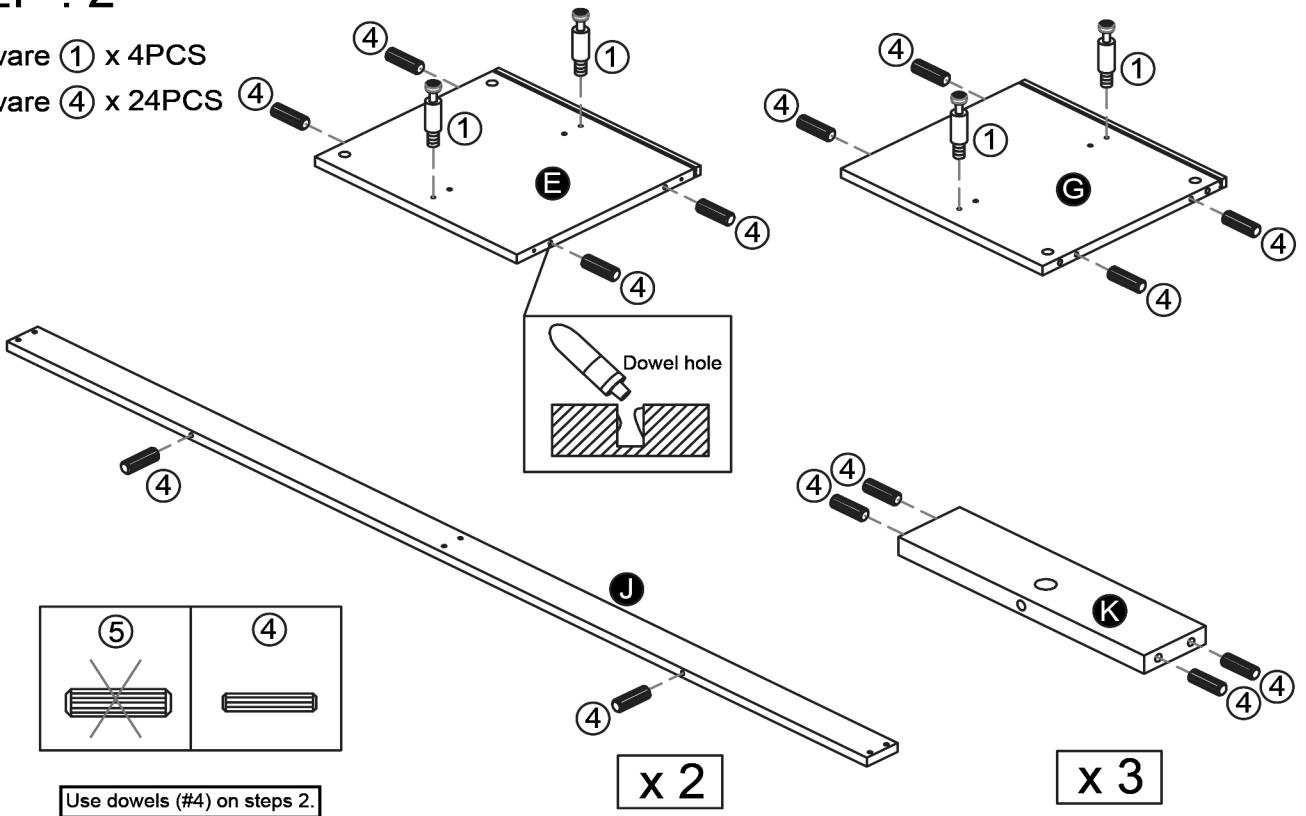
Use dowels (#4) on panels (#H,C).

ASSEMBLY INSTRUCTIONS

STEP : 2

Hardware ① x 4PCS

Hardware ④ x 24PCS



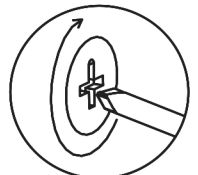
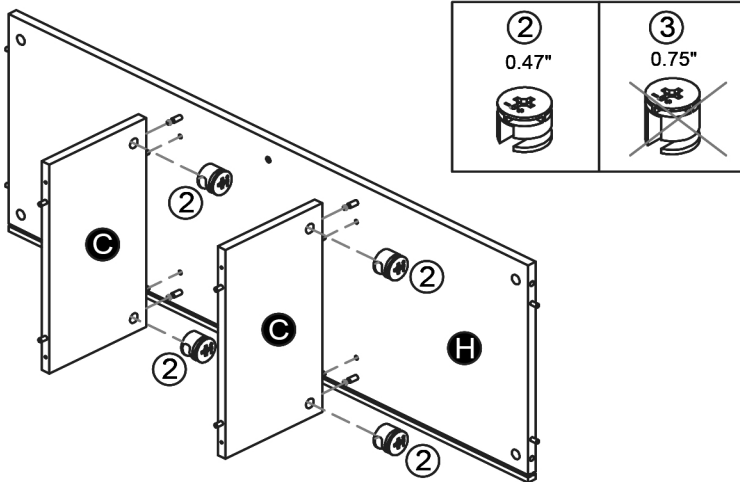
Use dowels (#4) on steps 2.

STEP : 3

Hardware ② x 4PCS

Use small cam locks (#2) on steps 3.

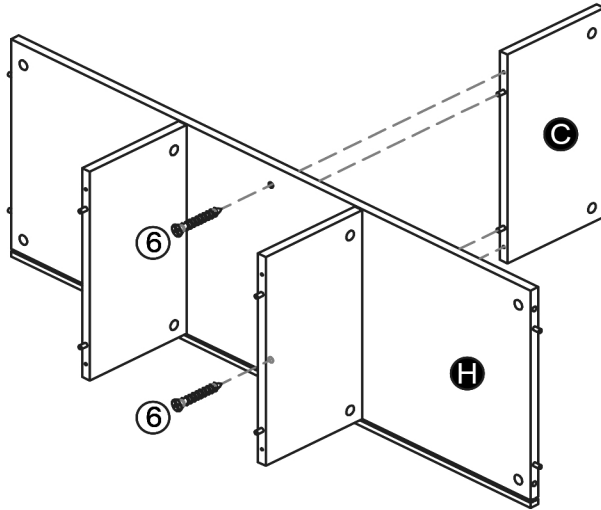
Please read page 5 on how to use fasten cam bolts and cam locks.



ASSEMBLY INSTRUCTIONS

STEP : 4

Hardware ⑥ x 2PCS

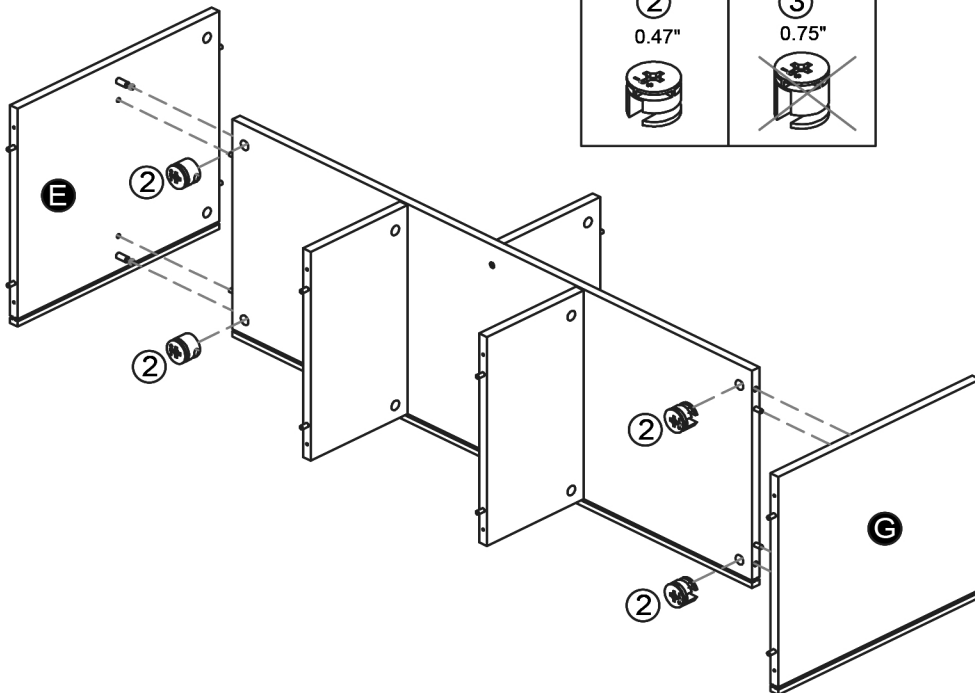


STEP : 5

Hardware ② x 4PCS

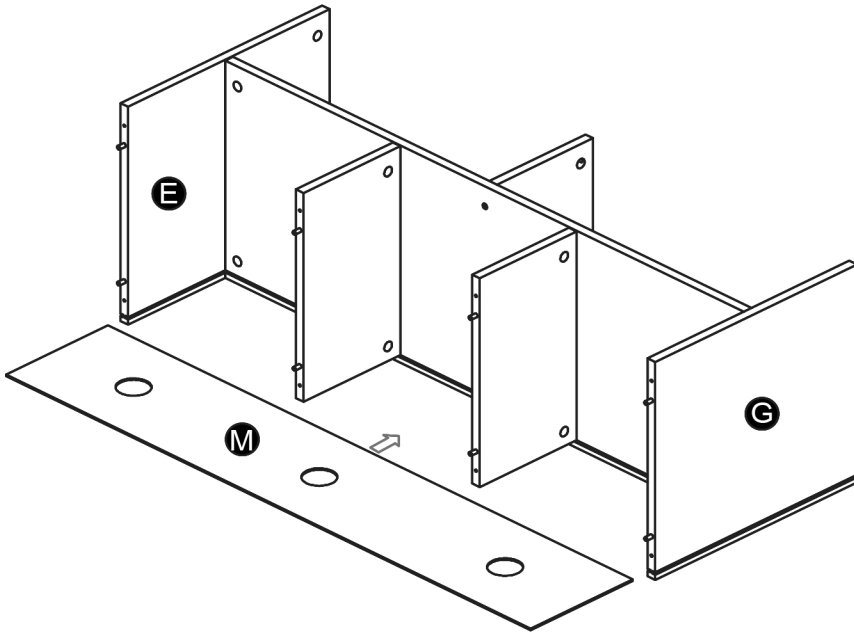
Use small cam locks (#2) on steps 5.

Make sure panels (#E,G) mirror each other.



ASSEMBLY INSTRUCTIONS

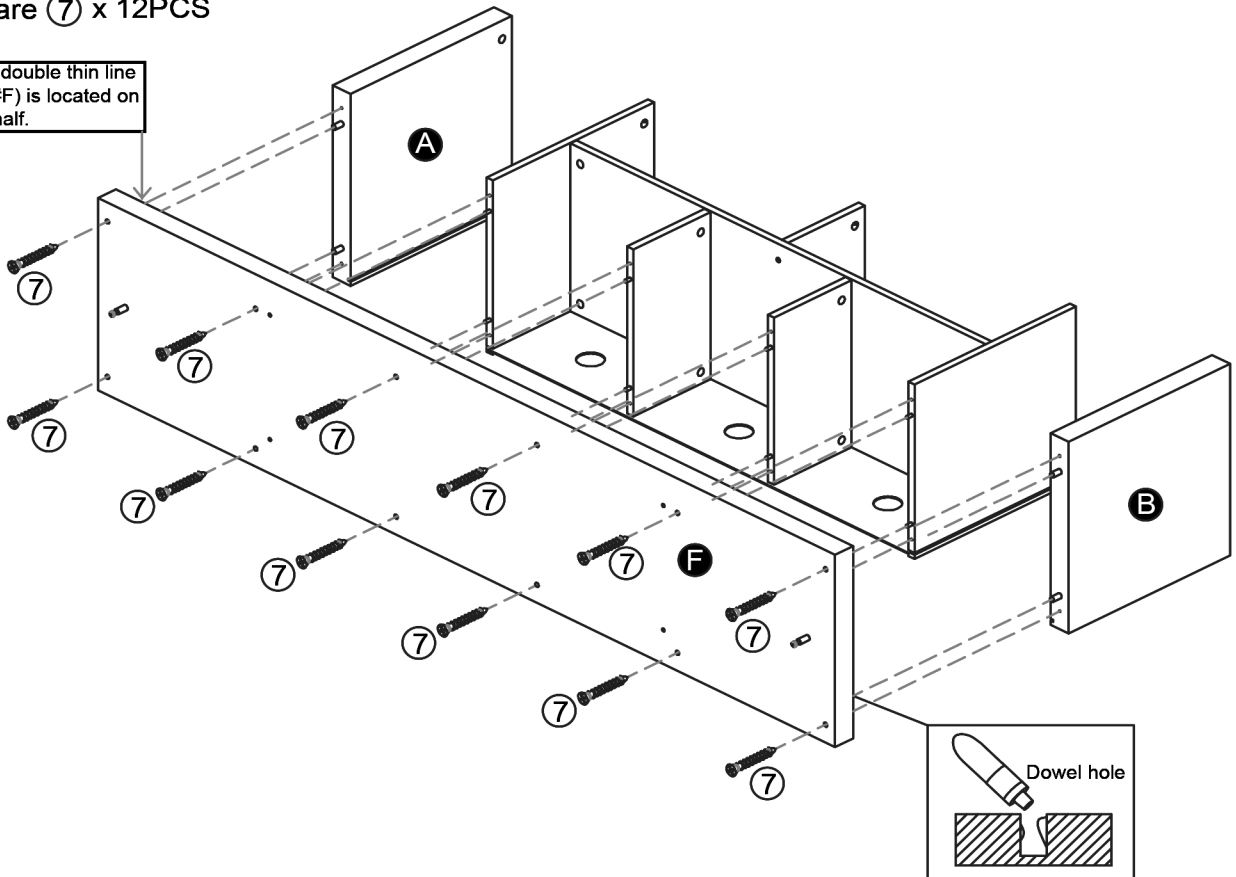
STEP : 6



STEP : 7

Hardware ⑦ x 12PCS

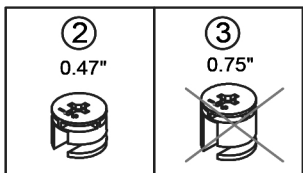
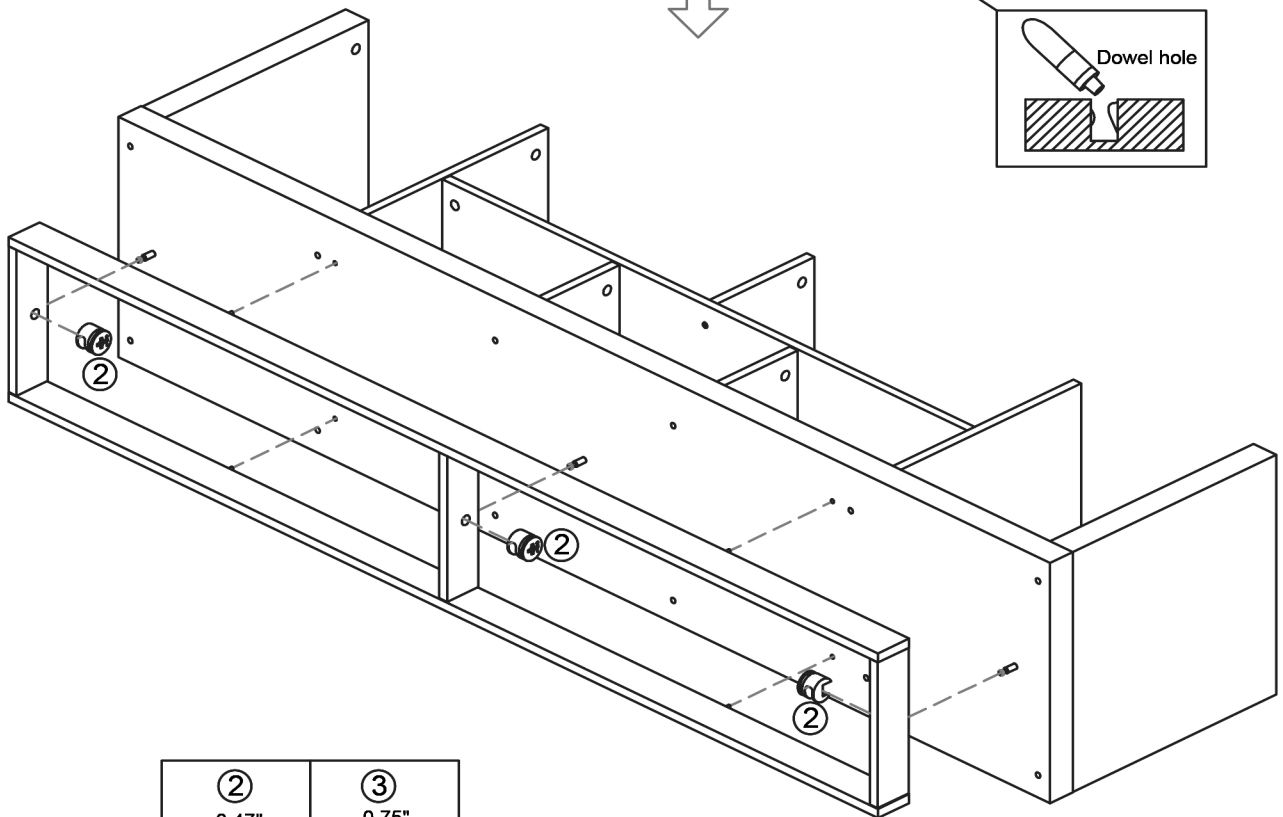
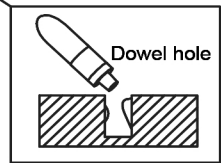
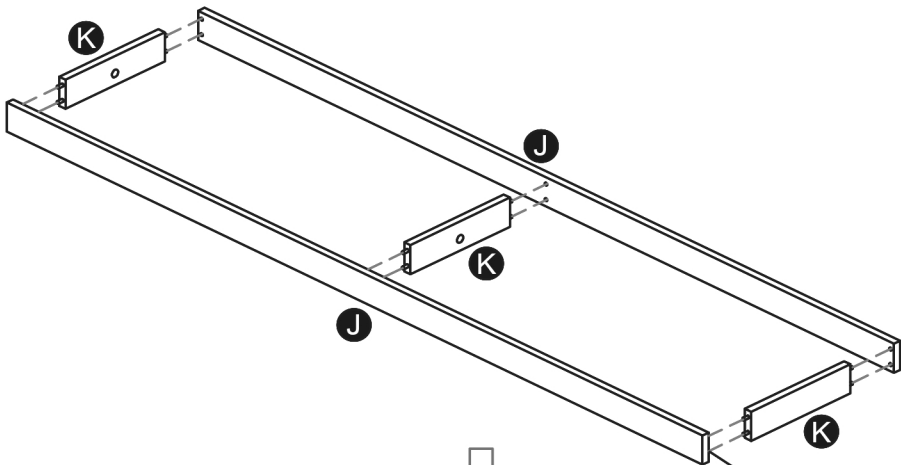
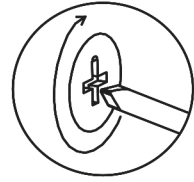
Make sure double thin line on panel (#F) is located on the upper half.



ASSEMBLY INSTRUCTIONS

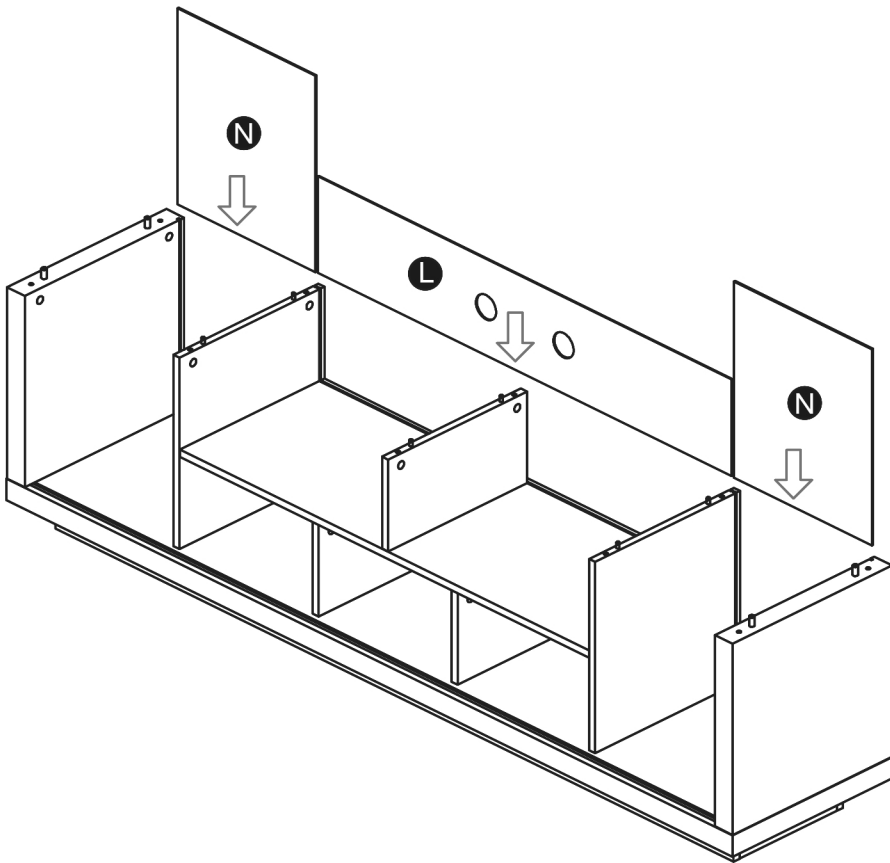
STEP : 8

Hardware ② x 3PCS



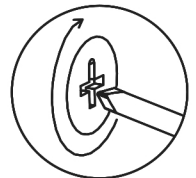
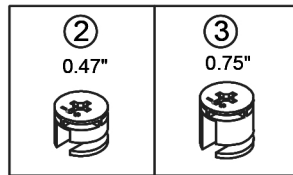
ASSEMBLY INSTRUCTIONS

STEP : 9

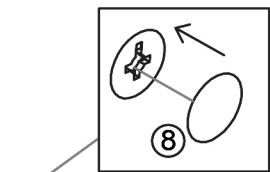


STEP : 10

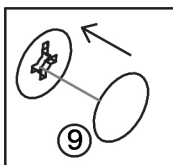
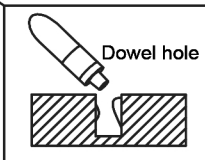
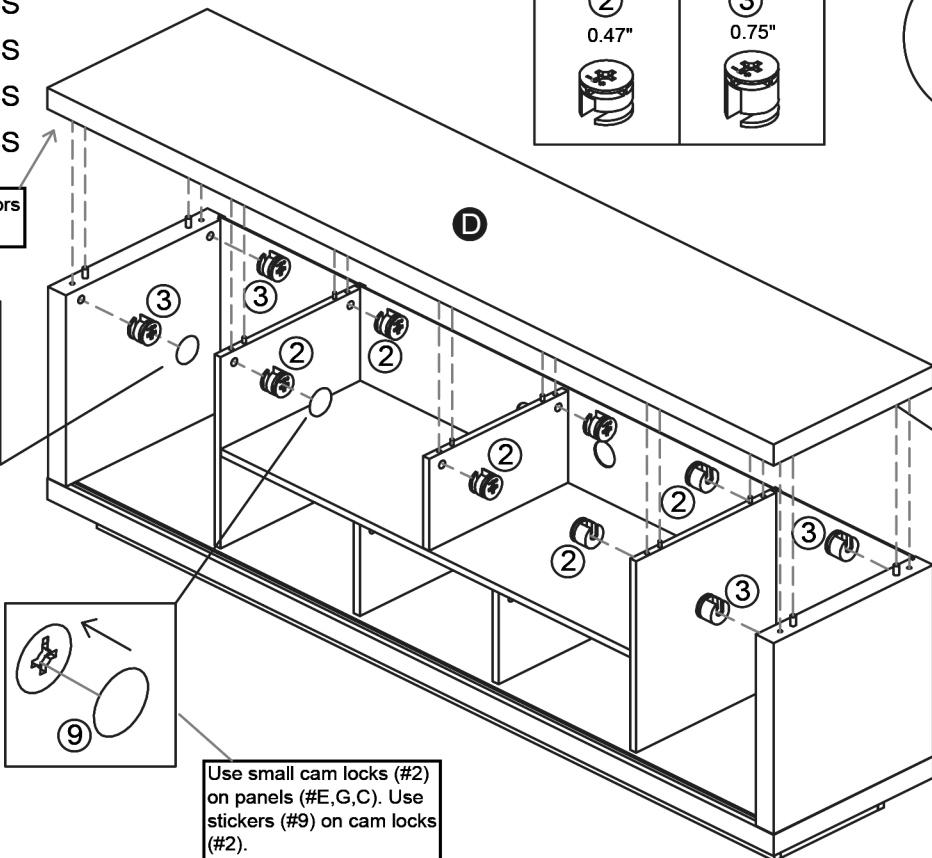
- Hardware ② x 6PCS
- Hardware ③ x 4PCS
- Hardware ⑧ x 4PCS
- Hardware ⑨ x 6PCS



Make sure panel (#D) mirrors panel (#F).



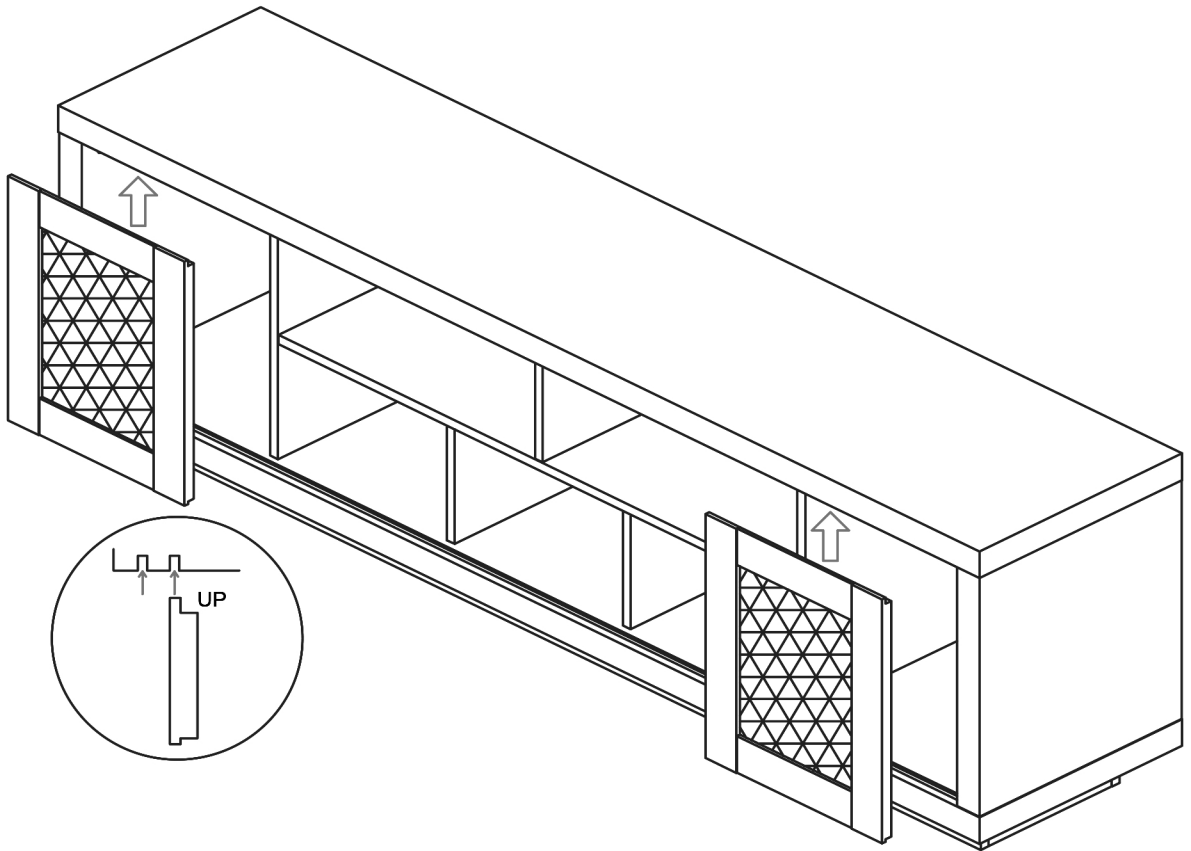
Use large cam locks (#3) on panels (#A,B). Use stickers (#8) on cam locks (#3).



Use small cam locks (#2) on panels (#E,G,C). Use stickers (#9) on cam locks (#2).

ASSEMBLY INSTRUCTIONS

STEP : 11

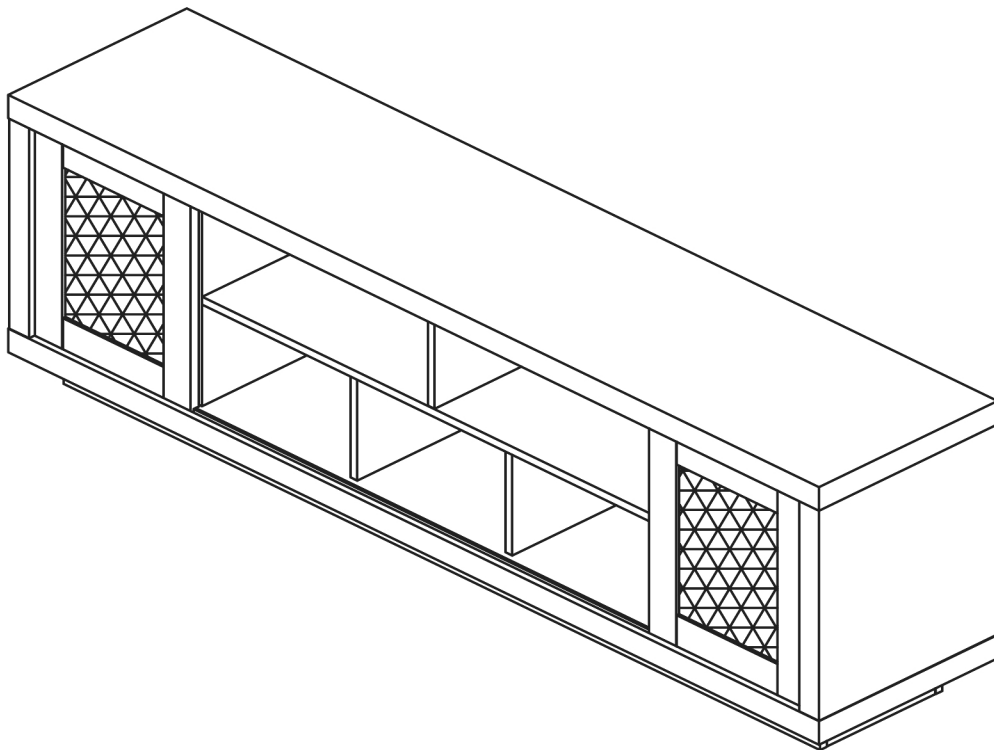


STEP : 12

ASSEMBLY COMPLETED



Please ensure the furniture rests on an even and flat surface. If the product wobbles or feels loose, double-check all bolts and/or screws are properly tightened and secured.



Keep this handy!

Please retain this instruction manual and any order-related information for future reference.



Lift, don't drag!

To avoid damage to product please always LIFT the product when transporting or adjusting the placement.