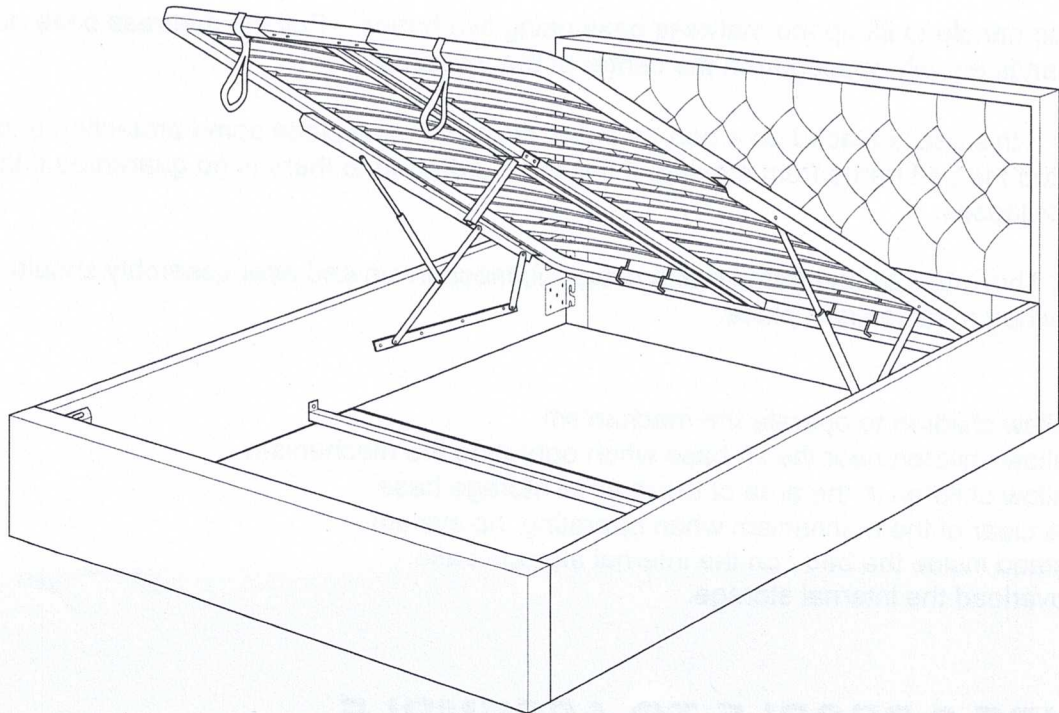


# WILSON STORAGE BED 5FT

## ASSEMBLY INSTRUCTIONS



## **Important Informations**

Please take the time to carefully read through the whole of these instructions before you commence.

Keep these instructions for future reference.

Unpack, inspect and check of all of the contents.

Please dispose of all packing safely.

Small components parts could choke a child if swallowed.

We strongly recommend that you keep children well away from the work area.

It would be sensible to lay a sheet or blanket on the floor where you intend to work to avoid scratching this product and protect your floor.

This product is heavy. Take extreme care when lifting to avoid personal injury or damage to the product.

This bed is heavy. Always lift the bed with two people.

Assemble the product as close to its intended final position in the room as possible.

Keep any sharp objects away from the bed frame.

**HANDY HINT:** If you keep the hardware in a bowl during assembly you will be less likely to lose them.

### **HEALTH AND SAFETY**

**DO NOT:** jump on this bed frame.

**DO NOT:** use this bed frame if any part is missing, damaged or worn.

**DO NOT:** use this bed frame unless all fixing are secured.

**DO NOT:** push the bed frame as this will damage the legs.

Always lift the bed frame with two people to reposition.

Always use on a level, even surface.

Following installation of the mechanism lift / pull the base up and down a few times to free of the system – the gas cylinders fitted to the system may be stiff when first time used or if the system has not been operated for a period of time. The mattress must be fitted to the base.

Use the strap handle to lift up the mattress base using two hands – Pull the mattress base down using two hands equally spaced from the centre of the mattress.

**WARNING:** If this bed is placed on a non-carpeted floor you must place some protection under all legs to stop the bed frame from moving. If this is not adhered to there is no guarantee if the bed frame collapses.

**WARNING:** This ottoman bed frame has a powerful, mechanism and after assembly should only be opened when mattress is in place.

### **CAUTION**

**DO NOT:** allow children to operate the mechanism.

**DO NOT:** allow children near the lift base when operating the mechanism.

**DO NOT:** allow children in the area of the internal storage base.

Keep hands clear of the mechanism when operating the system.




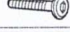
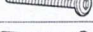
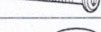








**DO NOT:** stand inside the bed / on the internal storage base.

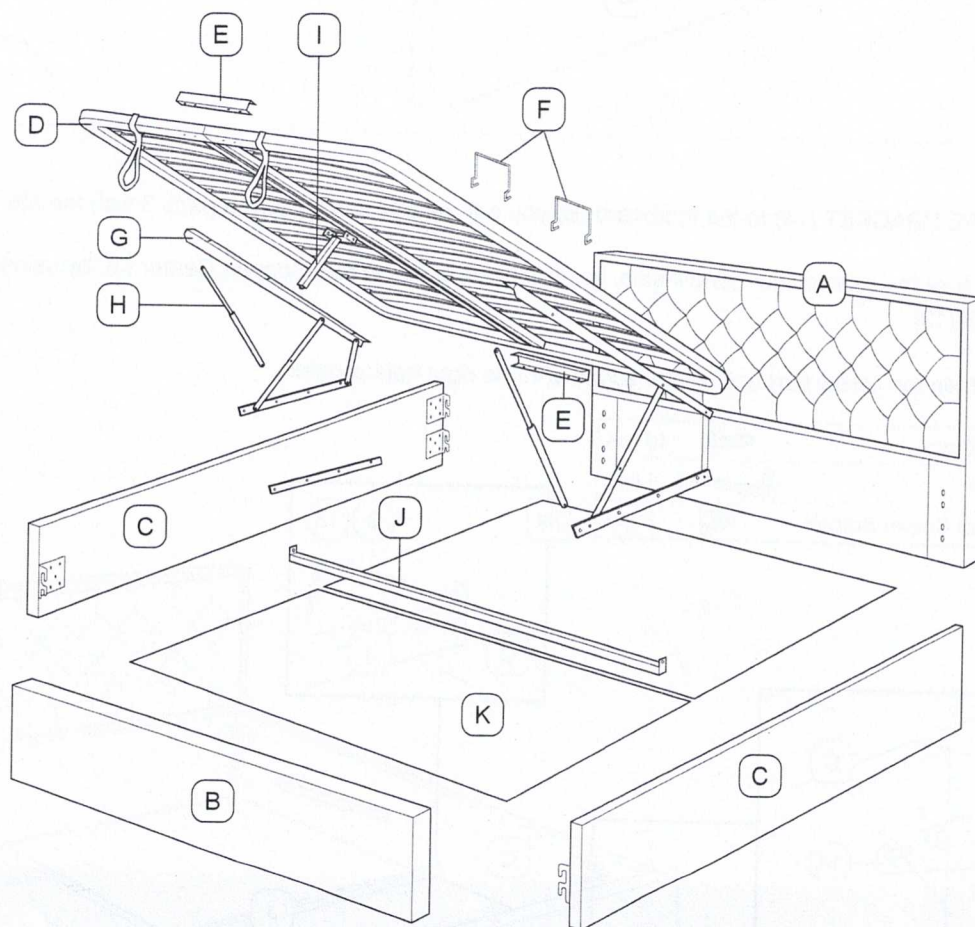
**DO NOT:** overload the internal storage.

## **REQUIRE 2 PEOPLE TO ASSEMBLE**





No	Part List	Qty	Box
A	Headboard	1 pc	1
B	Footboard	1 pc	2
C	Side Rail	2 pcs	3
D	Metal Frame Bed	1 set	4
E	U-bracket	2 pcs	
F	Base Handle	2 pcs	
G	Hydraulic Base Support	2 pcs	
H	Hydraulic Pump	2 pcs	
I	Support Leg	1 pc	
J	Cross Bar	1 pc	3
K	<b>Bottom Base Fabric</b>	<b>1 pc</b>	<b>5</b>

No	Hardware List	Qty	Box
1	JCBC M6 x 45mm 	8 pcs	3
2	JCBC M6 x 80mm 	2 pcs	
3	JCBB M8 x 16mm 	10 pcs	
4	JCBB M8 x 20mm 	12 pcs	
5	JCBB M8 x 40mm 	8 pcs	
6	JCBB M8 x 45mm 	6 pcs	
7	M8 Flat Washer 	8 pcs	
8	M6 Hex Nuts 	10 pcs	
9	M8 Hex Nuts 	6 pcs	
10	M6 Spanner 	1 pc	
11	M8 Spanner 	1 pc	
12	Allen Key M4 	1 pc	
13	Allen Key M5 	1 pc	
14	L-Shape Metal Corner Bracket 	2 pcs	



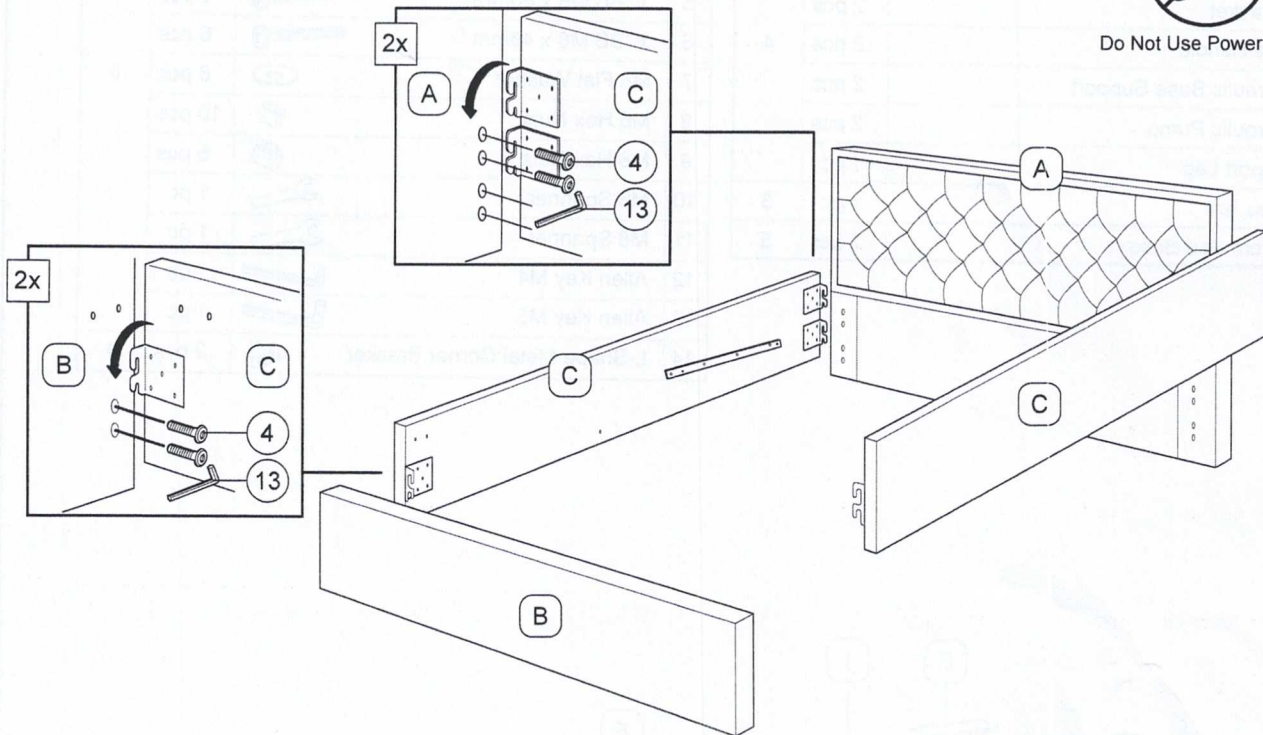
### Step 1:

To fix the left side rail (C) and right side rail (C) to the headboard (A) and footboard (B) you will need to use hardware parts 4 with the M5 allen key (13).

4	JCBB M8 x 20mm		12 pcs
13	Allen Key M5		1 pc



Do Not Use Power Tools






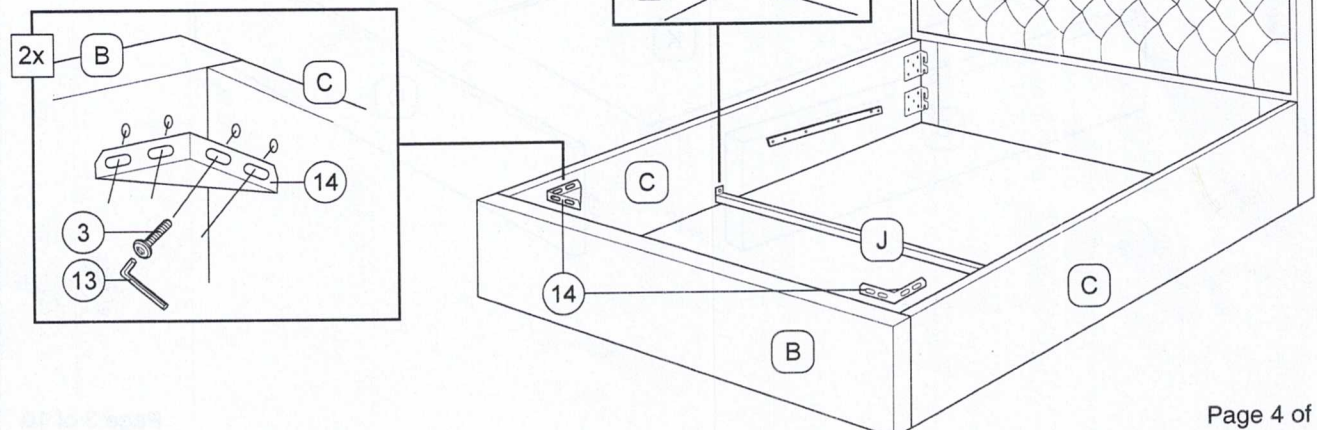
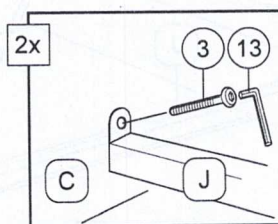
### Step 2:

To fix the L-SHAPE BRACKET (14) to the footboard (B) you will need to use hardware parts 3 with the M5 allen key (13).

In order to make sure the side rail not bend inside, you will need to fix the part Support Center (J), by using hardware (3) with Allen Key M5 (13)

DO NOT fully tighten the screw part until all the screw is in the right hole position.

3	JCBB M8 x 16mm		10 pcs
13	Allen Key M5		1 pc
14	L-Shape Metal Corner Bracket		2 pcs





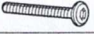



**Step 3:**

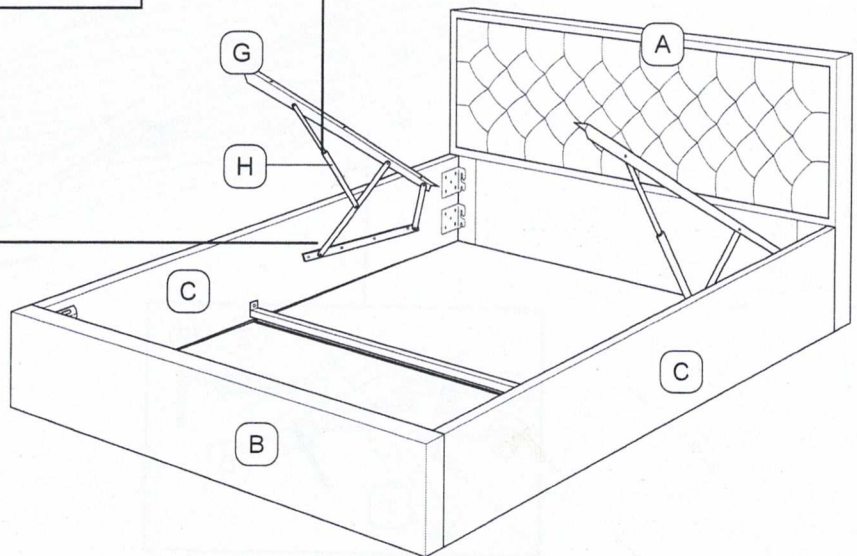
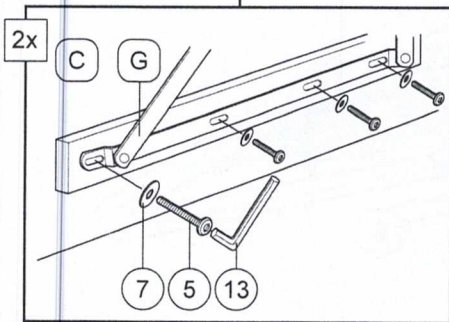
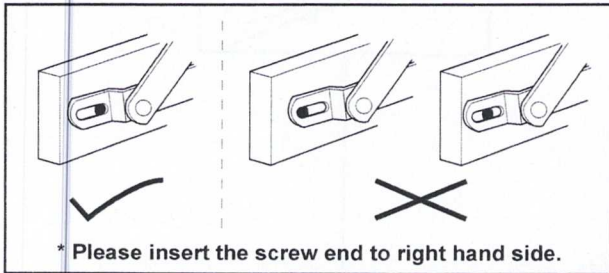
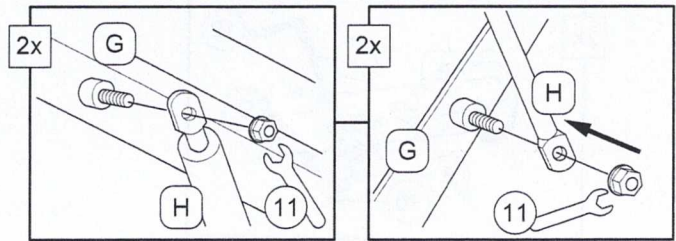
To install Hydraulic (H) to the (G), you will need to loose out the M8 HEX nut from the part (G). After the part (H) go inside the position, put back the M8 HEX Nut and tighten it using M8 Spanner (11).

To install the complete set of (G) to the left and right side rail (C), you will need to use hardware 5 and 7 with Allen key M5 (13).

To assemble part G, it is a must to make sure the hole go into the right position as shown in (NOTE). And before tighten the screw, please make sure part G is in same alignment in between left and right side rail.

**DO NOT** use any power tools as this may damage the bed frame and will invalidate any claims.

5	JCBB M8 x 40mm		8 pcs
7	M8 Flat Washer		8 pcs
11	M8 Spanner		1 pc
13	Allen Key M5		1 pc



Do Not Use Power Tools



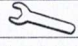



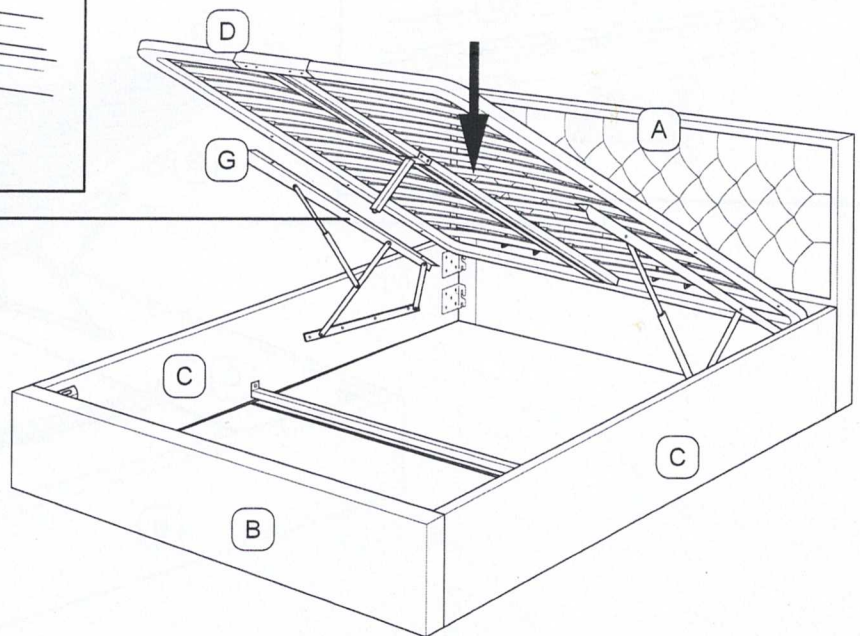
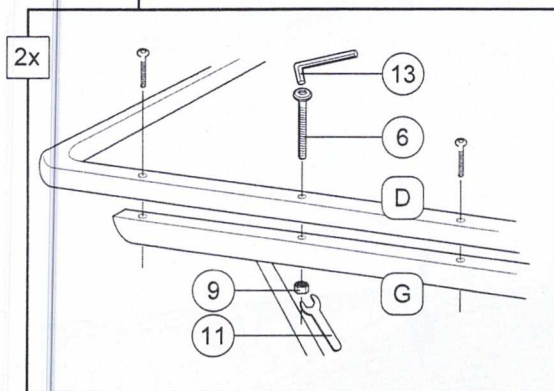
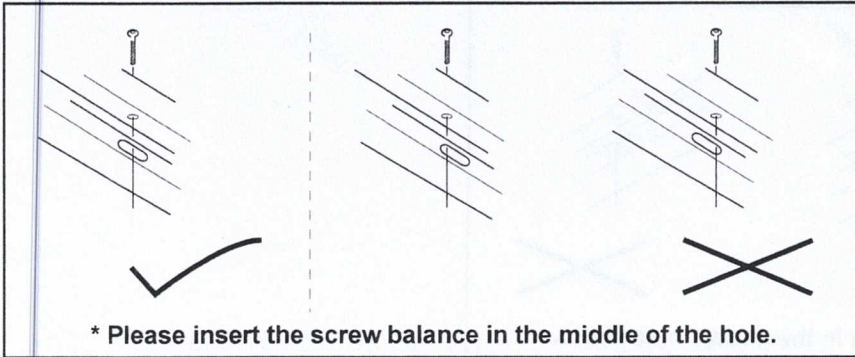


**Step 5:**

To assemble part D, it is a must to make sure the hole go into the right position as shown in (NOTE). And before tighten the screw, please make sure part G is in same alignment in between left and right side of part G.

**DO NOT** use any power tools as this may damage the bed frame and will invalidate any claims.

6	JCBC M8 x 45mm		6 pcs
9	M8 Hex Nuts		6 pcs
11	M8 Spanner		1 pc
13	Allen Key M5		1 pc







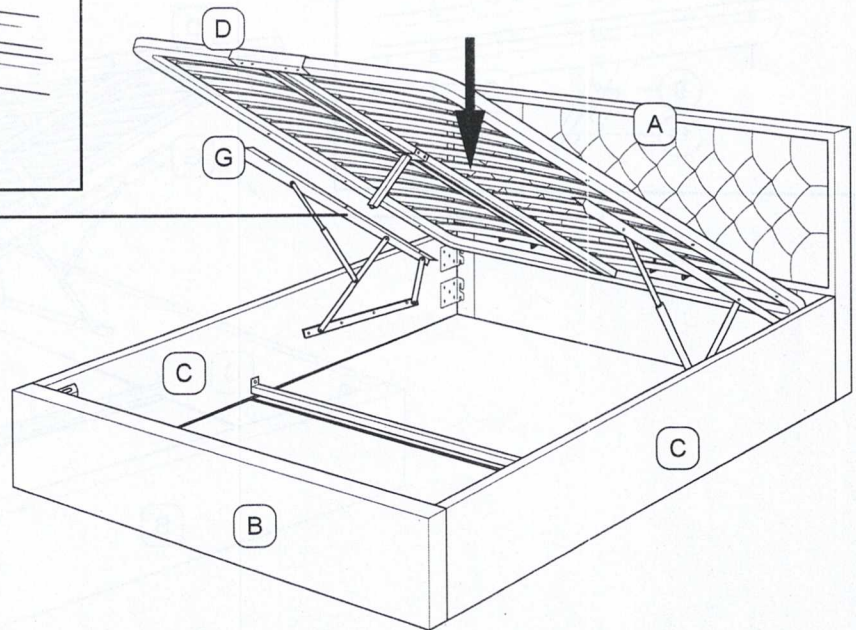
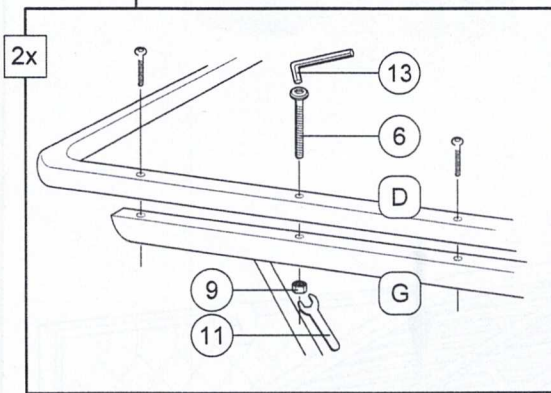
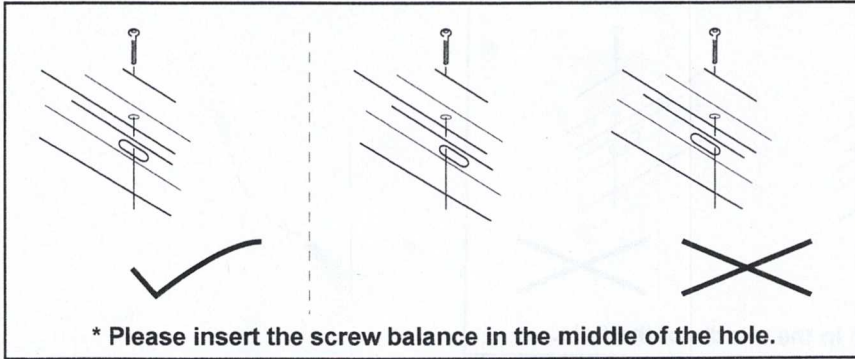
Do Not Use Power Tools

**Step 5:**

To assemble part D, it is a must to make sure the hole go into the right position as shown in (NOTE). And before tighten the screw, please make sure part G is in same alignment in between left and right side of part G.

**DO NOT** use any power tools as this may damage the bed frame and will invalidate any claims.

6	JCBC M8 x 45mm		6 pcs
9	M8 Hex Nuts		6 pcs
11	M8 Spanner		1 pc
13	Allen Key M5		1 pc

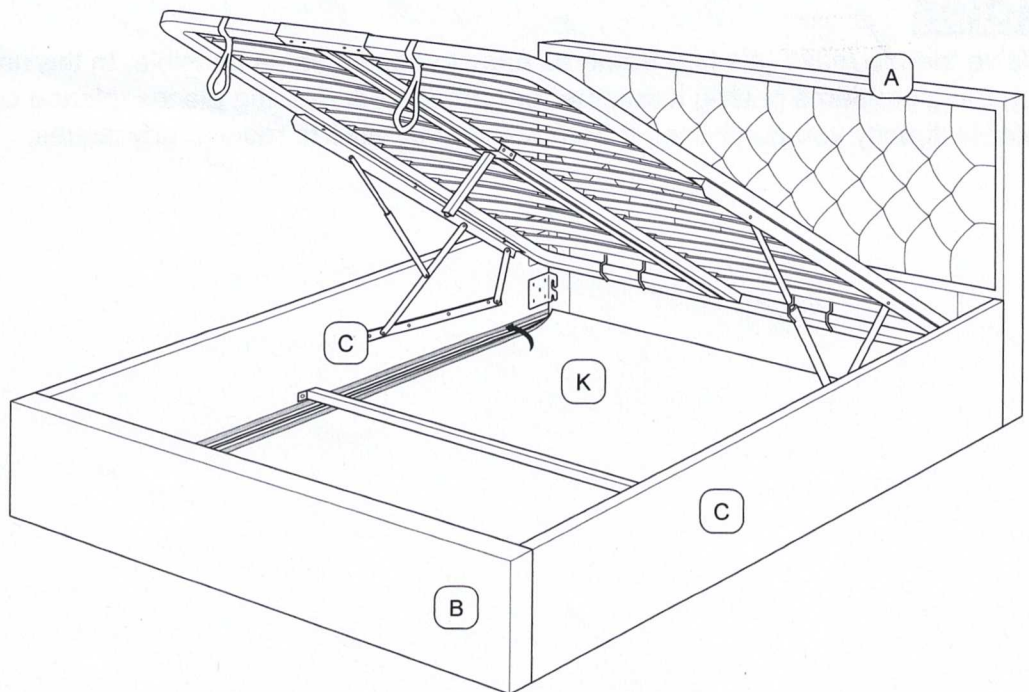
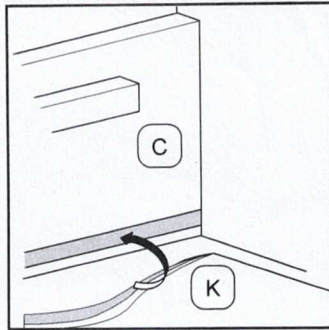
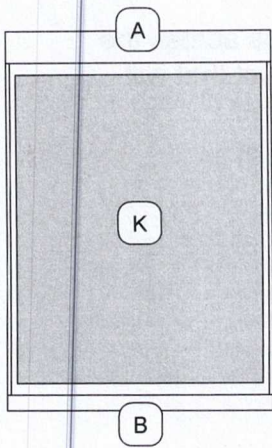


Do Not Use Power Tools



**Step 6:**

Stay inside the storage space area. Laminate the BASE FABRIC (K) from the left to right follow the direction of black velco stripe. The bed is now ready to use.



**COMPLETE**

**WARNING:**

Take care when assembling the base, assemble the ottoman as closed to its final position. The Ottoman has a powerful mechanism and after assembly should only be closed and opened when the mattress is in place.

## **General Care**

Wipe clean with a slightly damp soft cloth.

Avoid the use of all household cleaners and abrasives.

When moving your furniture, carefully lift into place. Never drag or push the pieces across the floor as this will cause damage to the joints and could result in failure to the product that will invalidate the warranty.

## **Recommendations**

Periodical re-tightening of fixings

## **Warning**

This bed frame is heavy. Please use an assistant when lifting.

## **Notes**

We've tried to make this bed frame as easy to assemble as possible. In the unlikely event that you have problems putting it together or damaged or missing pieces, please contact your retailer directly you purchased it from who will be able to resolve any issues.