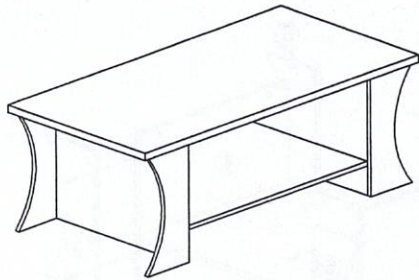


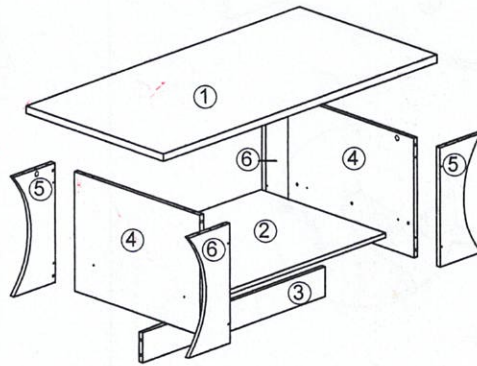
# Assembly Instruction

Model : CF 19402

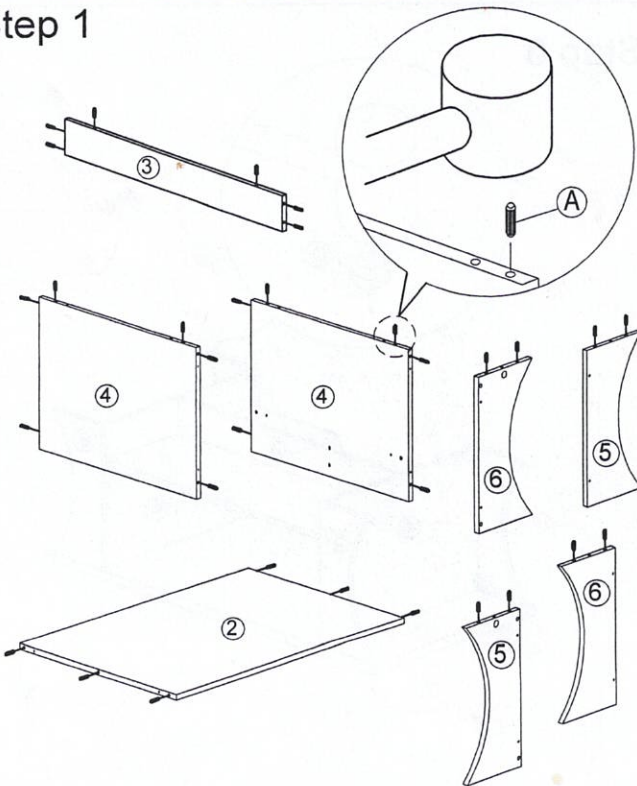


## Part List

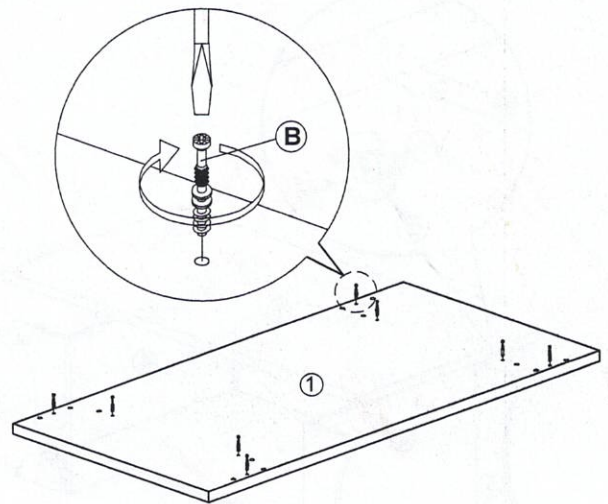
| Hardware List |       |                    |       |
|---------------|-------|--------------------|-------|
| No.           | SHAPE | DESCRIPTION        | Qty.  |
| A             |       | 8x25mm Dowel       | 32Pcs |
| B             |       | 15MM Myfix Minifix | 8Sets |
| C             |       | M4x45mm Screw      | 12Pcs |
| D             |       | Nail Leg           | 10Pcs |
| E             |       | Sticker            | 12Pcs |



## Step 1

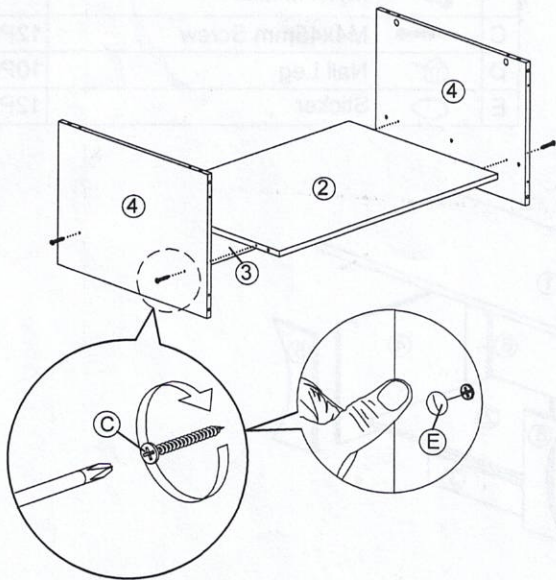


## Step 2

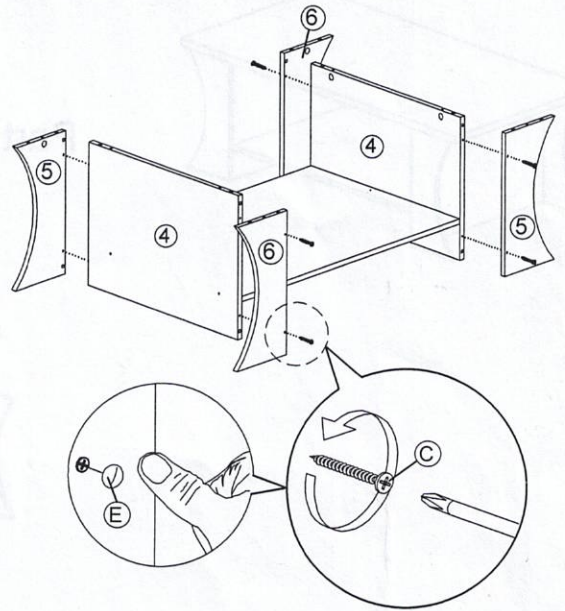


# Assembly Instruction

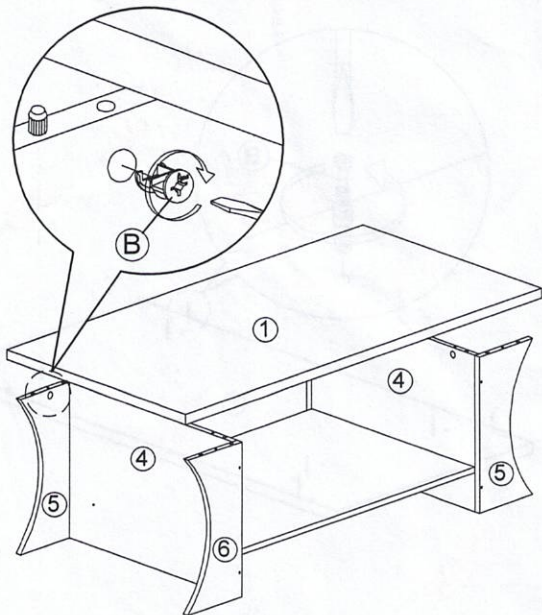
Step 3



Step 4



Step 5



Step 6

