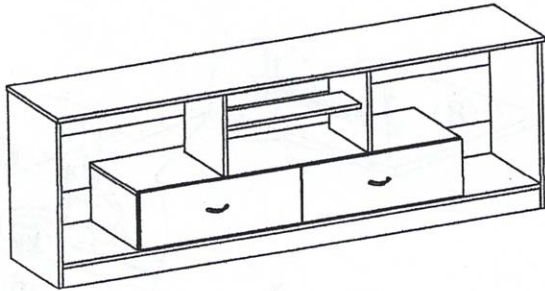


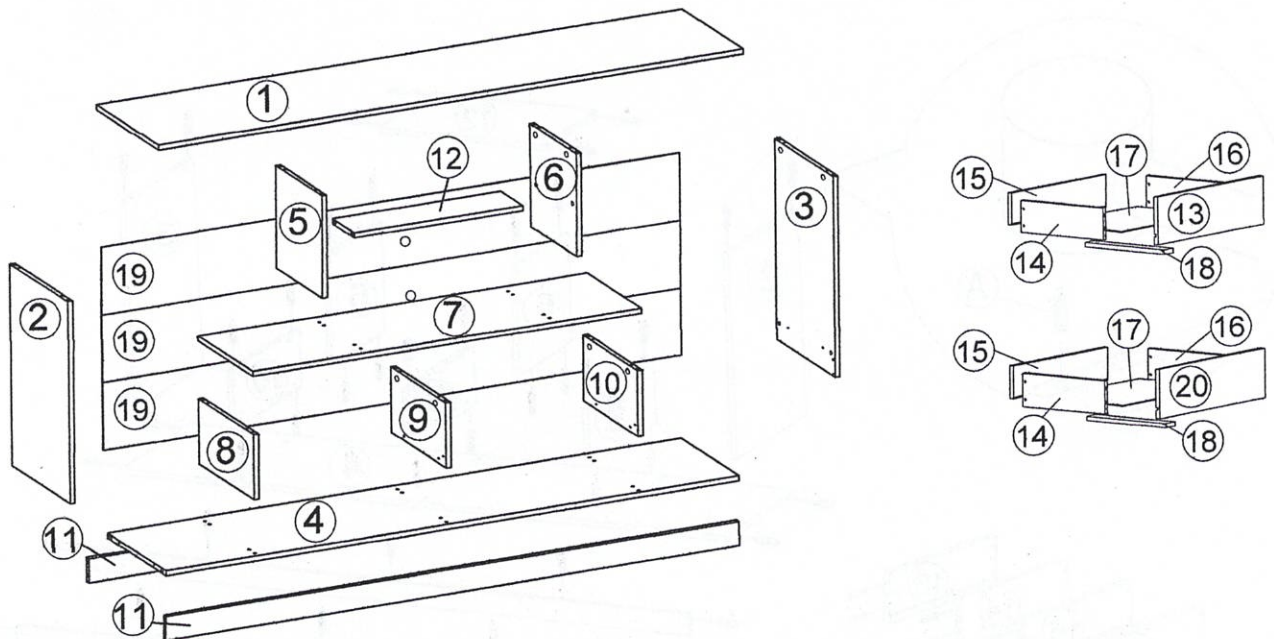
Assembly Instruction

Model : HC 18202 (6 Size)



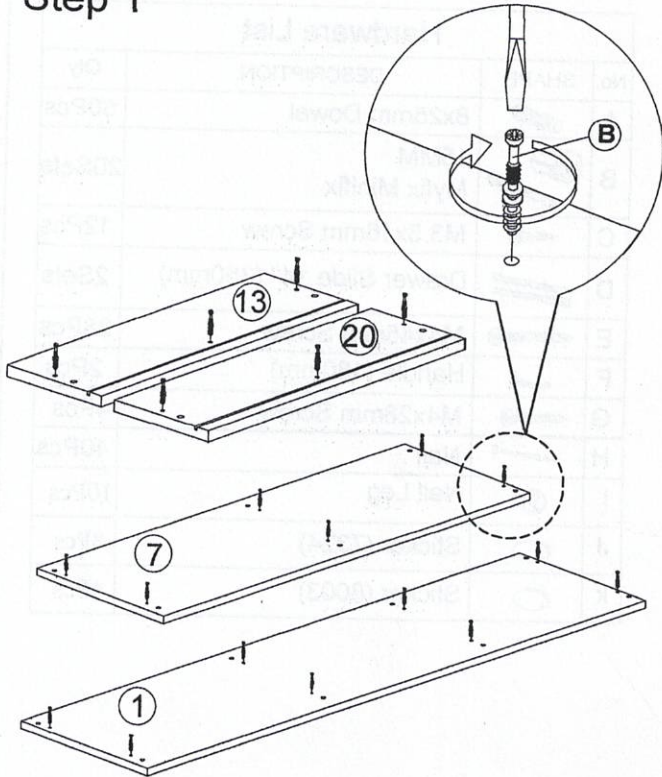
Hardware List			
No.	SHAPE	DESCRIPTION	Qty.
A		8x25mm Dowel	50Pcs
B		15MM Myfix Minifix	20Sets
C		M3.5x16mm Screw	12Pcs
D		Drawer Slide 14" (350mm)	2Sets
E		M4x45mm Screw	28Pcs
F		Handle (160mm)	2Pcs
G		M4x28mm Screw	4Pcs
H		Nail	40Pcs
I		Nail Leg	10Pcs
J		Sticker (7324)	8Pcs
k		Sticker (8003)	4Pcs

Part List

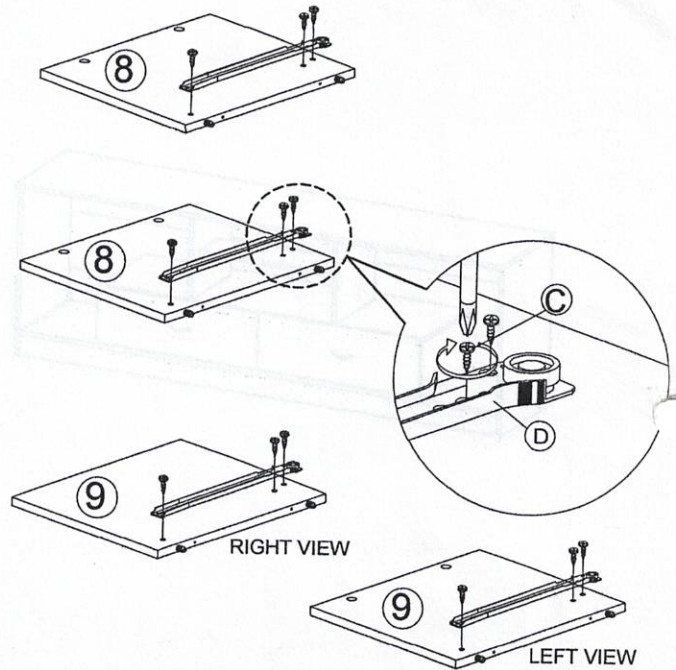


Assembly Instruction

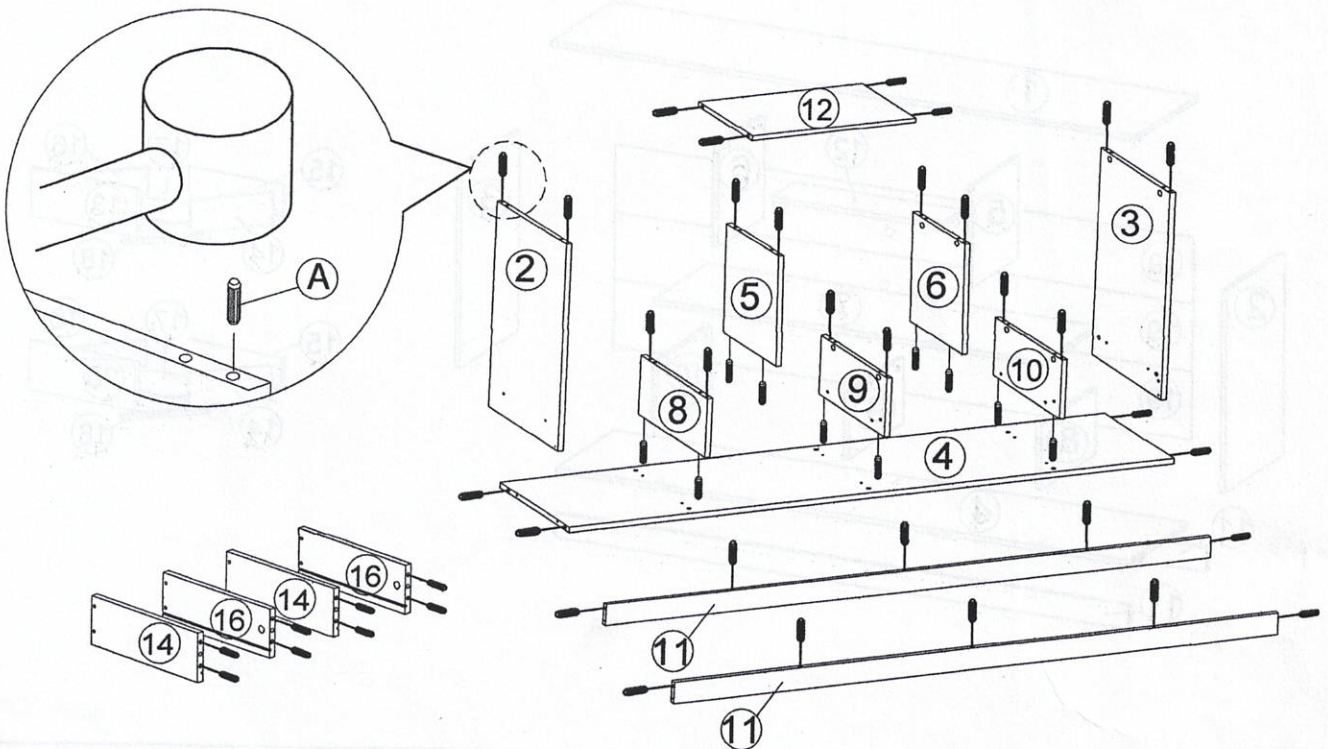
Step 1



Step 2

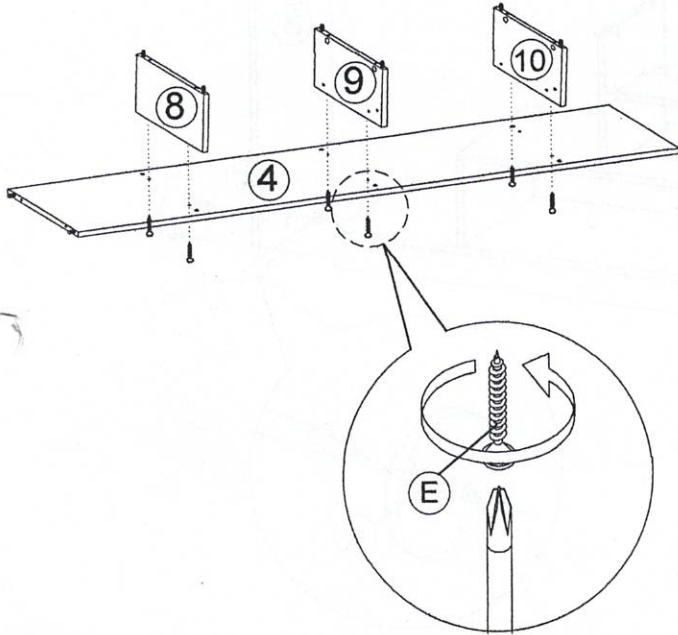


Step 3

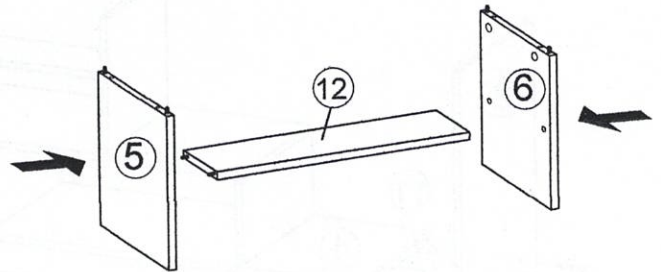


Assembly Instruction

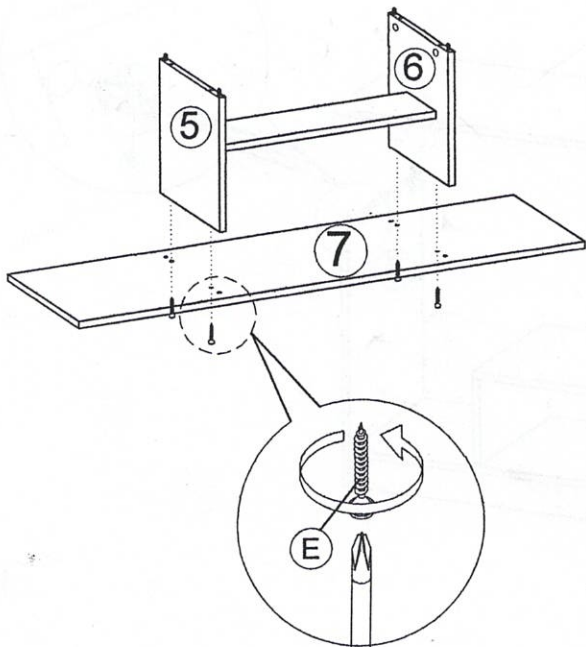
Step 4



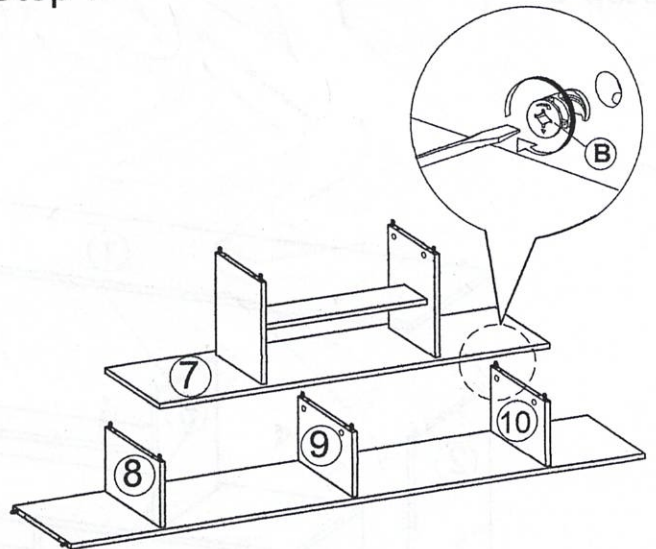
Step 5



Step 6

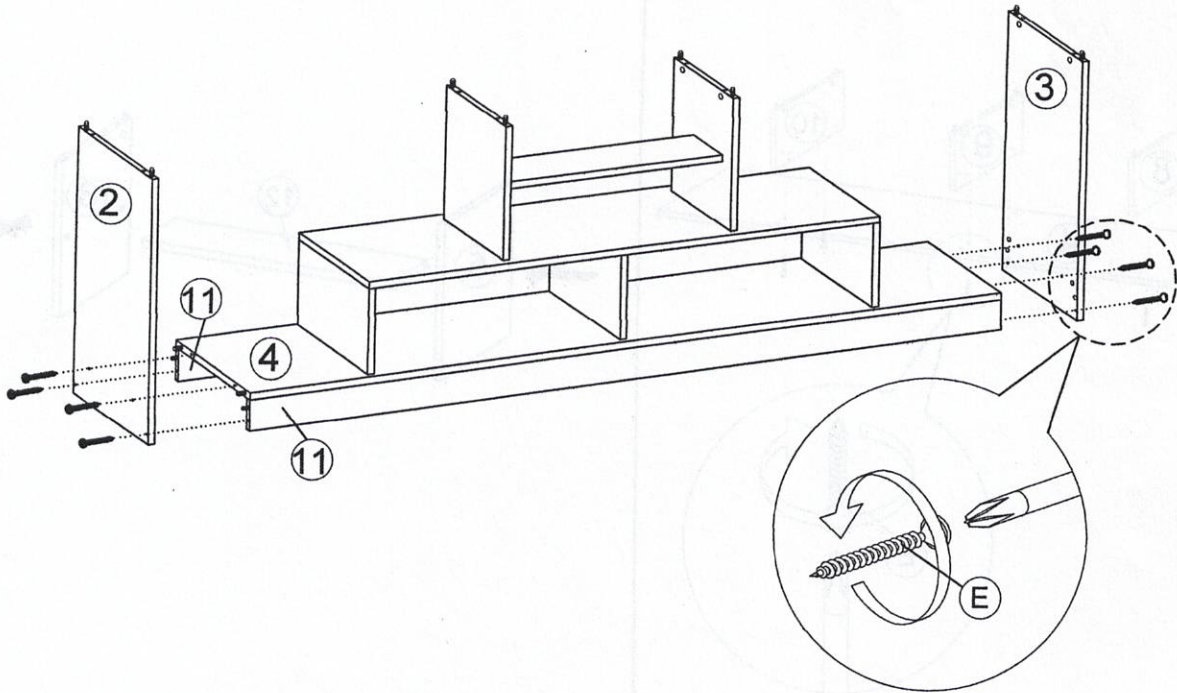


Step 7

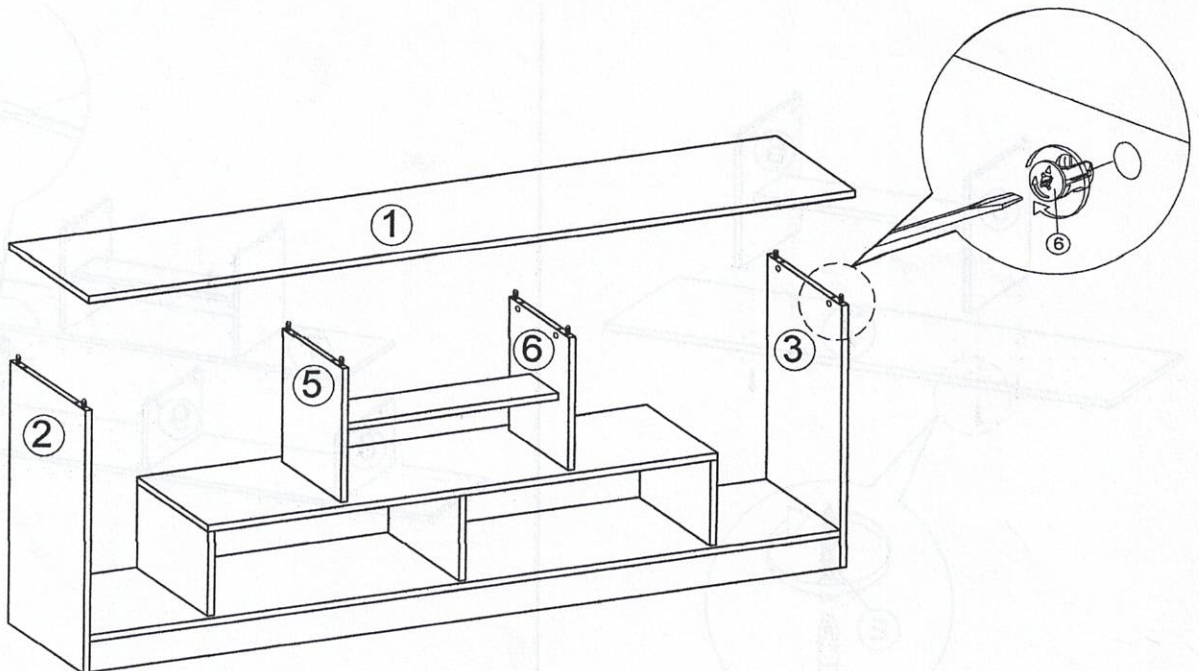


Assembly Instruction

Step 8

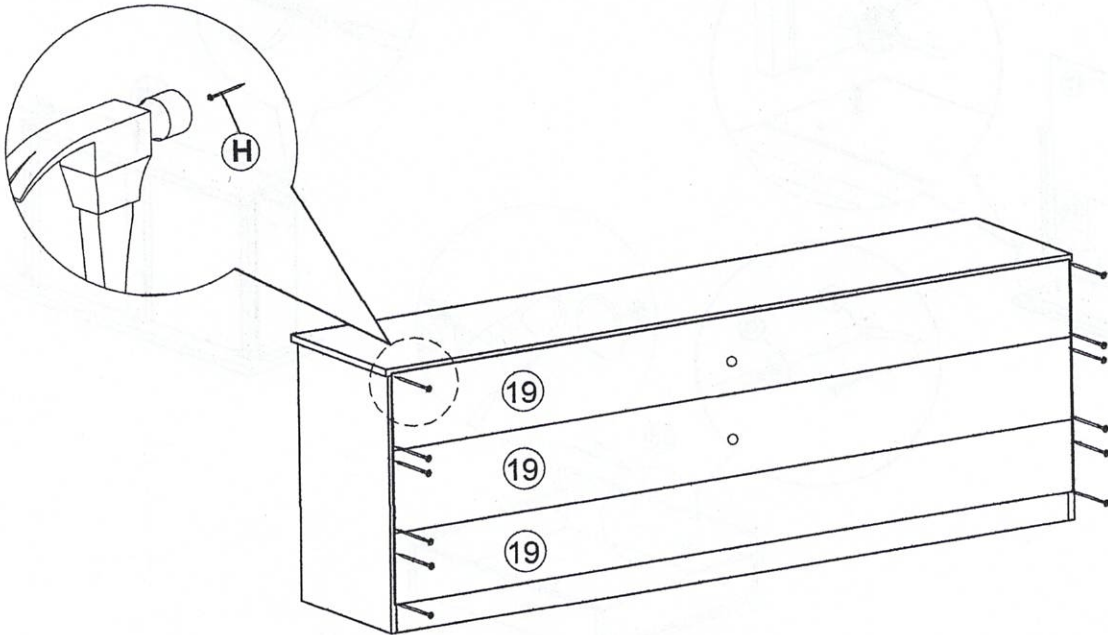


Step 9

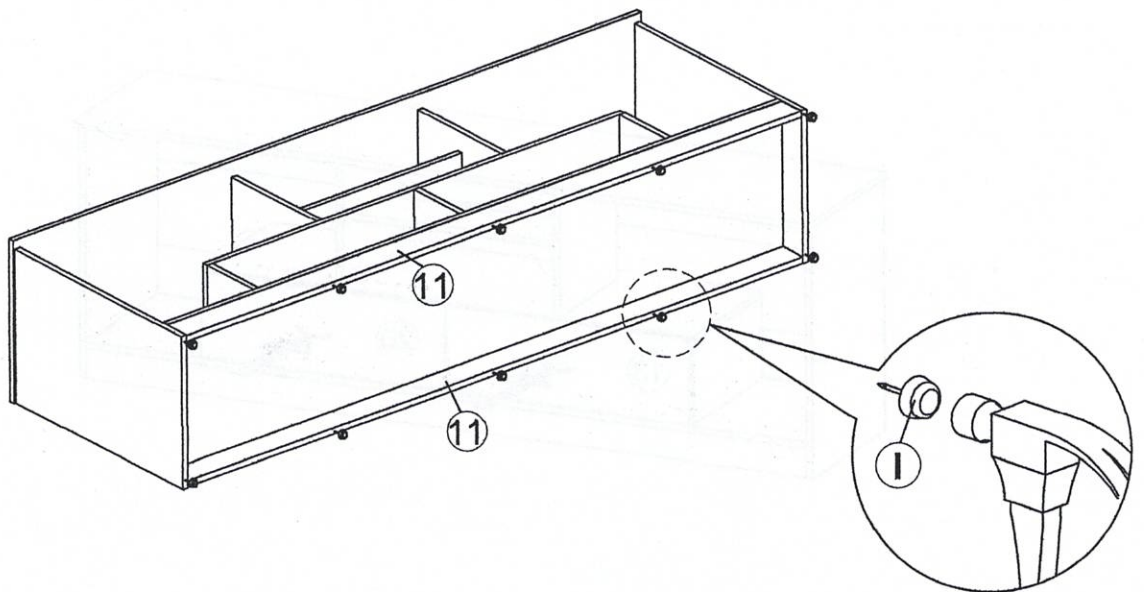


Assembly Instruction

Step 10

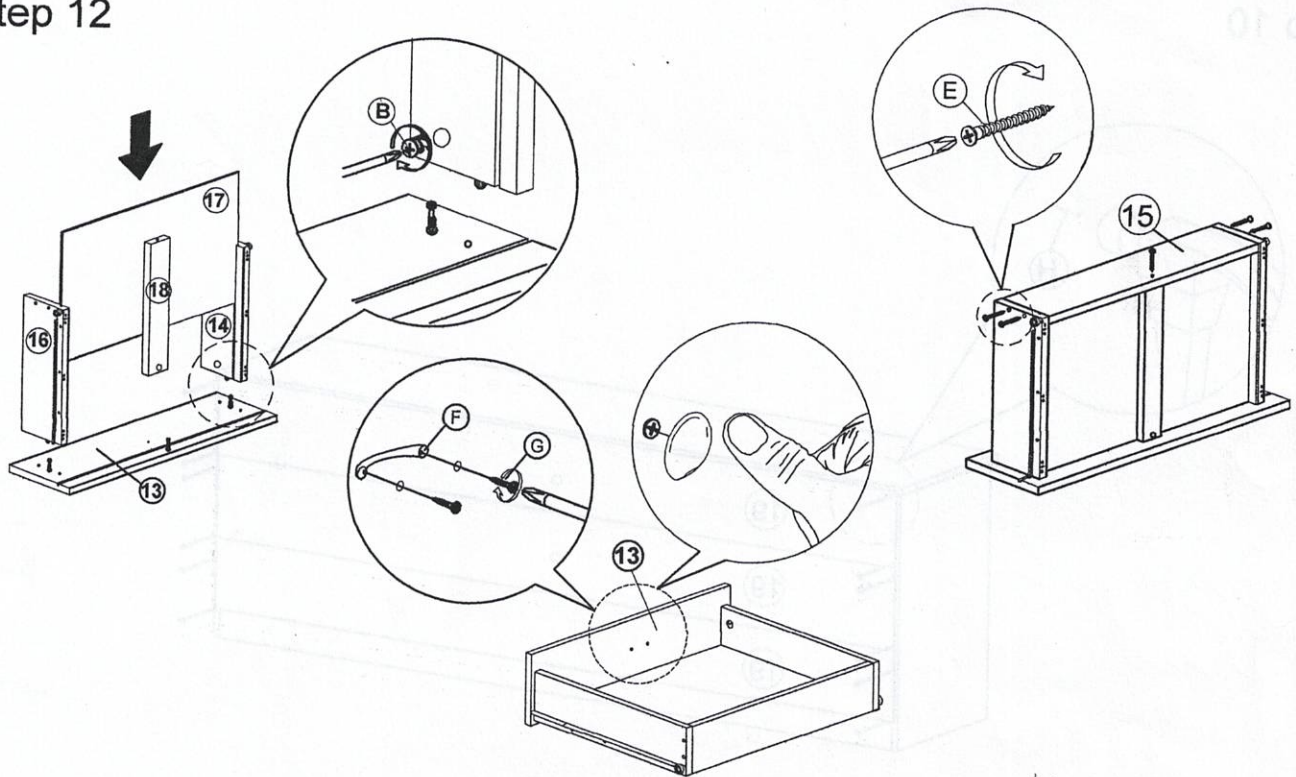


Step 11



Assembly Instruction

Step 12



Step 13

