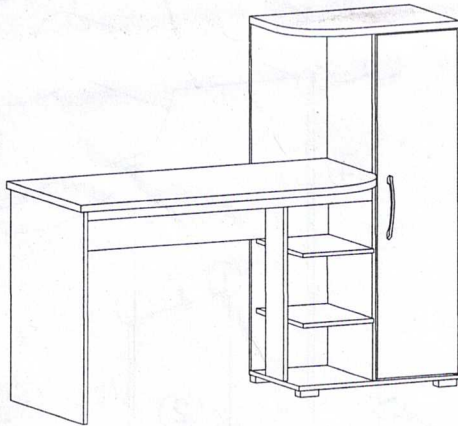
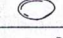


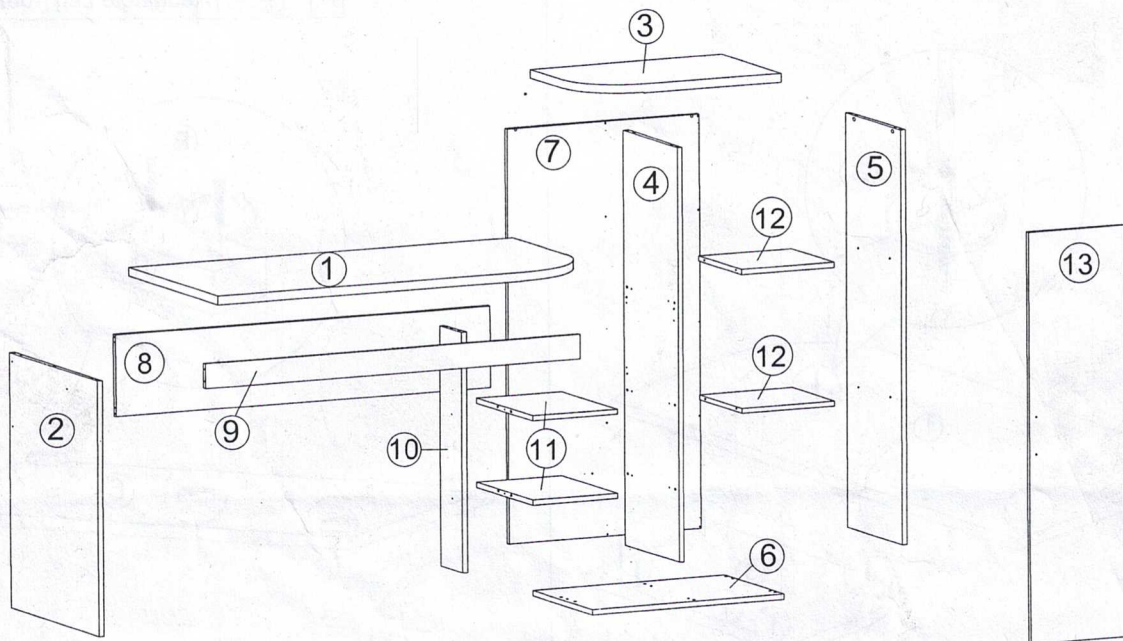
Assembly Instruction

Model : WT 18502




Hardware List			
No.	SHAPE	DESCRIPTION	Qty.
A		8x25mm Dowel	55Pcs
B		15MM Myfix Minifix	9Sets
C		M3.5x16mm Screw	12Pcs
D		M4x45mm Screw	31Pcs
E		M4x20mm Screw	10Pcs
F		Handle KT58.160	1Pcs
G		5/8 Nail With Pin	2Pcs
H		Rectangle Leg 100x50x30	5Pcs
I		Hinges 2/8	2Pcs
J		Shelf Support	8Pcs
K		Sticker 7324	13Pcs
L		M4x25mm Screw	2Pcs
M		Sticker 8003	2Pcs

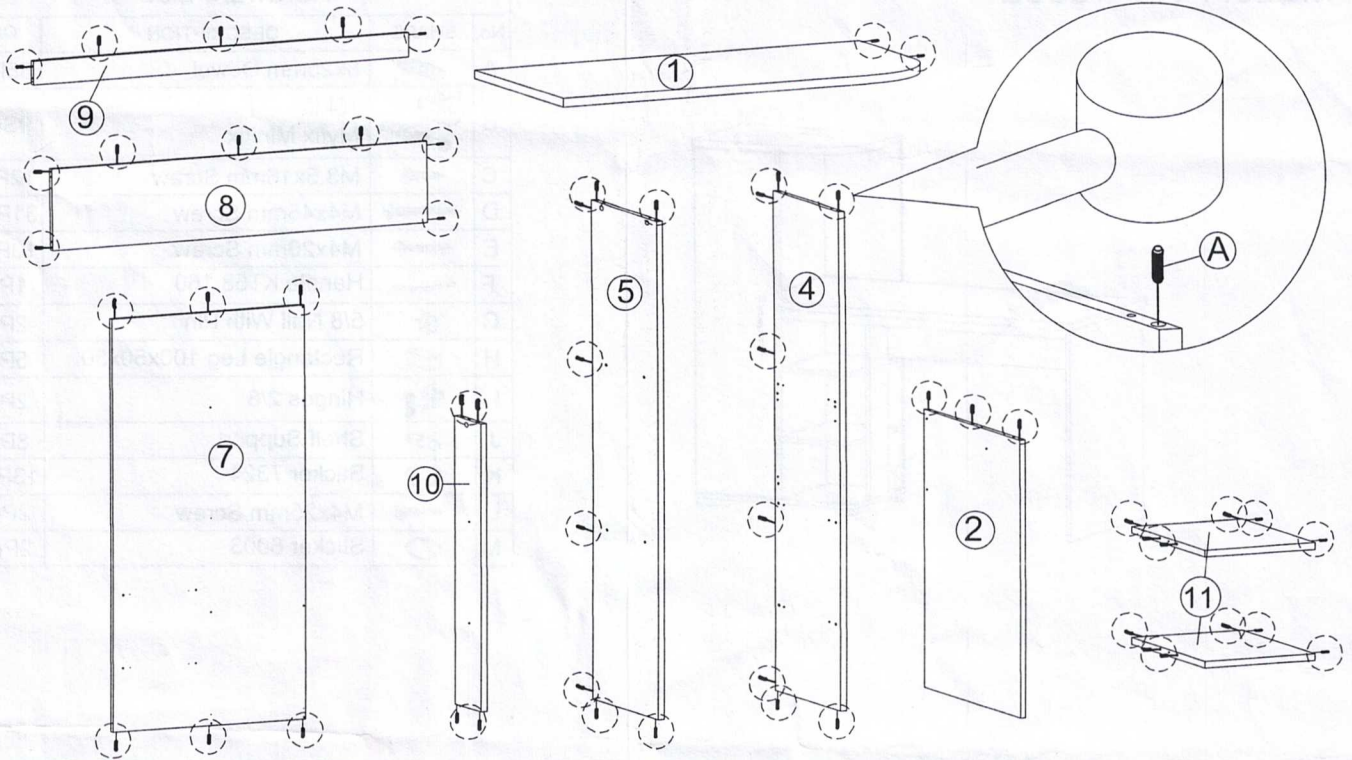
Part List




Assembly Instruction

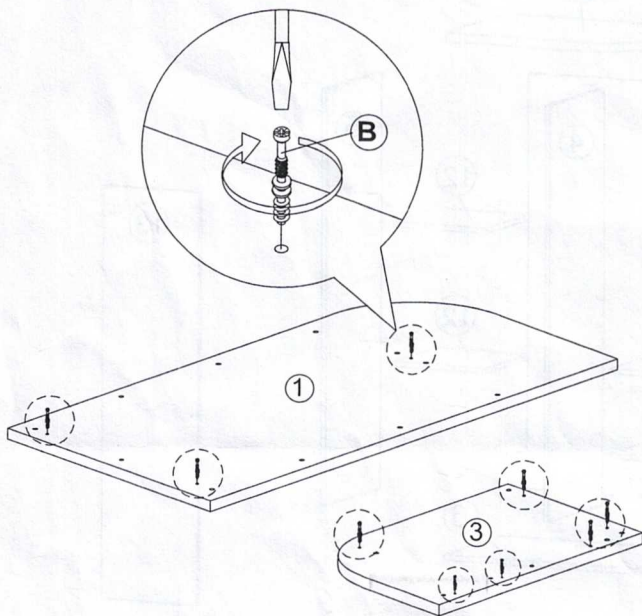
Step 1

A		8x25mm Dowel	55Pcs
---	---	--------------	-------





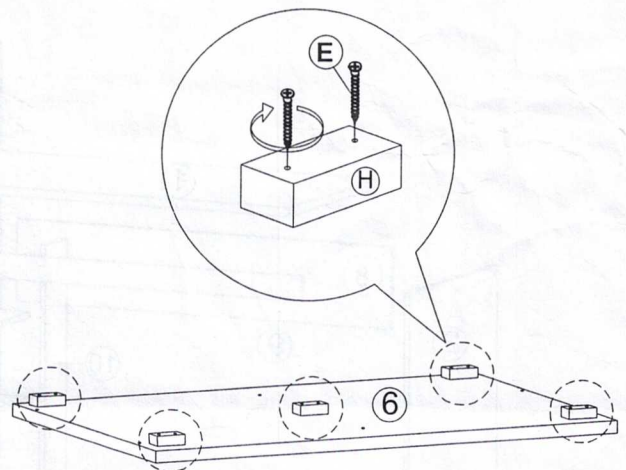
Step 2

B		Myfix	9Pcs
---	---	-------	------



Step 3

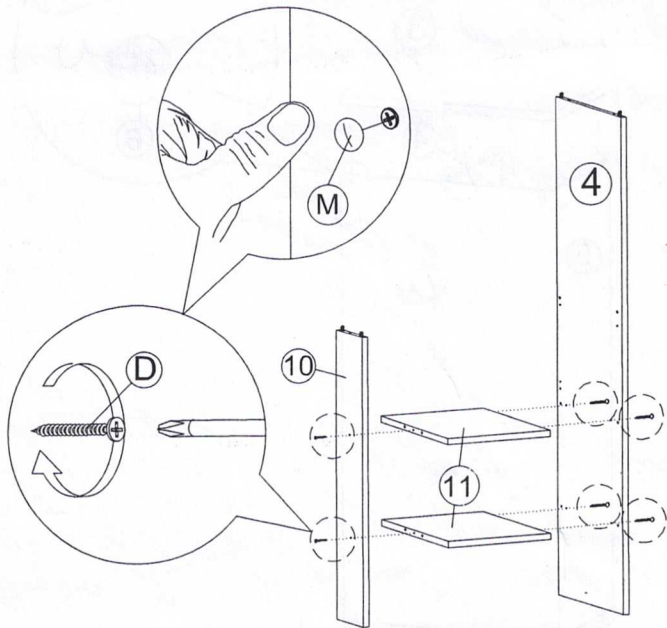
E		M4x20mm Screw	10Pcs
H		Rectangle Leg 100x50x30	5Pcs




Assembly Instruction

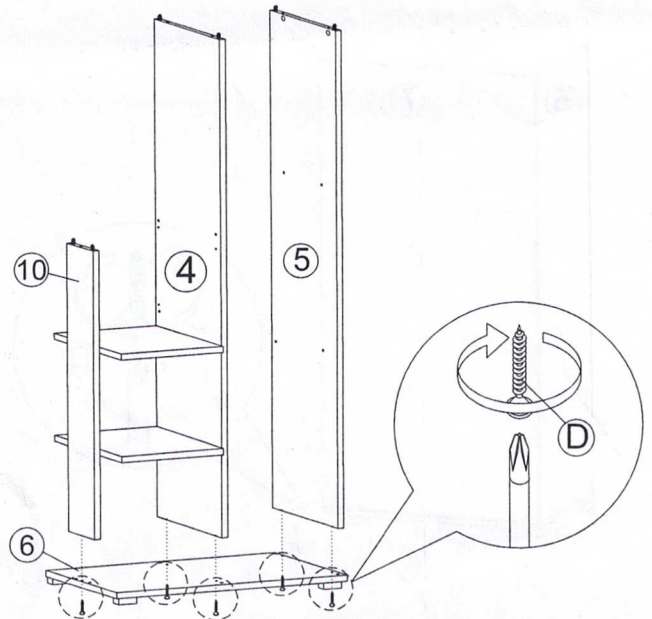
Step 4

D		M4x45mm Screw	6Pcs
M		Sticker 8003	2Pcs




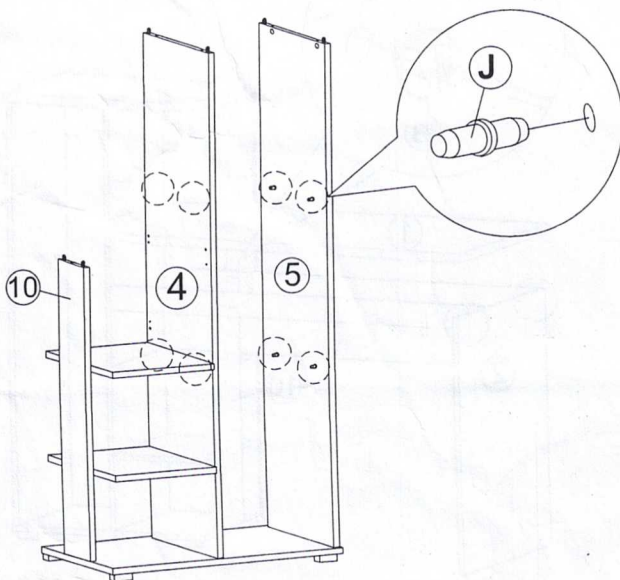
Step 5

D		M4x45mm Screw	5Pcs
---	---	---------------	------





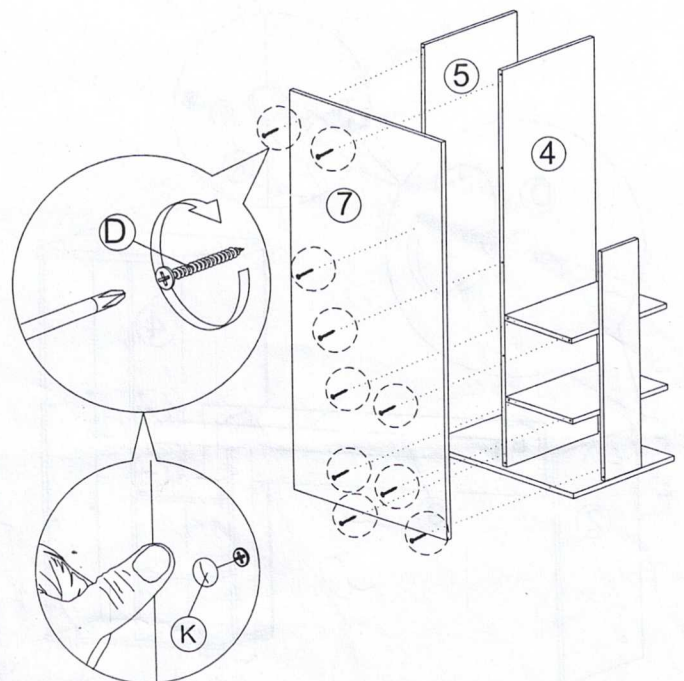
Step 6

J		Shelf Support	8Pcs
---	---	---------------	------



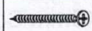
Step 7

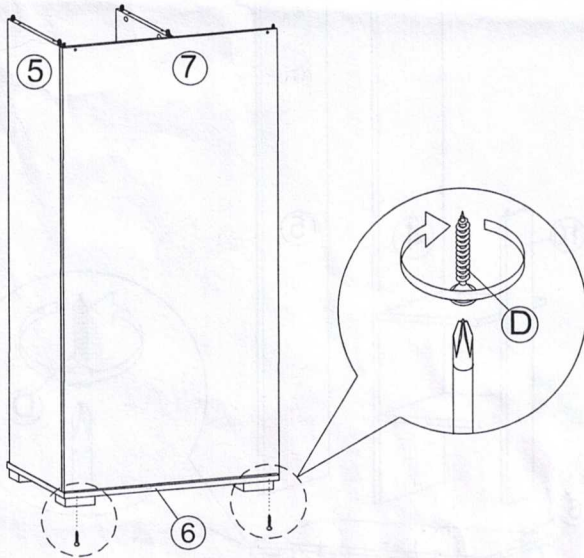
D		M4x45mm Screw	10Pcs
K		Sticker 7324	10Pcs




Assembly Instruction

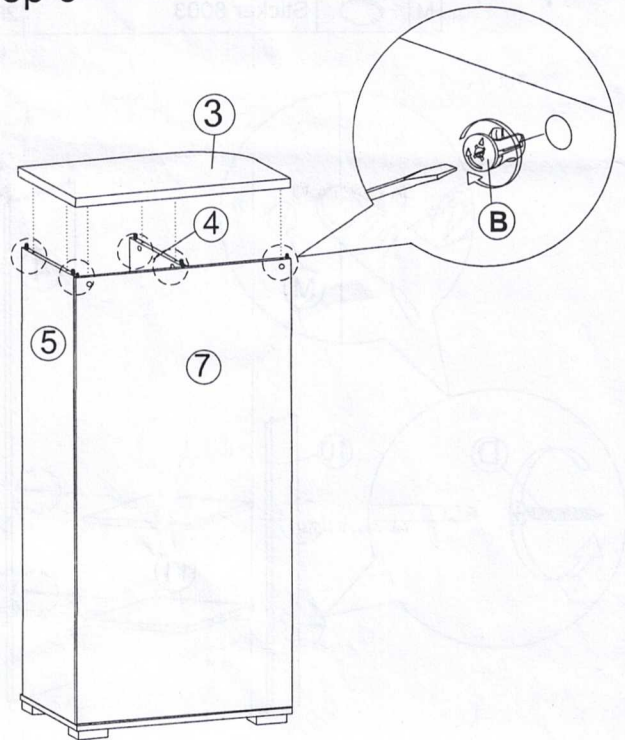
Step 8

D		M4x45mm Screw	2Pcs
---	---	---------------	------



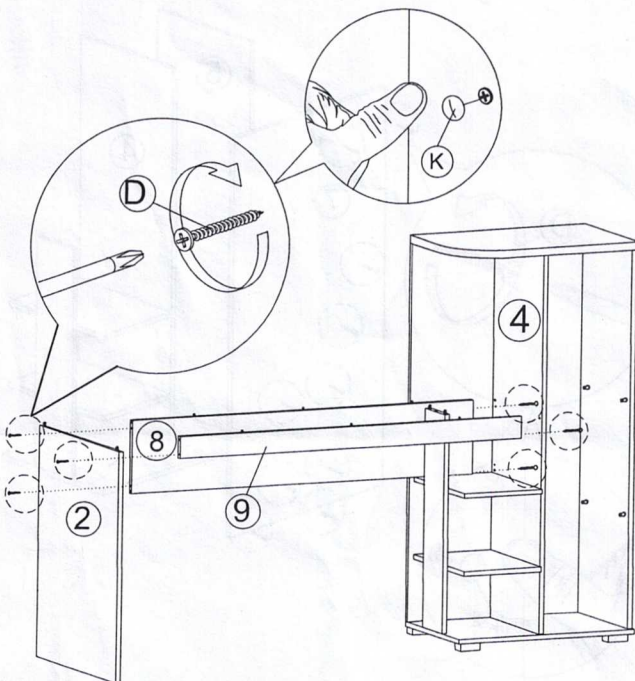
Step 9

B		Minifix	6Pcs
---	---	---------	------




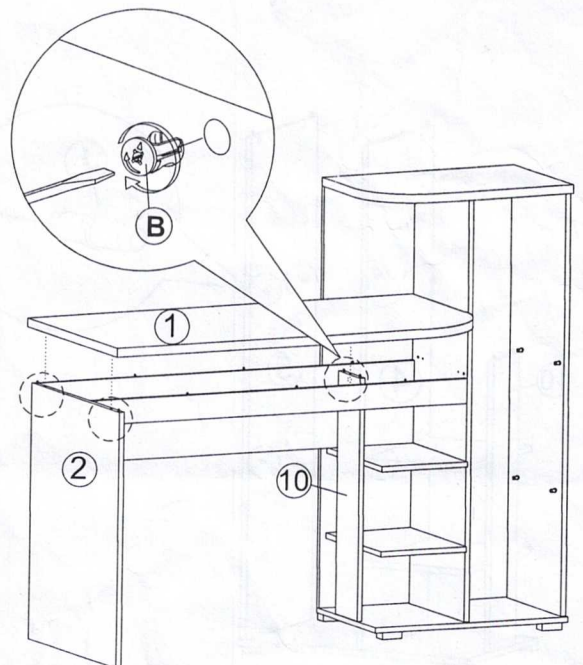
Step 10

D		M4x45mm Screw	6Pcs
K		Sticker 7324	3Pcs



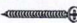
Step 11

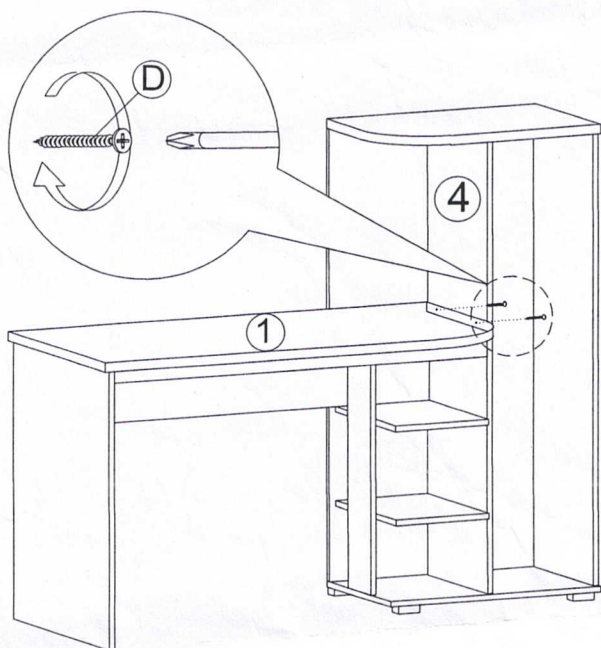
B		Minifix	3Pcs
---	---	---------	------




Assembly Instruction

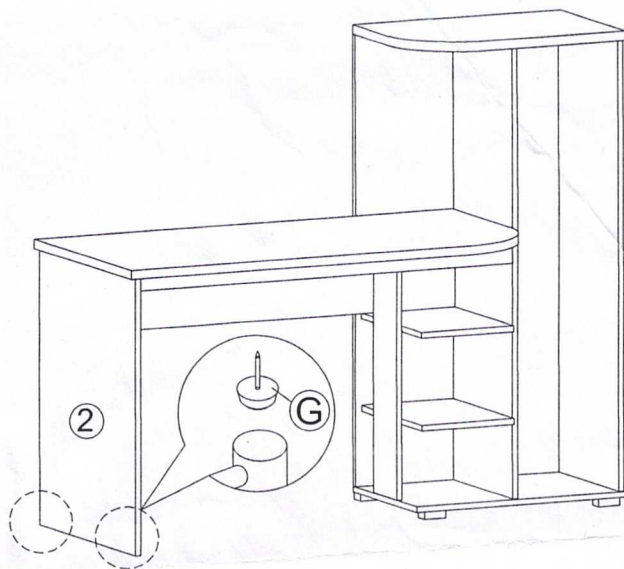
Step 12

D		M4x45mm Screw	2Pcs
---	---	---------------	------

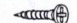



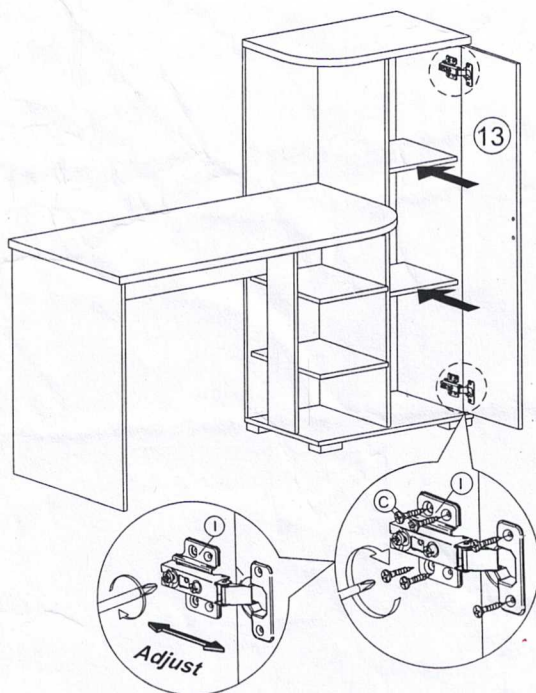
Step 13

G		5/8 Nail With Pin	2Pcs
---	---	-------------------	------





Step 14

C		M3.5x16mm Screw	12Pcs
I		Hinges 2/8	2Pcs



Step 15

F		Handle KT58.160	1Pcs
L		M4x25mm Screw	2Pcs

