

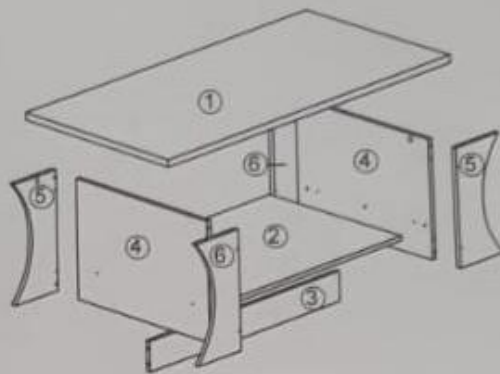
Assembly Instruction

Model : CF 19402

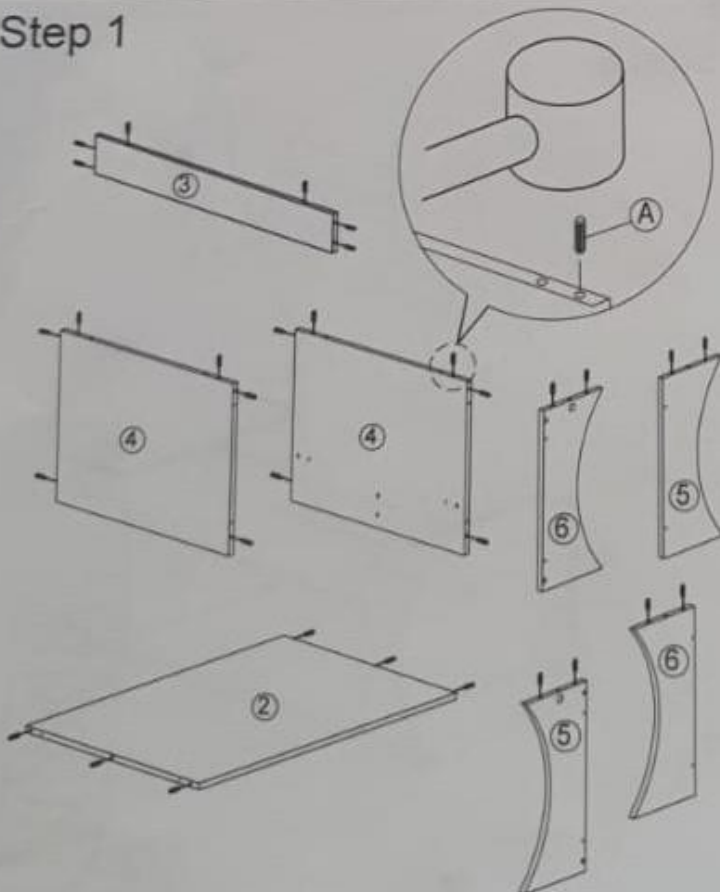
| Hardware List | | | |
|---------------|--|--------------------|-------|
| No | SHAPE | DESCRIPTION | Qty |
| A |  | 8x25mm Dowel | 32Pcs |
| B |  | 15MM Myfix Minifix | 8Sets |
| C |  | M4x45mm Screw | 12Pcs |
| D |  | Nail Leg | 10Pcs |
| E |  | Sticker | 12Pcs |



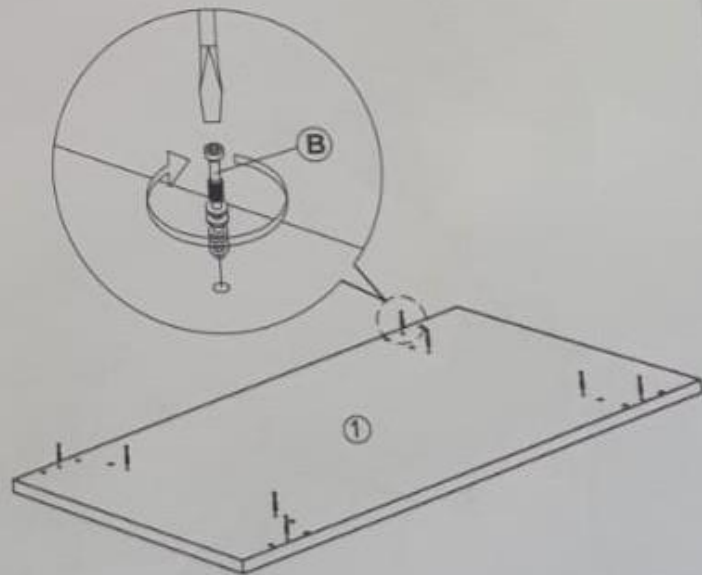
Part List



Step 1

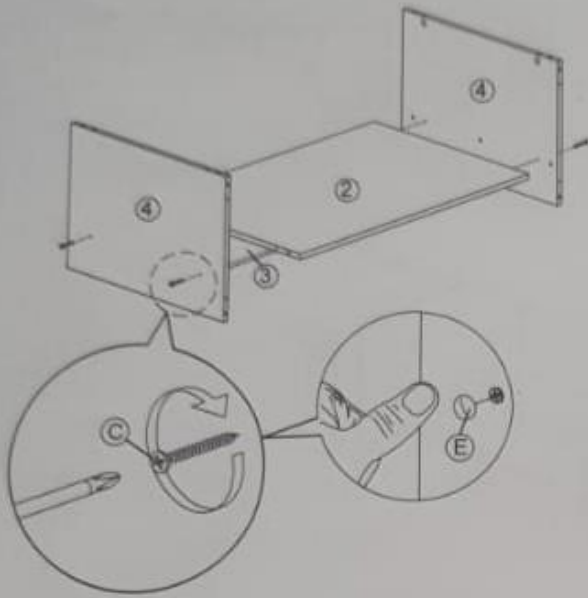


Step 2

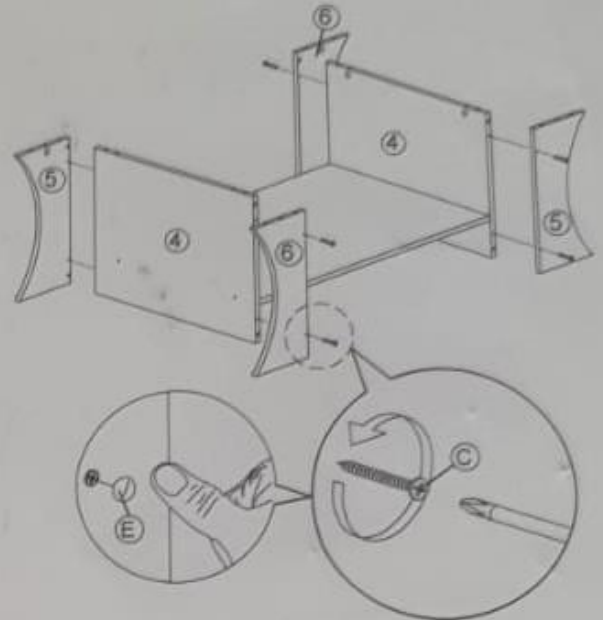


Assembly Instruction

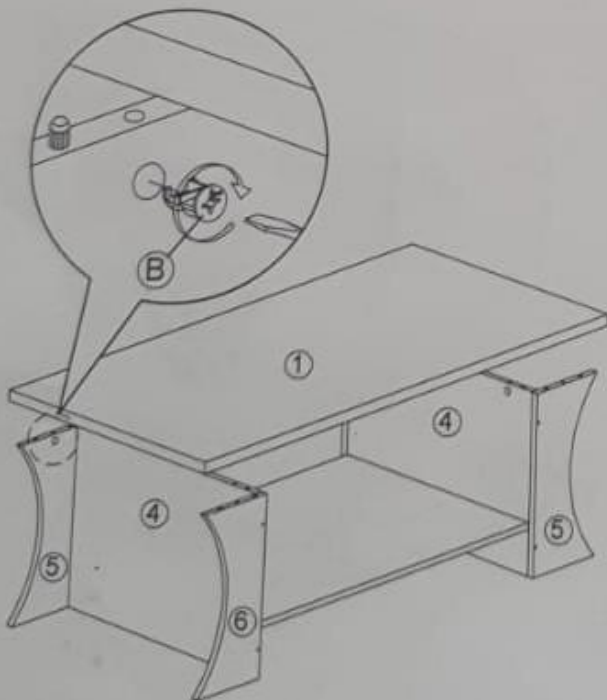
Step 3



Step 4



Step 5



Step 6

