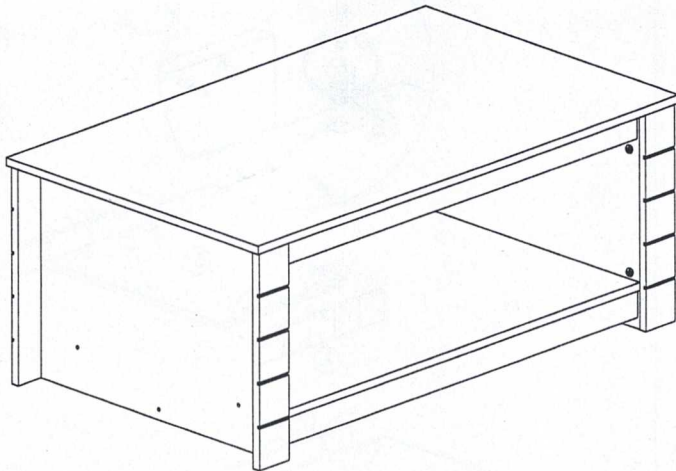


Mirage CT

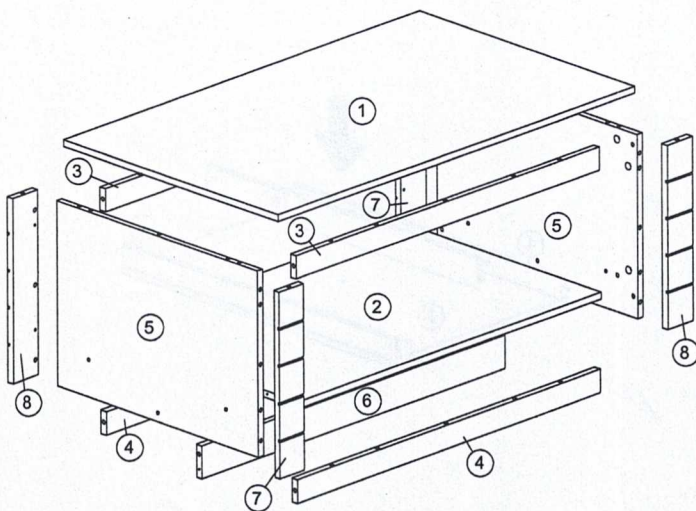
# Assembly Instruction

Model : CF 23001



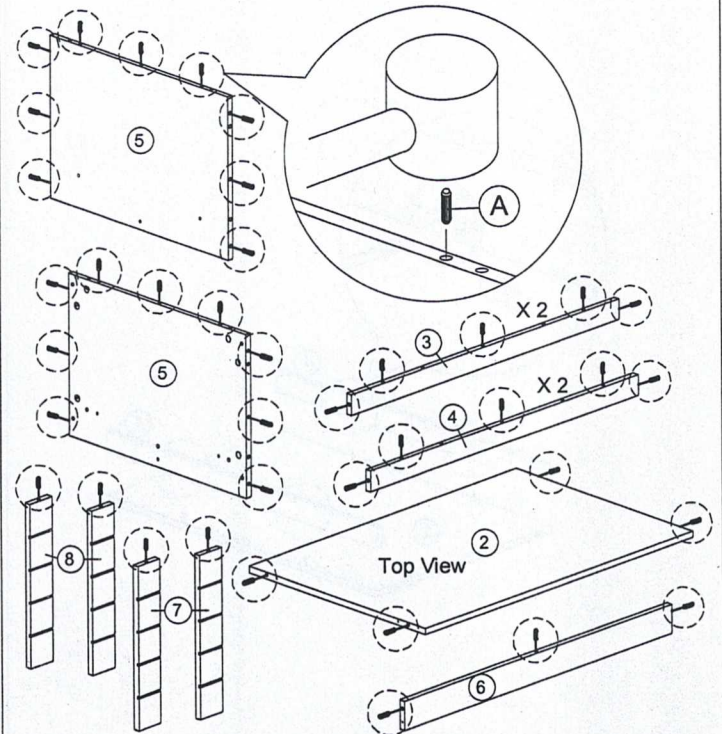
Hardware List			
No.	SHAPE	DESCRIPTION	Qty.
A		8x25mm Dowel	49Pcs
B		15MM Myfix Minifix	20Sets
C		M4x45mm Screw	6Pcs
D		5/8 Nail With Pin	4Pcs
E		Sticker	6Pcs

## Part List



## Step 1


A		8x25mm Dowel	49Pcs
---	--	--------------	-------

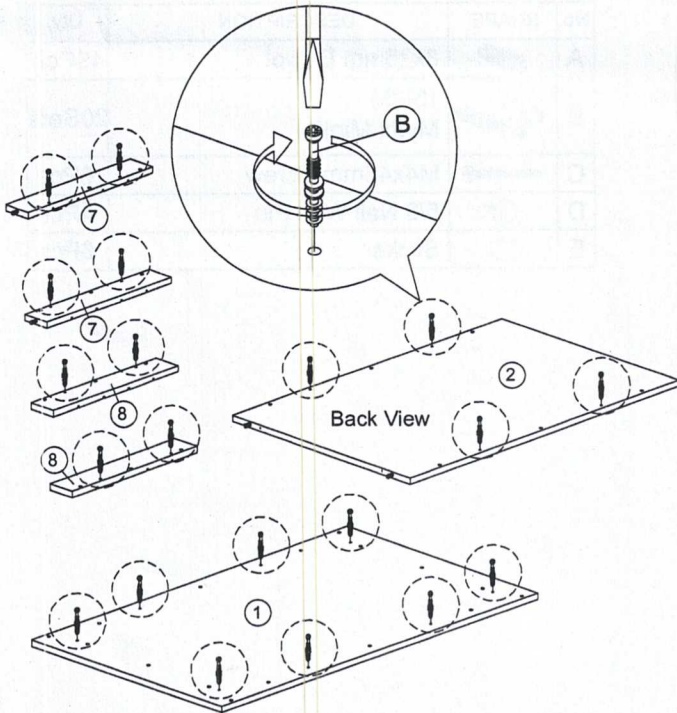





# Assembly Instruction

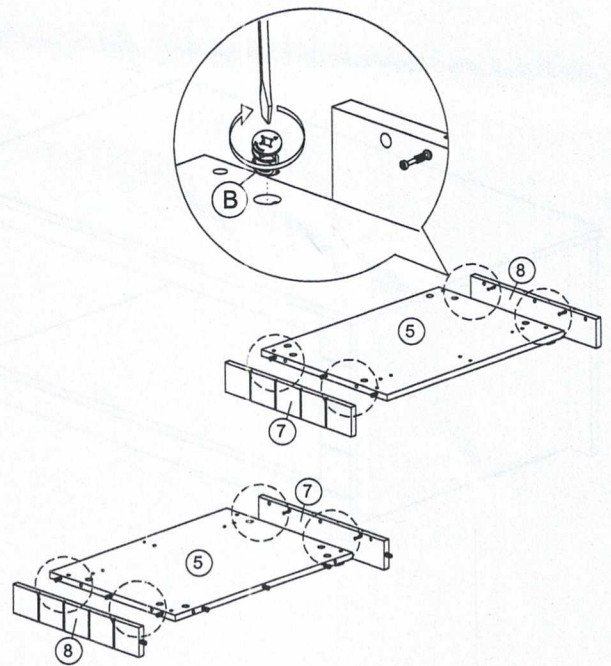
Step 2

B  Myfix 20Pcs




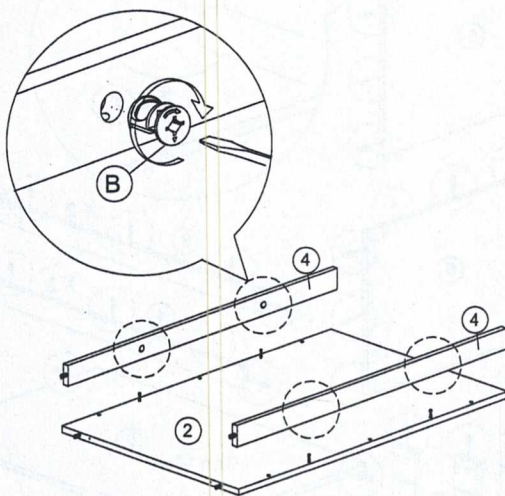
Step 3

B  Minifix 8Pcs

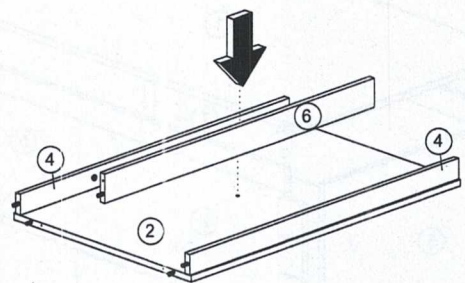


Step 4

B  Minifix 4Pcs



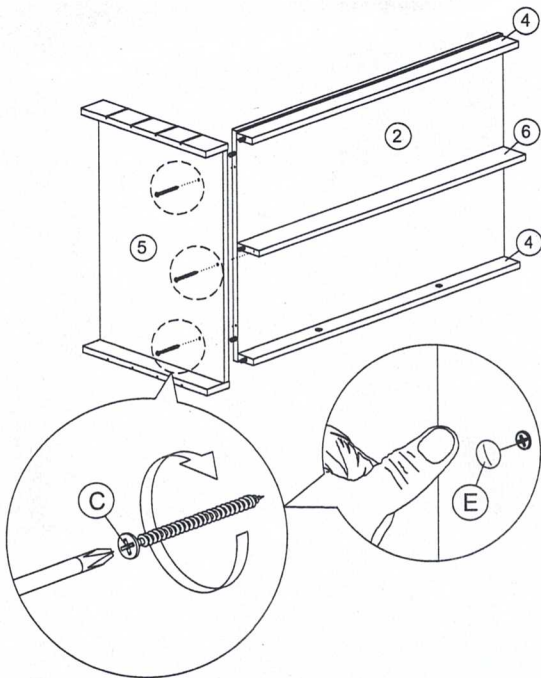
Step 5





# Assembly Instruction

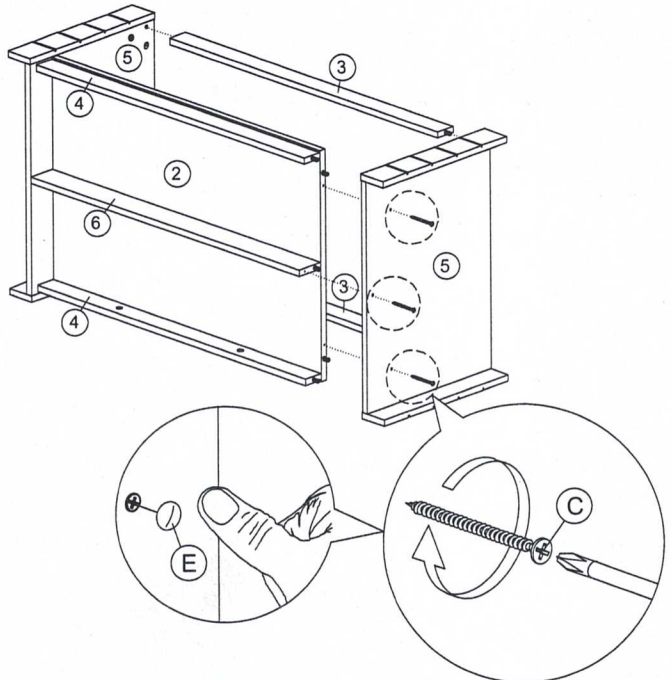
## Step 6

C		M4x45mm Screw	3Pcs
E		Sticker	3Pcs




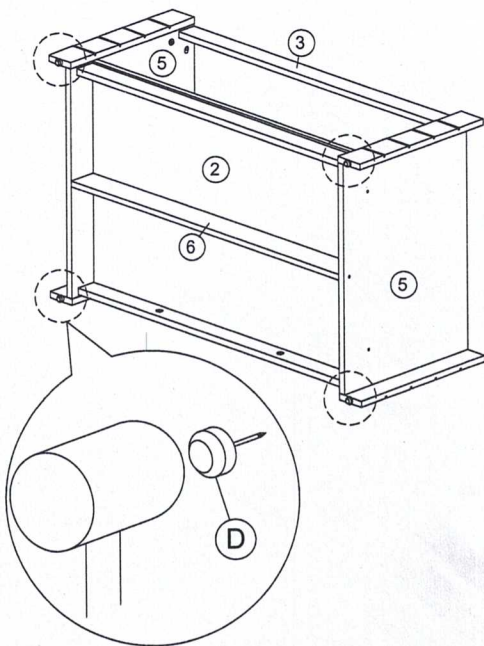
## Step 7

C		M4x45mm Screw	3Pcs
E		Sticker	3Pcs




## Step 8

D		5/8 Nail With Pin	4Pcs
---	---	-------------------	------



## Step 9

B		Minifix	8Pcs
---	---	---------	------

