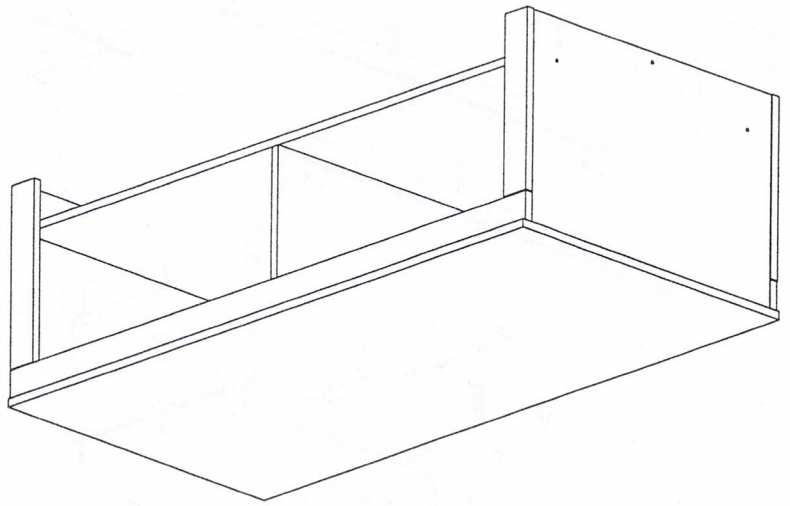


Part List



*Malibu*

No.	SHAPE	DESCRIPTION	Qty.
A		8x25mm Dowel	40Pcs
B		15MM Myfix Minifix	18Sets
C		M4x45mm Screw	8Pcs
D		5/8 Nail With Pin	4Pcs
E		Sticker	6Pcs

Hardware List

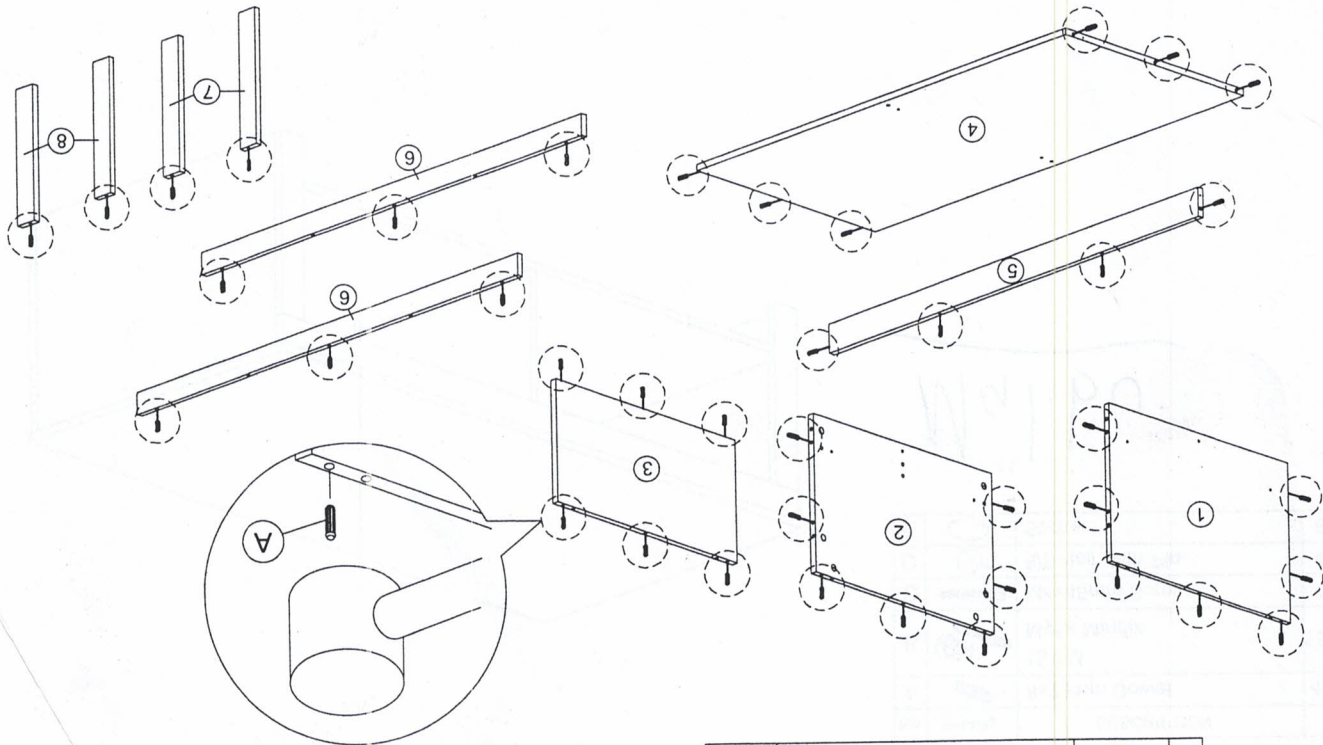
Model : CF 23002

# Assembly Instruction

# Assembly Instruction

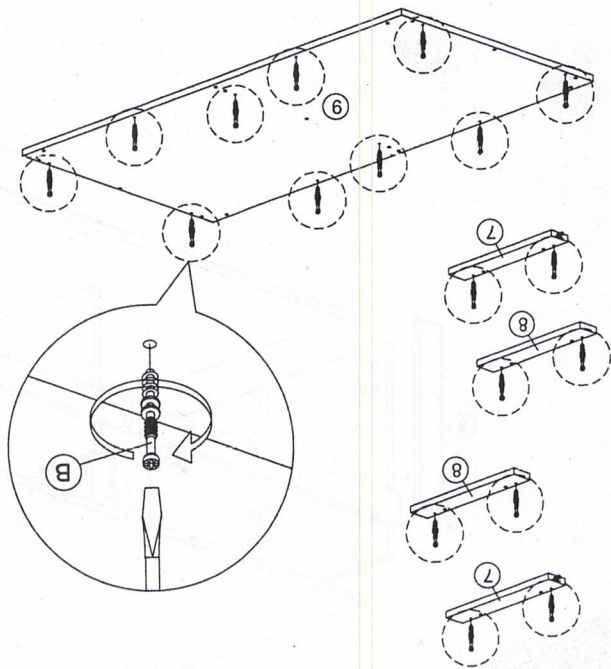
Step 1

A 8x25mm Dowel 40Pcs



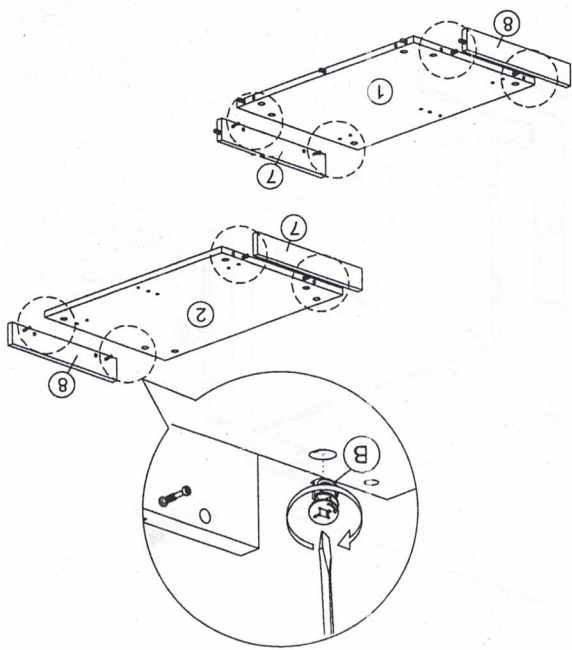
Step 2

B Myfix 18Pcs



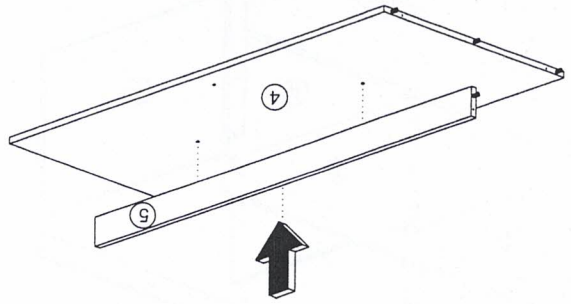
Step 3

B Minitix 8Pcs

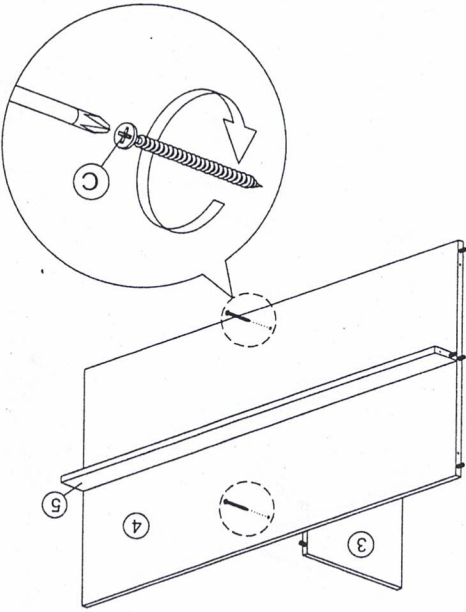


# Assembly Instruction

Step 4

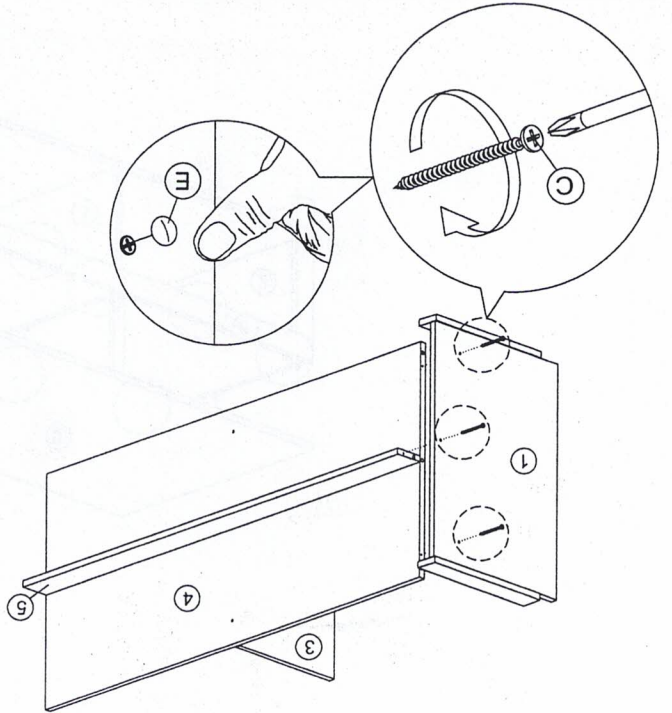


Step 5



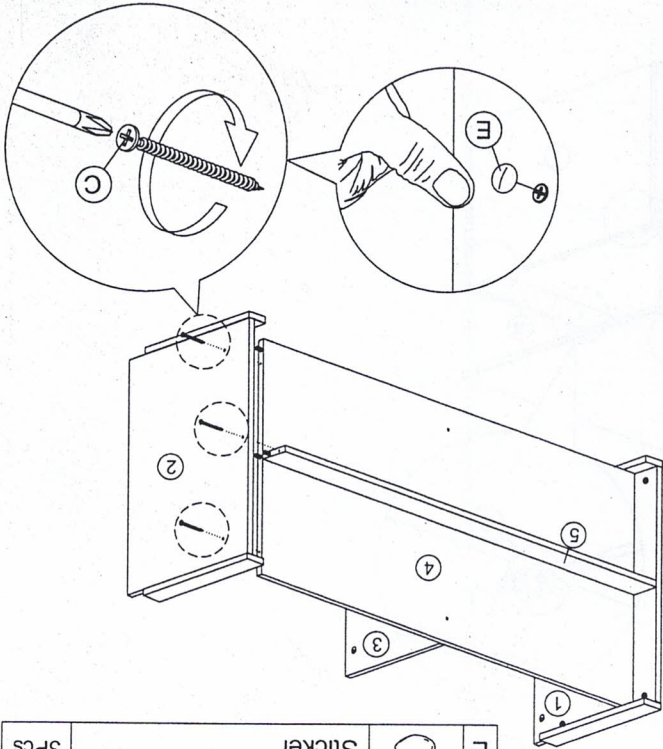
C	M4x45mm Screw	2Pcs
---	---------------	------

Step 6



E	Sticker	3Pcs
C	M4x45mm Screw	3Pcs

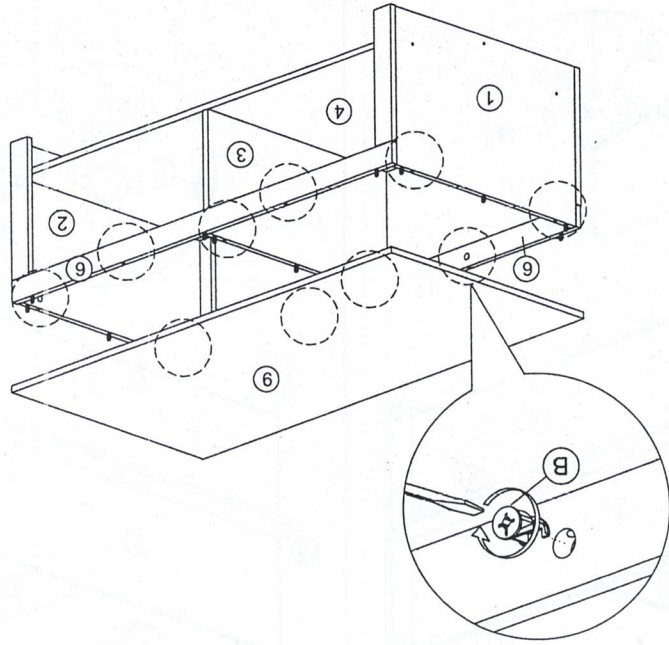
Step 7



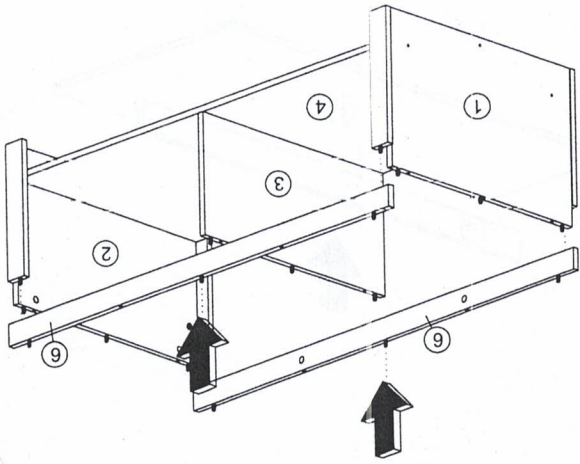
E	Sticker	3Pcs
C	M4x45mm Screw	3Pcs

# Assembly Instruction

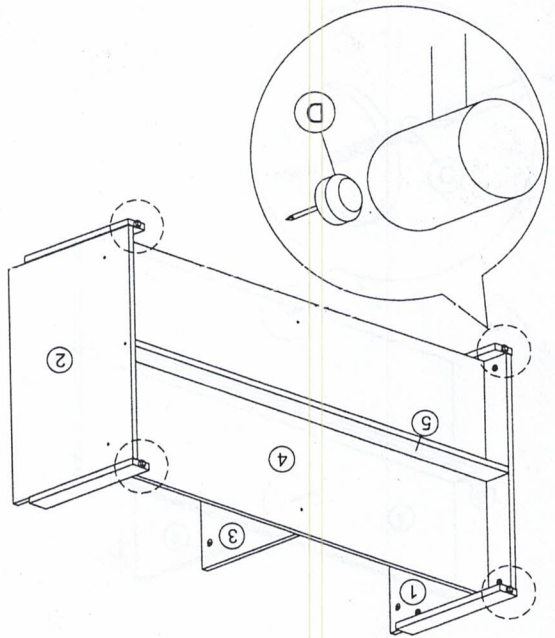
4



Step 10 10Pcs B Minifix



Step 9



Step 8 4Pcs D 5/8 Nail With Pin