

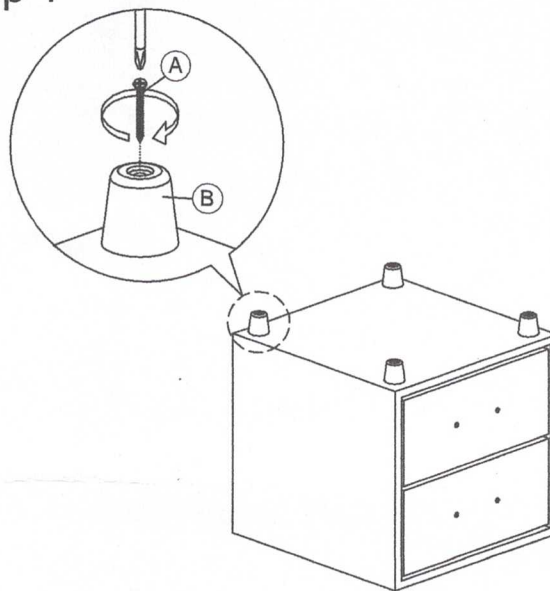
Assembly Instruction

Model : Majestic 2 Side Table

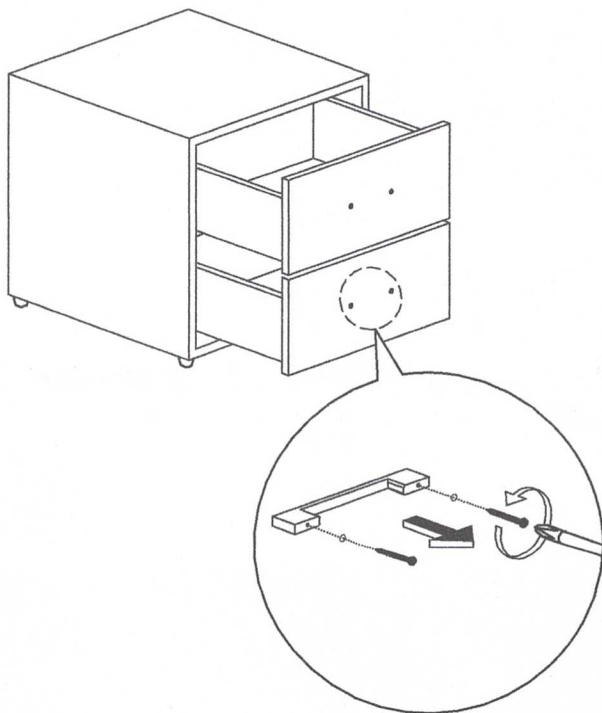
Hardware List			
No.	SHAPE	DESCRIPTION	Qty.
A		M4x45mm Screw	4Pcs
B		Plastic Leg	4Pcs



Step 1



Step 2



Step 3

