

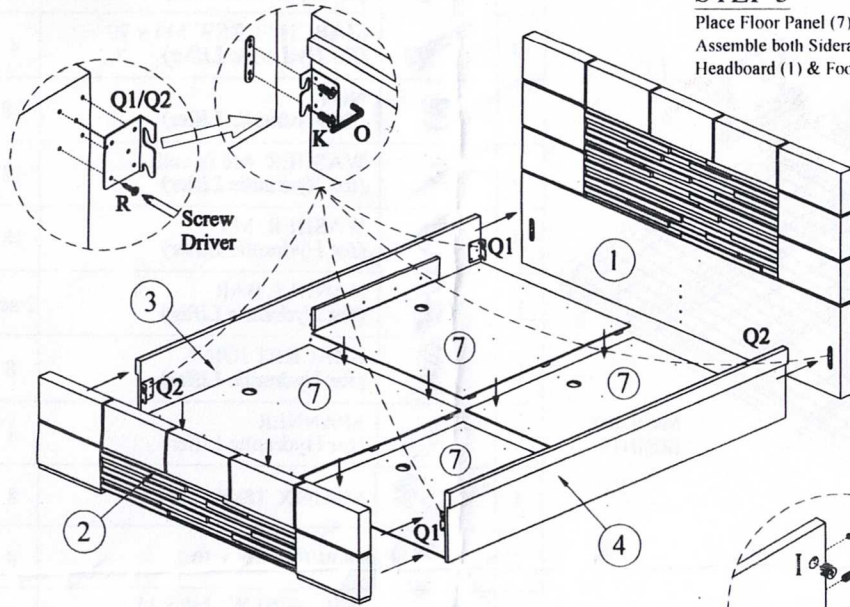
LAVENDER BED (for King & Queen Size)

Thank you for purchasing this quality product. Be sure to check all packing material carefully for small parts that may have come loose inside the carton during shipment.

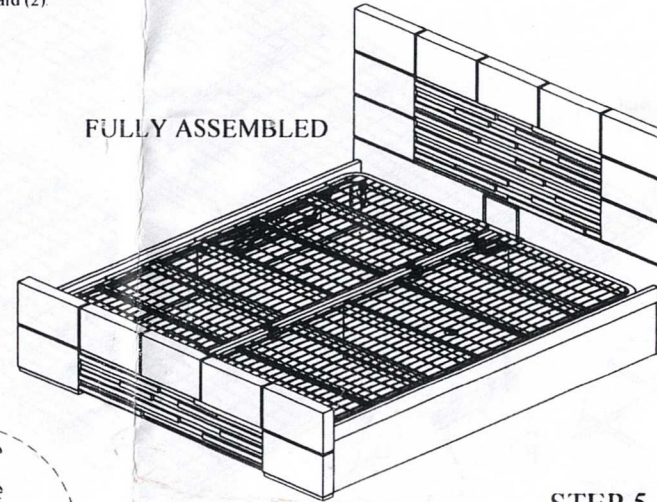
INSTRUCTION SHEET 2 of 2

STEP 3

Place Floor Panel (7) on flat surface.
Assemble both Siderail (3 & 4) to
Headboard (1) & Footboard (2).



FULLY ASSEMBLED

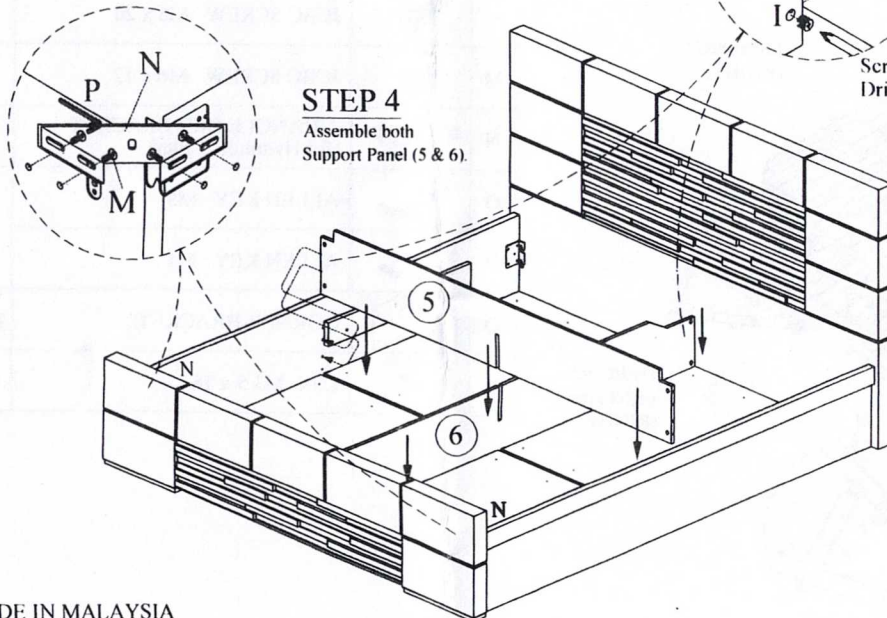


PART LIST

NO.	DESCRIPTION	QTY.
1	HEADBOARD	1pc
2	FOOTBOARD	1pc
3	SIDE RAIL (LEFT)	2pcs
4	SIDE RAIL (RIGHT)	1pc
5	SUPPORT PANEL A	1pc
6	SUPPORT PANEL B	4pcs
7	FLOOR PANEL	4pcs
8	HYDRAULIC LIFTER	1sets

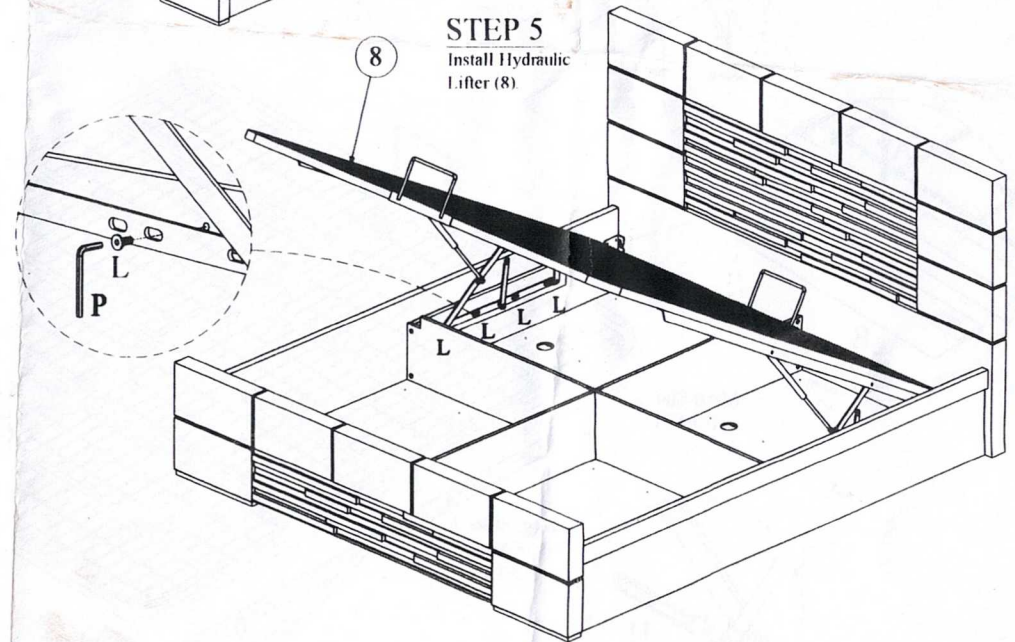
STEP 4

Assemble both
Support Panel (5 & 6).



STEP 5

Install Hydraulic
Lifter (8).



LAVENDER BED

(for King & Queen Size)

Thank you for purchasing this quality product. Be sure to check all packing material carefully for small parts that may have come loose inside the carton during shipment.

INSTRUCTION SHEET

1 of 2

HARDWARE LIST

NO.	DESCRIPTION	QTY
A	MARCH SCREW M6 x 45 <i>(for Hydraulic Lifter)</i>	14
B	MARCH SCREW M6 x 70 <i>(for Hydraulic Lifter)</i>	4
C	NUT <i>(for Hydraulic Lifter)</i>	18
D	WASHER M6 (small) <i>(for Hydraulic Lifter)</i>	18
E	WASHER M6 <i>(for Hydraulic Lifter)</i>	18
F	HANDLE BAR <i>(for Hydraulic Lifter)</i>	2 sets
G	BRACKET JOINT <i>(for Hydraulic Lifter)</i>	8
H	SPANNER <i>(for Hydraulic Lifter)</i>	1
I	MINIFIX 18MM	8
J	DOWEL M8 x 30	8
K	JCBC SCREW M8 x 15 <i>(pre-installed on Headboard & Footboard)</i>	8
L	JCBC SCREW M6 x 20	8
M	JCBC SCREW M6 x 12	8
N	TRIANGLE BED BRACKET <i>(for Hydraulic Lifter)</i>	2
O	ALLEN KEY M5	1
P	ALLEN KEY M4	1
Q	CORNER BRACKET	2sets
R	CSK M3.5 x 16	20

