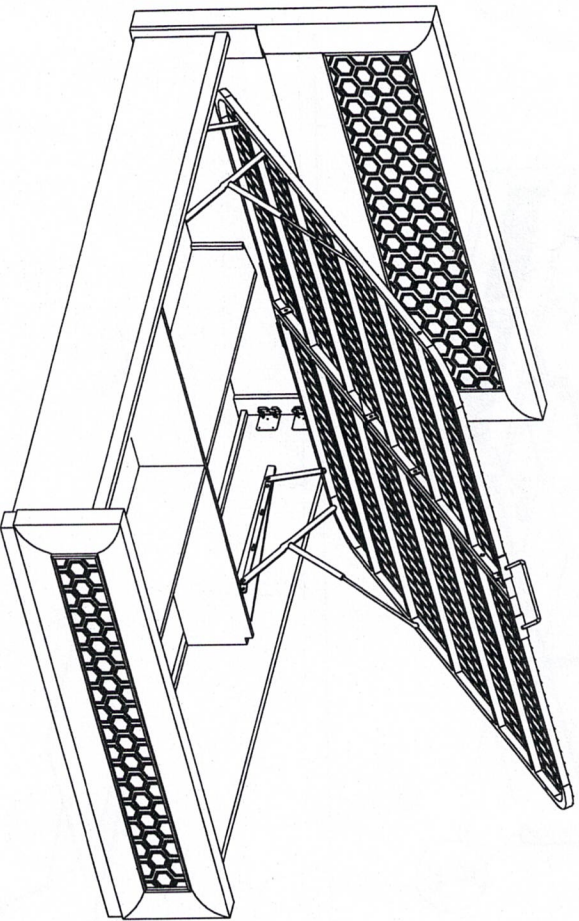


MODEL : HERITAGE BED-15

Queen Bed Knock Down Structure



TOOLS REQUIRED



① PHILIP HEAD SCREW DRIVER

HARDWARE LIST

ITEM	QTY
A JCRC BOLT (6 X 25)	08 PCS
B 4 X 30 CRS	08 PCS
C M4 ALLEN KEY	01 PCS
D CORNER BRACKET	02 PCS
E JCRC BOLT (6 X 12)	04 PCS
F MEDIUM WASHER	12 PCS
G NAIL 1/8	16 PCS
H MAX 1/6 NUT SCREW	16 PCS

* Thank you for purchasing our product. This product has been designed for easy assembly and constructed for durability. Please take the time to read and follow the assembly instructions carefully.

IMPORTANT NOTE :

- * Place all wooden parts on a clean and smooth surface such as a rug or carpet to avoid the parts from being scratched. Check to be sure that you have all parts and hardware. Remove all wrapping materials, including staples & packing straps before you start to assemble.
- * Keep all hardware parts out of reach of children.
- * Two person are required.
- * All parts are labeled / stamped with different number. Please regard the last number stamped on the product as part number.

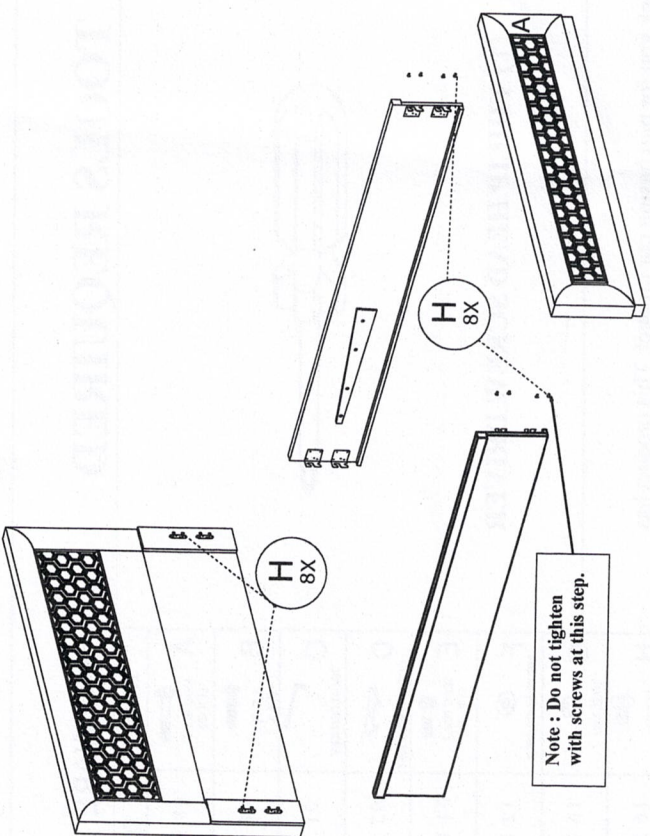
CARE AND MAINTENANCE !

- * The touch of a soft cloth is all maintenance your wood pieces will ever need. Never use harsh

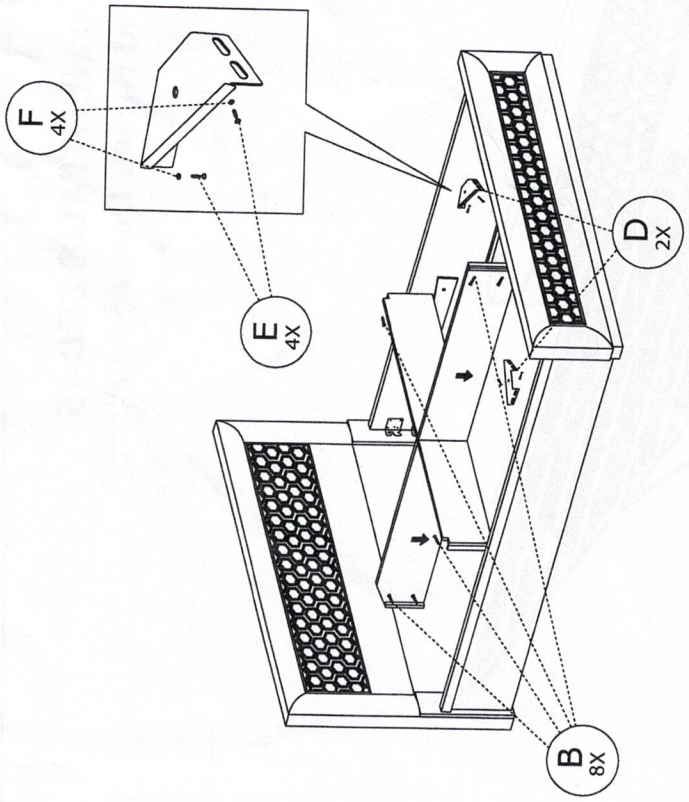
MADE IN MALAYSIA

I NUT M6	18 PCS
J HANDLE	02 PCS
K JCRC BOLT (6 X 40)	14 PCS
L JCRC BOLT (6 X 65)	04 PCS
M SMALL WASHER BLACK	06 PCS
N MEDIUM WASHER BLACK	16 PCS
O SPANNER	08 PCS
P SPANNER	01 PCS

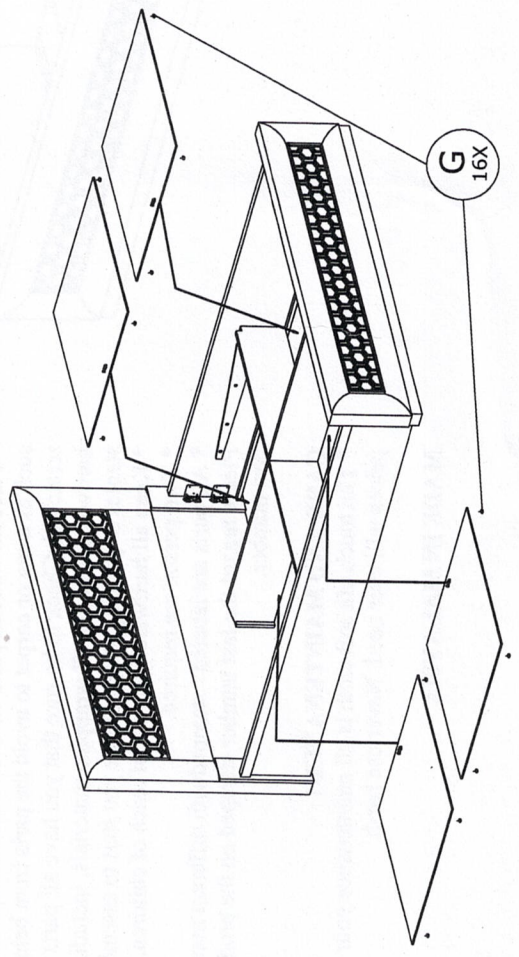
STEP 1



STEP 2



STEP 3



STEP 4

