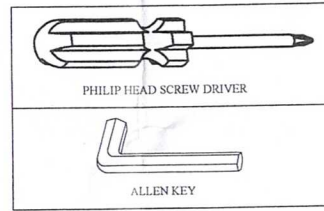





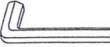
MODEL : WELLSON BED-10


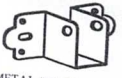

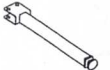
ASSEMBLY INSTRUCTIONS

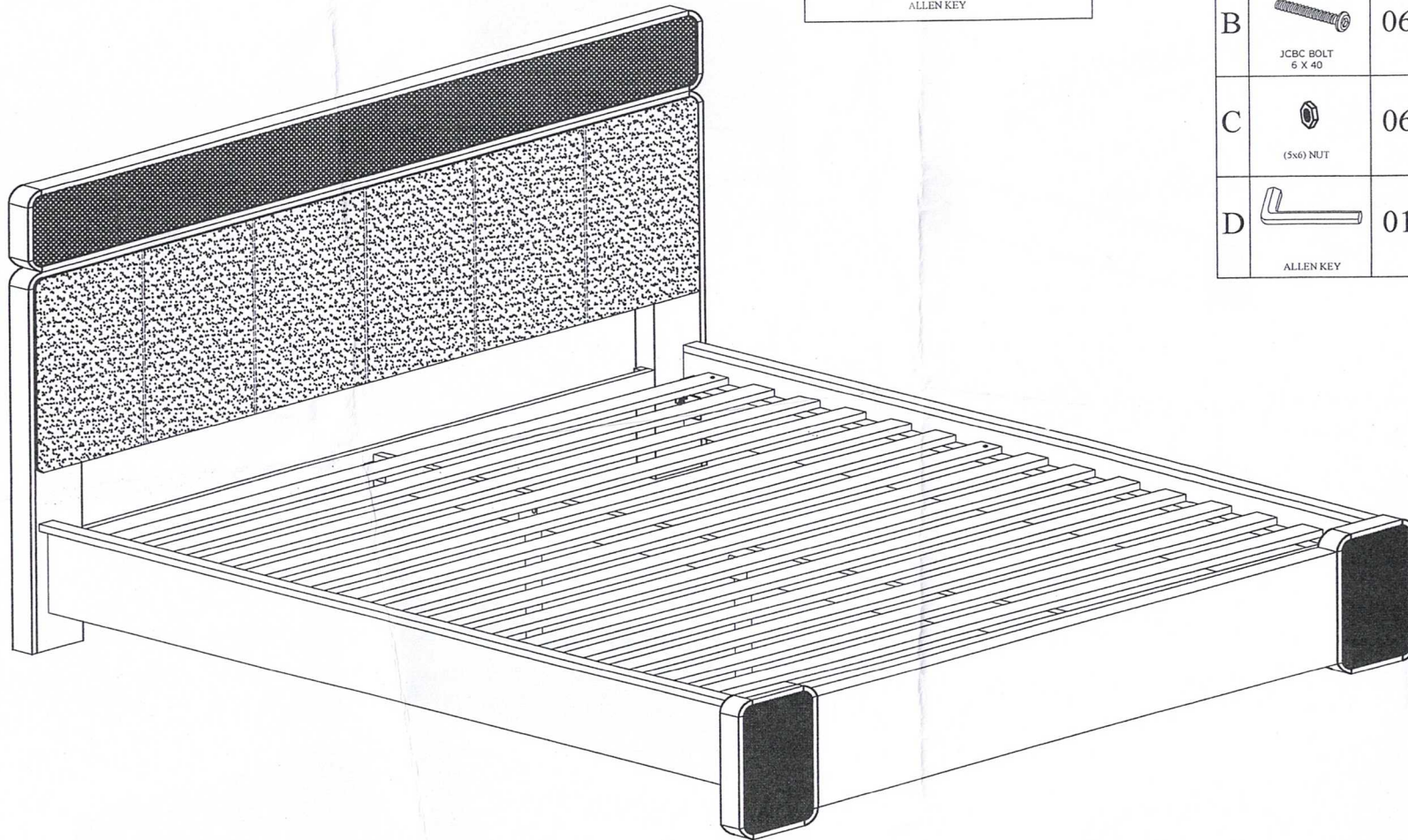
TOOL REQUIRED



HARDWARE LIST

ITEMS	QTY
A  C.B.S M3.5 x 16	08 PCS
B  JCBC BOLT 6 X 40	06 PCS
C  (5x6) NUT	06 PCS
D  ALLEN KEY	01 PC

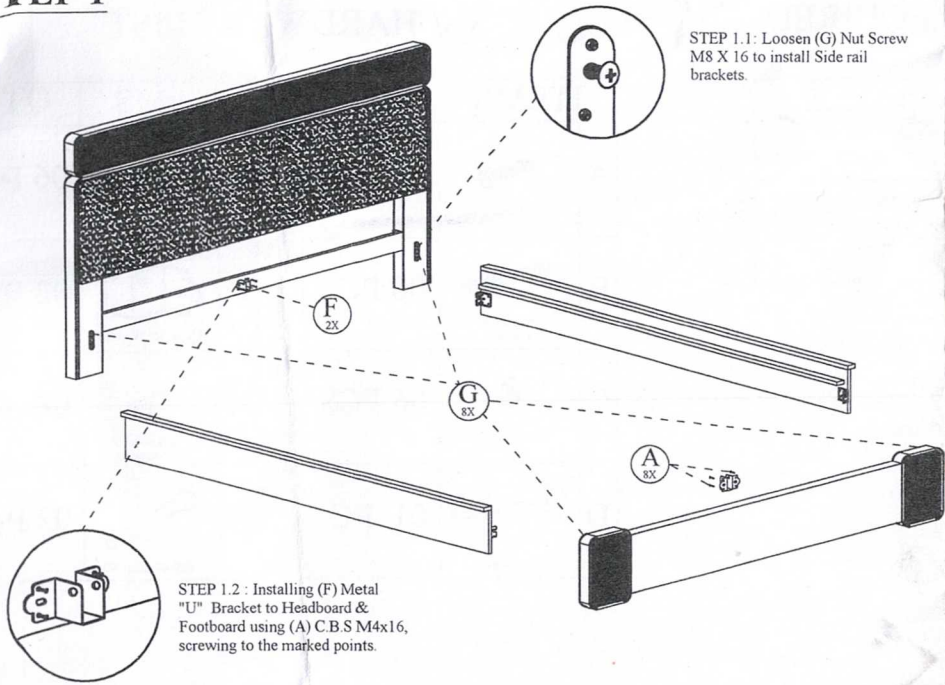
ITEMS	QTY
E  C.B.S M4 x 30	06 PCS
F  METAL "U" BRACKET	02 PCS
G  M 8 X 16 NUT SCREW	08 PCS
H  BED METAL LEG	02 PCS



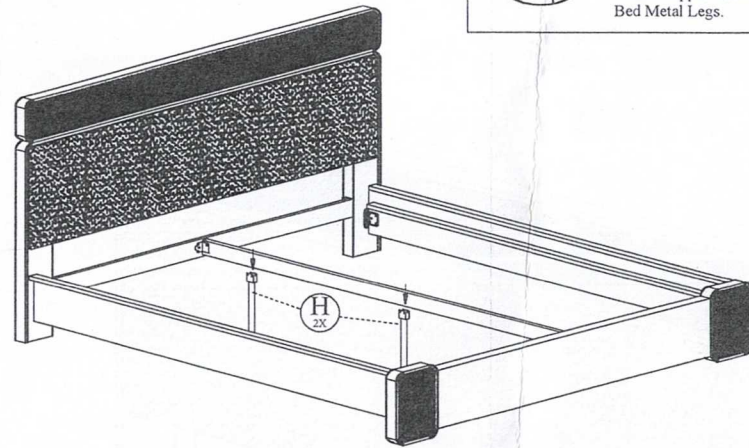
IMPORTANT NOTICE :

- * Place all wooden parts on a clean and smooth surface to avoid the parts from being scratch.
- * Check to ensure that you have all parts and hardware.
- * Keep all hardware parts out of reach of children.
- * Never use harsh chemicals or abrasive cleaners, as they could destroy the finishing.

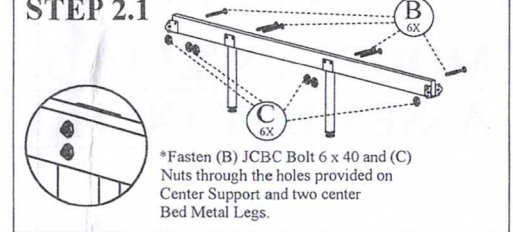
STEP 1



STEP 2



STEP 2.1



STEP 3

