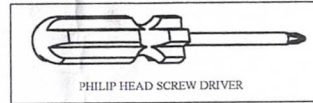


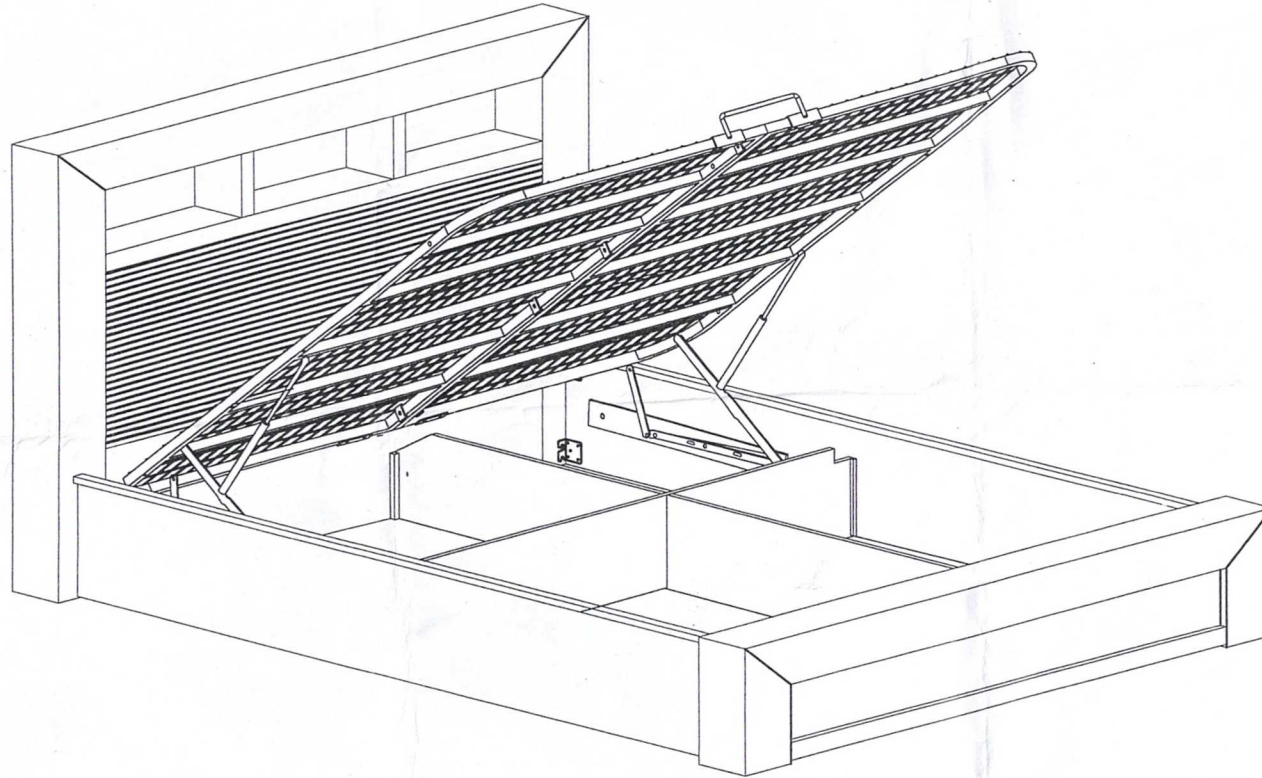
MODEL : WARRENZ BED-06



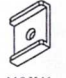




ASSEMBLY INSTRUCTIONS



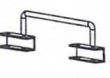



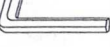
TOOL REQUIRED



HARDWARE LIST



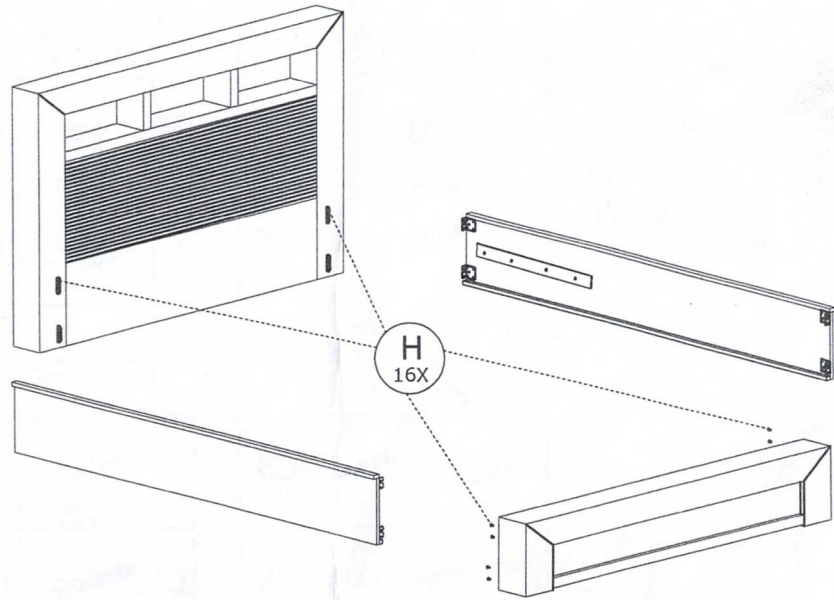
ITEMS	QTY
A  JCBC BOLT 6 X 25	08 PCS
B  C.B.S M4 x 30	08 PCS
C  M 8 X 16 NUT SCREW	08 PCS
D  IN CTN 6:6	02 PCS
E  JCBC BOLT 6 X 12	04 PCS
F  MEDIUM WASHER	12 PCS
G  SMALL WASHER BLACK	22 PCS

ITEMS	QTY
H  M 8 X 16 NUT SCREW	16 PCS
I  NUT M6	18 PCS
J  HANDLE	02 PCS
K  JCBC BOLT 6 X 30	14 PCS
L  JCBC BOLT 6 X 65	04 PCS
M  SPANNER	01 PC
N  M4 ALLEN KEY	01 PC

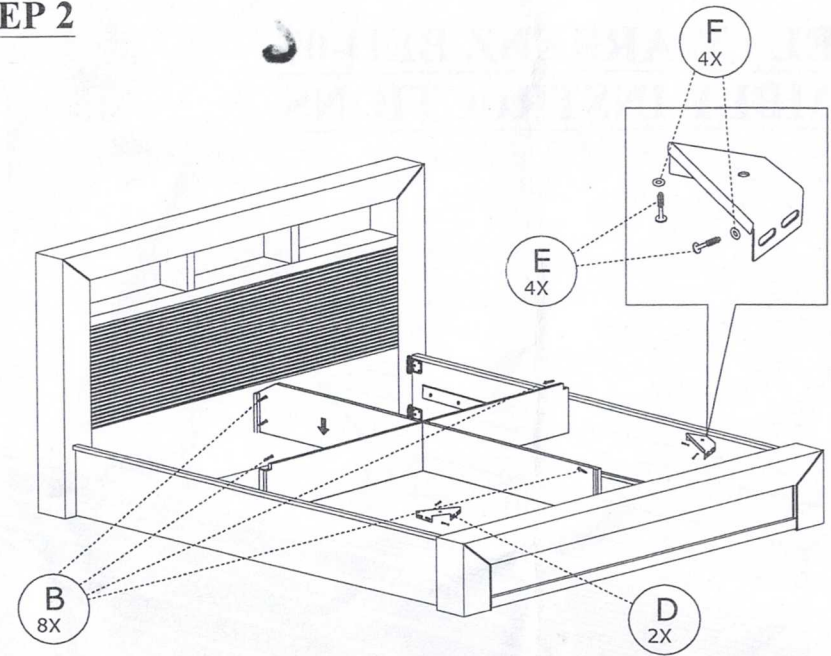
IMPORTANT NOTICE :

- * Place all wooden parts on a clean and smooth surface to avoid the parts from being scratch.
- * Check to ensure that you have all parts and hardwares..
- * Keep all hardware parts out of reach of children.
- * Never use harsh chemicals or abrasive cleaners, as they could destroy the finishing.

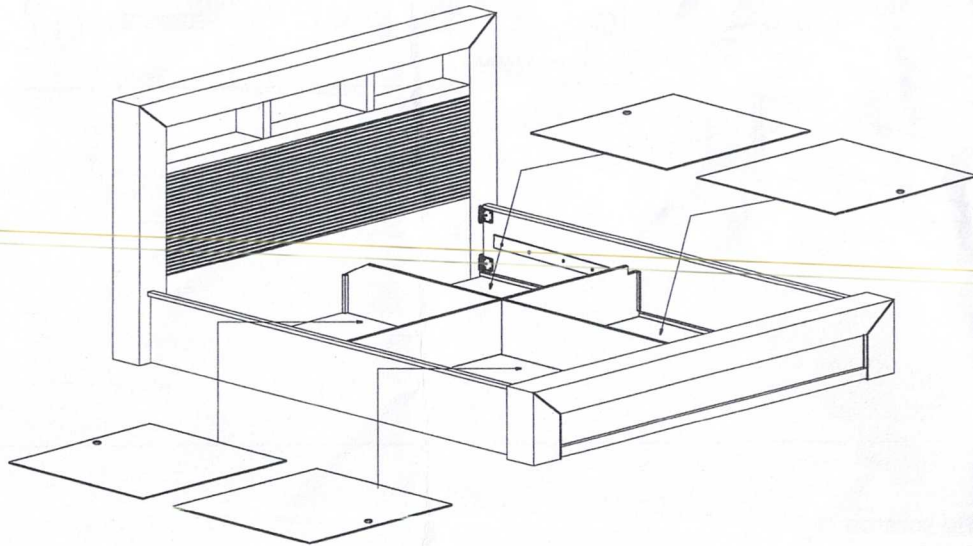
STEP 1



STEP 2



STEP 3



STEP 4

