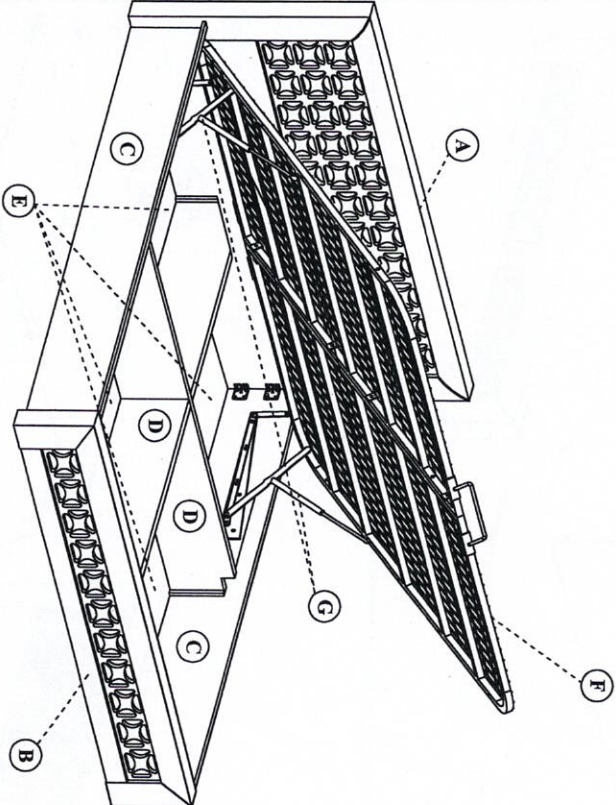
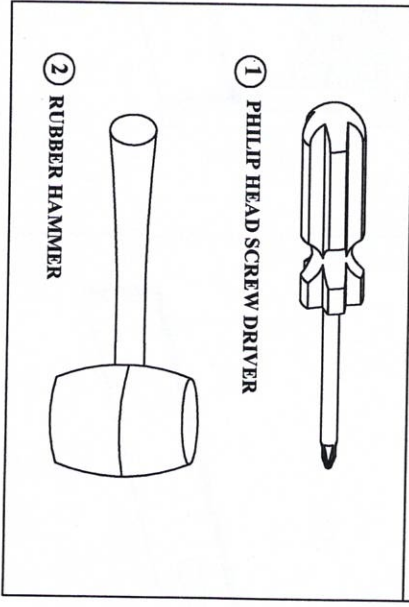


# MODEL : PRAGUE BED-23 Bed Knock Down Structure



## TOOLS REQUIRED



\* Thank you for purchasing our product. This product has been designed for easy assembly and constructed for durability. Please take the time to read and follow the assembly instructions carefully.

### IMPORTANT NOTE :

- \* Place all wooden parts on a clean and smooth surface such as a rug or carpet to avoid the parts from being scratched. Check to be sure that you have all parts and hardware. Remove all wrapping materials, including staples & packing straps before you start to assemble.
- \* Keep all hardware parts out of reach of children.
- \* Two persons are required.
- \* All parts are labeled / stamped with different number. Please regard the last number stamped on the product as part number.

### CARE AND MAINTENANCE !

\* The touch of a soft cloth is all maintenance your wood pieces will ever need. Never use harsh chemicals or abrasive cleaners, as they could mark or destroy finish.

**MADE IN MALAYSIA**

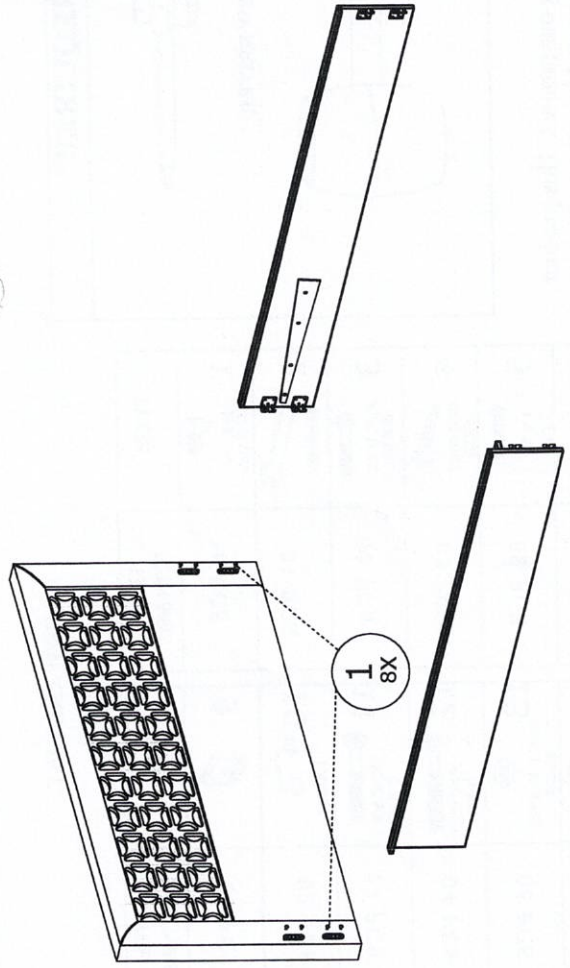
## HARDWARE LIST

ITEM	QTY (CTN 5/6)	ITEM	QTY (CTN 5/6)
1 M 8 X 16 NUT SCREW	16 PCS	9 	08 PCS
2 SPANNER	01 PCS	10 HANDLE	02 PCS
3 JCB BOLT (6 X 25)	08 PCS	11 JCB BOLT (6 X 40)	14 PCS
4 JCB BOLT (6 X 12)	08 PCS	12 JCB BOLT (6 X 70)	04 PCS
5 4 X 30 C.B.S	08 PCS	13 SMALL WASHER BLACK	06 PCS
6 	12 PCS	14 MEDIUM WASHER BLACK	16 PCS
7 M4 ALLEN KEY	01 PCS	15 NUT M6	18 PCS
8  (IN CTN 6/6)	02 PCS	16 <del>CABLE CAP 60MM (BLACK)</del>	04 PCS

## PART LIST

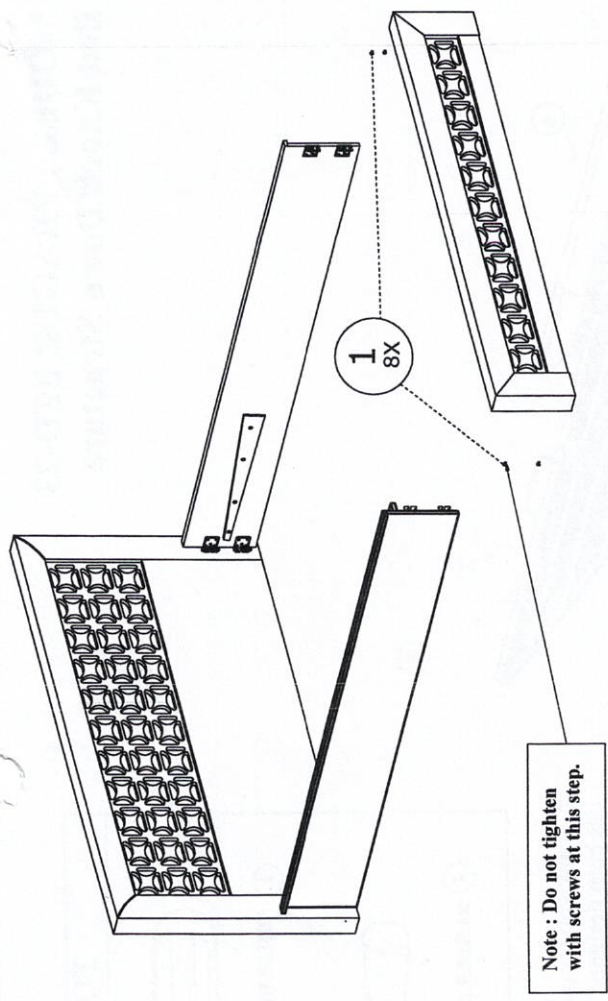
BIL	ITEM	QTY	CTN	BIL	ITEM	QTY	CTN
A	PRAG HB	1	1/6	E	PRAG BASE	4	4/6
B	PRAG FB	1	2/6	F	PRAG PANEL	1	5/6
C	PRAG SR	2	3/6	G	HYRAULIC	2	6/6
D	PRAG DIV	2	3/6				

STEP 1



1  
8X

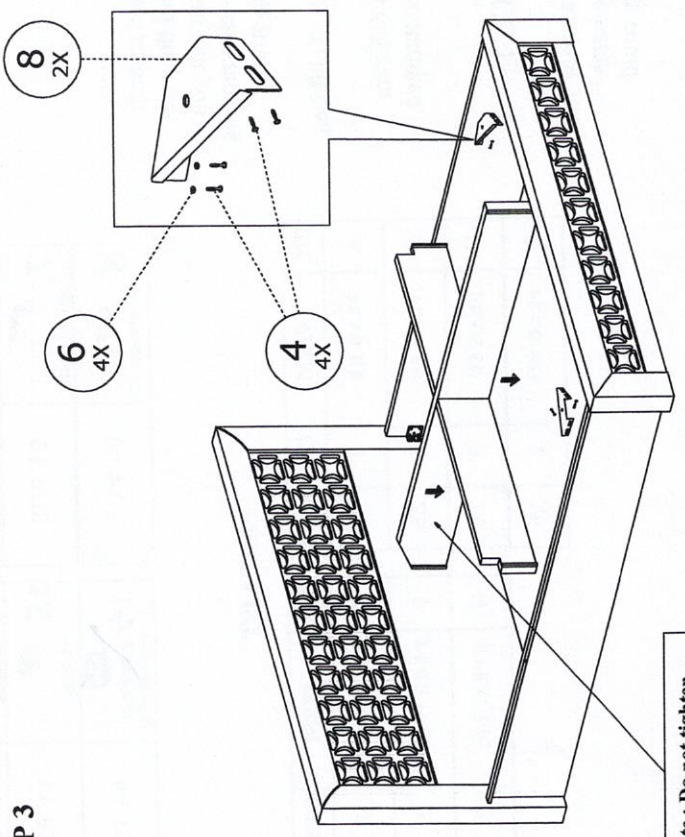
STEP 2



1  
8X

Note : Do not tighten with screws at this step.

STEP 3



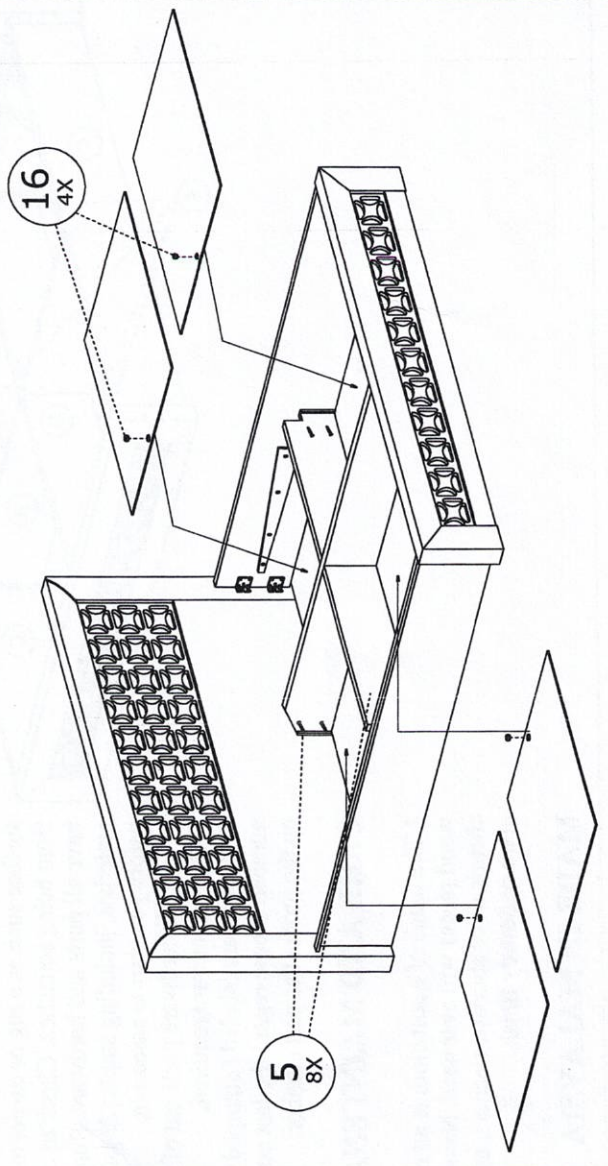
8  
2X

6  
4X

4  
4X

Note : Do not tighten with screws at this step.

STEP 4



16  
4X

5  
8X

# BED PANEL

