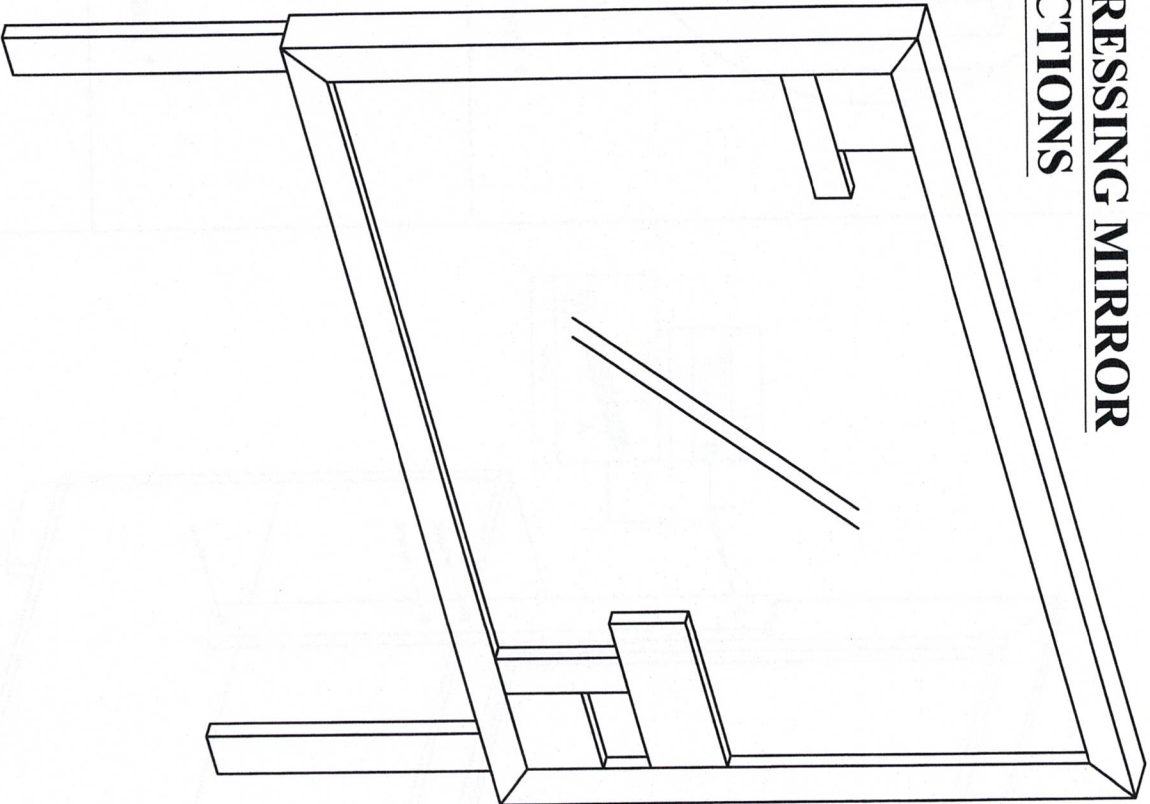




MODEL : PATRAS DRESSING MIRROR

ASSEMBLY INSTRUCTIONS



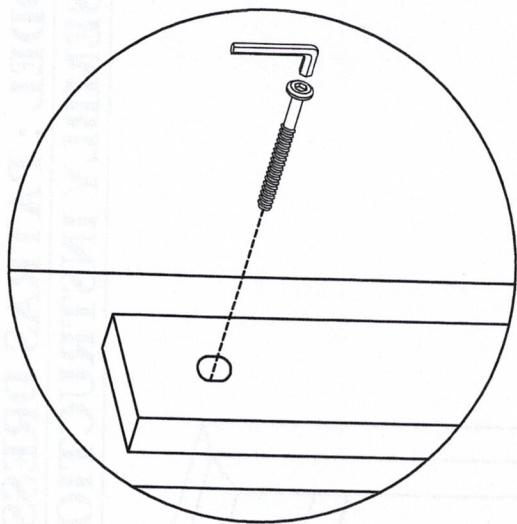
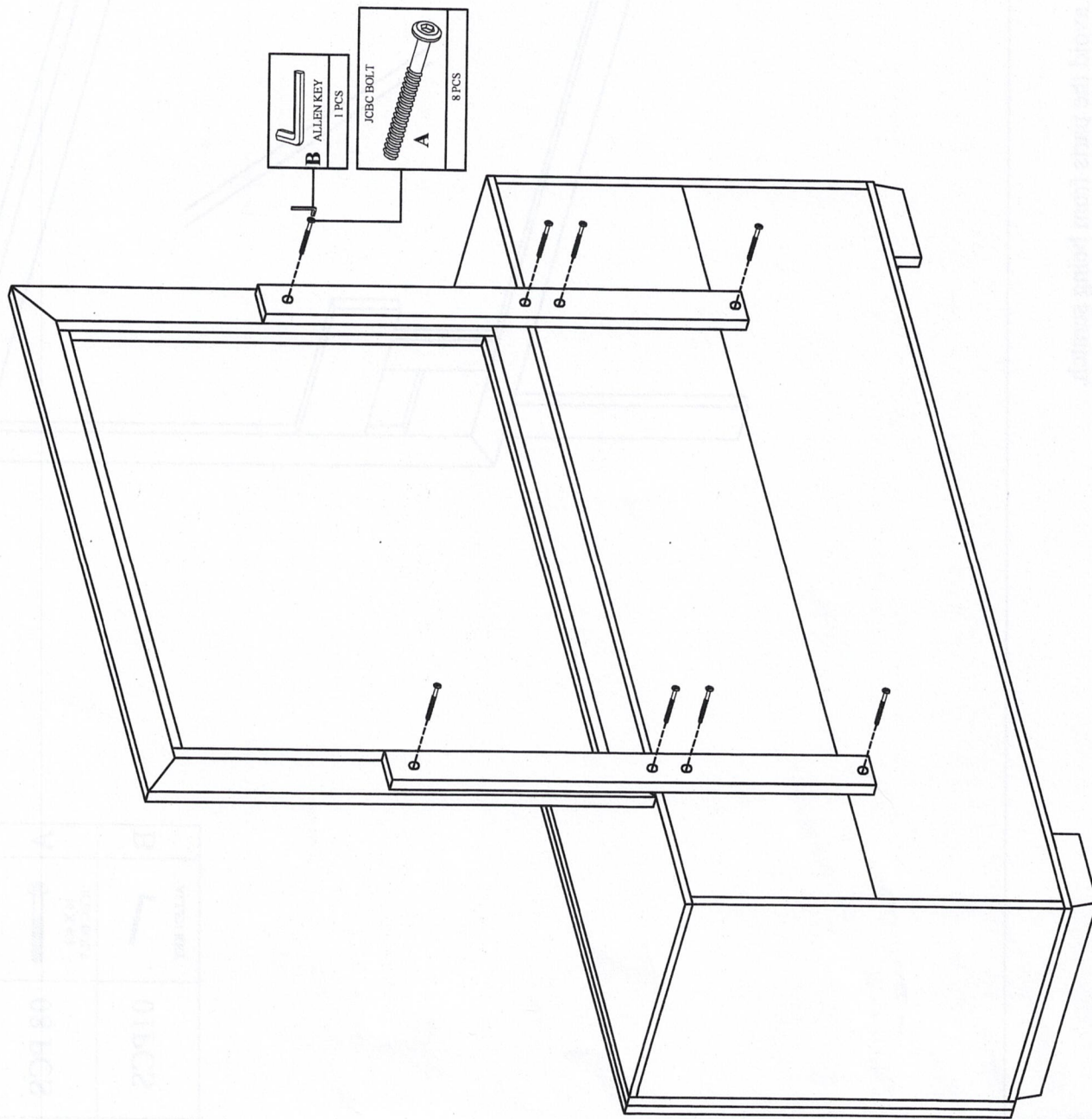
HARDWARE LIST

A	 (6 X 40) JCB/BOLT	08 PCS
B	 ALLEN KEY	01PCS

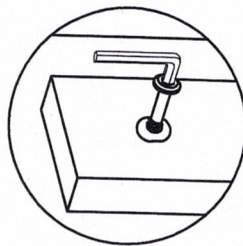
IMPORTANT NOTICE :

- * Place all wooden parts on a clean and smooth surface to avoid the parts from being scratch.
- * Check to ensure that you have all parts and hardwares..
- * Keep all hardware parts out of reach of children.
- * Never use harsh chemicals or abrasive cleaners, as they could destroy the finishing.

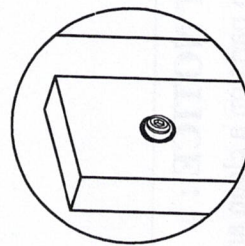
STEP 1



* Position back support and fasten bolt .



* Fasten bolt using allen key.



* Ensure all bolts are fasten securely to prevent movement of mirror.