

ASSEMBLY INSTRUCTIONS

JOSEPH

King Single bed frame

BEFORE YOU START,
HERE IS SOME
HELPFUL ADVICE

We suggest you spend a short time reading through this leaflet and follow the simple step-by-step assembly instructions.

Do not discard any of the packaging until you have checked that you have all the parts and the pack of fittings.

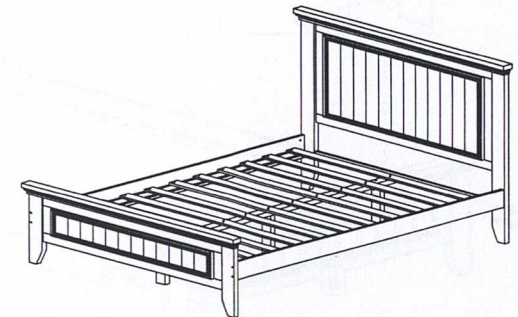
Assemble this product on a flat surface.

Assemble all parts loosely before tightening any bolts.

Discard all extra fittings and keep fittings out of reach of children.







To clean, wipe clean with a damp cloth.

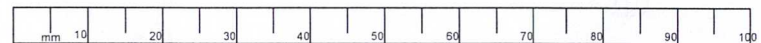
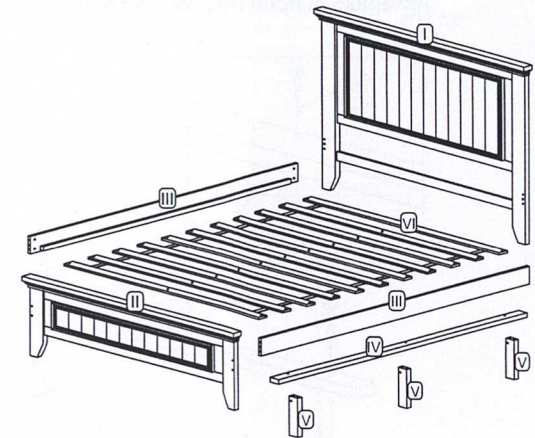
Retain Assembly Instruction for future reference.



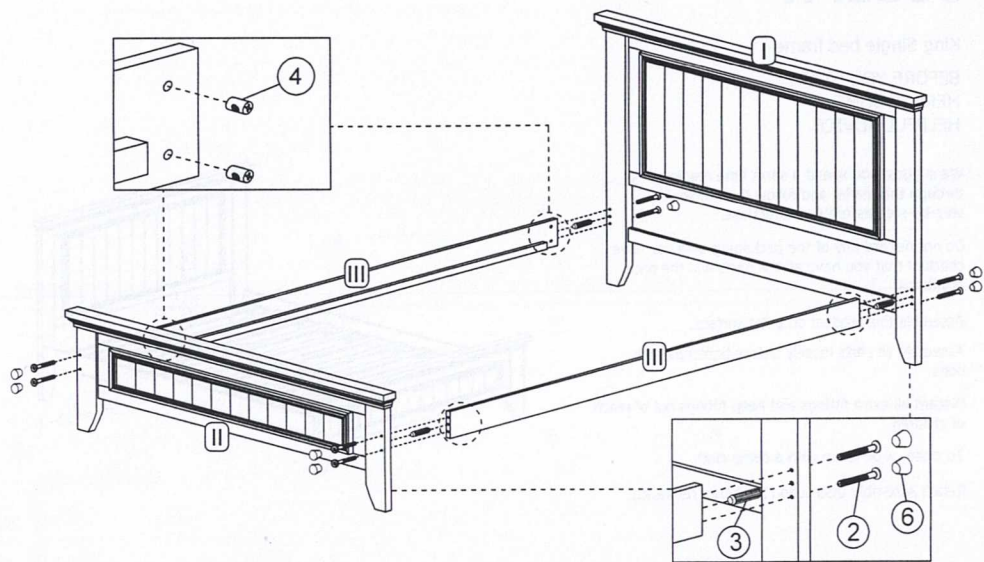
PARTS AND FITTINGS LIST

PARTS LIST		
CODE	DESCRIPTION	QTE.
I	HEADBOARD	1
II	FOOTBOARD	1
III	SIDE RAIL	2
IV	CENTER SUPPORT	1
V	SUPPORT LEG	3
VI	SLATS	1 SET

FITTINGS LIST		
CODE	DESCRIPTION	QTE.
1	 ALLEN KEY M4	1
2	 JCBC M6 x 60mm	11
3	 WOOD DOWEL	7
4	 BARREL NUT 6 x 15mm	11
5	 CSK SCREW M4 x 25mm	42
6	 WOOD BUTTON	8

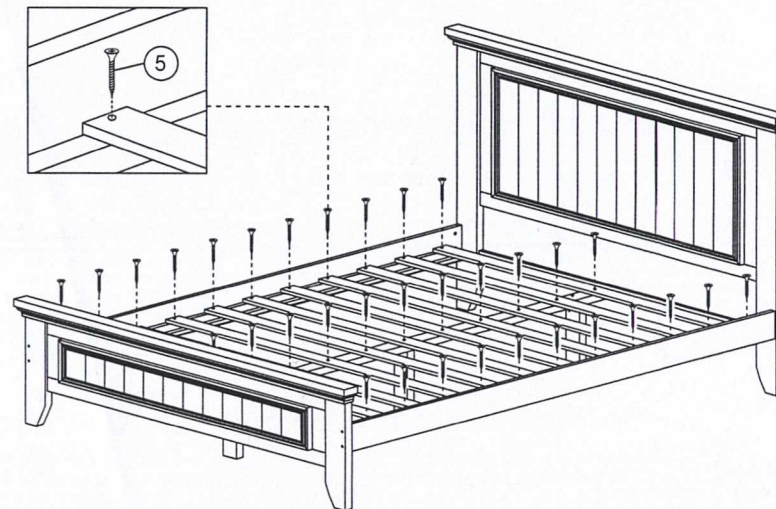


STEP 1 Required Fittings : ② x 8 pcs ③ x 4 pcs ④ x 8 pcs ⑥ x 8 pcs
 Attach Head & Footboard With Side Rails

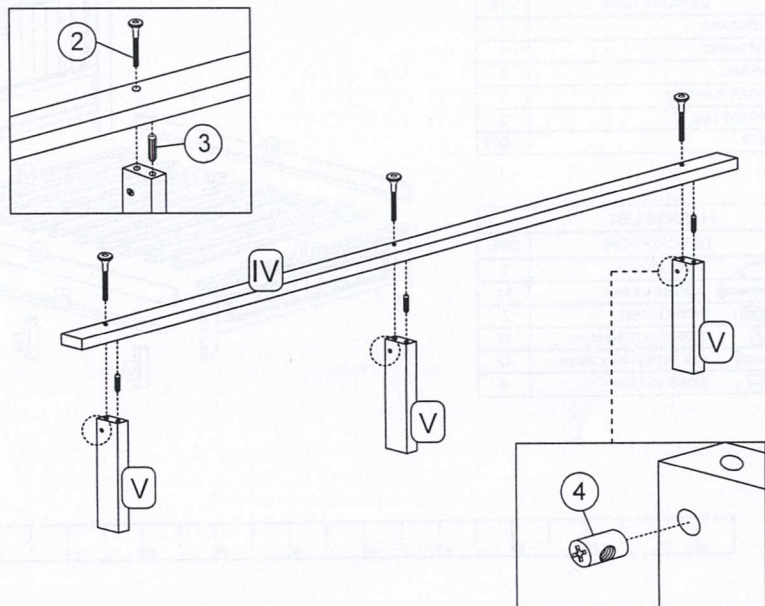


STEP 3 Required Fittings : ⑤ x 36 pcs
 Attach Slats To Bed Frame.

- Useful Tips : 1. Carefully place those slats onto the bed frame to prevent scratches.
 2. Slot in the assembled center support from underneath the bed.
 3. Drill in the first and last piece of slats in order to hold the position before drilling the rest of the slats.



STEP 2 Required Fittings : ② x 3 pcs ③ x 3 pcs ④ x 3 pcs
 Assemble support legs with center support



Completed

