

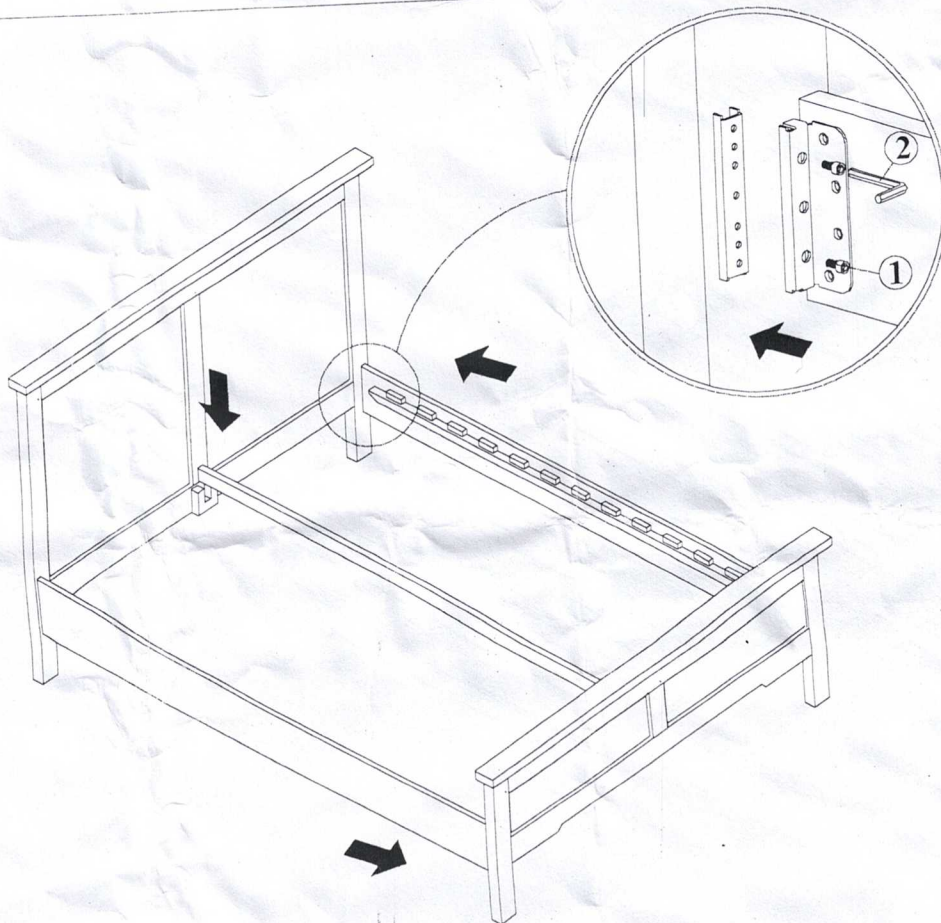
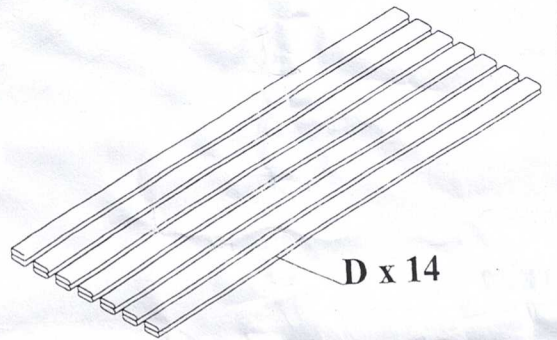
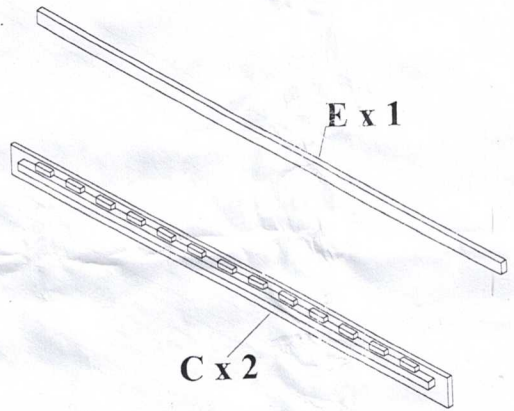
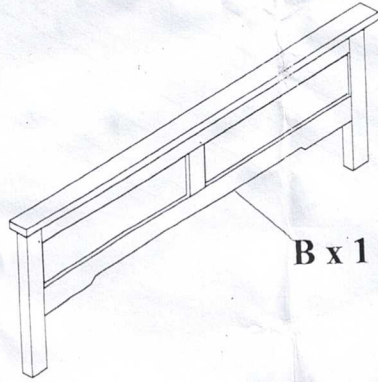
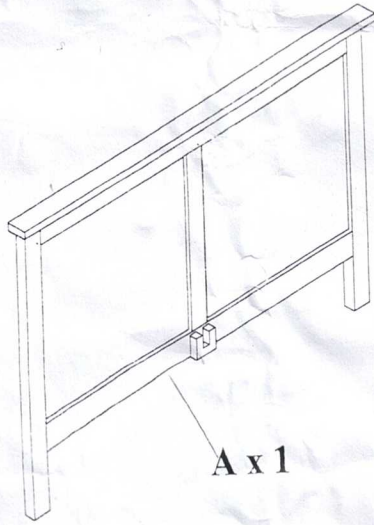
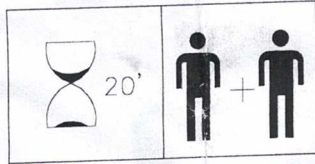


# ASSEMBLY INSTRUCTIONS

## BAL-QUEEN BED/A2Z

### HARDWARE FOR WOODEN

No.	Hardware	Q.ty
①	Bolts M5x10 	08
②	Key K5 	01

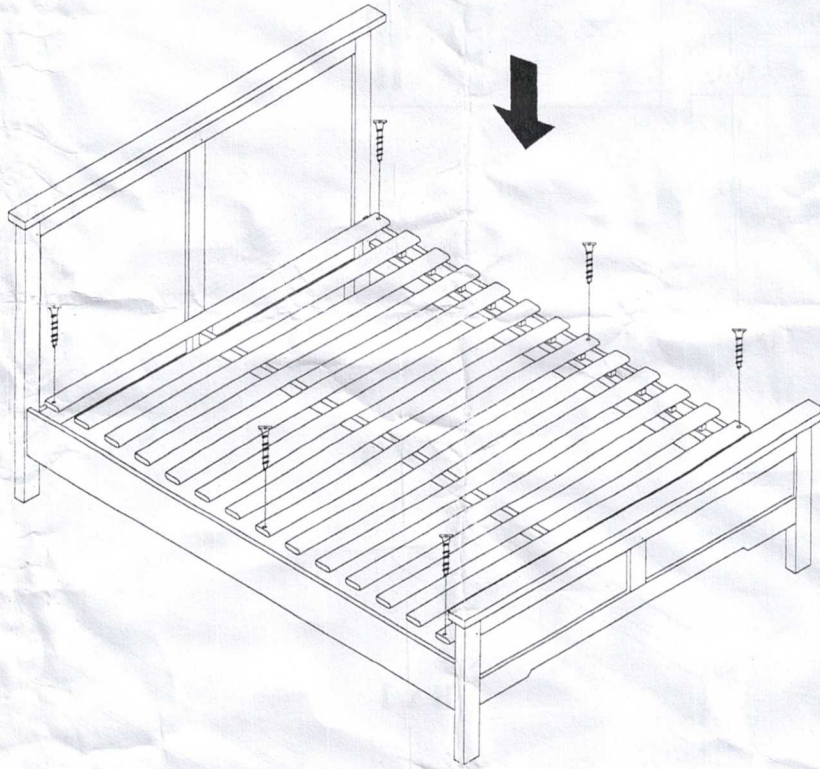


STEP 1



# ASSEMBLY INSTRUCTIONS

## BAL-QUEEN BED/A2Z



### STEP 2

