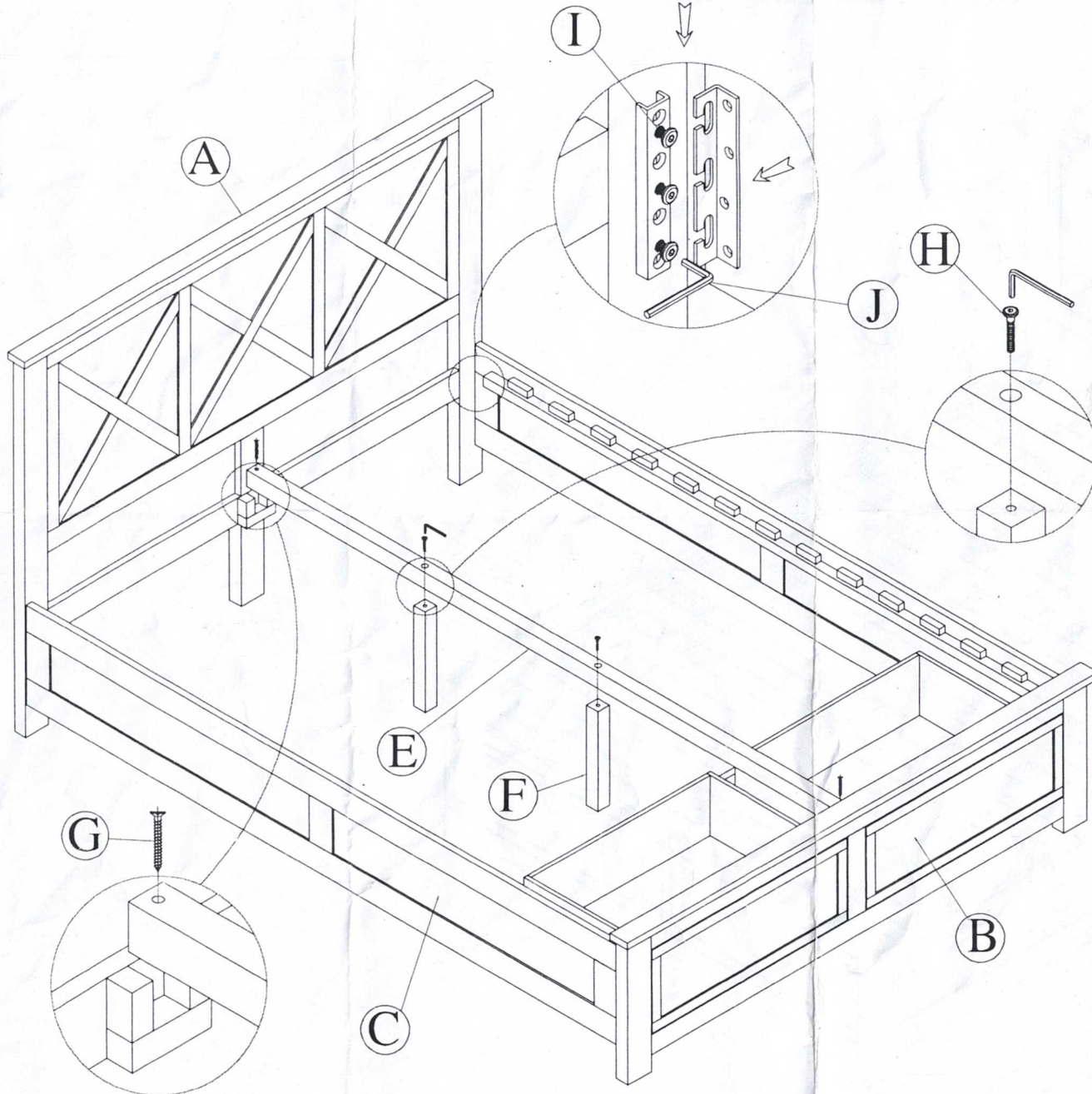
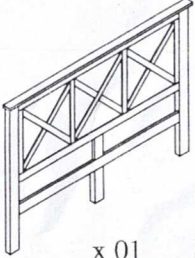
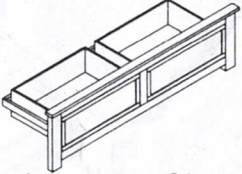




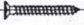





# ASSEMBLY INSTRUCTIONS

## HEY - QB05DRW/A2Z



A:	Headboard	x 01	
B:	Footboard	x 01	
C:	Siderail	x 02	
D:	Slats	x 14	
E:	Support bar	x 1	
F:	Support legs x 2		
G:	Screws M4x30 mm x 30		
H:	Bolts M6x40	x 2	
I:	Bolts M8x15	x 12	
J:	Allen key M4	x 01	



HEY - QB05DRW/A2Z

