

# ASSEMBLY INSTRUCTION MODEL : 459DB/QB

Read this instruction carefully. Remove all wrapping material, staples and straps from the carton. See hardware and furniture part list for guidance. Be sure you have all wooden furniture parts on a clean and flat soft surface, such as a carpet or rug, to prevent from being scratched. Follow the figure to start assembling.

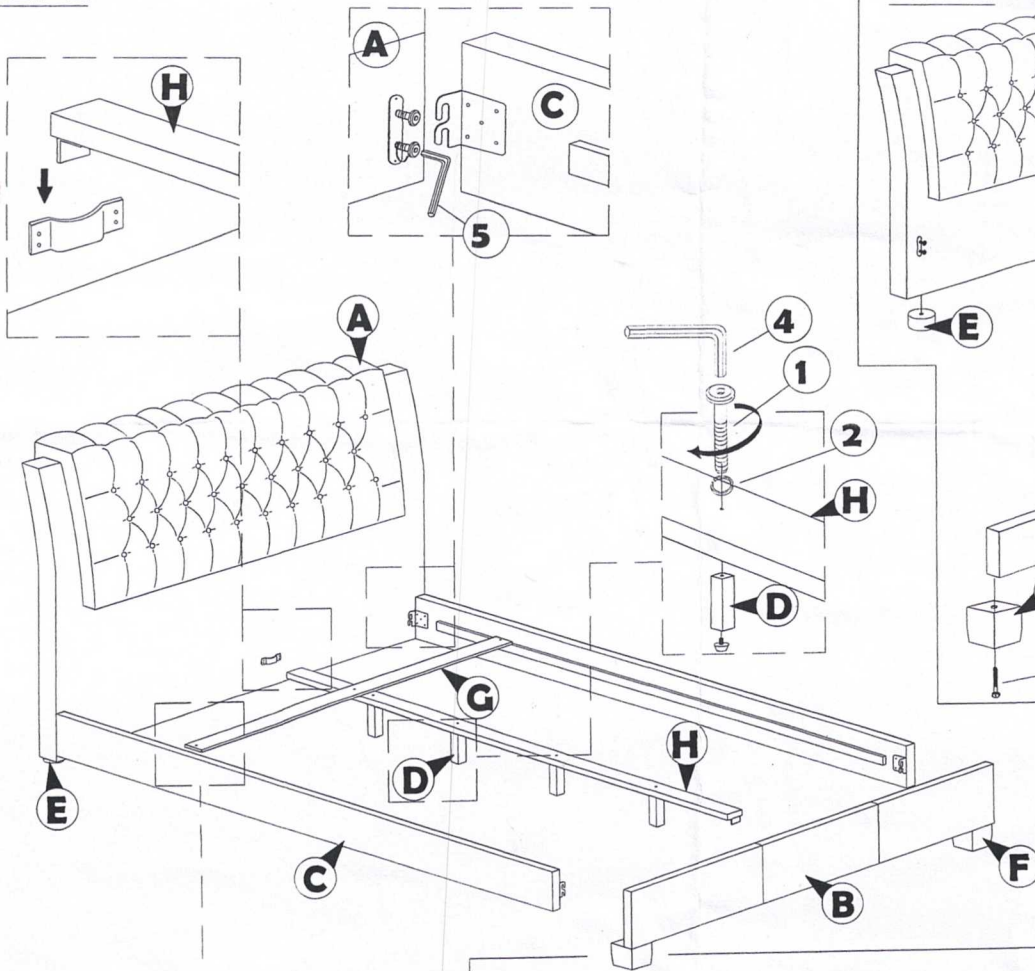
## CAUTION :

- Do not FULLY - TIGHTEN the nut or screw until all is ready to assemble.
- Do not OVER - TIGHTEN the nut or screw to avoid causing damages to the thread.
- Keep all hardware part out reach of children.

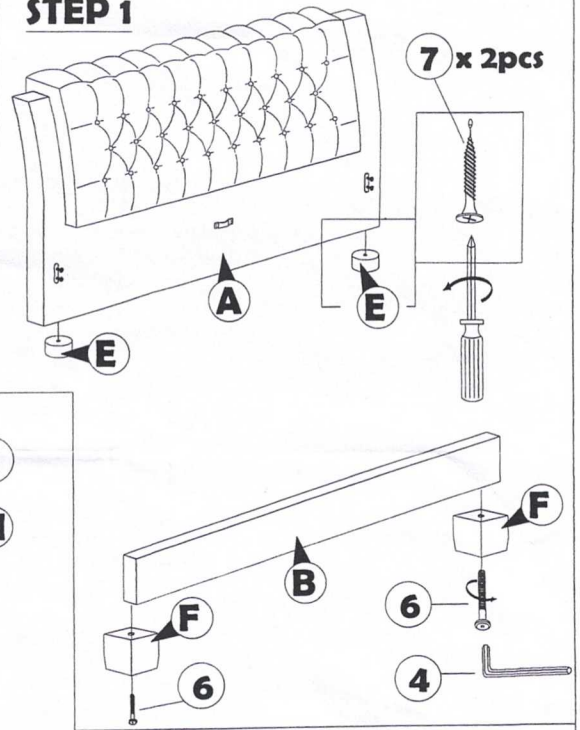
NO	PART LIST	QTY
A	HEAD BOARD	1 PC
B	FOOT BOARD	1 PC
C	SIDE RAIL	2 PCS
D	CENTER LEG SUPPORT	4 PCS
E	HEAD BOARD LEG	2 PCS
F	FOOT BOARD LEG	2 PCS
G	FLAT SLAT	4 PCS
H	CENTER SUPPORT RAIL	1 PC

NO	DESCRIPTION	QTY
1	JCBC SCREW M6 x 45MM	4 PCS
2	SPRING WASHER M6	4 PCS
3	CSK SCREW M4 x 30MM	12 PCS
4	M4 ALLEN KEY	1 PC
5	M5 ALLEN KEY	1 PC
6	JCBC SCREW M6 x 70MM	2 PCS
7	CSK SCREW M4 x 45MM	2 PCS

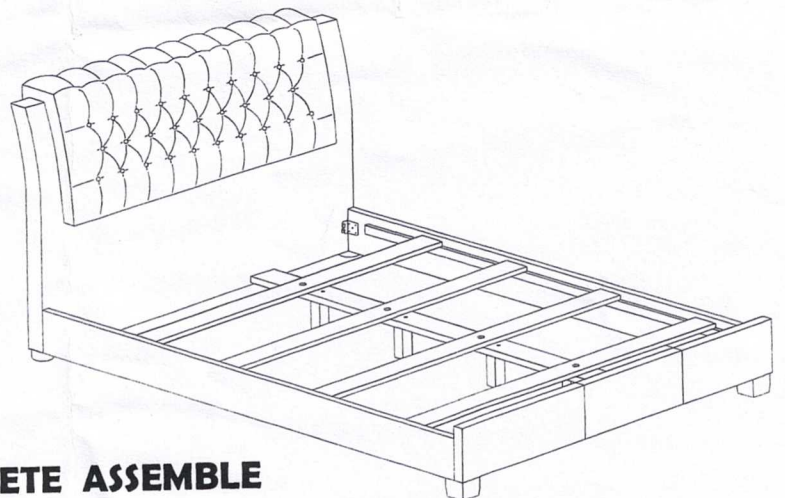
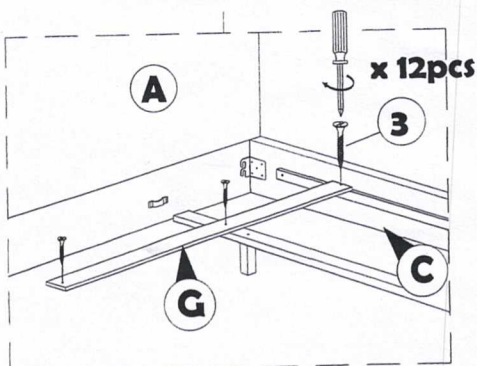
## STEP 2



## STEP 1



*Flair*



**COMPLETE ASSEMBLE**



170  
171  
172  
173  
174  
175  
176  
177  
178  
179  
180

ROYAL...  
HOTEL...  
HOTEL...  
HOTEL...