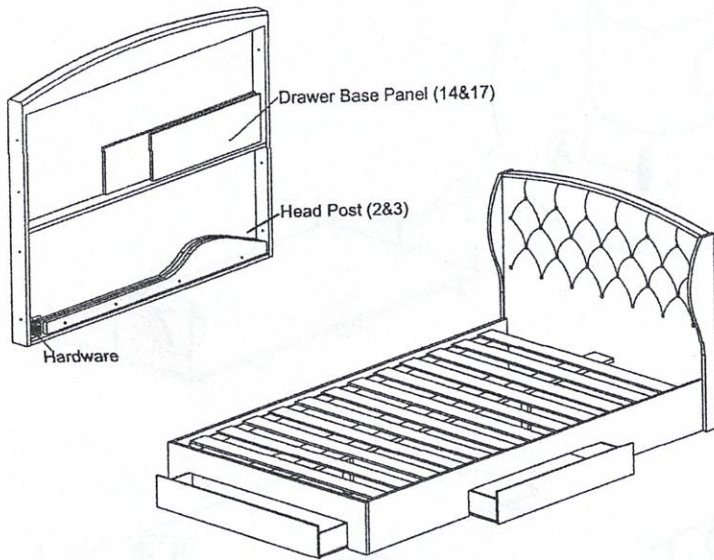


# Assembly Instruction

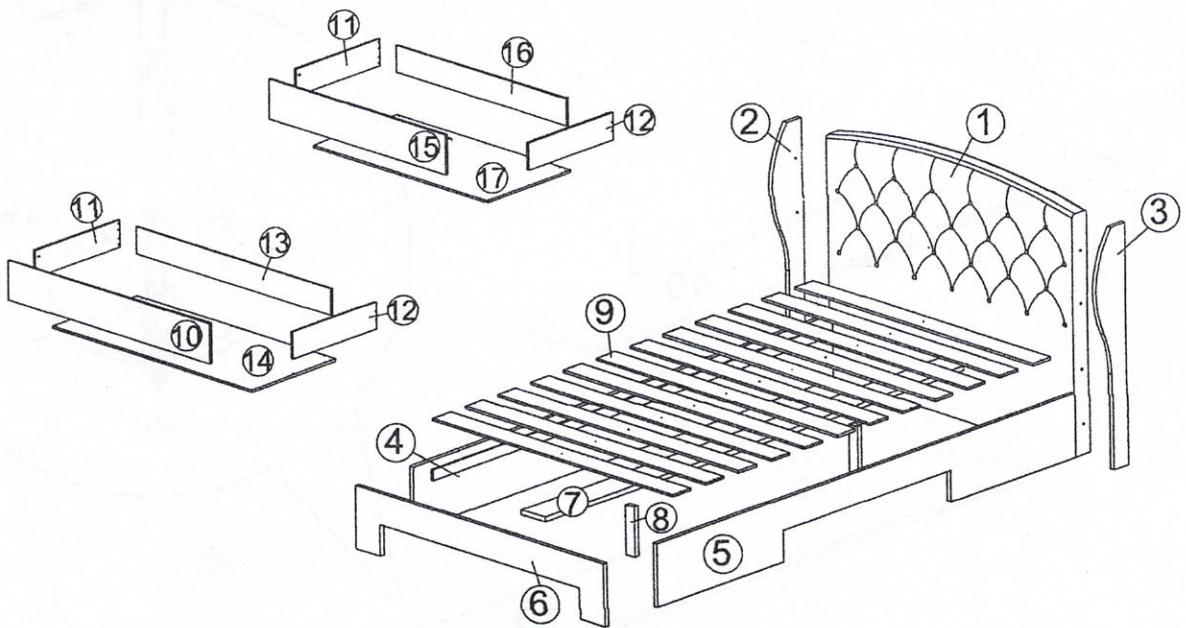
Model : HM 1017-LN-GR-FB/QB



Hardware List			
No.	SHAPE	DESCRIPTION	Qty.
A		Dowel 8x25	43Pcs
B		M4x25mm Screw	36Pcs
C		M4x45mm Screw	24Pcs
D		M3.5x16mm Screw	32Pcs
E		JCBC M6x35mm Screw	8Pcs
F		Washer 6x13	8Pcs
G		L - Key	1Pcs
H		15MM Minifix Myfix	13Pcs
I		Caster	8Pcs

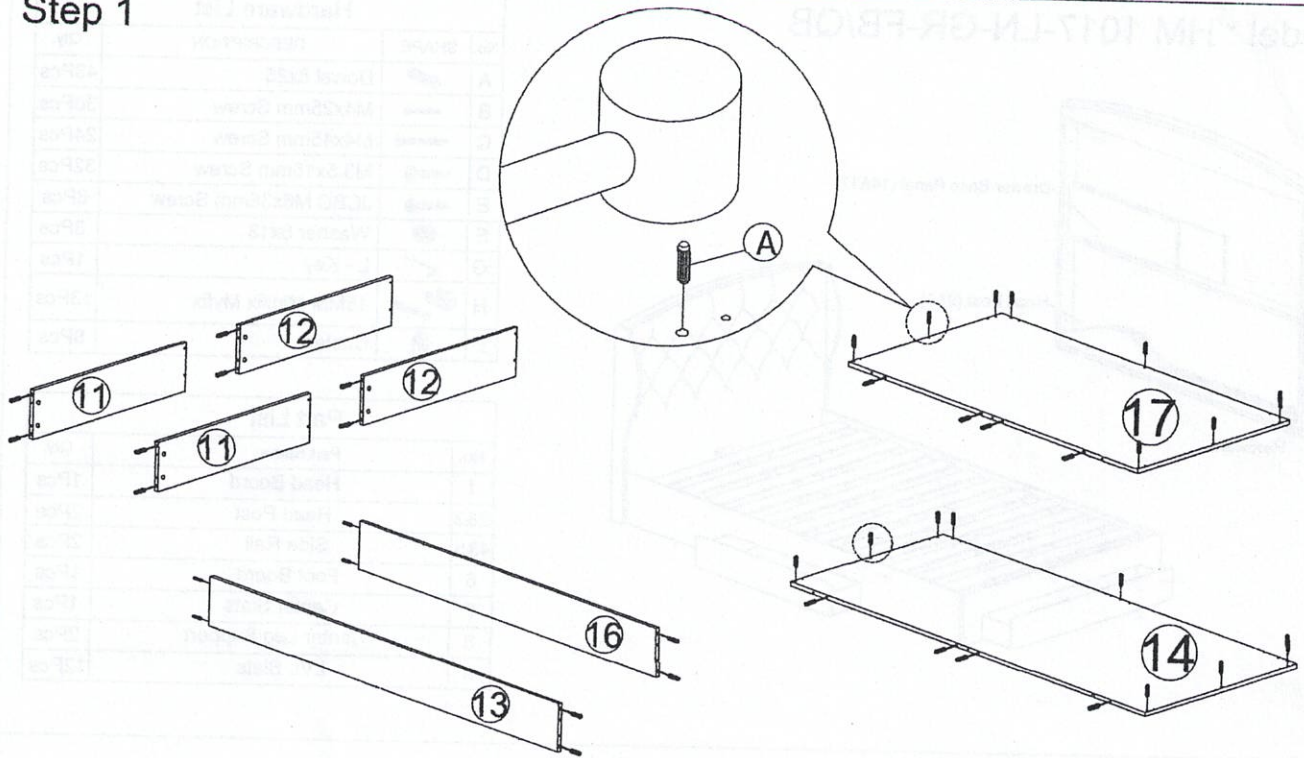
Part List		
No.	Part Name	Qty.
1	Head Board	1Pcs
2&3	Head Post	2Pcs
4&5	Side Rail	2Pcs
6	Foot Board	1Pcs
7	Center Slats	1Pcs
8	Center Leg Support	2Pcs
9	LVL Slats	12Pcs

## Part List

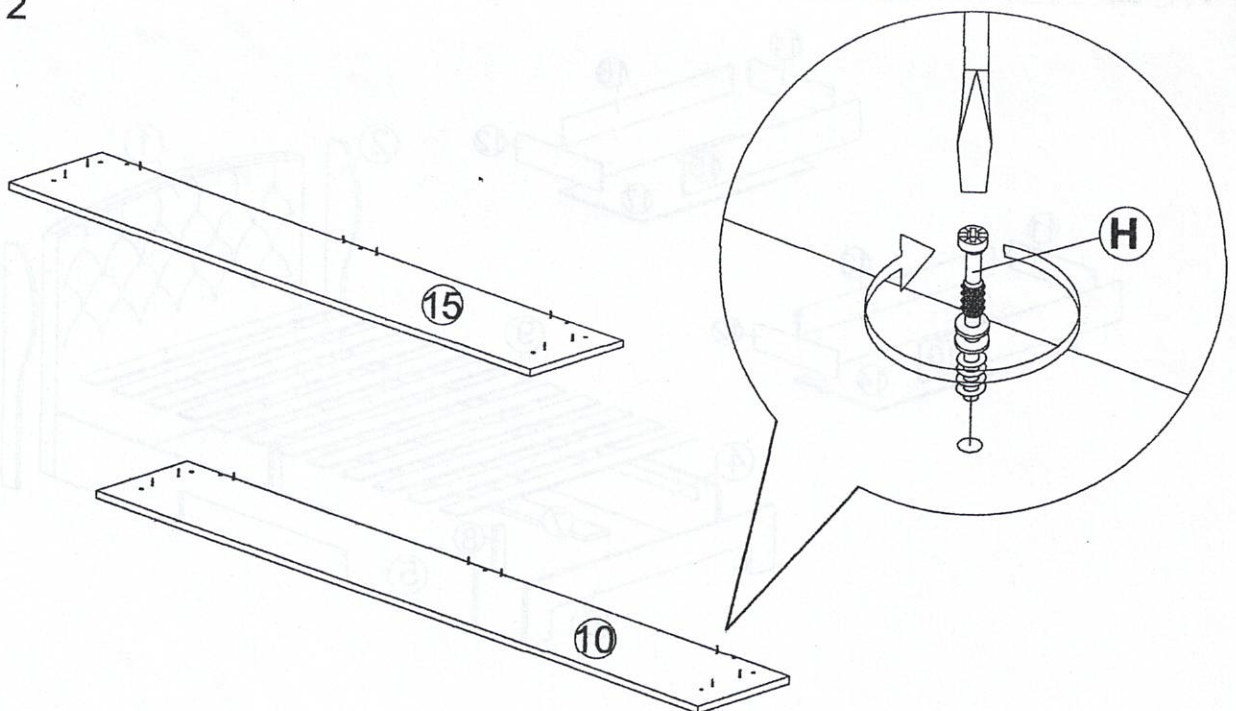


# Assembly Instruction

## Step 1

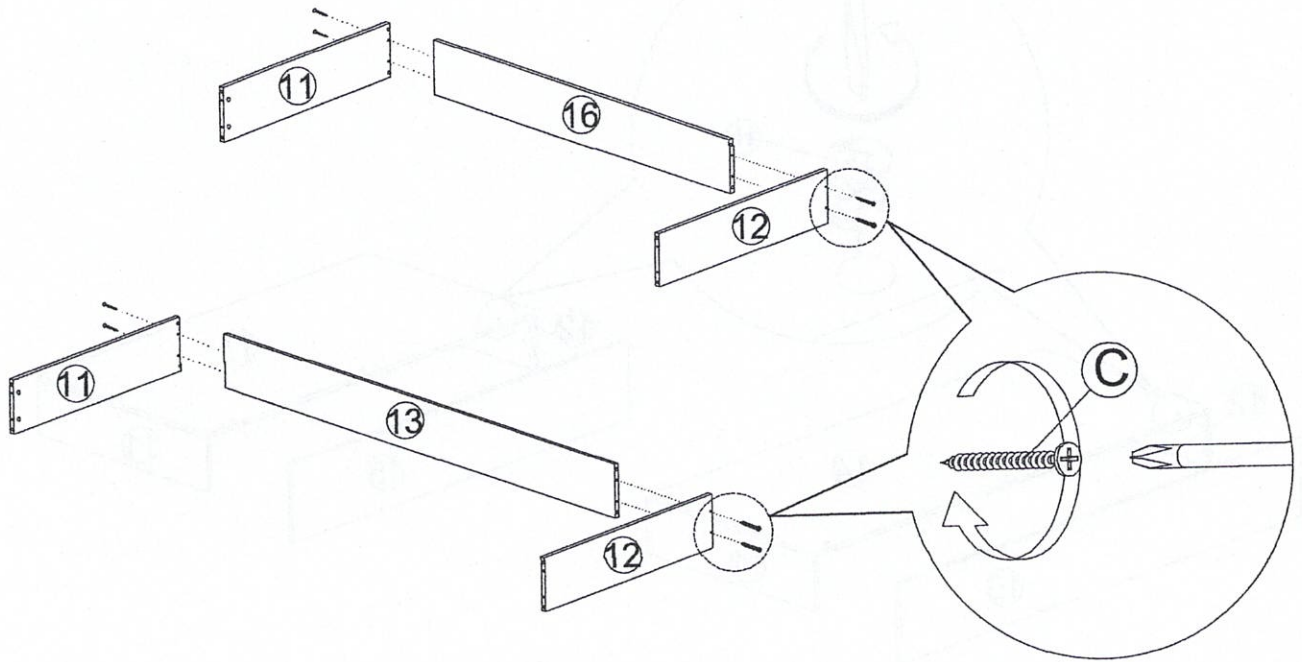


## Step 2

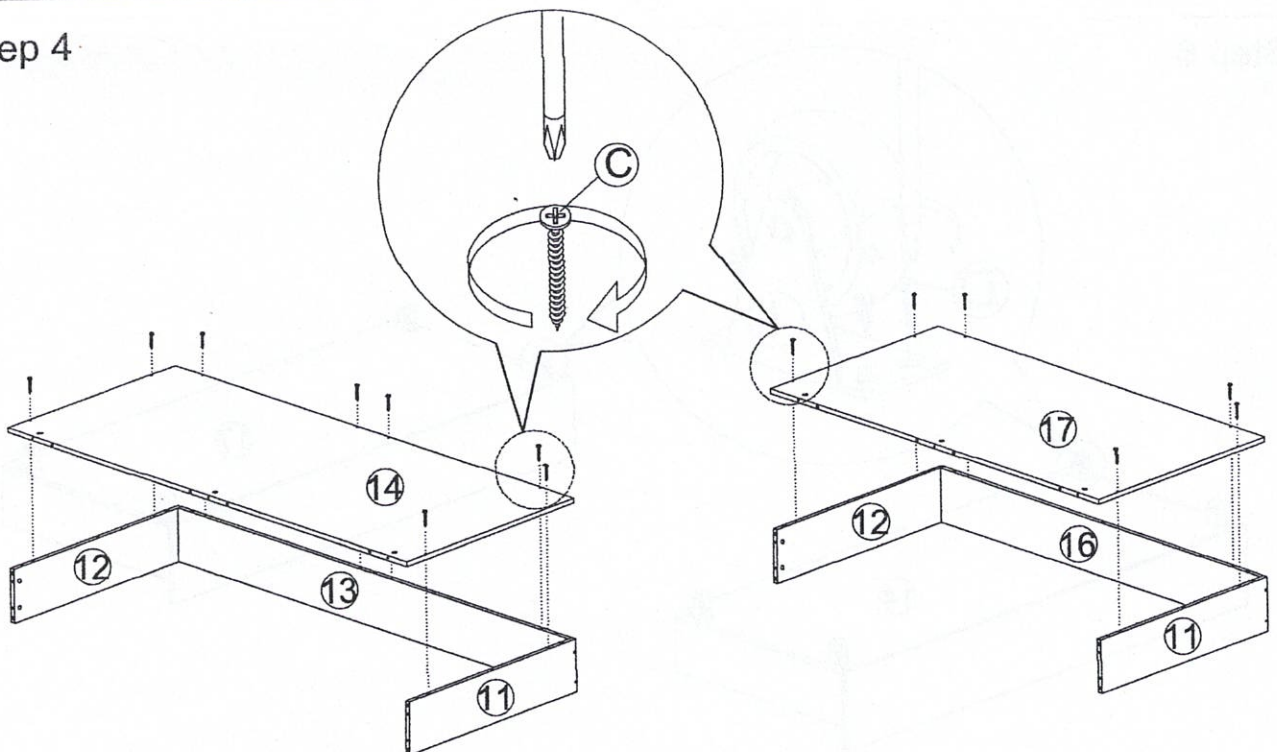


# Assembly Instruction

## Step 3

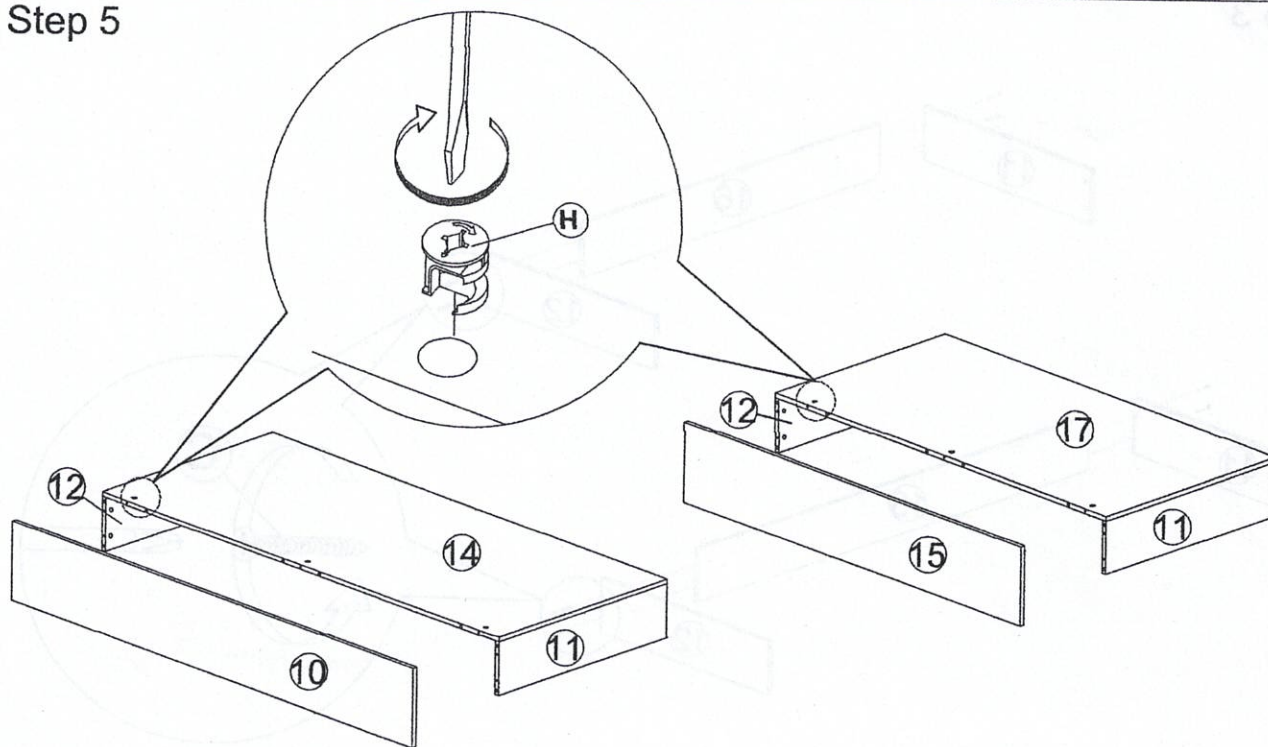


## Step 4

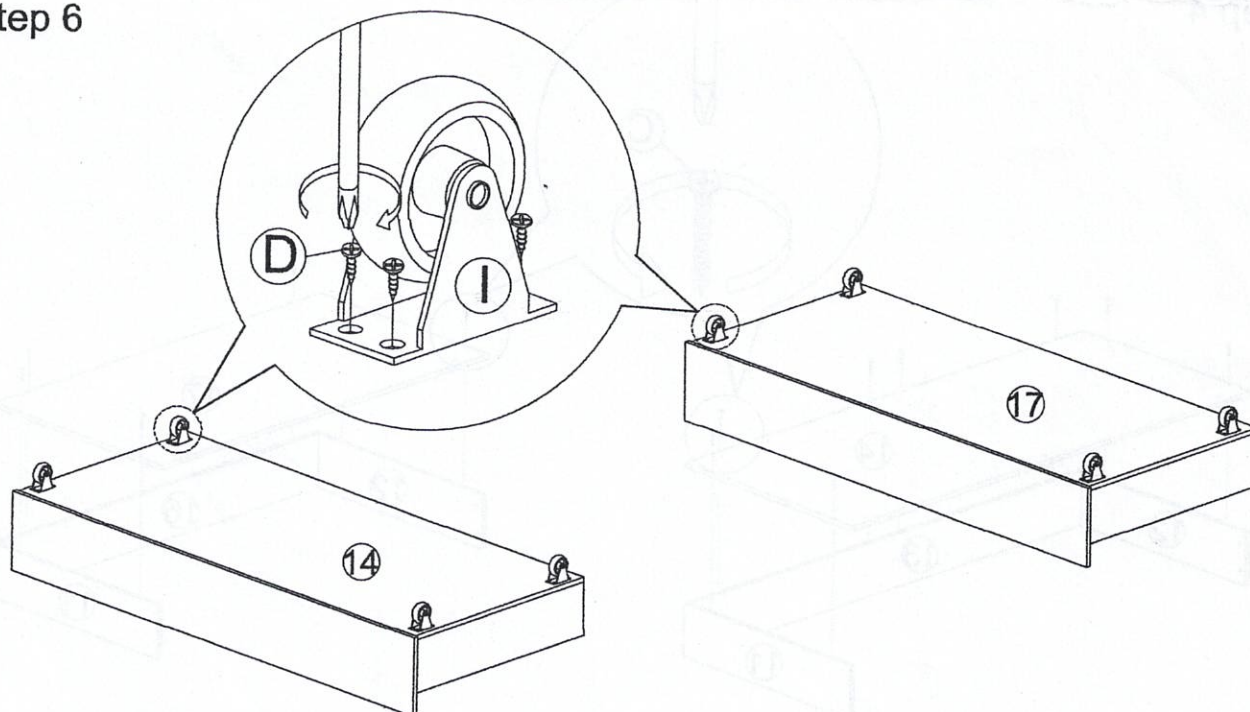


# Assembly Instruction

## Step 5

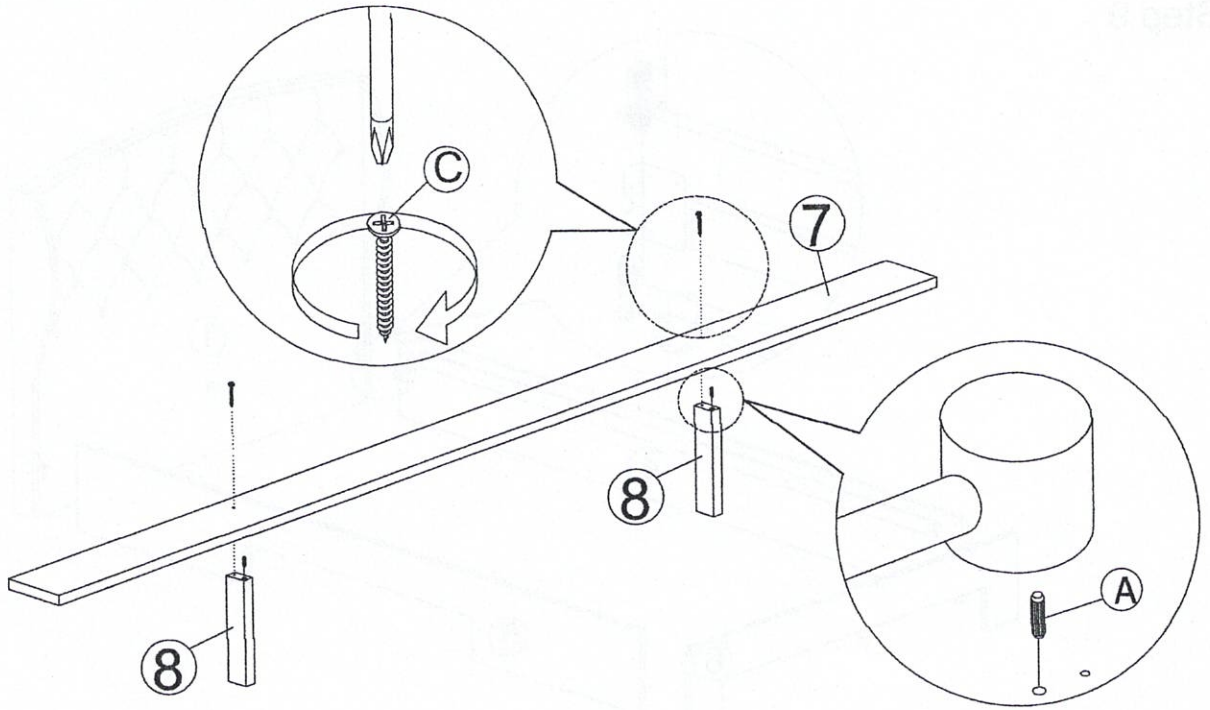


## Step 6

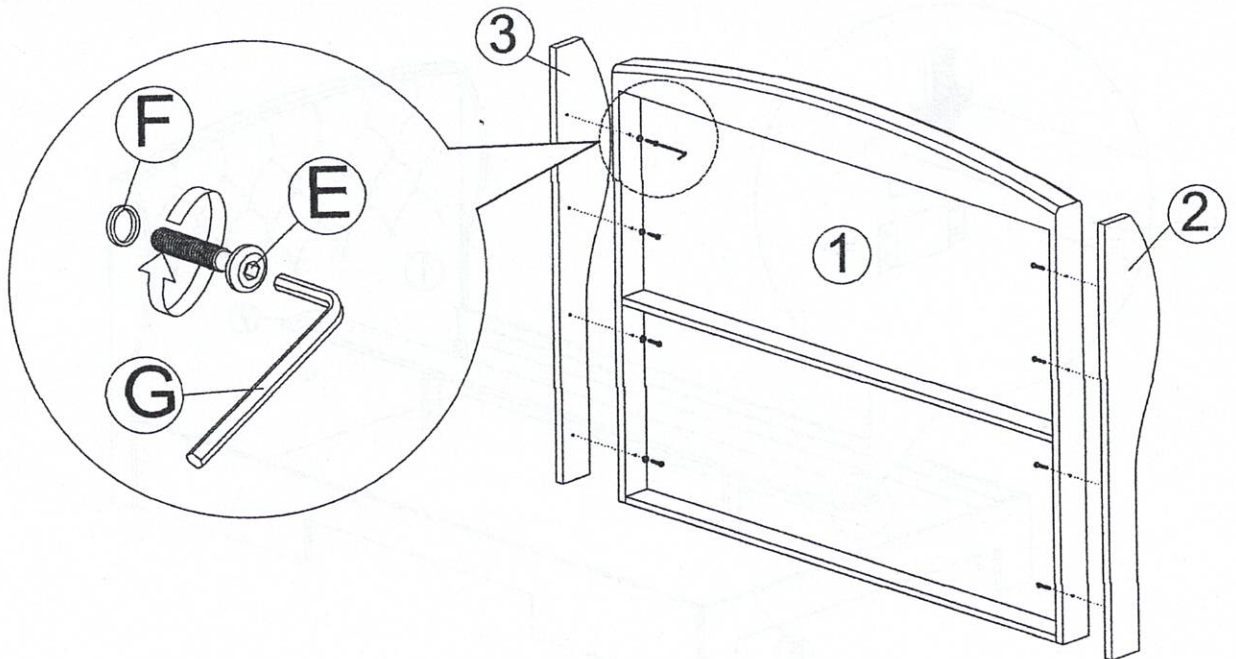


# Assembly Instruction

Step 7

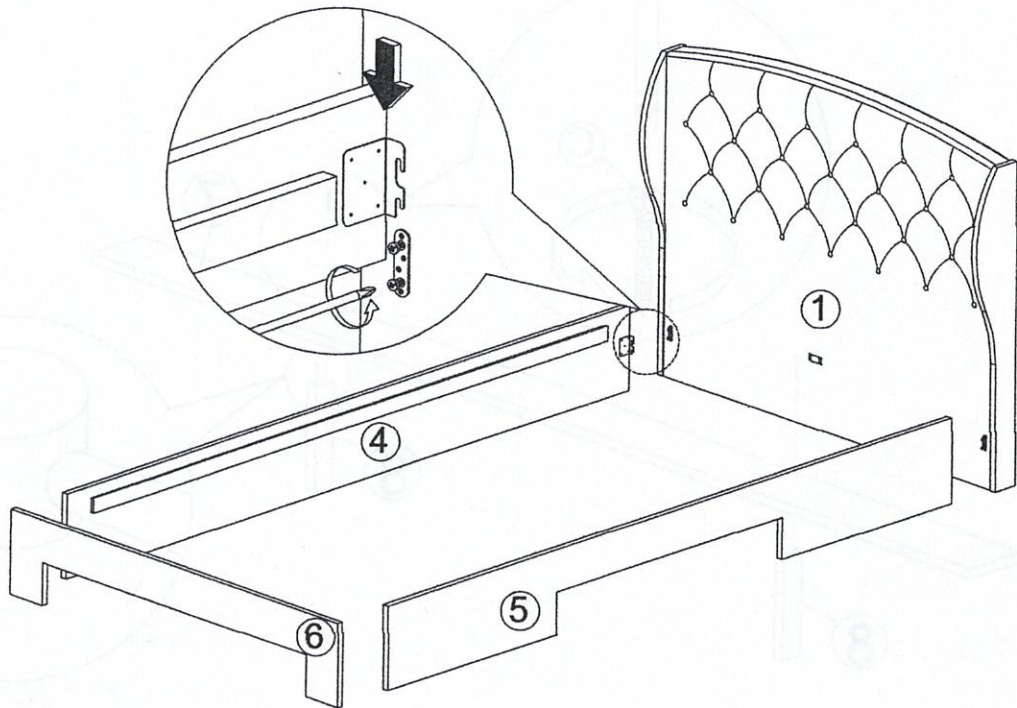


Step 8

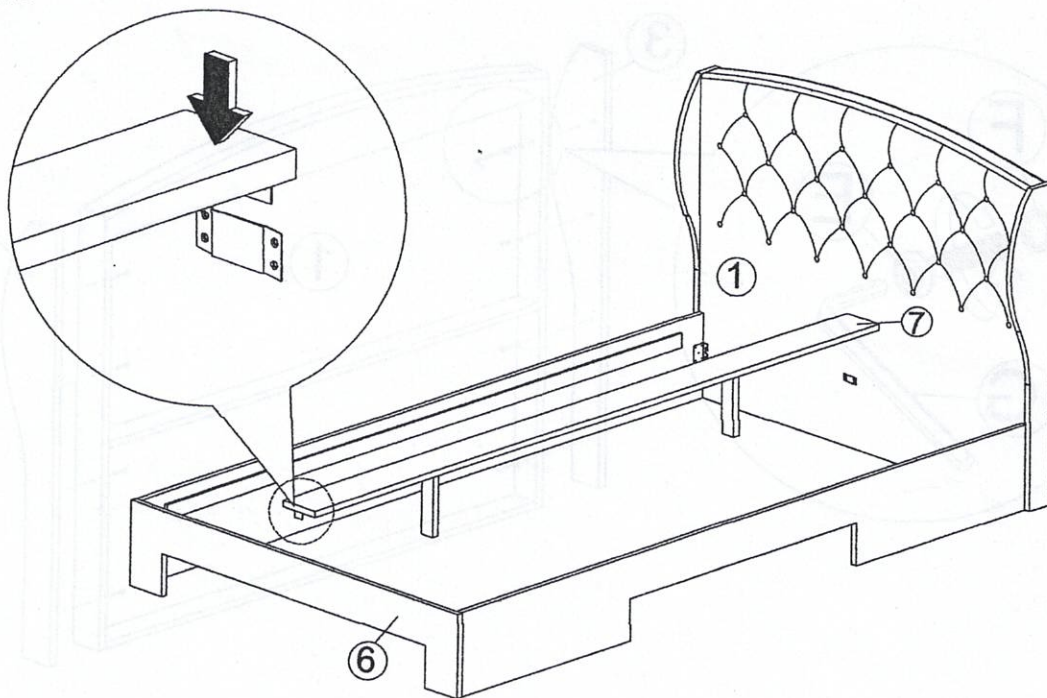


# Assembly Instruction

## Step 9

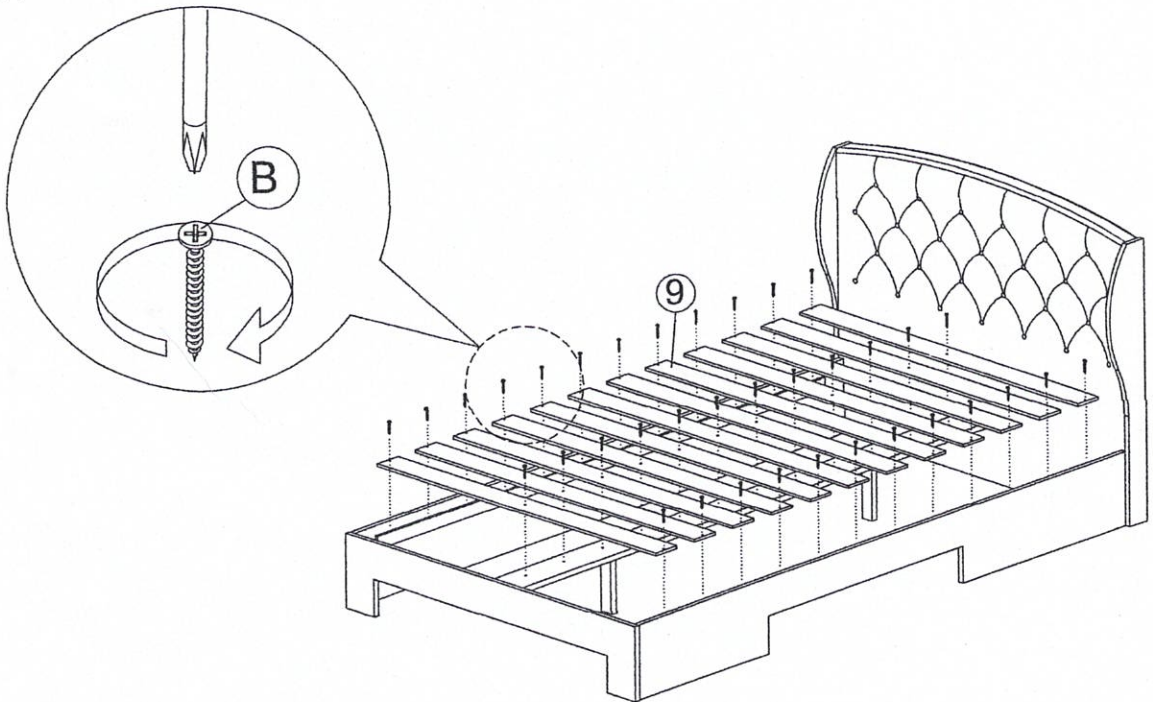


## Step 10



# Assembly Instruction

Step 11



Step 12

