

ASSEMBLY INSTRUCTION

fabblas

MODEL : 475 DB

(Double Bed)

Read this instruction carefully. Remove all wrapping material, staples and straps from the carton. See hardware and furniture part list for guidance. Be sure you have all wooden furniture parts on a clean and flat soft surface, such as a carpet or rug, to prevent from being scratched. Follow the figure to start assembling.

CAUTION :

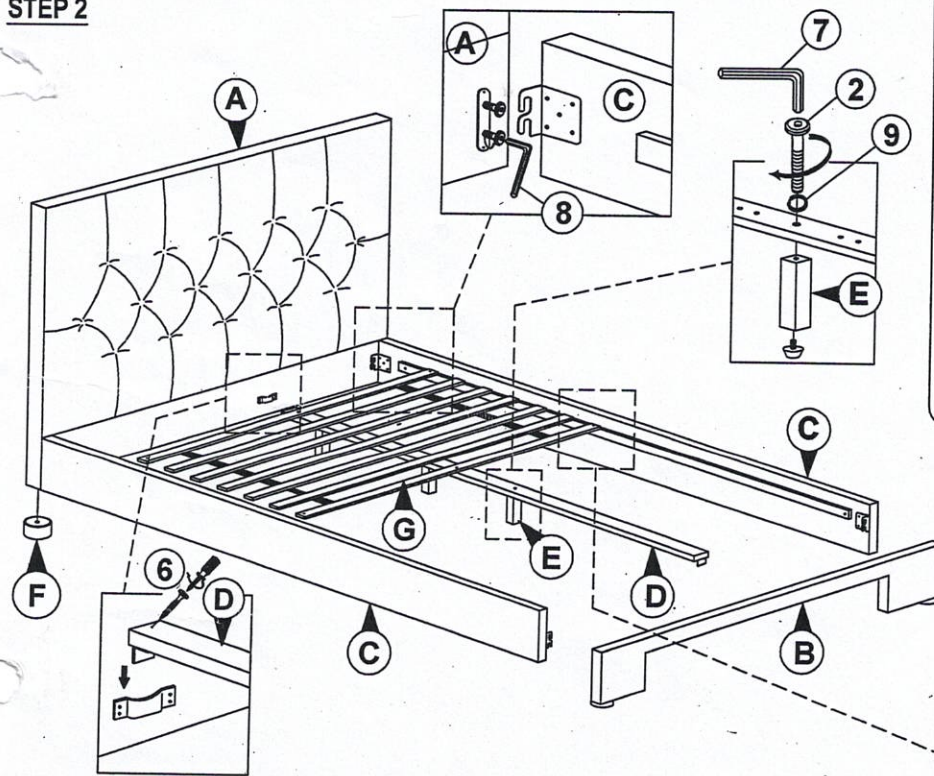
1. Do not FULLY - TIGHTEN the nut or screw until all is ready to assemble.
2. Do not OVER - TIGHTEN the nut or screw to avoid causing damages to the thread.
3. Keep all hardware part out reach of children.

NO	PART LIST	QTY
A	HEAD BOARD	1 PC
B	FOOT BOARD	1 PC
C	SIDE RAIL	2 PCS
D	CENTER RAIL SUPPORT	1 PC
E	CENTER LEG SUPPORT	3 PCS
F	PVC LEG	4 PCS
G	FLAT SLAT	2 SET
H	DRAWER HEAD BOARD	1 PC
I	DRAWER FRONT PANEL	1 PC
J	DRAWER SIDE PANEL (L & R)	2 PCS
K	DRAWER BACK PANEL	1 PC
L	DRAWER BOTTOM PANEL	1 PC

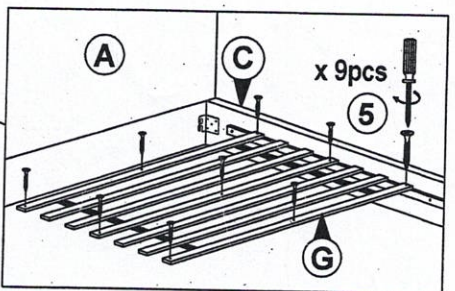
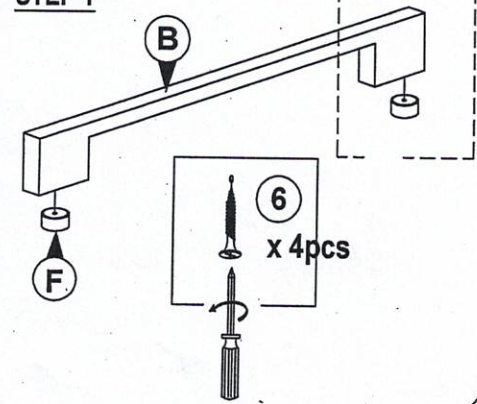
NO	DESCRIPTION	QTY
1	JCBC SCREW M6 x 30MM	1 PC
2	JCBC SCREW M6 x 45MM	3 PCS
3	CSK SCREW M3.5 x 25MM	4 PCS
4	CSK SCREW M3.5 x 38MM	12 PCS
5	CSK SCREW M4 x 30MM	18 PCS
6	CSK SCREW M4 x 45MM	6 PCS
7	M4 ALLEN KEY	1 PC
8	M5 ALLEN KEY	1 PC
9	SPRING WASHER	3 PCS
10	CSK SCREW M3.5 x 16MM	12 PCS

M	ROLLER BASE SUPPORT	2 PCS
N	ROLLER	6 PCS

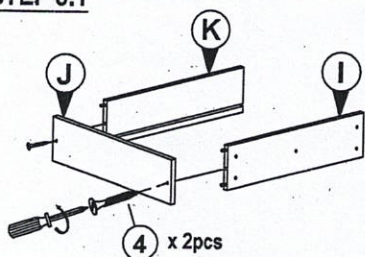
STEP 2



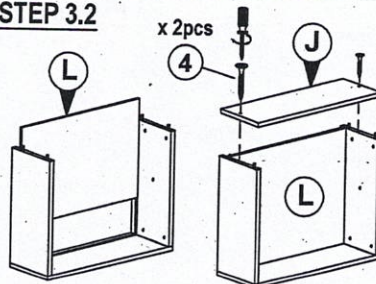
STEP 1



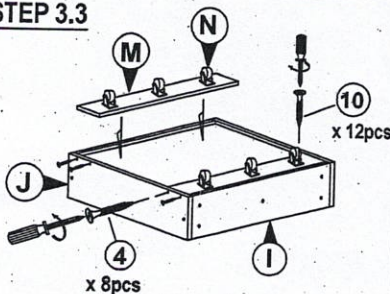
STEP 3.1



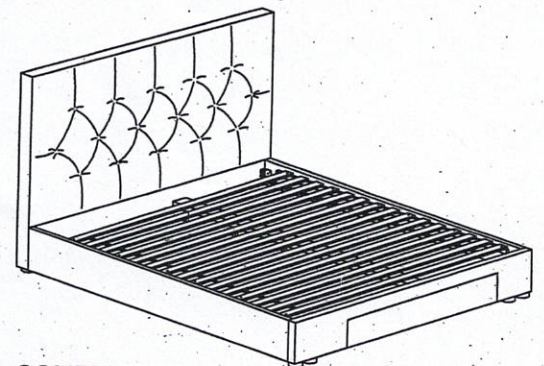
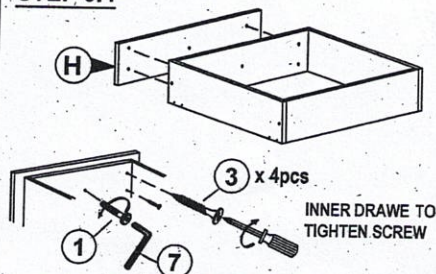
STEP 3.2



STEP 3.3



STEP 3.4



COMPLETE ASSEMBLE

