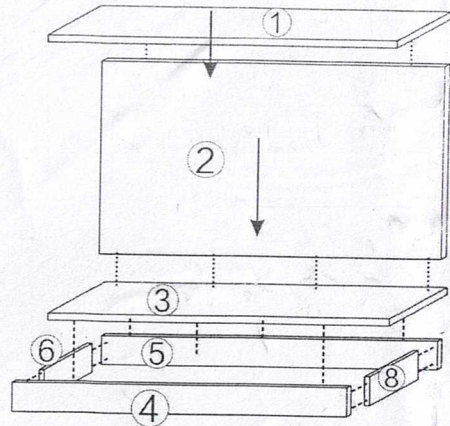


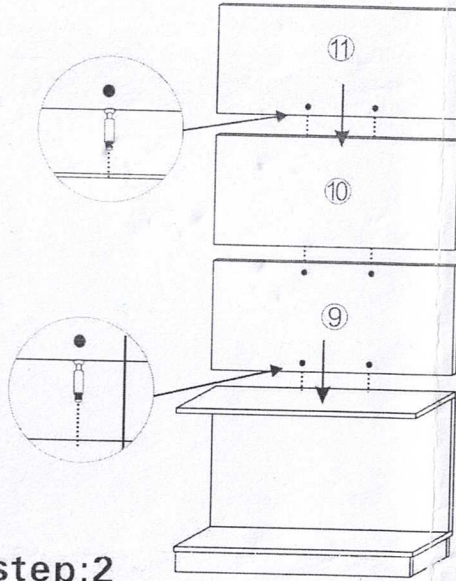
# ASSEMBLY INSTRUCTION

MODEL NO: 90115-DPBK-GD

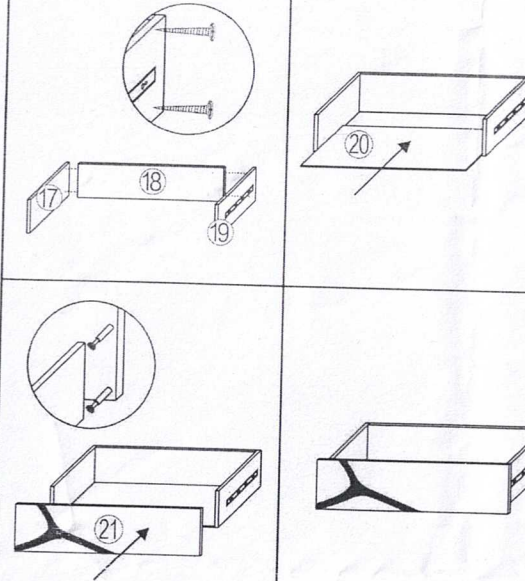
## FITTINGS



step:1

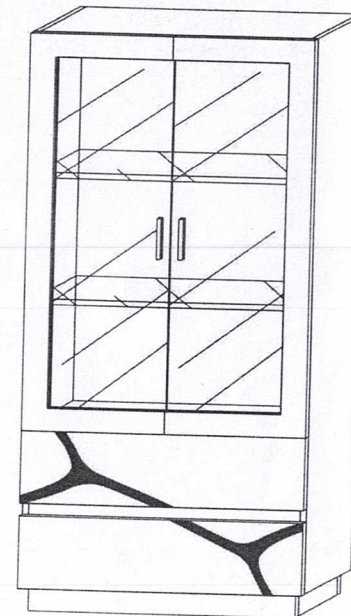
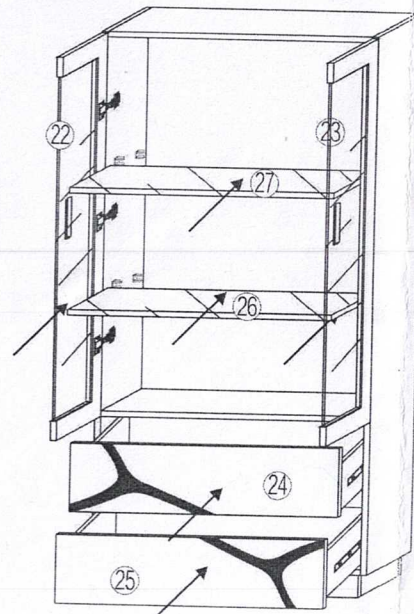
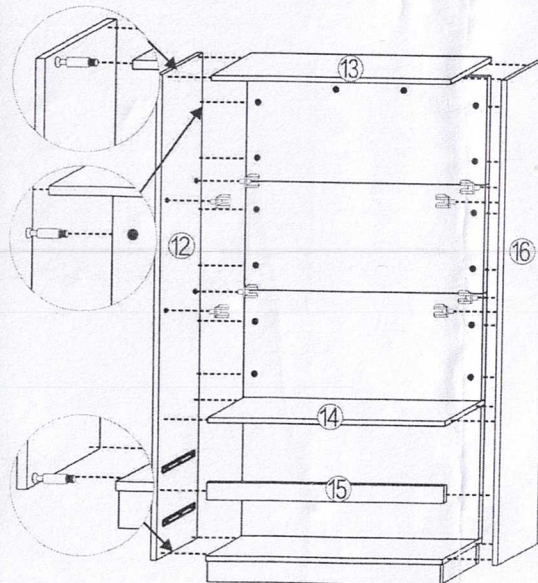


step:2



step:3

step:4



NO	PATTERN	SIZE	QTY
A			64
B		4*45	8
C		4*14	28
D			6
E			6
F			4
G			6
H			8
I			8
J			3

