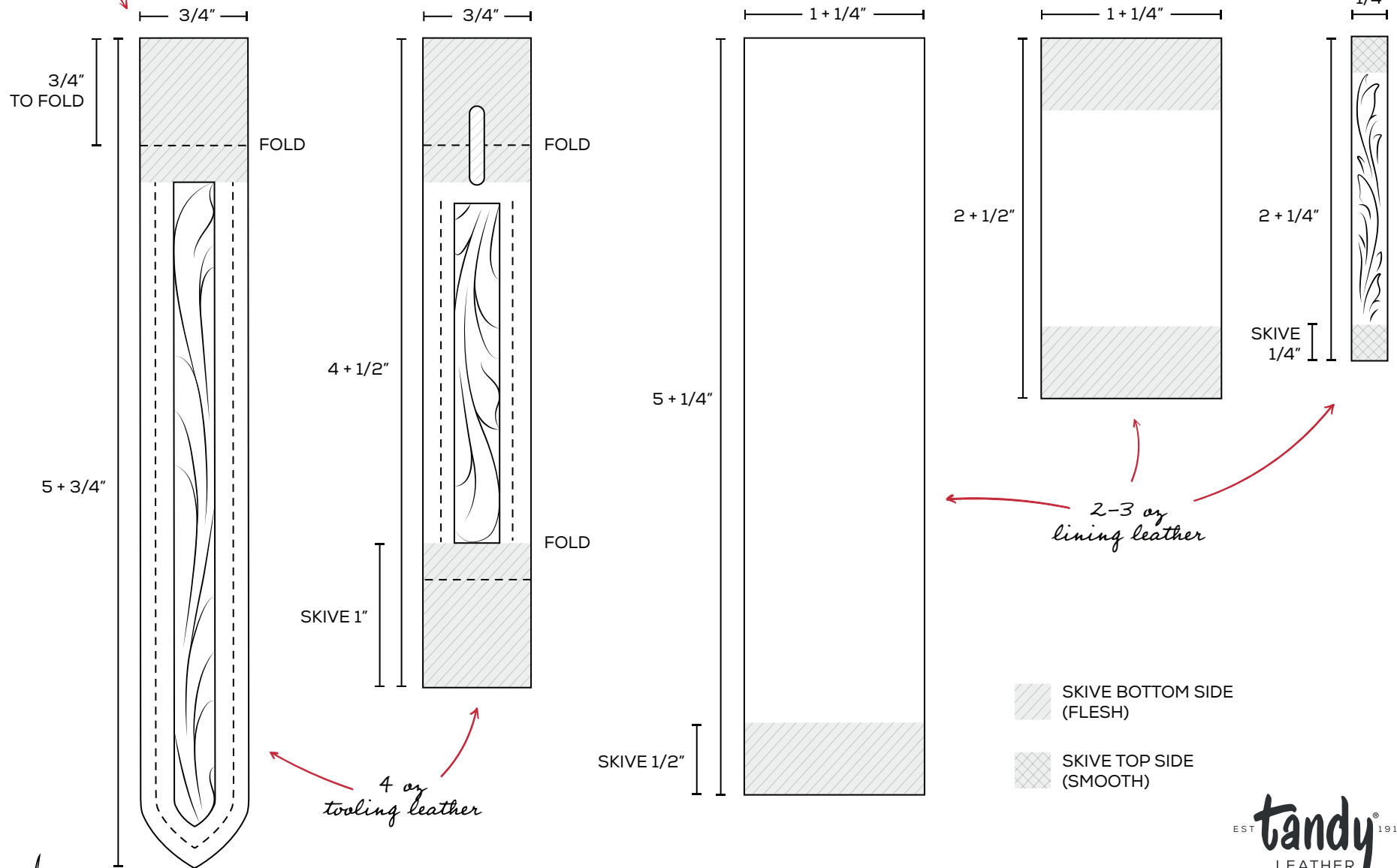


GIFT IDEA #2

WATCHBAND

Created by Dustin Loftis of The Dusty Hide Leather Co.

PATTERN



D. Loftis

EST. **tandy** 1919
LEATHER

MAKE YOUR MARK™

WATCHBAND

Created by Dustin Loftis of The Dusty Hide Leather Co.

INSTRUCTIONS

1. Set out iWatch watchband connectors and buckle.
2. Cut out one 3/4" x 5 3/4" strip and one 3/4" x 4 1/2" with strip & strap cutter from Old World Veg-Tan.
3. Cut one 1 1/4" x 2 1/2" and one 1 1/4" x 5 3/4" lining from Old World Veg-Tan.
4. Tip end of one strap with 3/4" Point End Punch.
5. Skive ends of band to be folded also ends of band keeper and lining leather with Super Skiver.
6. Check to be sure everything will fit through connectors and buckle. *Pro Tip!*
7. Lightly groove border using Craftool® Pro Stitching Groover.
8. Layout carving design onto straps.
9. Tape back of leather to keep from stretching during tooling.
10. Case, carve, and tool design using swivel knife and stamps.
11. Add decorative leather cuts.
12. Set in front of fan to dry.
13. Punch hole for buckle with Craftool® HD Oblong Punch.
14. Dye borders of watch band with paintbrush and Fiebing's Pro Dye.
15. Resist watchband with Fiebing's Saddle Lac Spray antique pieces using Fiebing's Antique Paste.
16. Set in front of fan to dry.
17. Fold and glue the ends of the straps using Barge glue.
18. Place buckle and keeper in buckle housing then glue in place.
19. Glue lining in place using Barge glue.
20. Stitch watch band and lining together using machine or hand sewing kit.
21. Trim edge with Al Stohman Brand® Round Knife.
22. Bevel edges with Craftool® Edge Beveler.
23. Sand and edge strap with Variable Speed Sander/Burnisher and Fiebing's Saddle Soap.
24. Apply final finish Fiebing's Leather Sheen Acrylic Spray.
25. Punch holes for buckle tongue with Mini Punch Set.
26. Install connectors.

Check
Your List...

- FREE PATTERN**
tandy-leather.com/maker
- FIEBING'S ANTIQUE PASTE**
21980-04
- SAFETY SKIVER**
3025-00
- OLD WORLD VEG-TAN**
9080-
- VARIABLE SPEED SANDER/BURNISHER**
3972-00
- BARGE GLUE**
2510-03
- iWATCH WATCHBAND CONNECTORS**
1527-01
- FIEBING'S SADDLE SOAP**
2221-00
- AL STOHLMAN BRAND® ROUND KNIFE**
3972-64
- CRAFTOOL® PRO SWIVEL KNIFE**
82009-02
- MINI PUNCH SET**
3003-00
- LEATHER SHEEN ACRYLIC SPRAY**
2205-00
- B60 CRAFTOOL® BEVELER STAMP**
6060-00
- B701 CRAFTOOL® BEVELER STAMP**
6701-00
- B907 CRAFTOOL® STOP STAMP**
6907-00
- P236 CRAFTOOL® PEAR SHADER STAMP**
6236-00
- A104-2 CRAFTOOL® BACKGROUND STAMP**
66104-22
- CRAFTOOL® HEAVY DUTY OBLONG PUNCH**
3121-04
- CRAFTOOL® POINT END PUNCH**
3172-03
- WOOL DAUBERS**
3443-00

EST **tandy** 1919
LEATHER

MAKE YOUR MARK™