

# **TABLE TOP - SLAB ROLLER**

**MODEL:  
SR-18T & SR-30T**

**ASSEMBLE  
INSTRUCTION  
& PARTS LIST**

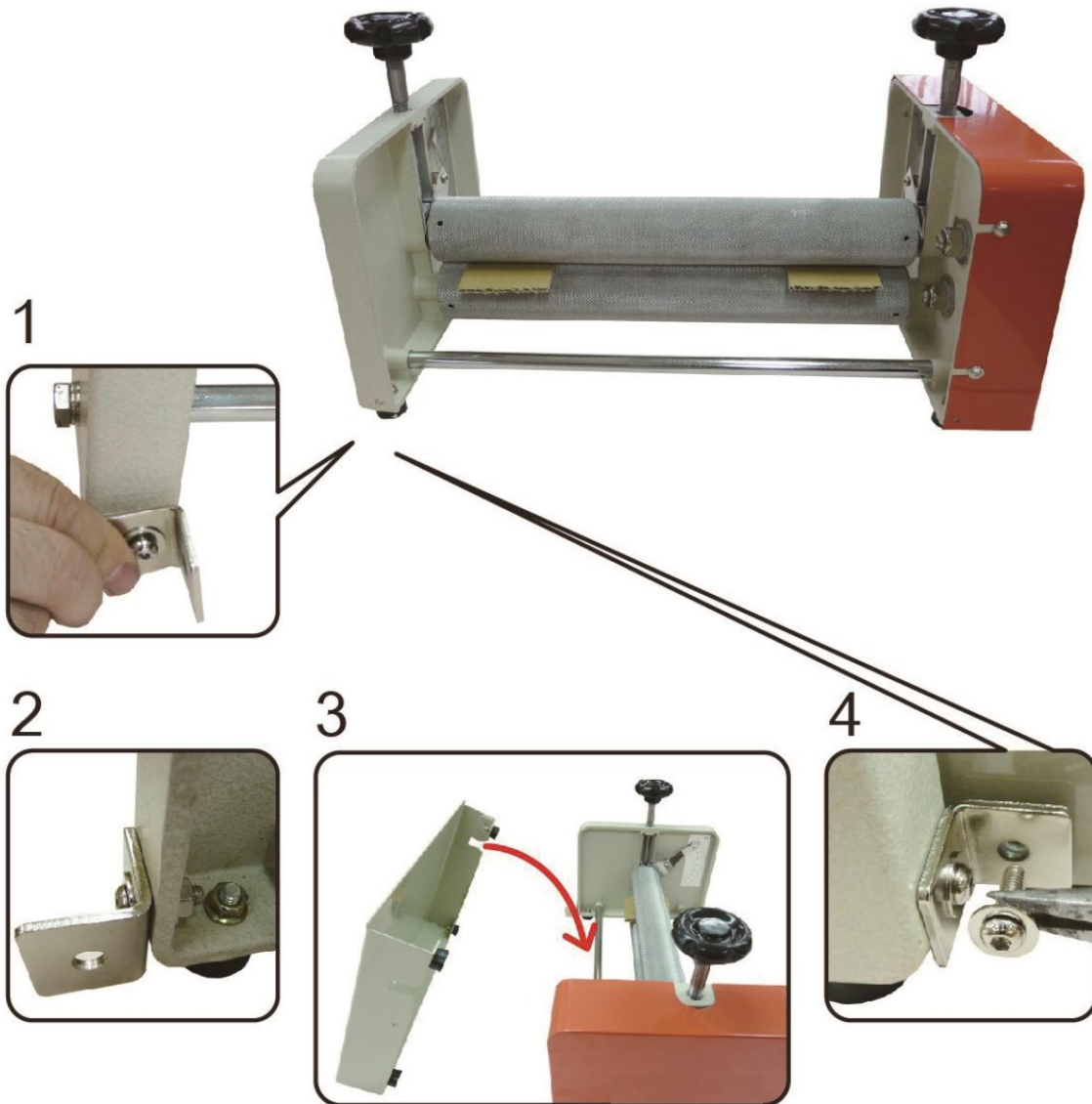
# **IMPORTANT!**

**Users are requested to read closely the contents of this operation manual before operation in order to maintain the machine in good condition at all times and to avoid possible danger because of negligence.**

Parts Content :



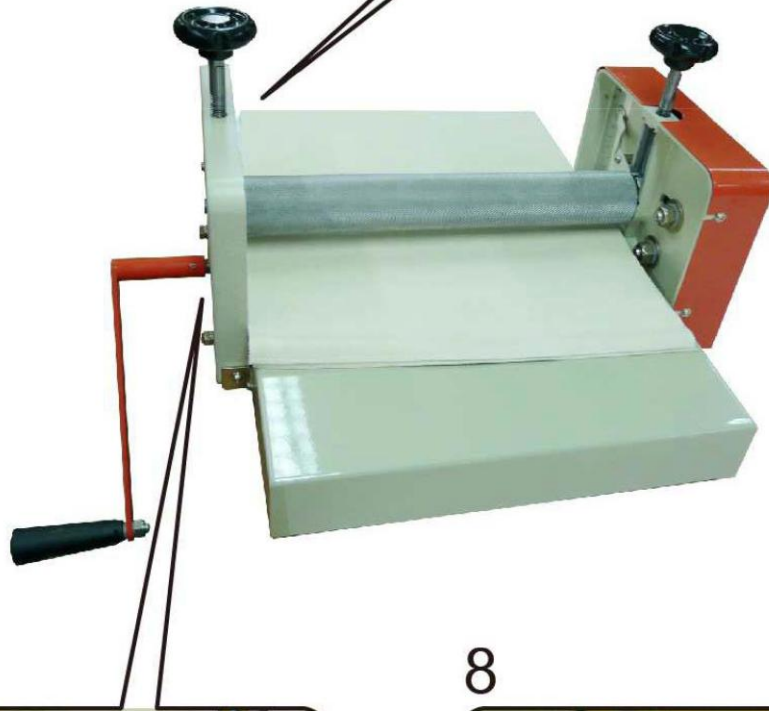
STEP:



5



6



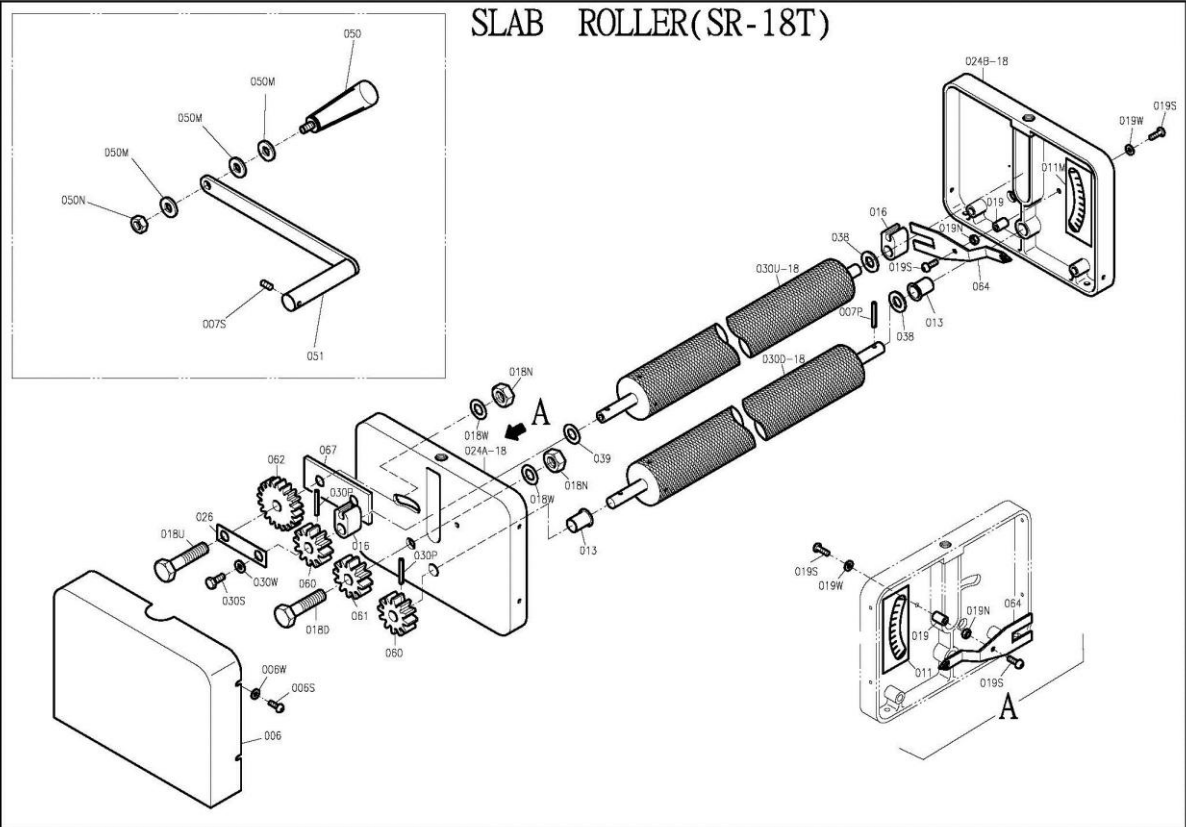
7



8



SLAB ROLLER(SR-18T)



SLAB ROLLER(SR-30T)

