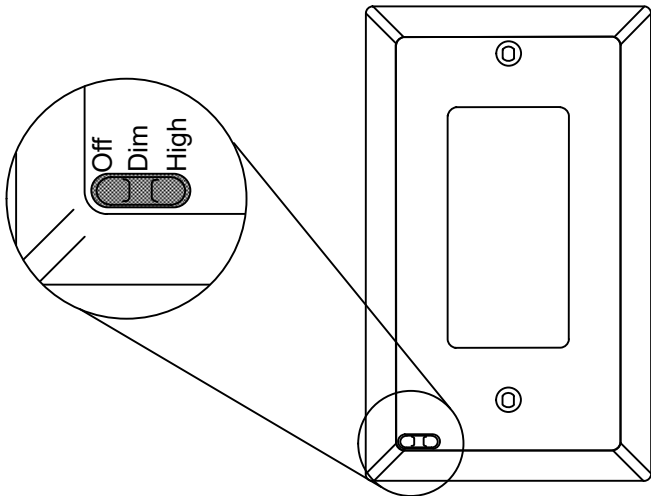


## Description

The GFCI Guidelight is an outlet cover plate with integrated LED illumination that is specifically designed to be used with Ground Fault Circuit Interrupter (GFCI) outlets. The GFCI Guidelight can be quickly installed over existing GFCI outlets by replacing the existing cover plate with the GFCI Guidelight. No modification to the wiring of the existing outlet is necessary. The GFCI Guidelight does not affect the GFCI outlet operation. The GFCI outlet continues to operate normally and provides ground fault protection to products plugged into the outlet.



## Features

- Quick Installation without wires or batteries, electrical contacts extending from the GFCI Guidelight extract power from screw terminals on the outlet body
- A single style (décor) fits over all GFCI outlets and is available in white, light almond, and ivory.
- A mechanical switch in the bottom left corner provides bright, dim, and off settings
- 4000K LED illuminated bar provides a uniform sheet of light
- Light sensor automatically turns the LEDs on to the selected light level when the room is dark
- Low power consumption provides extremely cost effective illumination
- Nationally Recognized Testing Laboratory (NRTL) certified product

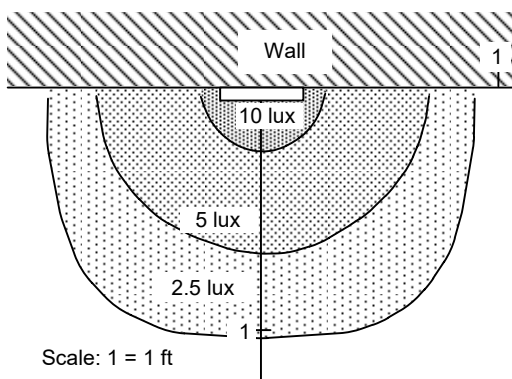
## Optical Parameters

Parameter	Min.	Typ.	Max.	Units
Turn On Threshold (Incandescent Bulb)	1	3	5	lux at light sensor
Brightness (DIM)	5	7	8	lux at 3" below light bar
Brightness (BRIGHT)	20	23	26	lux at 3" below light bar
Lumens on Bright (BRIGHT)		1.25		lumens

## Electrical Parameters

Parameter	Min.	Typ.	Max.	Units
Input Voltage (AC Volts)	30	120	277	AC Volts
Power draw in DIM position		.0036		watts
Power draw in BRIGHT position		.024		watts
Power consumption, DIM		.04		kW hr/year (\$.004)
Power consumption, Bright		.20		kW hr/year (\$.02)

## Photometric Profile



Scale: 1 = 1 ft

Measured 18" below bottom of Guidelight on bright setting

