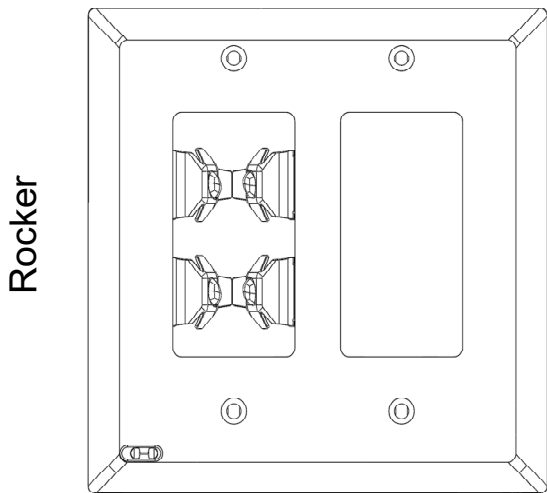


Toggle



Rocker

Description

The SnapPower SwitchLight is a switch cover plate with integrated LED illumination. The SwitchLight can be quickly installed over existing light switches by replacing the existing cover plate with the SwitchLight. No modification to the wiring of the existing light switch is necessary.

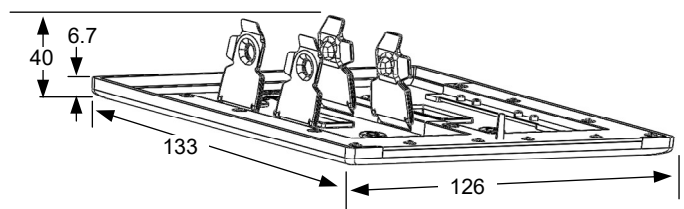
Features

- Quick Installation without wires or batteries
- Two styles accommodate toggle and rocker double gang light switch installations
- Three way switch provides bright, dim, and off settings
- LED illuminated bar provides a uniform sheet of light without hot spots
- Light sensor automatically turns the LEDs on to the selected light level when the room is dark
- Low power consumption provides extremely cost effective illumination without overhead lights illuminating or flashing
- Compatible with single pole and most 3-way switches. Not compatible with Lutron products.

Mechanical/Material Parameters

Parameter	Value	Units
Faceplate Height x Width x Thickness	133 x 126 x 6.7	mm
Faceplate Height x Width x Thickness	5.24 x 4.9 x .26	inch
Envelope Height x Width x Thickness	133 x 126 x 40	mm
	5.24 x 4.9 x 1.57	inch
Weight (toggle version)	70	grams

Materials	Face plate	ABS
	Back plate	ABS
	Switch cover/lens	PC
	Light pipe	PC
	Prong Hood/Ramps	Nylon
	Contacts/prong flexures	BeCu
	Circuit board/components	RoHS



Dimensions in millimeters

Absolute Maximum Ratings

Parameter	Ratings	Units
Input Voltage (DC)	800	V
Input Voltage (AC)	560	V
Ambient Temperature	90	°C
Impact (Ball drop test @20°C)	2.5	Joules

Absolute Maximum Ratings are stress ratings. Stresses in excess of these ratings can cause permanent damage to the device. Functional operation of the device at conditions beyond those indicated in the operational sections of these data sheet is not implied.

Operational Electrical Parameters

Parameter	Min.	Typ.	Max.	Units
Input Voltage (AC Volts)	30	120	277	AC Volts
Power draw in light room		.000024		watts
Power draw in OFF position		.000024		watts
Power draw in DIM position		.0036		watts
Power draw in BRIGHT position		.018		watts
Power consumption, lighted room		.003		kW hours/year (\$.0003)
Power consumption, OFF		.003		kW hours/year (\$.0003)
Power consumption, DIM		.03		kW hours/year (\$.003)
Power consumption, Bright		.15		kW hours/year (\$.015)

Optical Parameters

Parameter	Min.	Typ.	Max.	Units
Turn On Threshold	1	1.9	2.75	lux at light sensor
Brightness (DIM)	.25	.35	.50	lux at 3" below light bar
Brightness (BRIGHT)	7	9.3	11	lux at 3" below light bar
Lumens on Bright (BRIGHT)		.5		lumens

Photometric Profile

Scale: 1 = 1 ft

Measured 8" below bottom of SwitchLight on bright setting

