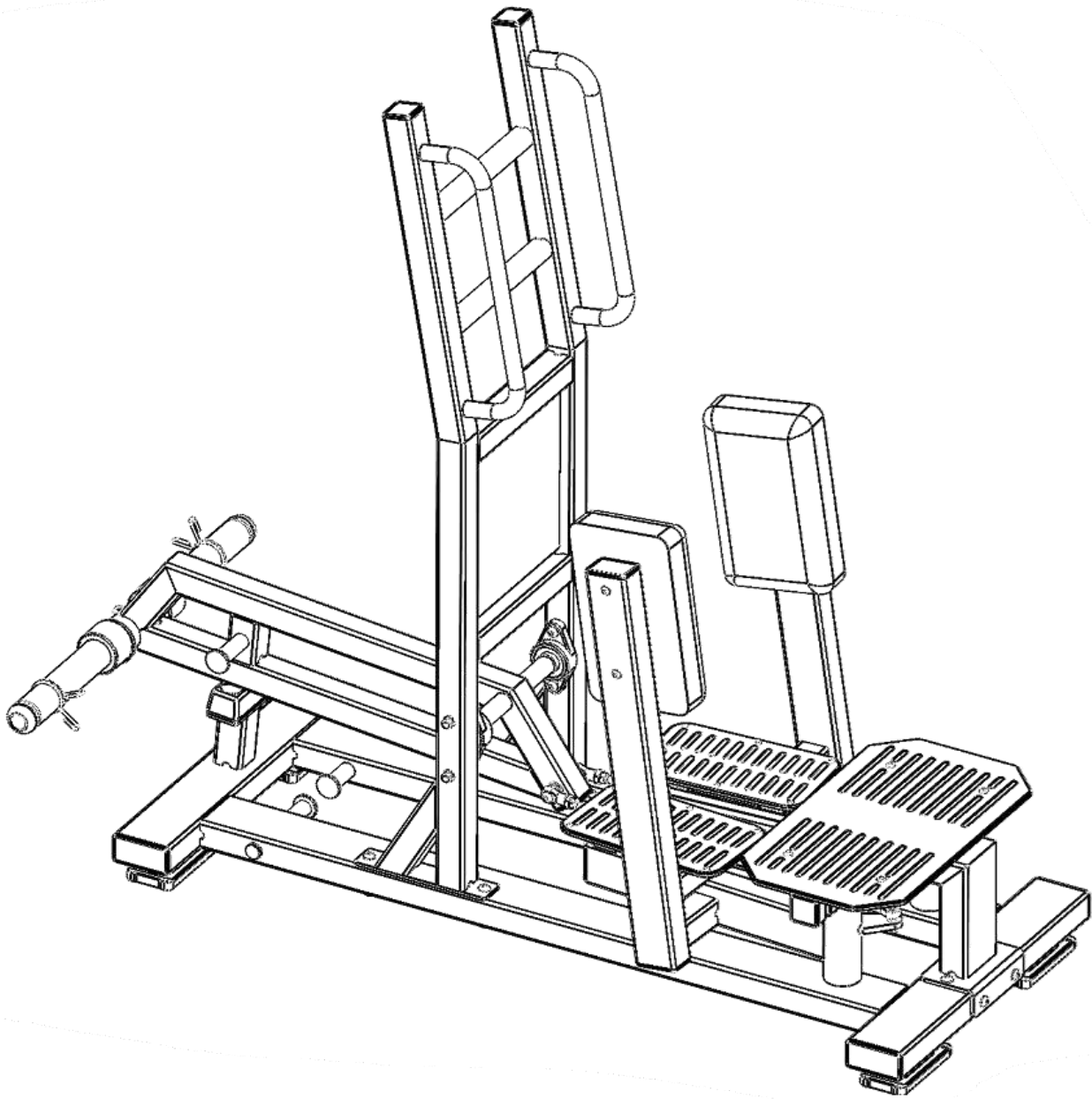
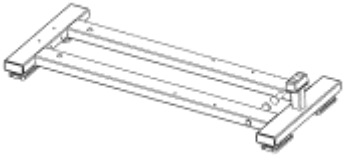
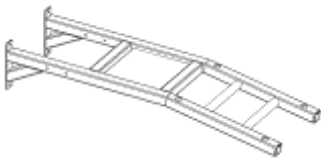
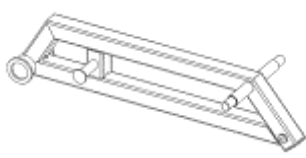
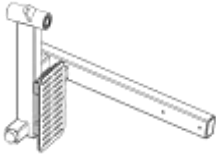
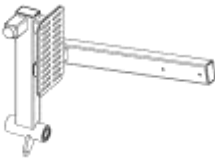
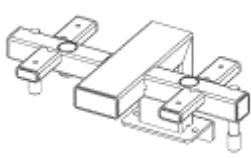



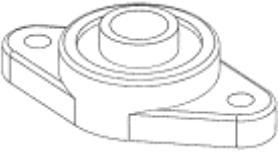




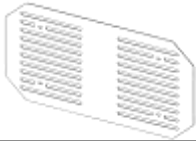
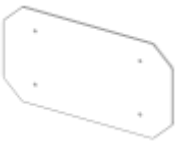
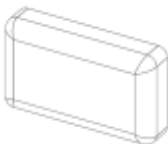



PL-ST-AB Standing Abductor

Assembly Instruction





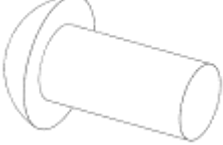









Parts list (individually packaged)

| | | |
|---|---|---|
|  |  |  |
| 1 | 2 | 3 |
|  |  |  |
| 4 | 5 | 6 |
|  |  |  |
| 7 | 8 | 9 |
|  |  |  |
| 10 | 11 | 12 |
|  |  |  |
| 13 | 14 | 15 |
|  |  |  |
| 16 | 17 | 18 |
| | | |

| Item NO | Name | Qty |
|---------|------------------------------|-----|
| 1 | Base assembly | 1 |
| 2 | Column components | 1 |
| 3 | Starter arm assembly | 1 |
| 4 | Left boom assembly | 1 |
| 5 | Right boom assembly | 1 |
| 6 | Pedal components | 1 |
| 7 | handle assembly | 2 |
| 8 | Stainless steel components | 1 |
| 9 | Connect bearing assembly | 2 |
| 10 | Bearing seat | 2 |
| 11 | Spacer sleeve | 2 |
| 12 | Connecting shaft | 2 |
| 13 | 0211 gasket | 2 |
| 14 | GT003 | 4 |
| 15 | Stainless steel foot pedal 2 | 1 |
| 16 | Assemble the pedals | 1 |
| 17 | Leg pads | 2 |
| 18 | New sheath | 2 |
| 19 | 50 Diameter butterfly clip | 2 |

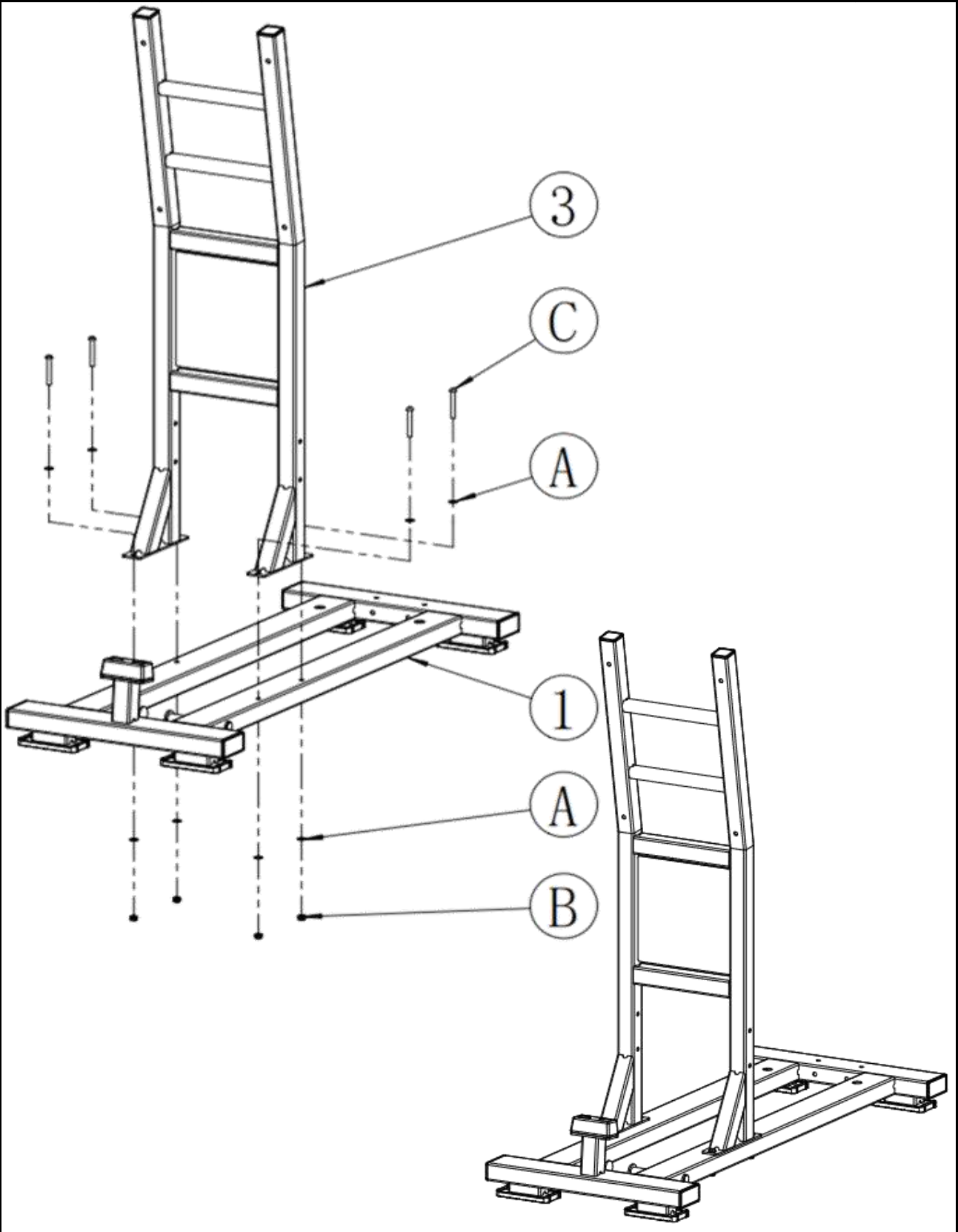
Blister package screw list

| | | |
|---|---|---|
|  |  |  |
| A | B | C |
|  |  |  |
| D | E | F |
|  |  |  |
| G | H | J |
|  |  |  |
| K | L | M |

| Item NO | Name | Qty |
|---------|-----------------------------------|-----|
| A | Flat washerΦ10 | 33 |
| B | Lock nut M10 | 14 |
| C | Hexagon socket head screw M10X70 | 6 |
| D | Hexagon socket head screw M10X80 | 4 |
| E | Hexagon socket head screw M10X20 | 9 |
| F | Hexagon socket head screw M10X120 | 2 |
| G | Hexagon socket head screw M10X45 | 2 |
| H | Hexagon socket head screw M8X45 | 4 |
| J | Flat washerΦ8 | 8 |
| K | Lock nut M8 | 4 |
| L | Hexagon socket head screw M8X70 | 4 |
| M | Hexagon socket head screw M10X30 | 2 |
| N | | |

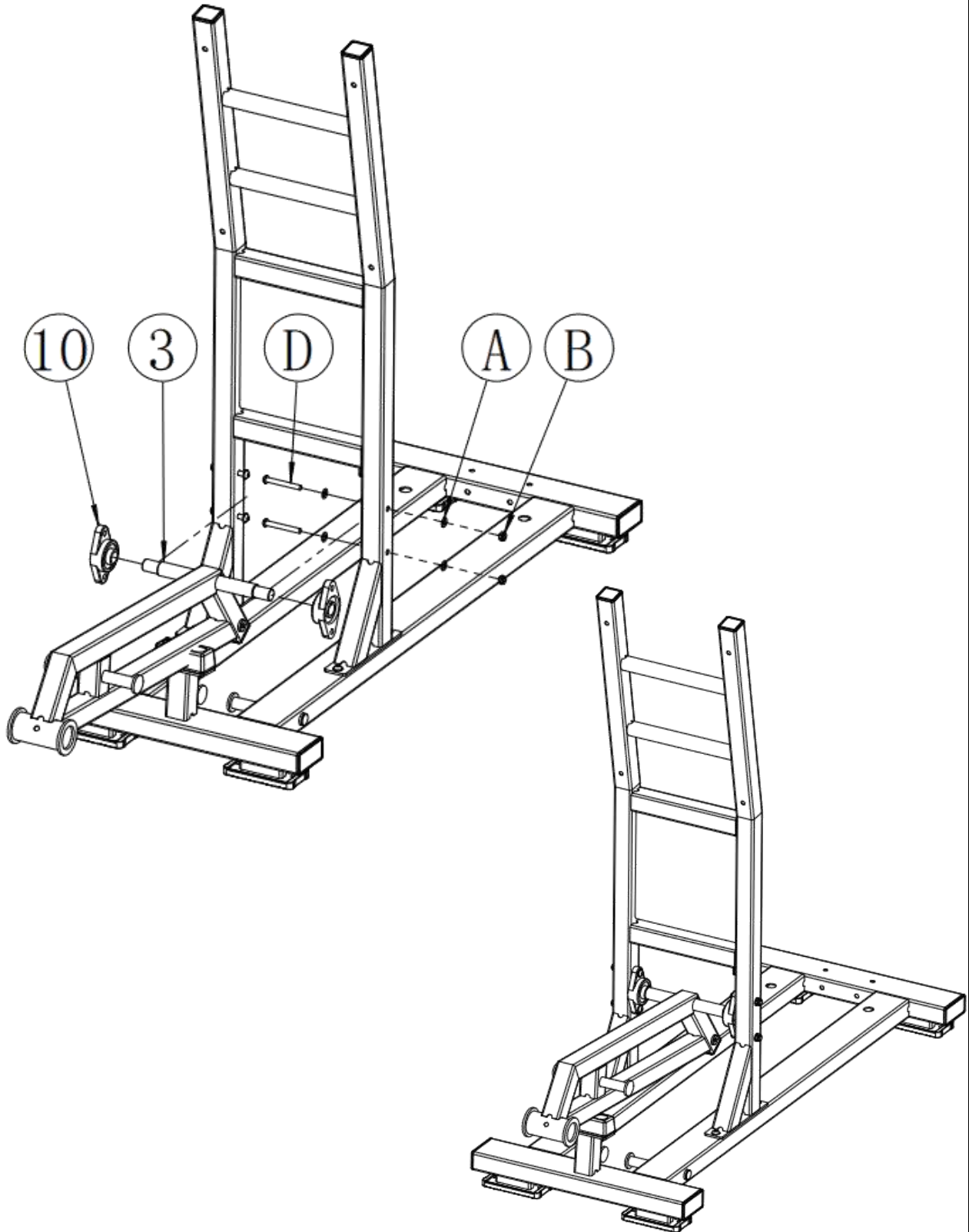
Assembly steps

| Step | Item NO | Name | Qty |
|------|---------|----------------------------------|-----|
| 1 | 1 | Base assembly | 1 |
| | 3 | Column components | 1 |
| | A | Flat washer $\Phi 10$ | 8 |
| | B | Lock nut M10 | 4 |
| | C | Hexagon socket head screw M10X70 | 4 |



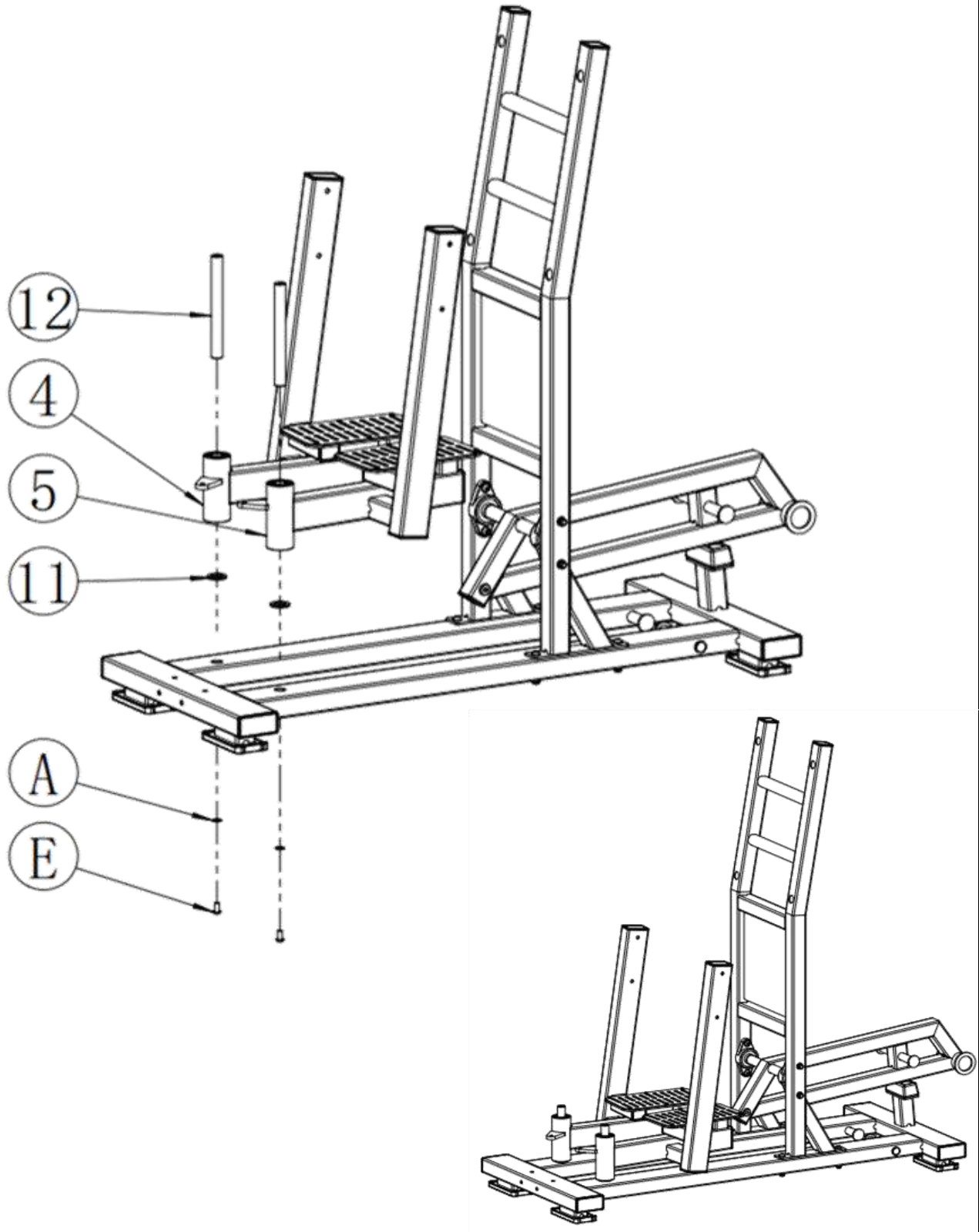
Assembly steps

| Step | Item NO | Name | Qty |
|------|---------|----------------------------------|-----|
| 2 | 3 | Starter arm assembly | 1 |
| | 10 | Bearing seat | 2 |
| | A | Flat washerΦ10 | 8 |
| | B | Lock nut M10 | 4 |
| | D | Hexagon socket head screw M10X80 | 4 |



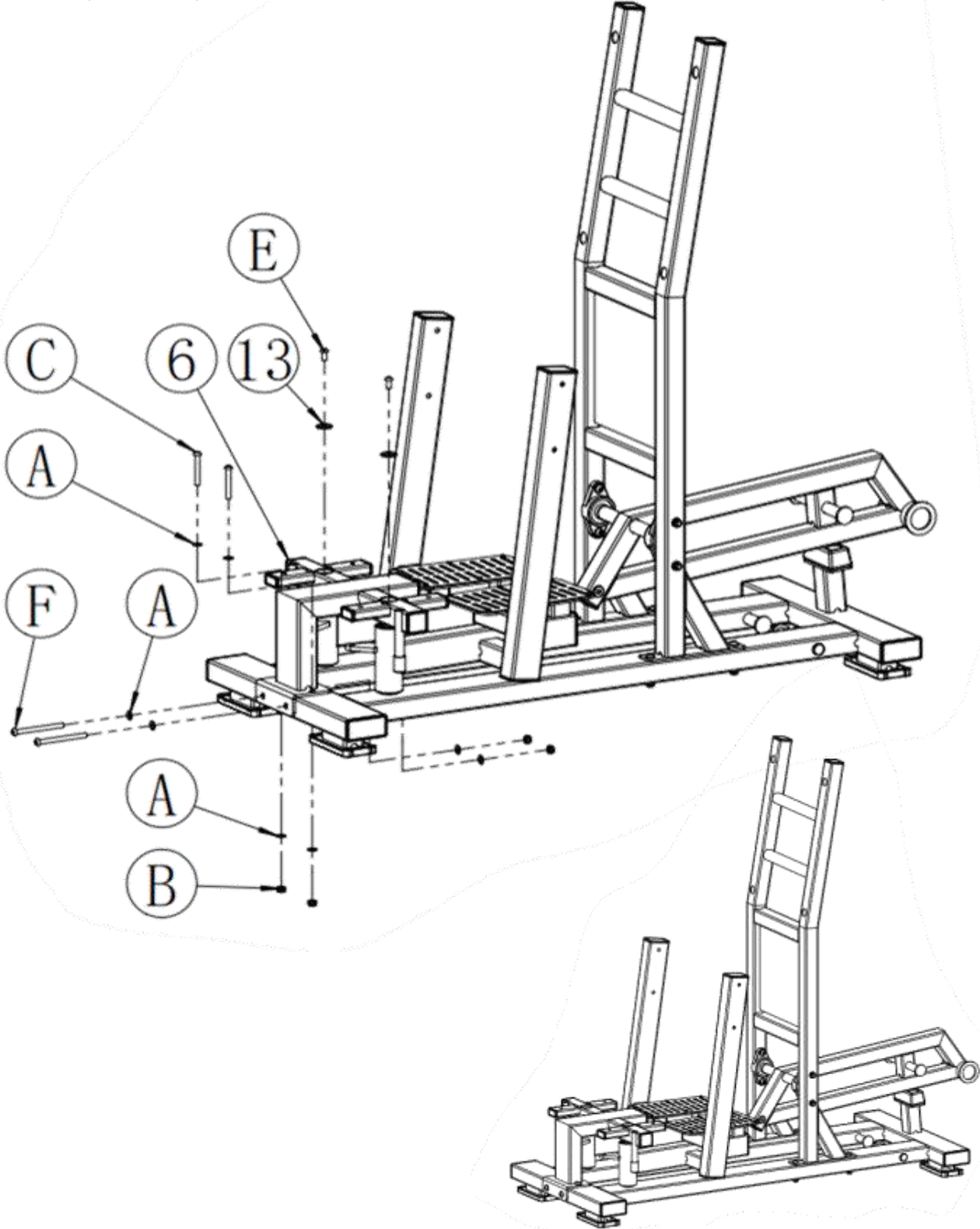
Assembly steps

| Step | Item NO | Name | Qty |
|------|---------|----------------------------------|-----|
| 3 | 4 | Left boom assembly | 1 |
| | 5 | Right boom assembly | 1 |
| | 11 | 0217 spacer sleeve | 2 |
| | 12 | Connecting shaft | 2 |
| | A | Flat washerΦ10 | 2 |
| | E | Hexagon socket head screw M10X20 | 2 |



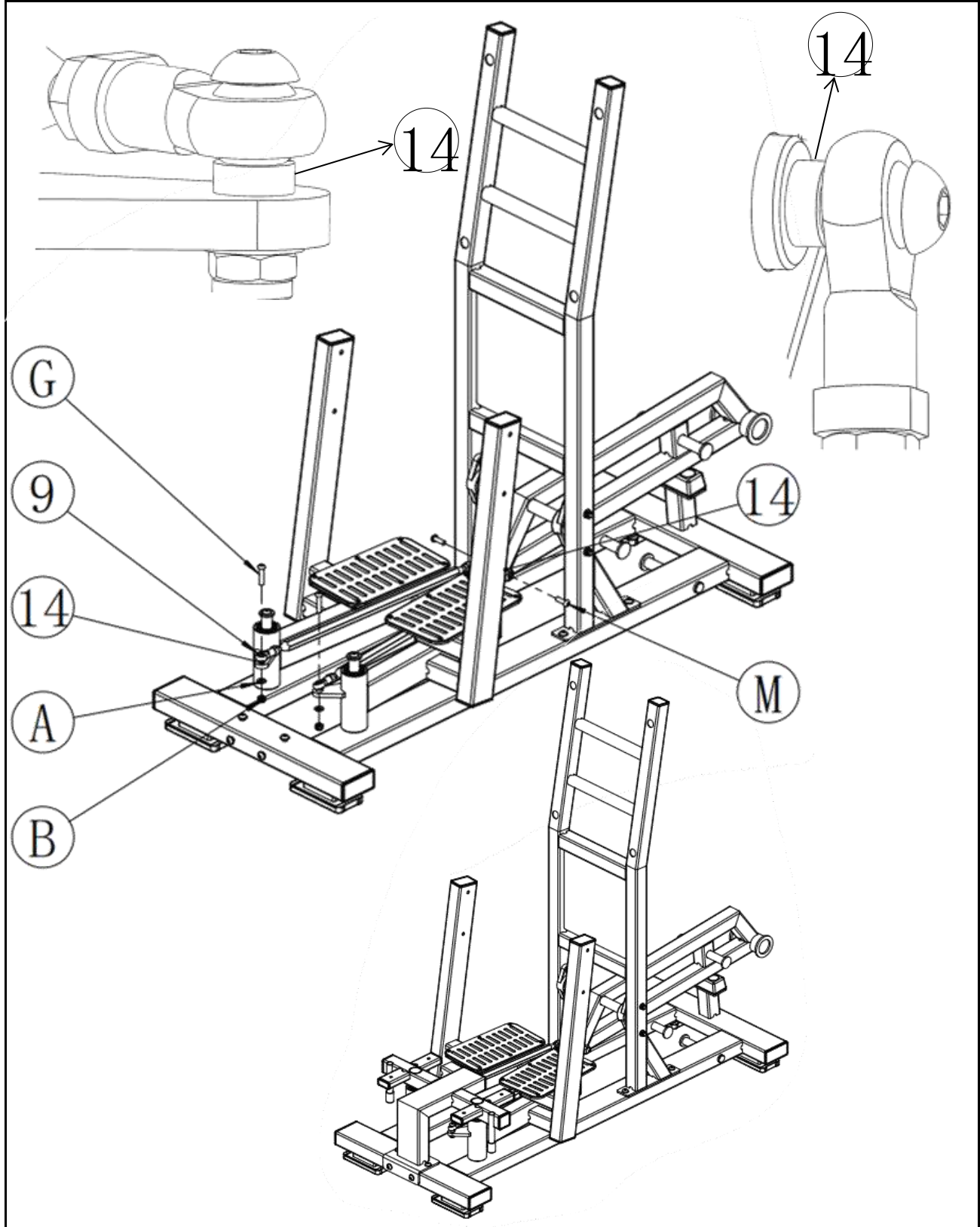
Assembly steps

| Step | Item NO | Name | Qty |
|------|---------|-----------------------------------|-----|
| 4 | 6 | Pedal components | 1 |
| | 13 | 0211 gasket | 2 |
| | A | Flat washerΦ10 | 8 |
| | B | Lock nut M10 | 4 |
| | C | Hexagon socket head screw M10X70 | 2 |
| | E | Hexagon socket head screw M10X20 | 2 |
| | F | Hexagon socket head screw M10X120 | 2 |



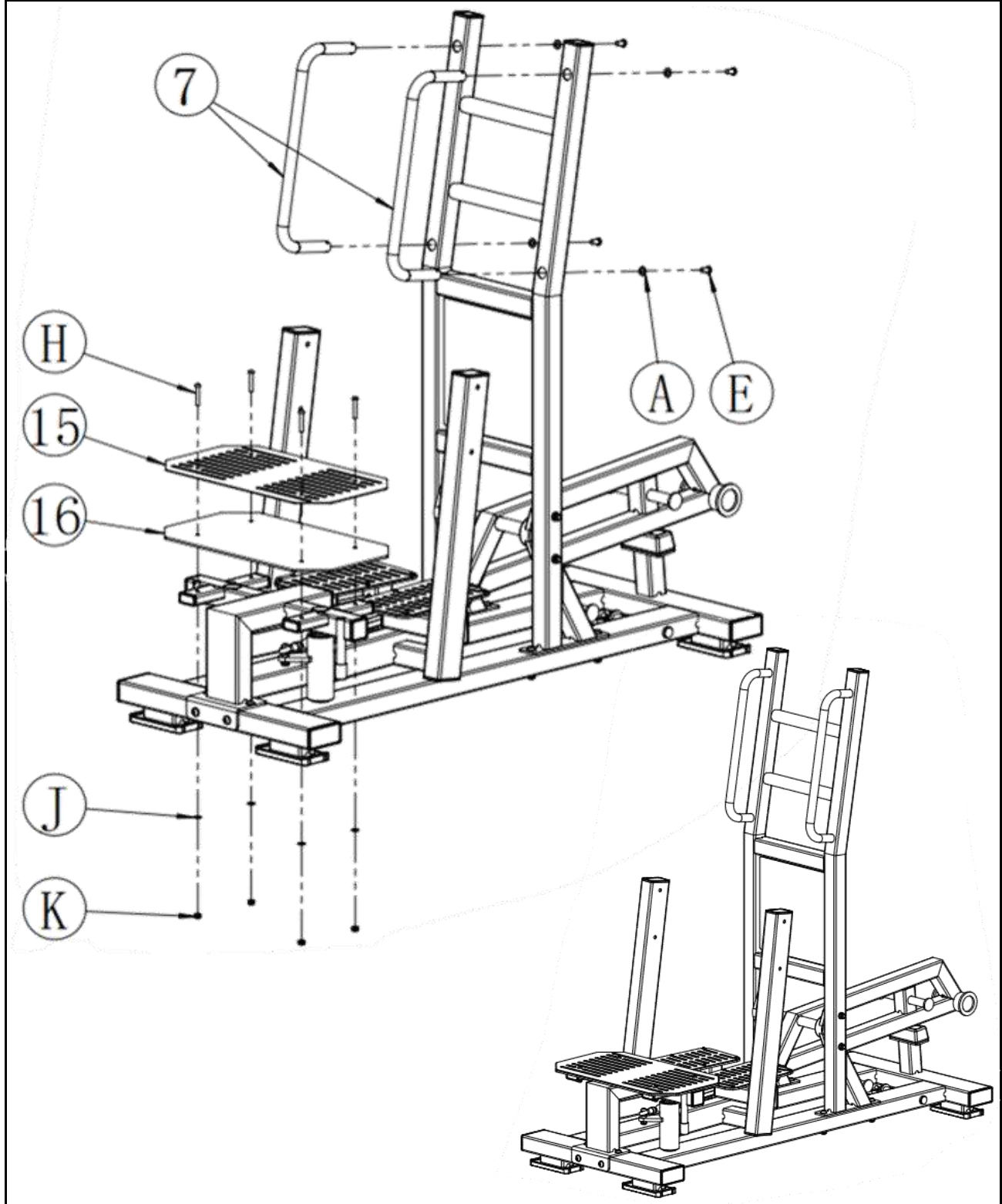
Assembly steps

| Step | Item NO | Name | Qty |
|------|---------|----------------------------------|-----|
| 5 | 9 | Connect bearing assembly | 2 |
| | 14 | GT003 spacer sleeve | 4 |
| | A | Flat washerΦ10 | 2 |
| | B | Lock nut M10 | 2 |
| | G | Hexagon socket head screw M10X45 | 2 |
| | M | Hexagon socket head screw M10X30 | 2 |



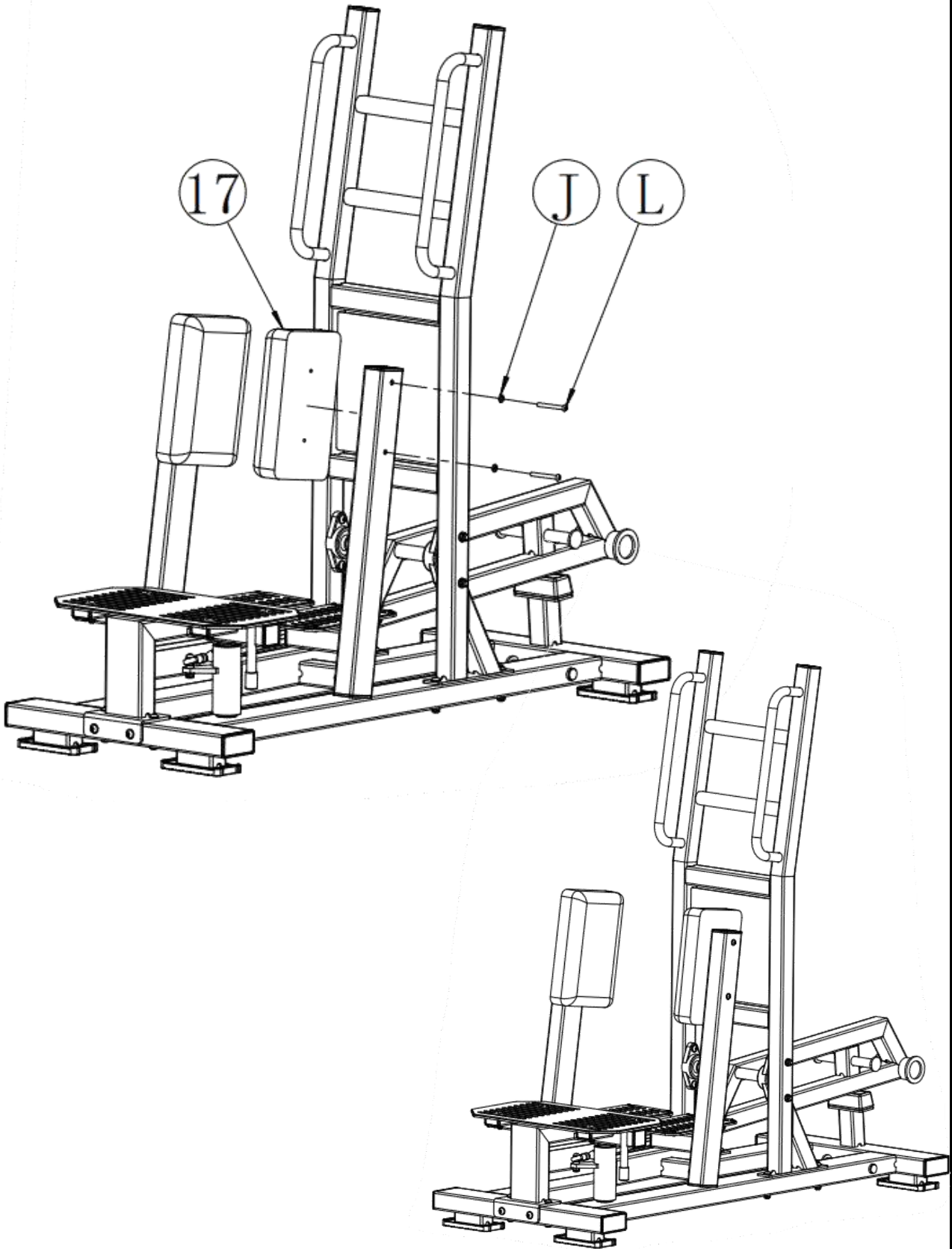
Assembly steps

| Step | Item NO | Name | Qty |
|------|---------|----------------------------------|-----|
| 6 | 7 | Handle assembly | 2 |
| | 15 | Stainless steel foot pedal 2 | 1 |
| | 16 | Assemble the pedals | 1 |
| | A | Flat washerΦ10 | 4 |
| | E | Hexagon socket head screw M10X20 | 4 |
| | J | Flat washerΦ8 | 4 |
| | H | Hexagon socket head screw M8X45 | 4 |
| | K | Lock nut M8 | 4 |



Assembly steps

| Step | Item NO | Name | Qty |
|------|---------|---------------------------------|-----|
| 7 | 17 | Leg pads | 2 |
| | J | Flat washerΦ8 | 4 |
| | L | Hexagon socket head screw M8X70 | 4 |



Assembly steps

| Step | Item NO | Name | Qty |
|------|---------|----------------------------------|-----|
| 8 | 8 | Stainless steel components | 1 |
| | 18 | 0609 New sheath | 2 |
| | 19 | Butterfly clip | 2 |
| | A | Flat washerΦ10 | 1 |
| | E | Hexagon socket head screw M10X20 | 1 |

