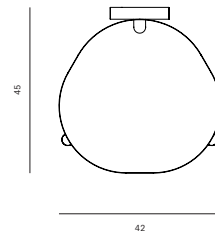


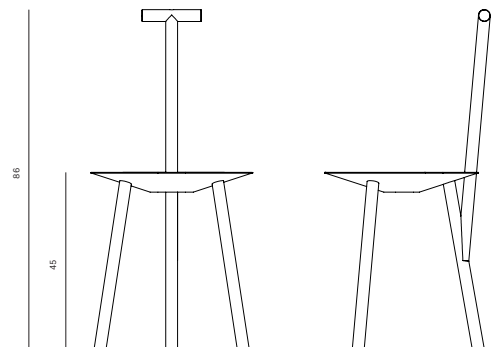


SPADE CHAIR / ALUMINIUM

Sand-Cast Aluminium
86(h) x 45(d) x 42(w) cm
11 kg
Naked



Originally made in sycamore for Assemblage 1, the Spade Chair has been sand-cast in corrosion-resistant aluminium and anodised to provide an irregular blackened, molten-like effect.



toogood