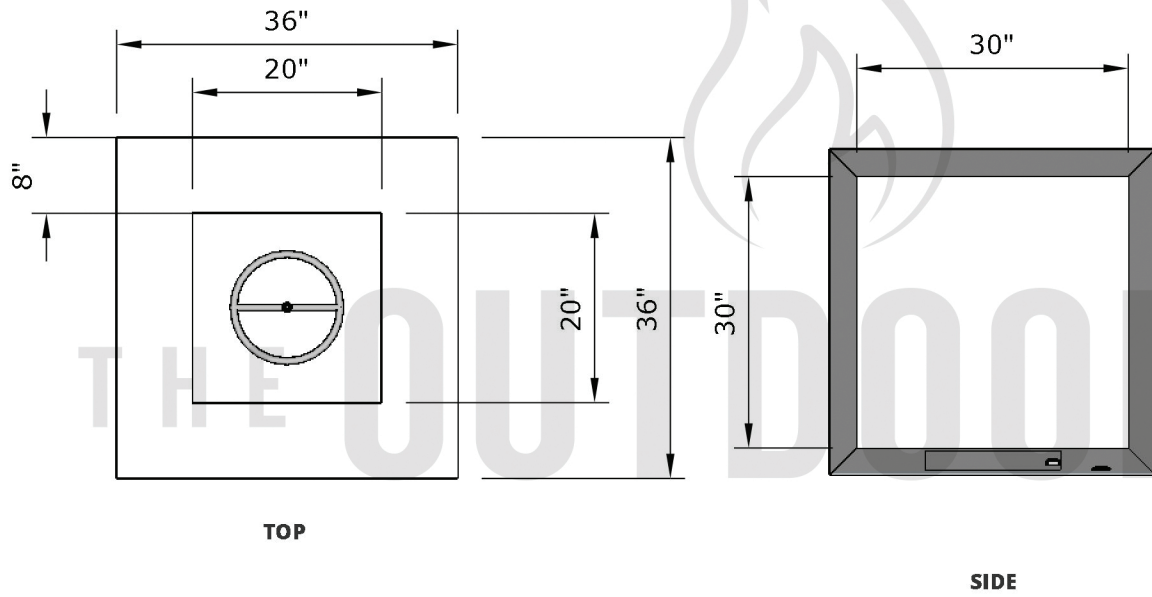


Replacement Part Numbers



Amere 36" Fire Pit

Page Number	1 of 1
Author: Bryant Uribe	4/13/2018
Approved By: Gabriel Estrada	4/13/2018

Part Number	OPT-SQ36CPM or OPT-SQ36CPM-HAMC
Material	Copper
Finishes	Copper / Hammered Copper
Gas Type	Natural Gas (-NG) or Liquid Propane (-LP)
Weight	120 lbs.
BTUs	45,000
Suggested Fire Glass	50 lbs.
Access Door	Yes

ITEM NO.	REPLACEMENT PART NUMBER	QTY.
1	OPT-166T48	1
2	OPT-256	1

Proprietary & Confidential: The information contained in this drawing is the sole property of **The Outdoor Plus**. Any reproduction or as a whole without written permission of **The Outdoor Plus** is prohibited.