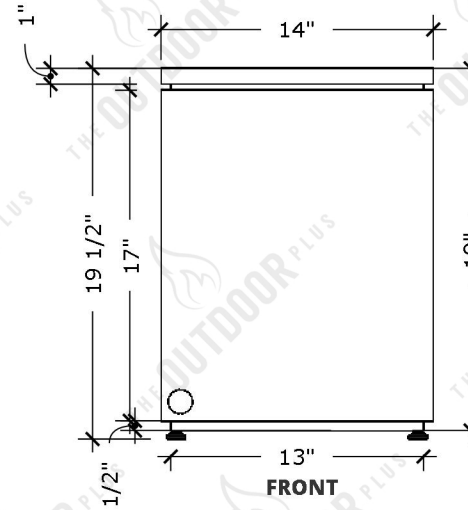
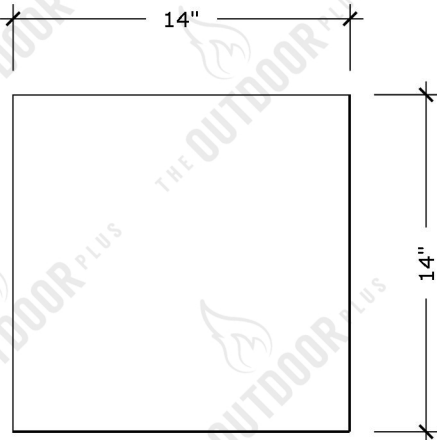


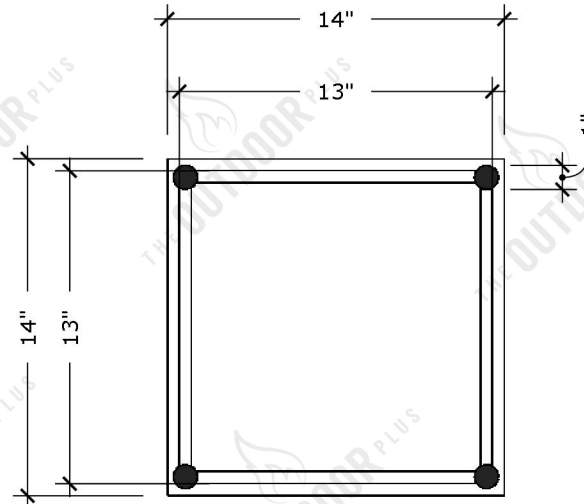
PERSPECTIVE



FRONT



TOP



BOTTOM

LP TANK ENCLOSURE

Part Number	OPT-LPEN-XX
Material	METAL
Finishes	HAMMERED COPPER, POWDERCOAT STEEL, STAINLESS STEEL, CORTEN STEEL
Gas Type	LP
Weight	30 LBS.
BTUs	--
Suggested Fire Glass	--
Access Door	REMOVABLE TOP LID



235 East Main St
Ontario CA 91761
Office: (909) 460-5579