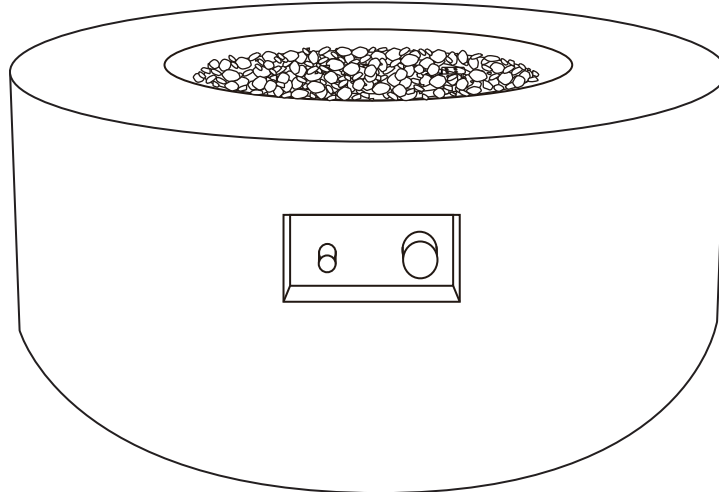


MODENO

Venice Fire Table / Tramore Fire Table



OFG113NG , OFG132NG

Owner's Manual
Gas Type: Natural Gas

IMPORTANT

INSTALLER:
Leave this manual with the appliance.
CONSUMER:
Retain this manual for future reference.

WARNING

Do not store or use gasoline or other flammable vapors and liquids, in the vicinity of this or any other appliance. This unit is not for use with propane. Use only with Natural gas.

WARNING

• If the information in this manual is not followed exactly, a fire or explosion may result causing property damage personal injury or loss of life.

- Installation and service must be performed by a qualified installer, service agency or gas supplier.
- Improper Installation, adjustment, alteration, service or maintenance can cause injury or property damage.
- Read the installation, operation and maintenance instructions thoroughly before installing or servicing this equipment.
- Save these instructions for future reference. If you are assembling this unit for someone else, give this manual to him or her to read and save for future reference.

DANGER

FIRE OR EXPLOSION HAZARD

If you smell gas:

- Shut off gas to the appliance.
- Extinguish any open flame.
- If odor continues, leave the area immediately.
- After leaving the area, call your gas supplier or fire department.

Failure to follow these instructions could result in fire or explosion, which could cause property damage, personal injury, or death.



WARNING

For outdoor use only
Installation and service must be performed by a qualified installer, service agency, or the gas supplier.





TABLE OF CONTENTS


Important Safety Information -----	3
Natural Gas Warnings -----	5
Parts List -----	7
Pre-use Instructions -----	12
Lighting Instructions -----	13
Care and Cleaning -----	14
Gas Component Connection Checks -----	15
Troubleshooting -----	17
Warranty -----	19

 DANGER	CARBON MONOXIDE HAZARD
	<p>This appliance can produce carbon monoxide which has no odor.</p> <p>Using it in an enclosed space can kill you.</p> <p>Never use this appliance in an enclosed space such as a camper, tent, car or home.</p>

 **WARNING:** This product can expose you to Carbon monoxide, which is known to the State of California to cause birth defects or other reproductive harm. For more information go to www.P65Warnings.ca.gov .

 **WARNING:** This product can expose you to Disononyl phthalate (DINP), which is known to the State of California to cause cancer. For more information go to www.P65Warnings.ca.gov .

 **WARNING:** This product can expose you to Butylbenzyl phthalate (BBP)/Di-n-butyl phthalate (DBP) , which is known to the State of California to cause birth defects or other reproductive harm. For more information go to www.P65Warnings.ca.gov .

 **WARNING:** This product can expose you to Lead/ Di(2-ethylhexyl)phthalate(DEHP) , which is known to the State of California to cause cancer and birth defects or other reproductive harm. For more information go to www.P65Warnings.ca.gov .

IMPORTANT SAFETY INFORMATION



WARNING FIRE TABLE IS FOR OUTDOOR USE ONLY

IF YOU SMELL GAS

- Shut off gas supply to the fire table.
- Extinguish any open flame.
- Do not try lighting any appliance.
- Do not touch any electrical switch; do not use any phone in your building.
- Immediately call your gas supplier from a neighbor's phone.
- Follow the gas supplier's instructions.
- If you cannot reach your gas supplier, call the fire department.

Installation and repair should be done by a qualified service person. The appliance should be inspected before use and at least annually by a qualified service person. More frequent cleaning may be required as necessary. It is imperative that the control compartment, burners, and circulating air passageways of the appliance are kept clean.

- **WARNING:** Always shut off gas supply at the shut-off valve and disconnect the quick disconnect socket from the main gas supply when the fire table is not in using.
- **WARNING:** Installation and service must be performed by a qualified installer, service agency or gas supplier.
- **WARNING:** Failure to follow with the safety warnings and precautions in this manual may result in serious bodily injury or death, a fire or an explosion causing damage to property.
- **IMPORTANT NOTICE:** Read and understand all warnings and precautions prior to assembly and use your gas fire table. Improper installation, adjustment, alteration, service or maintenance can cause injury or property damage.
- **NOTE:** The use and installation of this product must conform to local codes, or in the absence of local codes with the National Fuel Gas Code, ANSI Z223.1 • NEPA 54; Natural Fuel Gas code ; Natural Gas and Propane Installation Code, CSA B149.1; or Propane Storage and Handling code B149.2; This appliance complies with ANSI Z21.97-2017• CSA2.41-2017 Outdoor Decorative Gas Appliances Standards.
- **Minimum Clearance from Unit to Combustible Materials**
72”(182.9cm) minus the height of appliance from the top; 48” (121.9cm) from all sides and back.
- Do not locate this fire table under any overhead enclosure.
- The minimum inlet Natural Gas supply pressure: 3.5" w.c. (0.87kPa).
The maximum inlet Natural Gas supply pressure: 10.5" w.c. (2.61kPa).
- The manifold pressure of this appliance is 7" w.c. (1.74kPa).
- Always use this outdoor fire table on a hard, level non-combustible surface such a concrete, rock or stone. An asphalt or blacktop surface may not be acceptable for this purpose. Surfaces such as dirt and grass may prevent the unit from having proper ventilation.
- This gas fire table and its individual shut off valve must be disconnected from the gas supply piping system during any pressure testing of that system at test pressures in excess of 1/2 of psi (3.5 kPa).
- The appliance must be isolated from the gas supply piping system by closing its individual manual shut off valve during any pressure testing of the gas supply piping system at test pressures equal to or less than 1/2 psi (3.5 kPa).
- Keep these instructions for future reference. If you are assembling this unit for someone else, give this manual to him or her to read and keep for future reference.
- This gas fire table must be used ONLY outdoors in a well-ventilated space and shall NOT be used inside a building, garage, or any other enclosed area.

IMPORTANT SAFETY INFORMATION

- DO NOT use this outdoor gas fire table for indoor heating. Toxic carbon monoxide fumes can accumulate and cause asphyxiation.
- NEVER leave this gas fire pit unattended when in use.
- Children and adults should be alerted to the hazards of high surface temperatures and should stay away to avoid burns or clothing ignition.
- DO NOT store or use gasoline or other flammable vapors and liquids within 25 feet (7.62m) of this or any other appliance.
- DO NOT store any combustible materials in the base enclosure.
- DO NOT use in an explosive atmosphere. Keep gas fire table area clear and free from combustible materials, gasoline and other flammable vapors and liquids.
- This outdoor fire table is NOT to be operated by children. Young children should be closely supervised when in the vicinity of this outdoor fire table.
- This outdoor fire table is not to be installed or used in or on recreation vehicles and/or boats.
- Always use in accordance with all applicable local, state and national codes. Contact your local fire department for details on outdoor burning.
- Use the same precautions you would with any open fire when using this outdoor fire table.
- DO NOT burn solid fuels such as: wood, charcoal briquettes, lump charcoal, manufactured logs, driftwood, trash, leaves, paper, cardboard, plywood, painted or stained or pressure treated wood in this outdoor fire table.
- DO NOT use this outdoor fire table until it is completely assembled and all parts are securely fastened and tightened.
- DO NOT use this outdoor fire table near automobiles, trucks, vans or recreational vehicles.
- DO NOT use this outdoor fire table under any overhead structure or near any unprotected combustible constructions. Avoid using near or under overhanging trees and shrubs.
- The use of alcohol, prescription or non-prescription drugs may impair an individual's ability to properly assemble or safely operate this outdoor fire table.
- DO NOT use this outdoor fire table if any part has been under water. Immediately call a qualified service technician to inspect the fire table and to replace any part or control system and any gas control which has been under water.
- DO NOT wear flammable or loose clothing when operating this outdoor fire table.
- DO NOT use in windy conditions.
- Keep all electrical cords away from a hot outdoor fire table.
- Certain areas of this outdoor fire table when in use will become too hot to touch. Do not touch hot surfaces until the unit has cooled unless you are wearing protective gear such as insulated pot holders or heat resistant gloves or mittens to avoid burns.
- DO NOT hang or place clothing or other flammable materials on or near the gas fire table.
- Any guard or other protective device removed for servicing the fire table must be replaced prior to operating the fire table.
- DO NOT attempt to move or store this outdoor fire table until all parts are cool.
- DO NOT lean over this outdoor fire table when lighting or when in use.
- Use only the natural gas hose and quick disconnect assembly provided. The replacement natural gas hose and quick disconnect assembly shall be that specified by the manufacturer.
- DO NOT attempt to disconnect natural gas hose or quick disconnect socket from the main gas supply or any gas fitting while the outdoor fire table is in use.
- Always shut off the gas supply at the shut-off valve and disconnect the quick disconnect socket from the main gas supply when the fire table is not in use.
- DO NOT sit on the fire table when the unit is in operation.
- DO NOT throw anything onto the fire when the unit is in operation.
- Lava rocks are very hot; please keep children and pets at a safe distance.

IMPORTANT SAFETY INFORMATION

- It is essential to keep the outdoor fire table valve compartment, burners, and circulating air passages clean. Inspect outdoor fire table before each use.
- Prior to each fire table operation, check the hose for evidence of excessive abrasion or wear by looking through the visual check hole. If the hose is damaged, cracked or cut, it must be replaced before using the gas fire table. The hose assembly can only be replaced with a hose assembly specified by the manufacturer. Please call Ocean Rock USA at 800-678-7294 .Use only replacement parts from the manufacturer.
- Before each use, remove the lava rocks. Examine the burner and its components. If dirty, clean with a soft brush and soapy water solution. Examine the area around the burner; any dirt or foreign material, such as spider webs or nests in this area should be removed. If it is evident that the burner is damaged, the fire table must not be used. The burner assembly cannot be replaced. Please contact Ocean Rock USA at 800-678-7294 for technical support.
- Place the hose out of the pathways where people may trip over it. Do not place the hose in areas where it may be subjected to accidental damage.



WARNING

This outdoor fire table is for use with Natural Gas only. The conversion to or attempted use of Liquid Propane in this outdoor fire table is dangerous and could result in serious personal injury, or property damage.

ATTENTION: Any alteration of the outdoor fire table that is not specifically directed in the operations manual will void manufacturer warranty.

NATURAL GAS DANGERS AND WARNINGS

Natural gas is flammable and hazardous if handled improperly. Become aware of the characteristics before using any natural gas product.

Natural Gas Characteristics:

- Flammable, explosive under pressure, lighter than air and settles in pools in high areas.
- In its natural state, natural gas has no odor. For your safety, an odorant has been added.
- Contact with natural gas could burn the skin.
- Natural gas is extremely flammable and hazardous if handled improperly.
- Chemicals known to the state of California to cause cancer, birth defects, or other reproductive harm are created by the combustion of natural gas.
- Your natural gas fire pit is designed to operate on natural gas only, at a pressure of seven inches' water column (7" W.C.) Check with your gas utility for local gas pressure, because in some areas natural gas pressure varies. Also, check with your gas company or with local building codes for instructions to install gas supply line, or call a licensed and qualified installer.
- It is recommended that an ON/OFF manual shut-off valve be installed at the gas supply source:
Outdoors: After the gas line exits outside wall and before quick-disconnect or before gas supply line enters ground.
Indoors: In the branch gas line in an accessible location near the gas supply line.
- Pipe sealing compound or pipe thread tape of the type resistant to the action of natural gas must be used on all male pipe threads. Apply compound or tape to at least the first three to four threads when making a connection.

NATURAL GAS DANGERS AND WARNINGS

- Never store or use gasoline or other volatile substance in the vicinity of this fire table.

Natural Gas Connection

Connect a manual shut-off valve to gas supply line. Apply sealing compound or pipe thread tape of the type resistant to the action of natural gas on all male pipe threads. Connect the end, with the quick release connector, or the natural gas hose to manual shut-off valve at the gas supply.



WARNING

During any high pressure testing of the gas supply piping system at test pressures in excess of ½ psi (3.5 kPa), the appliance and its individual shut-off valve must be disconnected from the gas supply piping system.


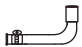



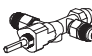
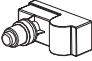





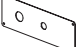




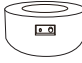
The outdoor fire table must be isolated from the gas supply piping system by closing the individual manual shut-off valve during any pressure testing of the gas supply piping system at least equal to or less than 1/2 psi (3.5 kPa).



WARNING

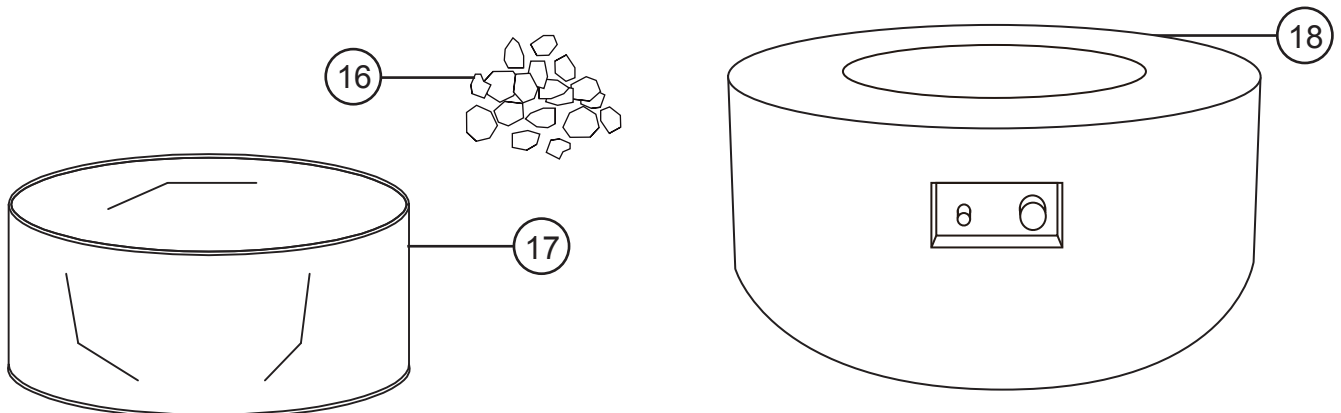
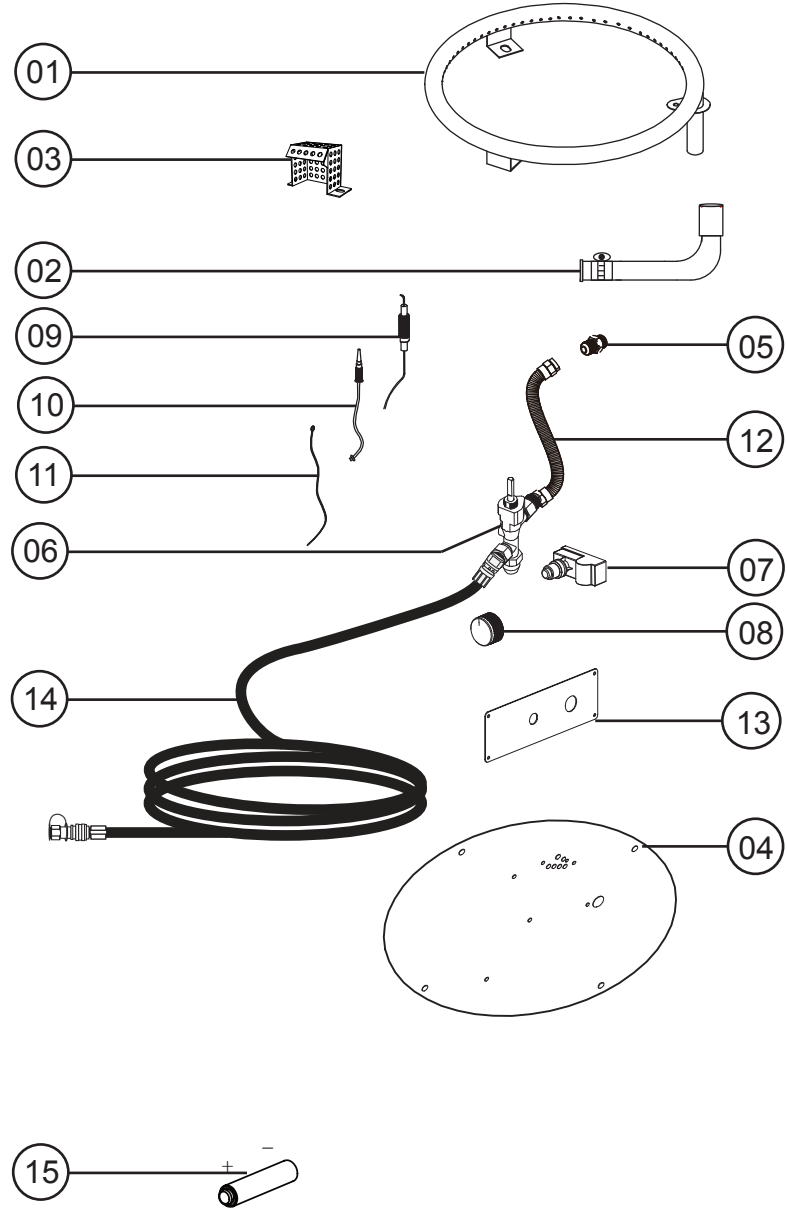
Burner valves are pre-tested at the factory to operate on natural gas. Do not attempt to convert or change.

PARTS LIST

Item	Picture	Description	Qty.
01		Burner Ring	1 pc
02		Air inlet pipe	1 pc
03		Guard	1 pc
04		Burner Pan	1 pc
05		Orifice	1 pc
06		Valve	1 pc
07		Ignitor	1 pc
08		Control Knob	1 pc
09		Thermocouple	1 pc
10		Electrode	1 pc
11		Ground wire	1 pc
12		Corrugated Pipe	1 pc
13		Control Panel	1 pc
14		Natural Gas Hose	1 pc
15		Battery	1 pc
16		Lava Rock	6 kgs
17		Cover	1 pc
18		Fire Pit	1 pc

WARNING

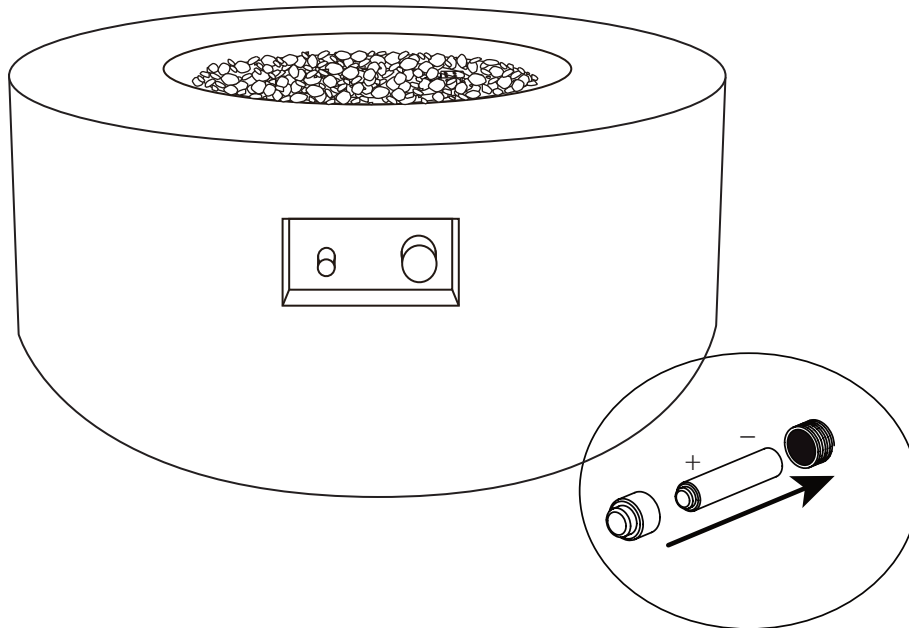
For technical support or replacement parts or missing parts please contact Ocean Rock USA at 800-678-7294.



ASSEMBLY INSTRUCTIONS

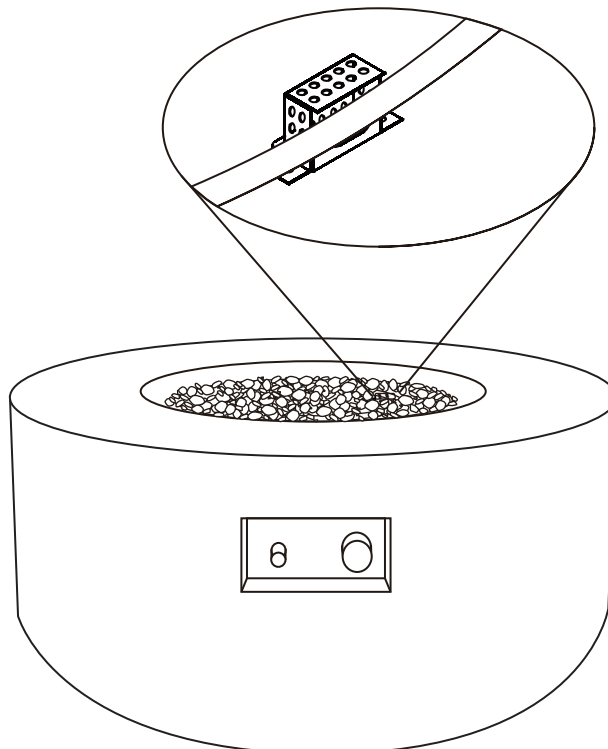
Install the AAA battery as shown in the diagram below. Battery not included.

1



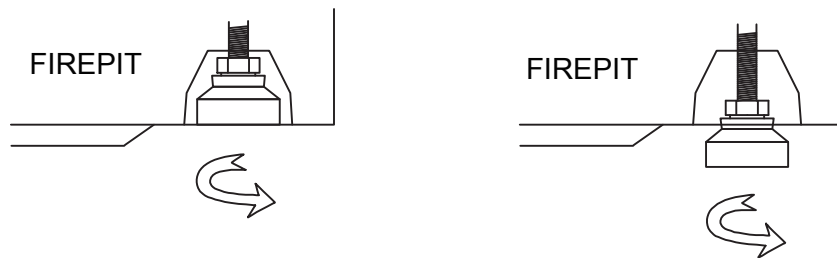
Place lava rock by hand. DO NOT dump bag out in to the tray to avoid clogging the burner with dust. Position the lava rock to a level about 1" above the top of the burner. Make sure that you do not block the igniter box with lava rock to ensure proper ignition.

2



ASSEMBLY INSTRUCTIONS

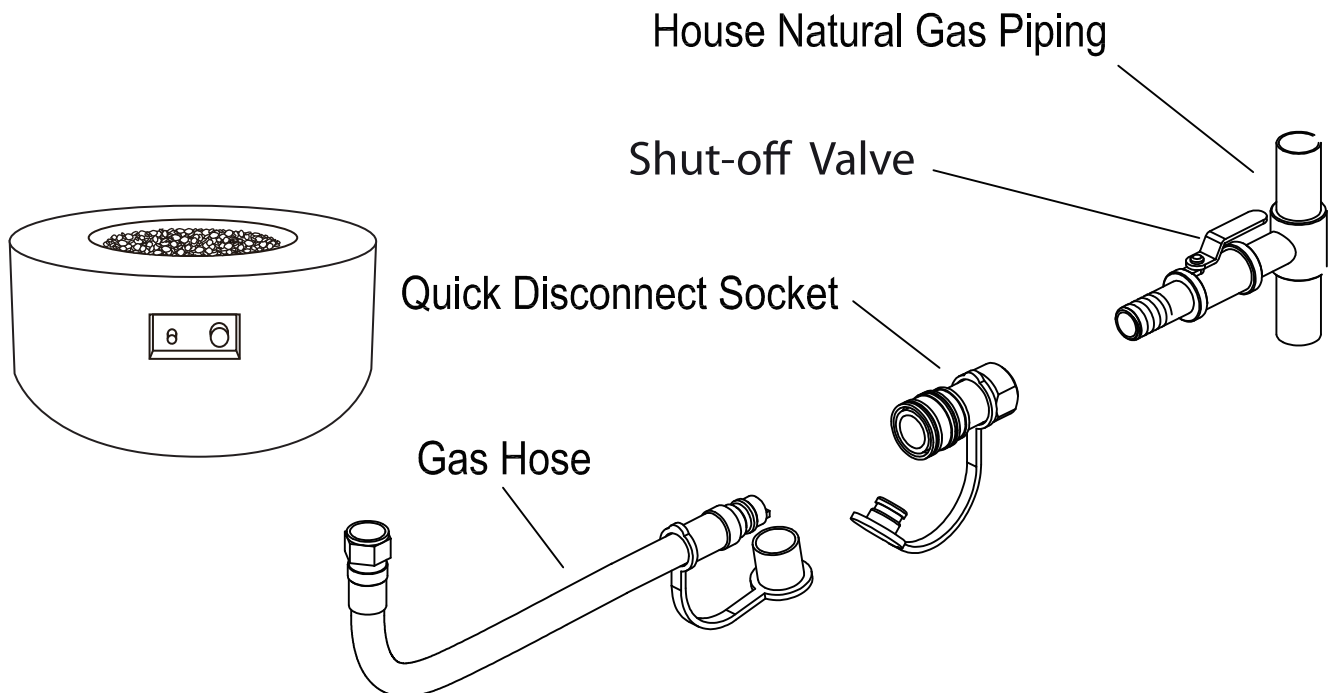
Adjustable feet has pre-installed on the bottom of fire pit already. Please adjust the height of feet to make sure all fire pit was on level always, or increase the height of fire table as your preference. Please make sure the height was safety before you complete.



3

Connecting your Fire Table to the Natural Gas Source

A professionally installed shut-off valve between the supply piping and the socket is recommended by the National Fuel Gas Code. Socket connection must be made outdoors.



ASSEMBLY INSTRUCTIONS

4

Connecting the Socket

Coat the gas supply pipe nipple with gas resistant pipe compound or approved Teflon PTFE tape. Screw socket onto gas supply pipe (house gas source) as shown to the right, and wrench tighten. The quick disconnect socket should never be connected to the fire table. Direction of gas flow is indicated on the socket.



ASSEMBLY INSTRUCTIONS

5

Using the Quick Connect Socket

Pull back the sleeve on the quick disconnect socket and insert the unattached end of the gas hose into the socket. Release the sleeve and continue pushing the hose into the socket until the sleeve snaps into the locked position. After making all connections, perform a leak test as described on page 12 of this manual.



PRE-USE INSTRUCTIONS



WARNING

Before using this outdoor fire table, make sure you have read, understand and are following all information provided in the Important Safety Information section of this manual. Failure to follow those instructions can cause death, serious injury or property damage.

Prior to each gas fireplace operation, check the hose and valve for evidence of excessive abrasion or wear through the visual check hole on the side of the base. Replace visual check cap prior to operating fireplace.

BURNER CONNECTIONS

Make sure the Natural Gas hose and quick disconnect socket connections are securely fastened to the burner and the gas supply. If your unit was assembled for you, visually check the connection between the burner pipe and orifice. Make sure the burner pipe fits over the orifice.



WARNING

Failure to inspect this connection or follow these instructions could cause a fire or an explosion. Failure to position the parts in accordance with these diagrams or failure to use only parts specifically approved with this appliance may result in property damage or personal injury.

Please refer to diagram for proper installation.

If the burner pipe does not rest flush to the orifice please contact Ocean Rock USA at 800-678-7294 for assistance.

Checking for Leaks

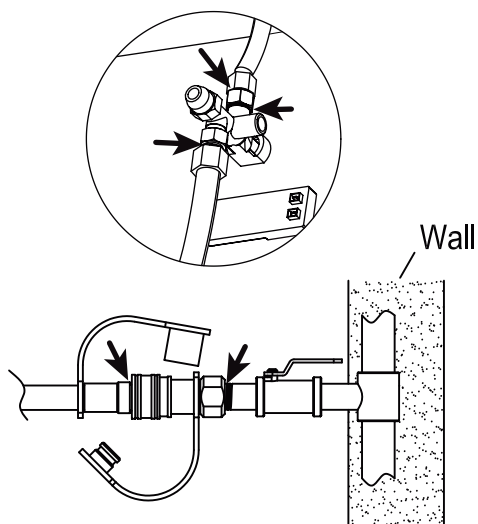
Make a leak check solution by mixing 1-part dishwashing soap with 3 parts water in a spray bottle.

Make sure control knob is "OFF." Then, turn natural gas on at its source.

Spray leak solution on valve connections paying particular attention to the areas indicated by arrows.

If any bubbles appear turn natural gas off, reconnect and re-test. If you continue to see bubbles after several attempts, disconnect natural gas source and contact Ocean Rock USA at 800-678-7294 for assistance.

If no bubbles appear after one-minute turn source OFF, wipe away solution and proceed.



Check for leaks at these locations

LIGHTING INSTRUCTIONS

Using the Ignitor

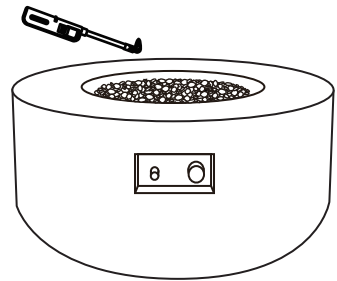
1. Read instructions before lighting.
2. Burner control knob must be in the "OFF" position.
3. Connect natural gas source (see above pages).
4. Open the natural gas supply to the unit.
5. Push and hold igniter button to create sparks.
6. While holding the igniter button with one hand, use your other hand to push and turn the control knob to the "LOW" position to light the burner.
7. If ignition does not occur in 5 seconds, push and turn the Control Knob to "OFF", wait 5 minutes and allow gas to dissipate.
8. Once the burner is lit, continue to hold the knob in for another 20 seconds and release.
9. Observe flame, make sure all burner ports are lit. Flame height should be no higher than 13 inches tall.
10. Adjust flame to desired flame with the control knob.



Keep the lava rock covered and make sure it is dry before igniting.

Using a Long Match or Lighter

1. Prior to lighting, use a shovel to move lava rocks for access to the burner.
2. Wearing heat resistant gloves, position the burning long match or burning butane lighter near the side of the burner. **DO NOT** lean over the fire table while lighting!
3. Turn control knob counterclockwise to "LOW".
4. Remove long match/long butane lighter.
5. After lighting, use a shovel and heat resistant gloves to carefully move the lava rocks back into their proper position.
6. Observe flame, make sure all burner ports are lit. Flame height should be no higher than 13 inches tall.
7. Adjust the flame to the desired height with the control knob.



WARNING

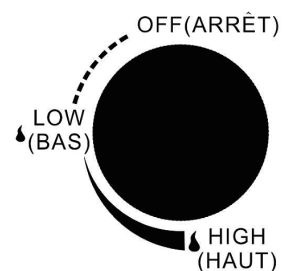
When using this method to light your fire table use heat resistant gloves and follow the step by step instructions. Failure to do so could result in severe injury.



WARNING

If burner flame goes out during operation, immediately turn the control knob "OFF" and let the gas clear a minimum of 5 minutes before attempting to re-light the fire table.

Please refer to the trouble shooting pages for additional support, beginning on page 17.



TURNING OFF

1. Push and turn the control knob clockwise to the "OFF" position.
2. Shut off gas supply at the shut-off valve and disconnect the quick disconnect socket from the main gas supply.

CARE AND CLEANING

Inspecting

This outdoor fire table must be inspected regularly to insure that the product is safe to use and to extend product life.



WARNING

DO NOT inspect this outdoor fireplace until the fire is COMPLETELY out.

1. Check the burner to make sure it is securely in place.
2. Check all gas connections for leaks.
3. Check ignition system to insure proper sparking.
4. Check components for any signs of damage, rust or excessive wear.
5. If damage to any component is detected, DO NOT operate until the proper repairs have been made.



WARNING

DO NOT tamper with this appliance. This is DANGEROUS and will void the warranty. Any part found to be faulty must be replaced with an approved part, confirmed by manufacturer. For technical support contact Ocean Rock USA at 800-678-7294.

General Care and Cleaning

This outdoor fireplace should be cleaned regularly to ensure safe use and extend product life.

Note: After repeated use, a slight discoloration of the finishes may occur.

Table

1. Wipe exterior surfaces with a mild dish washing soap or baking soda, then rinse clean with water.

Stainless Steel

1. For general cleaning use warm water, soap, ammonia, or detergent apply with a soft cloth or Sponge
2. For finger prints or smears use 3M Stainless Steel Cleaner and Polish, Arcal 20, Lac-O-Nu, LuminWash, O'Cedar Cream Polish, or Stainless Shine, this will provide a barrier file to minimize fingerprints.
3. For stubborn stains and discoloration use 3M Stainless Steel Cleaner and Polish, Allchem Concentrated Cleaner, Samae, Twinkle, Cameo Copper Cleaner, Liquid Nu Steel, Copper's or Revere Stainless Steel Cleaner, apply using a soft cloth in the same direction of the polish lines.
4. While using in salt air environments we recommend cleaning all stainless steel surfaces at least every two weeks to keep the item in prime condition. Stainless steel is corrosion-resistant but it is not impervious to rust. Exposure to salt air and sea spray will cause surface rust if you do not care for your products properly. The best thing you can do to protect the stainless steel is to clean it frequently.

* Use of proprietary names is intended only to indicate a type of cleaner and does not constitute endorsement. Omission of any proprietary cleanser does not imply its inadequacy. All products should be used in strict accordance with instructions on package.

Storage



WARNING

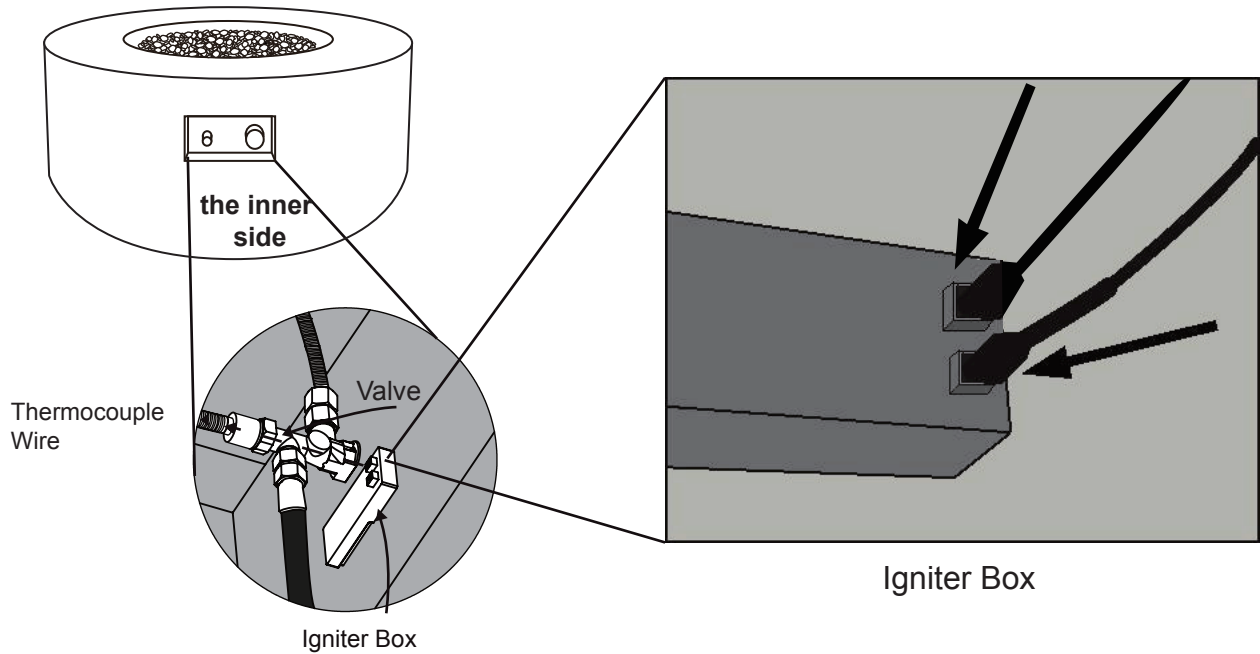
DO NOT move or store this fire table unless the fire is COMPLETELY out and cool to the touch.

1. Turn off the gas supply and disconnect the quick connect valve.
2. Carefully remove rock filler and store components flat to protect them from breakage.
3. ALWAYS cover your outdoor fire table when not in use.
4. Store in a cool, dry location away from children and pets.

GAS COMPONENT CONNECTION CHECKS

If the burner will not light or stay lit, please perform the following checks.

1. Make sure the electrode wire is correctly connected. Both electrode wires must be fully inserted into the igniter box.



2. Make sure that the pilot housing is unobstructed.

Clear any debris on top of the pilot housing and make sure there is no debris between the igniter pin, thermocouple and the burner tube.

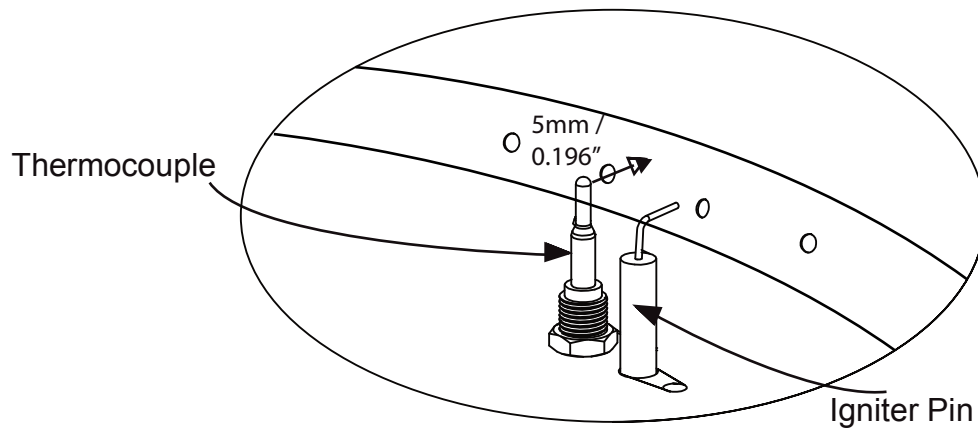


CORRECT

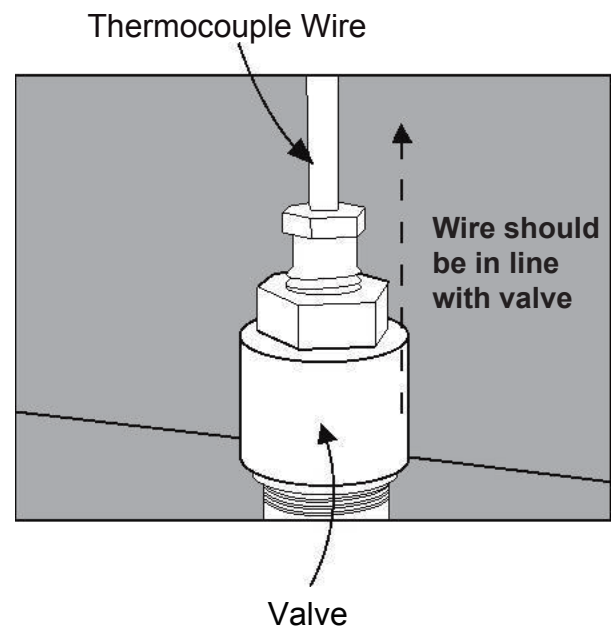
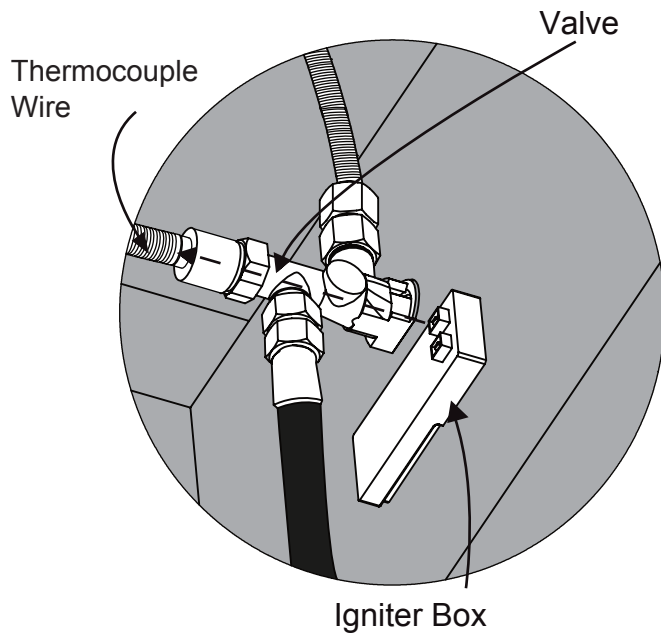


INCORRECT

GAS COMPONENT CONNECTION CHECKS



3. Make sure that the igniter pin and thermocouple are correctly positioned.
- The igniter pin should be pointed straight to the thermocouple.
 - The thermocouple should be positioned 5mm / 0.196" away from the burner tube.



4. Make sure that the thermocouple wire is correctly positioned. The thermocouple wire should be in line with the valve.

TROUBLESHOOTING

Problem: Burner will not light using igniter

Possible Cause 1: Electrode and burners are wet.

-Wipe dry with cloth.

Possible Cause 2: Igniter battery is dead or backwards.

-Check that the AAA battery is inserted correctly in the igniter (see page 8) or replace the battery.

Possible Cause 3: Igniter Pin cracked or broken - sparks at crack.

-Call Ocean Rock USA at 800-678-7294 for technical support.

Possible Cause 4: Wire loose or disconnected.

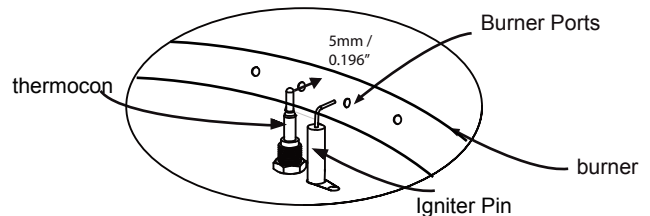
-Reference page 15, step 1, reconnect wire. Call Ocean Rock USA at 800-678-7294.

Possible Cause 5: Wire is shorting (sparking) between igniter and electrode.

-Call Ocean Rock USA at 800-678-7294 for support.

Possible Cause 6: Bad Igniter.

-Call Ocean Rock USA at 800-678-7294 for supporting.



Problem: Burner will not light with match

Possible Cause 1: No Gas Flow.

-Check if Natural Gas supply is stopped. If it is not stopped, refer to "Problem: Sudden drop in gas flow" on the following page.

Possible Cause 2: Quick Connect not fully engaged.

-Disconnect the quick connect at the gas supply and reconnect to ensure a proper connection is made.

Possible Cause 3: Obstruction of gas flow.

- Check for bent or kinked hose.

Possible Cause 4: Burner ports clogged or blocked.

-Reference "Problem: Irregular flame pattern" on the following page.

Clean the burner ports as described there.

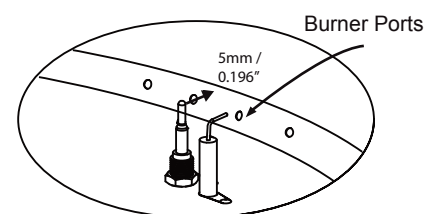
Problem: The Fire Table emits a lot of black smoke when in use

Possible Cause 1: Hose from gas fireplace is pinched.

-Make sure the hose is not pinched between the fire table and the source of the gas.

Possible Cause 2: Flame is being obstructed at burner ports.

-Make sure that the gas ports on the burner are free of any lava rocks so that the flame can flow naturally.



TROUBLESHOOTING

Problem: Sudden drop in gas flow, or a reduced flame height

Possible Cause 1: Out of gas.

-Call your local gas company.

Possible Cause 2: Excess flow safety device may have been activated.

-Turn control knob to "OFF", wait 30 seconds and light outdoor fire table. If flames are still too low reset the excessive flow safety device by turning off the control knob and the gas supply.

Disconnect the quick disconnect socket.

Turn Burner Control Knob to "HIGH". Wait 1 minute.

Turn Burner Control Knob off.

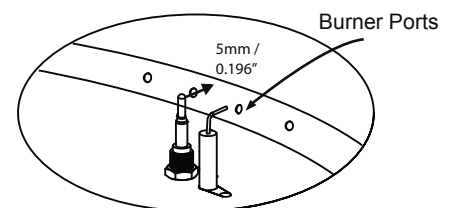
Reconnect the quick disconnect, turn on the main gas supply and perform a leak check at the Natural Gas connection.

Problem: Irregular flame pattern, flame does not run the full length of the burner

Possible Cause: Burner ports are clogged or blocked.

-Clean burner ports. Do this by inserting a paperclip into each of the burner ports to ensure they are not clogged.

WARNING: Make sure burner is not on and the gas supply has been properly disconnected. Allow 15 minutes for unit to cool before touching it.



Problem: Flame blow out

Possible Cause 1: High or gusting winds.

-Increase flame to "HIGH" setting.

Possible Cause 2: Low on Natural gas.

-Call your local gas company.

Possible Cause 3: Excess flow valve tripped.

-Refer to "Problem: Sudden drop in gas flow".

Warranty

Ocean Rock USA INC. warrants fire features and accessories to be free from defects in parts and workmanship under normal use and service for a period of 1 year from the date of purchase. In the event of such defects Ocean Rock will, at its option, repair or replace the defective product. The foregoing is at the discretion of Ocean Rock.

There will be no charge for the replacement parts or product, however it will be the consumer's responsibility to return the product to the original place of purchase.

Ocean Rock will not be responsible for consequential damages in excess of the purchase price of the product on which such liability is based and the warranty does not cover costs including freight, removal and reinstallation.

This warranty is non-transferable and applies only for units that are for non-commercial personal use only.

Under this warranty agreement, all gas lines must be installed by a licensed gas fitter.

Damage caused by shipping, staining and abuse are not covered under this warranty. Dings, dents and scratches, fading and natural weathering are not covered under this warranty. Decorative rock is not covered under this warranty. Improper installations, repair or modifications made by anyone other than Ocean Rock will void this warranty and any damage caused by such is also not covered under this warranty.

Minor chipping, weather fading, water staining and non-structural hairline cracks are typical of the material of this product and are not covered under this warranty. Some color and texture variation is typical of the material and finish for this product and is not covered under this warranty.

Cast concrete is a hand finished process. As such, this product's finish will vary by unit. There will be a color variance of up to 15% in each unit. There may also be uneven texture or pattern as well as small holes in the surface caused by air or water trapped on the surface during casting. This is a normal trait of cast concrete and is not covered under warranty.

MODENO

Ocean Rock USA INC.

692 Parkridge Ave Norco, CA 92860, USA

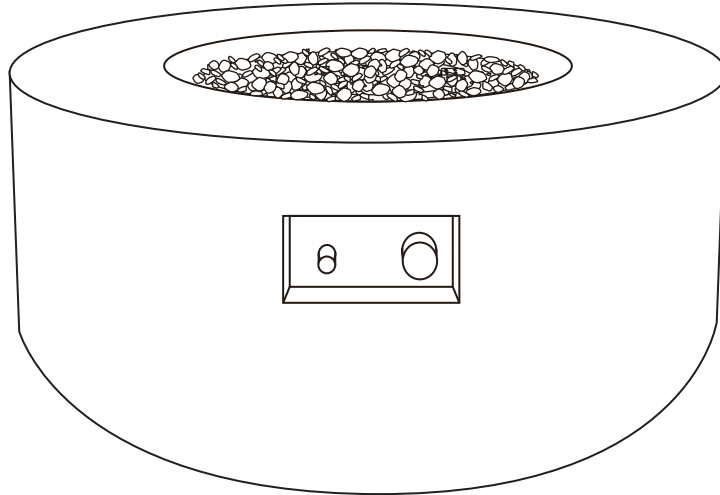
www.oceanrockusa.com

info@oceanrockusa.com

Tel: 800-678-7294

MODENO

Venice Fire Table / Tramore Fire Table



OFG113NG , OFG132NG

Manual del Propietario
Tipo de gas: Gas natural



IMPORTANTE

INSTALADOR: Deje este manual con el aparato.
CONSUMIDOR: Conserve este manual para futuras referencias.



ADVERTENCIA

No almacene o utilice gasolina u otros líquidos inflamables con vapores en las cercanías de este dispositivo. Esta unidad no es para uso con propano. Utilizar solo con gas natural.



ADVERTENCIA

• Si no sigue exactamente la información contenida en este manual, puede producirse fuego o una explosión pudiendo causar daño a la propiedad o incluso la muerte.

• La instalación y mantenimiento deben ser realizados por un técnico capacitado, una empresa de mantenimiento o el proveedor de gas.

• Instalación, ajustes, modificaciones, servicio o mantenimiento impropio puede causar heridas personales o daños a la propiedad.

• Lea las instrucciones de instalación, operación y mantenimiento detenidamente antes de instalar o dar servicio a este equipo.

• Guarde estas instrucciones para futuras referencias. Si esta ensamblando esta unidad para otra persona dele este manual para que lo lea y lo guarde.



DANGER

PELIGRO DE INCENDIO O EXPLOSIÓN

Si huele a gas:

- Corte el suministro de gas del dispositivo.
- Apague cualquier llama encendida.
- Si el olor continúa, abandone el área inmediatamente.
- Después de salir del área, llame a su proveedor de gas o al departamento de bomberos.

El no seguir estas indicaciones pueden causar la muerte, lesiones graves o daños a la propiedad.



ADVERTENCIA



Únicamente para uso al aire libre.


La instalación y el servicio deben ser realizados por un instalador calificado, una agencia de servicio o el proveedor de gas.





ÍNDICE


Información Importante de Seguridad	3
Peligros y Advertencias sobre Gas Natural	5
Listado de Partes	7
Instrucciones Previas al uso	12
Instrucciones de Encendido	13
Cuidado y Limpieza	14
Revisión de las Conexiones del Gas	15
Solución de problemas	17
Garantía	19

 PELIGRO	PELIGRO DE MONÓXIDO DE CARBONO PELIGRO
	Este dispositivo puede producir monóxido de carbono, el cual es inodoro . Su uso en espacios cerrados puede producir la muerte. Nunca use este dispositivo en espacios cerrados como una tienda, carpas o casa.

 **ADVERTENCIA:** Este producto puede exponerle a Dióxido de Carbono, del que es sabido por el Estado de California como causante de defectos en el nacimiento y otros daños reproductivos. Para más información visite: www.P65Warnings.ca.gov.

 **ADVERTENCIA:** Este producto puede exponerle a di-"isononilo" (DINP), del que es sabido por el Estado de California como causante de defectos en el nacimiento y otros daños reproductivos. Para más información visite: www.P65Warnings.ca.gov.

 **ADVERTENCIA:** Este producto puede exponerle a butilbencilftalato (BBP) / Di-n-butil ftalato (DBP), del que es sabido por el Estado de California como causante de defectos en el nacimiento y otros daños reproductivos. Para más información visite: www.P65Warnings.ca.gov.

 **ADVERTENCIA:** Este producto puede exponerle a plomo / Di(2-etilhexil)ftalato (DEHP), del que es sabido por el Estado de California como causante de defectos en el nacimiento y otros daños reproductivos. Para más información visite: www.P65Warnings.ca.gov.

INFORMACION IMPORTANTE DE SEGURIDAD



ADVERTENCIA

LA MESA DE FUEGO ES PARA USO EXCLUSIVO DE EXTERIOR

SI USTED HUELE GAS:

- Apague el suministro de gas a la mesa de fuego.
- Apague cualquier llama encendida.
- No intente encender ningún dispositivo.
- No toque ningún interruptor eléctrico; no utilice ningún teléfono en su edificio.
- Llame inmediatamente a su proveedor de gas desde el teléfono de un vecino.
- Siga las Instrucciones del proveedor de gas.
- Si no puede contactarse con el proveedor de gas, llame a la estación de bomberos.

La instalación y reparación debe ser realizada por un técnico de servicio calificado. El aparato debe ser inspeccionado antes de su uso y al menos una vez por una persona de servicio calificada. Limpieza más frecuente puede ser requerida según sea necesario. Es imperativo que el compartimiento de control, los quemadores y el aire en circulación Los pasillos del aparato se mantienen limpios.

- **Advertencia:** Siempre cierre el suministro de gas en la válvula de cierre y desconecte la toma de conexión rápida del el suministro principal de gas cuando la tabla de fuego no está en uso.
- **Advertencia:** La instalación y servicio deben ser realizadas por un instalador calificado, una agencia de mantenimiento o el suplidor de gas.
- **Advertencia:** El no seguir las precauciones y advertencias dadas por el departamento de bomberos puede resultar en serias lesiones corporales, la muerte o en un fuego u explosión que cause daños a la propiedad.
- **Aviso:** El uso e instalación de este producto debe cumplir con los códigos locales, o en ausencia de códigos locales con el Código Nacional de Gas Combustible, ANSI Z223.1 • NEPA 54; Código de Gas Natural de Combustible; Código de instalación de gas natural y propano, CSA B149.1; o código de almacenamiento y manejo de propano B149.2; Este aparato cumple con ANSI Z21.97-2017 • CSA2.41-2017 Aparatos de Gas Decorativos al Aire Libre.
- **Distancia mínima entre la unidad y los materiales combustibles:**
72 "(182.9cm) menos la altura del artefacto desde la parte superior;
48 "(121.9 cm) desde todos los lados y hacia atrás.
- No situé esta mesa de fuego debajo de ningún lugar cerrado.
- La presión mínima de suministro de gas natural de entrada: 3.5 " w.c. (0.87kPa).
La presión máxima de suministro de gas natural de entrada: 10.5 " w.c. (2.61kPa).
- La presión del colector de este aparato es de 7 " w.c. (1.74kPa).
- Utilice siempre esta mesa de fuego de exteriores sobre una superficie nivelada dura y no combustible, como concreto, roca o piedra.No es aceptable una superficie de asfalto para estos propósitos. Superficies tales como tierra y la hierba pueden impedir que la unidad tenga una ventilación adecuada.
- Esta mesa de fuego y su válvula de cierre individual deben ser desconectadas de las tuberías del suministro de gas durante cualquier prueba de presión de este Sistema, a presiones de prueba superiores de 1-2 psi (3.5kPa).
- Este dispositivo debe estar aislado del sistema de tuberías de suministro de gas cerrando la manual de válvula de cierre individual durante cualquier prueba de presión del sistema de tuberías de suministro de gas a presiones iguales o menores que 1/2 psi (3,5 kPa).
- Guarde estas instrucciones para futuras referencias. Si está ensamblando esta unidad para otra persona, entregue este manual a esa persona para futuras referencias.
- Esta mesa de fuego es para uso exclusivo de exteriores en un espacio conveniente ventilado y NO debe usarse dentro de un edificio , garaje o cualquier otro tipo de espacio cerrado.

INFORMACION IMPORTANTE DE SEGURIDAD

- NO UTILICE esta mesa de fuego de exteriores para calefacción. Vapores tóxicos de monóxido de carbono pueden acumularse y causar asfixia.
- NUNCA DEJE esta mesa de fuego desatendida mientras esté en funcionamiento.
- Esta mesa de fuego NO debe ser operada por niños. Los niños deben ser supervisados cuando se encuentren en la cercanía de esta mesa de fuego de exteriores.
- NO almacene o use gasolina u otros vapores y líquidos inflamables dentro de una distancia de 25 pies (7.62m) de este dispositivo.
- NO almacene materiales combustibles en el compartimiento de la base.
- NO USE en una atmósfera explosiva. Mantenga el área de la mesa de fuego a gas limpia y libre de materiales combustibles, gasolina y otros vapores inflamables y líquidos.
- Esta mesa de fuego NO debe ser operada por niños. Los niños deben ser supervisados cuando se encuentren en la cercanía de esta mesa de fuego de exteriores.
- Esta mesa de fuego de exteriores no debe ser instalada o utilizada dentro o encima de vehículos recreativos y/o botes.
- Utilice siempre de acuerdo con los códigos locales, estatales y nacionales aplicables. Contacte su departamento de bomberos local para más información sobre la quema al aire libre.
- Utilice siempre las mismas precauciones que usted utilizaría con cualquier fuente de fuego al usar esta mesa de fuego de exteriores.
- NO queme en esta mesa de fuego de exteriores combustibles sólidos tales como: madera, briquetas de carbón, carbón en trozos, leña prefabricada, madera flotante, basura, hojas, papel, papel cartón, madera contrachapada, madera pintada, teñida o tratada a presión en esta mesa de fuego de exteriores.
- NO utilice esta mesa de fuego de exteriores hasta que esté completamente ensamblada y todas sus partes ajustadas y aseguradas.
- NO utilice esta mesa de fuego de exteriores cerca de automóviles, camiones, minibuses o vehículos recreacionales.
- NO utilice esta mesa de fuego de exteriores bajo ninguna estructura cerrada o cerca de construcciones combustibles sin protección. Evite su utilización cerca o bajo arbustos o árboles colgantes.
- El consumo de alcohol o drogas prescritas o no prescritas puede afectar la capacidad de un individuo para ensamblar o utilizar de manera segura esta mesa de fuego para exteriores.
- NO utilice esta mesa de fuego de exteriores si cualquier parte ha estado bajo el agua. Llame inmediatamente a un servicio técnico cualificado para que inspeccione la mesa de fuego de exteriores y reemplace cualquier parte o sistema que haya estado bajo el agua.
- NO vista ropa inflamable o suelta cuando esté utilizando esta mesa de fuego de exteriores.
- NO utilice en condiciones climáticas de vientos fuertes.
- Mantenga todo el cable eléctrico alejado de la mesa de fuego de exteriores cuando esté caliente.
- Ciertas áreas de la mesa de fuego de exteriores al utilizarse se calientan demasiado al tacto. No toque las superficies calientes hasta que se haya enfriado el dispositivo, a menos que esté usando un equipo de protección adecuado como agarradores de recipientes o guantes resistentes al calor para evitar quemaduras.
- NO cuelgue o coloque vestuario u otros materiales inflamables eno cerca de la mesa de fuego agas.
- Cualquier protector u otro dispositivo de protección retirado por el servicio de la mesa de fuego deben ser reemplazados antes de hacer funcionar la mesa de fuego.
- NO intente mover o almacenar la mesa de fuego de exterior hasta que todas sus partes se encuentren frías.
- NO se apoye en esta mesa de fuego de exteriores mientras la encienda o utilice.
- Use solo la toma de conexión rápida y la manguera de gas natural de ensamblaje proporcionada. El repuesto de la toma de conexión rápida y la manguera de gas natural de ensamblaje deberá ser la especificada por el fabricante.

INFORMACION IMPORTANTE DE SEGURIDAD

- NO intente desconectar la toma de conexión rápida del gas natural del tanque o cualquier conexión de gas natural de la mesa de fuego de exteriores mientras esta se encuentra en uso.
- NO se sienta en la mesa de fuego cuando esta unidad esté en uso.
- NO lance nada al fuego mientras la unidad se encuentre en funcionamiento.
- Las rocas de lava son capaces de alcanzar altas temperaturas, por favor mantenga niños y mascotas alejados a una distancia segura.
- Es esencial mantener el compartimiento de la válvula de gas, los quemadores y los pasajes de ventilación de la mesa de fuego de exteriores limpios y despejados. Inspeccione la mesa de fuego de exteriores antes de cada uso.
- Antes de cada operación de la mesa de fuego revise la manguera en búsqueda de señales de desgaste excesivo, mirando a través del orificio de inspección visual. Si la manguera se encuentra desgastada, cortada o con grietas esta debe ser reemplazada antes de usar la mesa de fuego a gas. La manguera de ensamblaje solo puede ser reemplazada por la especificada por el fabricante. Llame al Ocean Rock USA al 800-678-7294. Antes de cada uso retire las piedras volcánicas, examine el quemador y sus componentes. En caso de estar sucios, limpie con un cepillo suave y una solución de agua con jabón. Examine el área alrededor del quemador, cualquier suciedad o material extraño como telarañas o nidos de pájaros deben ser retirados. Si es evidente que el quemador se encuentra dañado la mesa de fuego no debe ser usada. El quemador original no puede ser reemplazado. Por favor contáctese con Ocean Rock USA al 800-678-7294 para soporte técnico.
- Coloque la manguera fuera de lugares donde la gente pueda tropezar. No coloque la manguera en lugares donde pueda ser sometido a daño accidental.



ADVERTENCIA

Esta mesa de fuego para exterior es para utilizar únicamente con gas natural .

La conversión o el intento de usar esta mesa de fuego para exterior con propano líquido constituye un peligro y podría causar lesiones graves o daños a la propiedad.

ATENCIÓN: Cualquier alteración a la mesa de fuego de exteriores no especificada en el manual anulara la garantía del producto.

GAS NATURAL PELIGROS Y ADVERTENCIAS

El gas NA es inflamable y peligroso si es manejado inapropiadamente. Infórmese sobre las características antes de usar cualquier producto que utilice gas natural.

Características del Gas Natural

- Inflamable, explosivo bajo presión, más liviano que el aire y se acumula en las zonas altas.
- En su estado natural el gas natural no tiene olor. Para su seguridad , un odorante ha sido añadido.
- El contacto con el gas natural puede causar quemaduras a la piel.
- El gas natural es extremadamente inflamable y peligroso si es manejado de forma inapropiada.
- Químicos conocidos en el estado de California como causantes de cáncer, defectos de nacimiento, u otros daños reproductivos son creados por la combustión de gas natural.

GAS NATURAL PELIGROS Y ADVERTENCIAS

- Tu mesa de fuego de gas natural fue diseñada para operarse exclusivamente con gas natural, a una presión de 7 pulgadas de columna de agua (presión). Verifica con tu proveedor de gas por la presión local de gas porque en algunas áreas la presión de gas natural puede variar. También verifica con tu compañía de gas o con el departamento de códigos locales por las instrucciones para instalar la línea del suministro de gas, o llama a un instalador calificado con licencia.
 - Se recomienda que una válvula de corte manual de encendido / apagado se instale en la fuente de suministro de gas:
 - **Al aire libre:** después que la línea de gas salga fuera de la pared y antes de desconexión rápida o antes que la línea del suministro de gas entra en tierra.
 - **En el interior:** el conducto de gas debe estar en un lugar accesible cerca de la línea de suministro de gas.
 - El sellado compuesto para pipas o la cinta para roscas de tubería del tipo resistente a la acción del gas natural debe ser utilizado en todas las roscas macho de las pipas. Aplique el compuesto o la cinta para al menos las primeras tres a cuatro roscas al realizar una conexión.
- Nunca almacene o use gasolina u otra sustancia volátil cerca de la mesa del fuego.

Conexión del Gas Natural

Conecte una válvula de cierre manual a la línea de suministro de gas. Aplique sellado compuesto o la cinta para roscas de tubería del tipo resistente a la acción del gas natural en todas las roscas macho del tubo. Conecte el extremo, con el conector de la toma de conexión rápida, o la manguera de gas natural a la válvula de cierre manual en el suministro de gas.



PRECAUCION

Durante cualquier prueba de alta presión del sistema de tuberías de suministro de gas una presión de prueba en exceso de 1/2 psi (3,5 kPa), el aparato y su válvula de cierre individual deben desconectarse del sistema de tubería de suministro de gas.





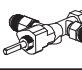





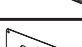




La mesa de fuego para exteriores debe aislarse del sistema de tuberías de suministro de gas cerrando la válvula de cierre manual individual durante cualquier prueba de presión del sistema de tuberías de suministro de gas por lo menos igual o inferior a 1/2 psi (3,5 kPa).



PRECAUCION

las válvulas del quemador previamente probadas en la fábrica para funcionar con gas natural. No intente convertir o cambiar.

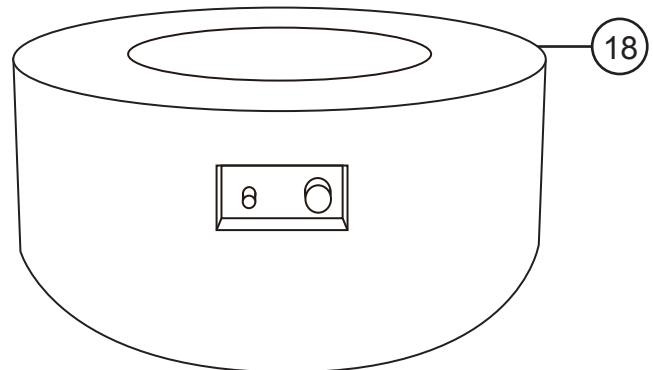
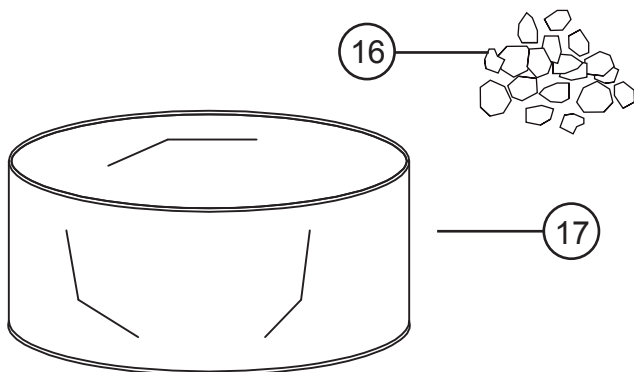
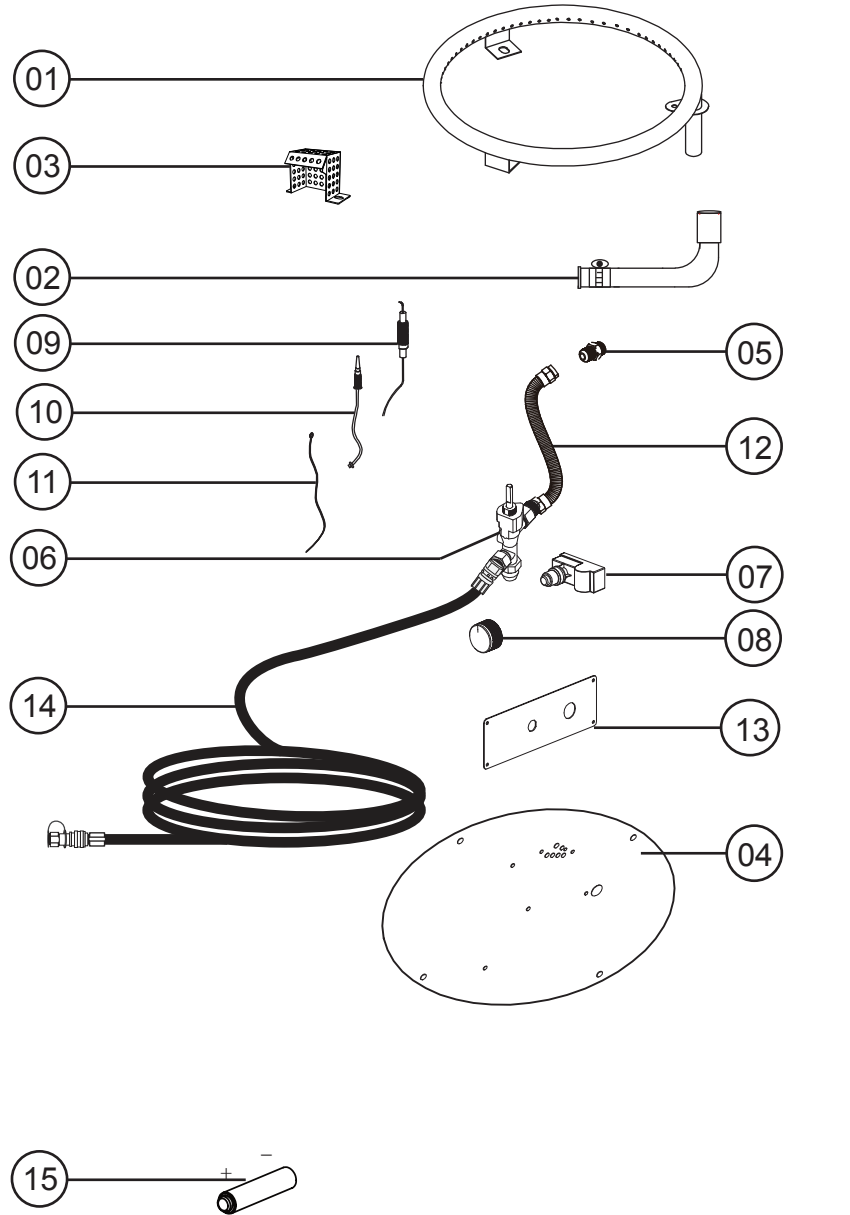
LISTA DE PARTES

Artículo No.	Imagen	Descripción	Cantidad
01		Quemador	1 pieza
02		Tubo de entrada de aire	1 pieza
03		Guardia	1 pieza
04		Cuenco de fuego	1 pieza
05		Orificio	1 pieza
06		Válvula	1 pieza
07		Ignitor	1 pieza
08		Perilla de control	1 pieza
09		Par termoeléctrico	1 pieza
10		Electrodo	1 pieza
11		Cable de tierra	1 pieza
12		Tubo corrugado	1 pieza
13		Panel de control	1 pieza
14		Regulador LP y manguera	1 pc
15		Batería	1 pieza
16		Roca de lava	6 kgs
17		Cubrir	1 pieza
18		Pozo de fuego	1 pieza



ADVERTENCIA

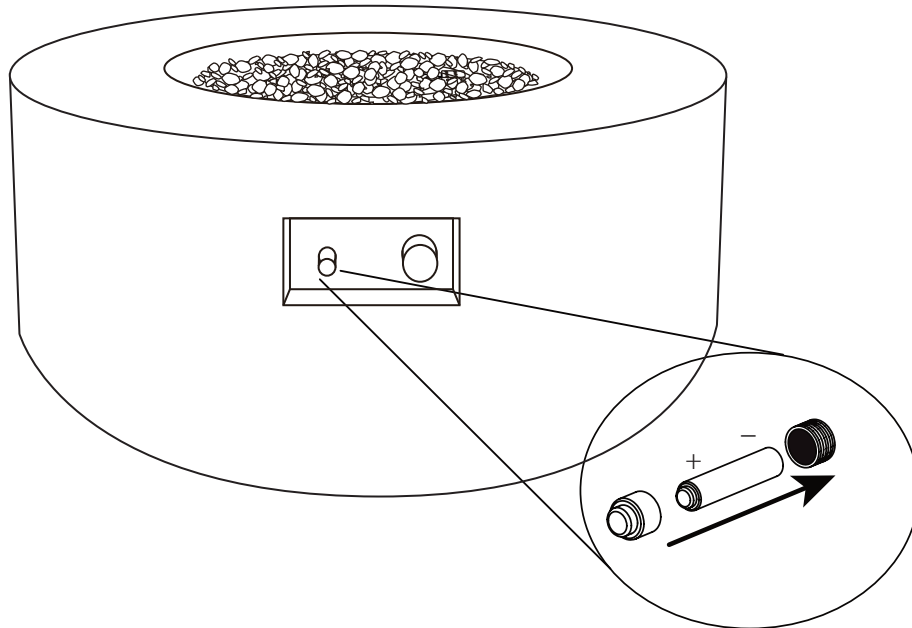
Para obtener asistencia técnica, piezas de repuesto o piezas faltantes, póngase en contacto con Ocean Rock USA al 800-678-7294.



INSTRUCCIONES DE INSTALACION

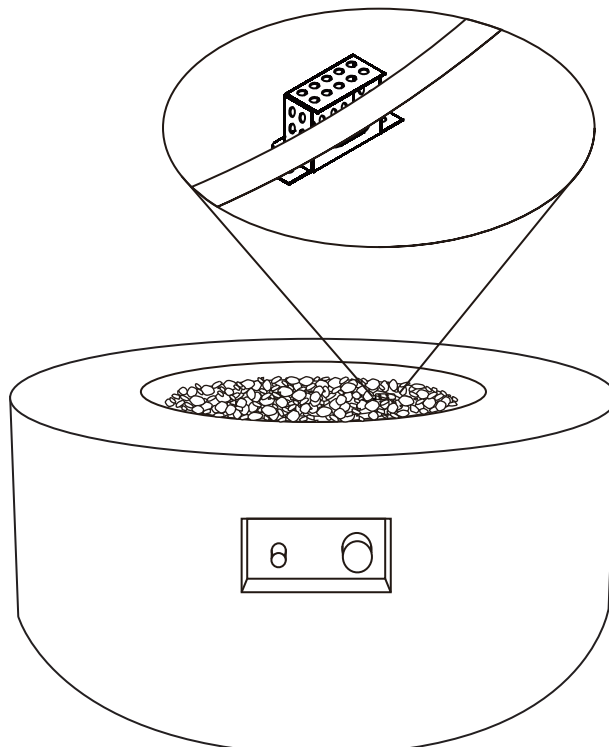
Instale la batería AAA como se demuestra en el diagrama de abajo. Batería no incluida.

1



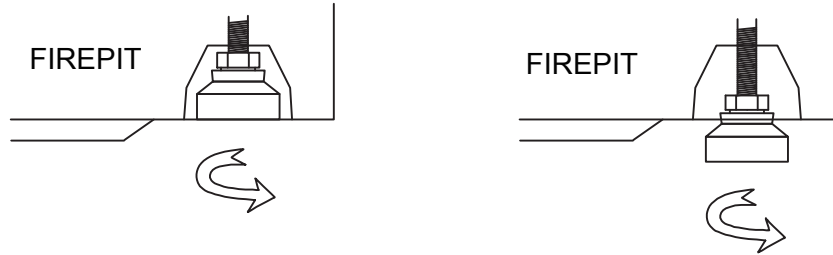
Coloque las rocas volcánicas manualmente. NO lance las rocas directamente desde la bolsa a la bandeja para evitar tapan los quemadores con polvo. Posicione las rocas volcánicas a un nivel de 1" por encima del quemador. Asegúrese que no haya bloqueado la caja de encendido con.

2



INSTRUCCIONES DE INSTALACION

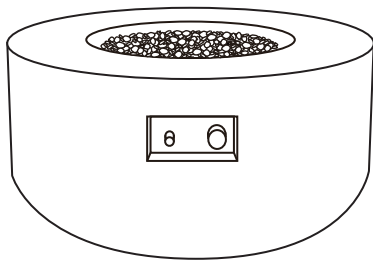
Los pies ajustables ya han sido preinstalados en el fondo del fogón. Por favor, ajuste la altura de los pies para asegurarse de que todos los fogones estén en nivel siempre, o aumente la altura de la mesa de fuego como prefiera. Por favor, asegúrese de que la altura sea segura antes de completar.



3

Cómo conectar la mesa de fuego a la fuente de gas natural

El Código nacional de gas combustible recomienda contar con una válvula de cierre de instalación profesional entre la tubería de suministro y la toma. La conexión de la toma deberá realizarse en exteriores.

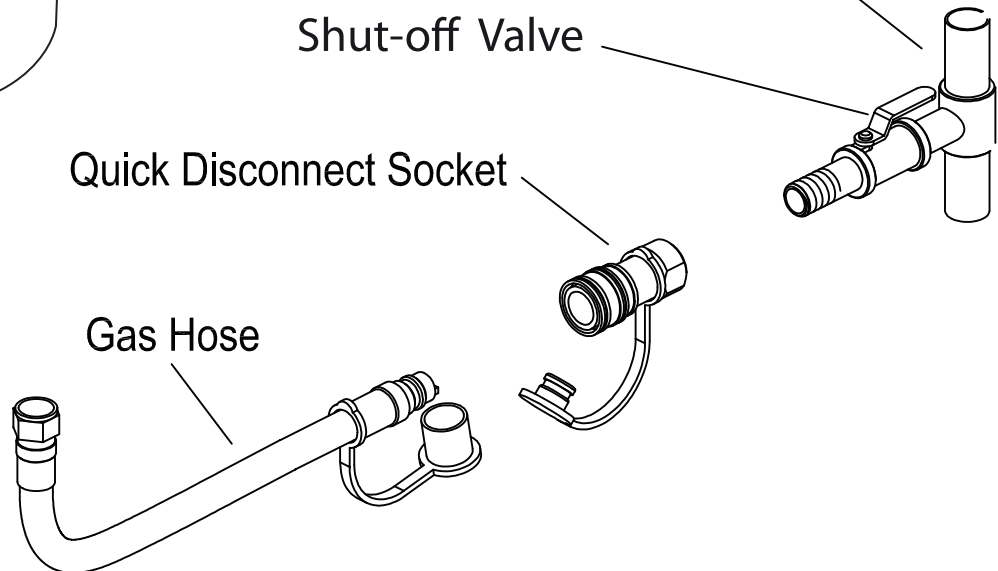


House Natural Gas Piping

Shut-off Valve

Quick Disconnect Socket

Gas Hose

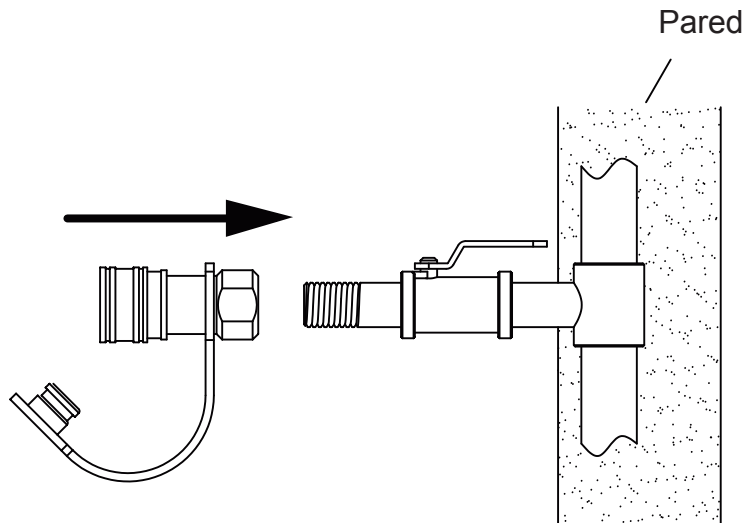


INSTRUCCIONES DE INSTALACION

4

Conexión de la toma

Cubra la entrerrosca del tubo del suministro de gas con un compuesto de tubería resistente a gas o cinta de teflón PTFE aprobado. Atornille la toma de desconexión rápida en el tubo de suministro de gas (cámara fuente de gas) como se muestra abajo y apriételo. La toma de desconexión rápida no debe estar enchufada a la mesa de fuego. Dirección de flujo de gas se indica en la toma.

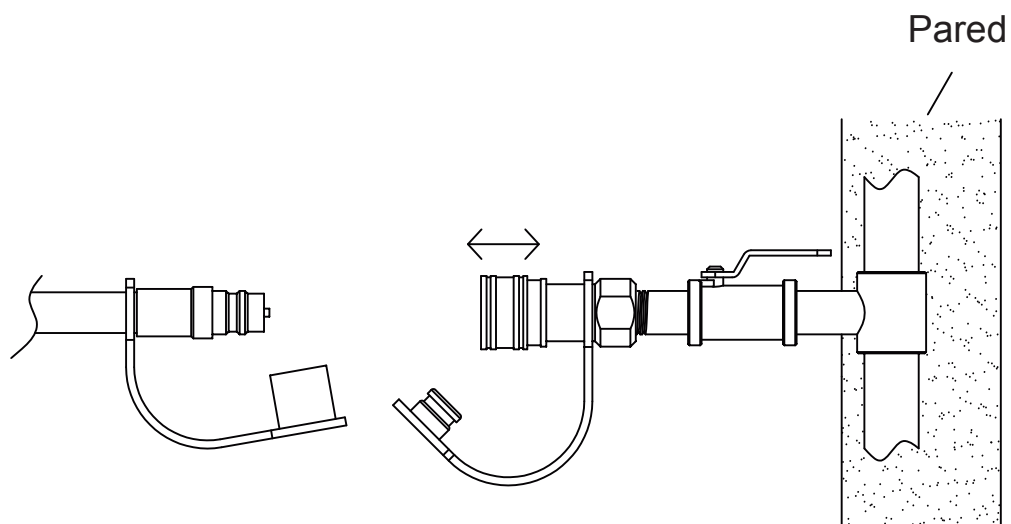


INSTRUCCIONES DE INSTALACION

5

Usando la toma de connexion rapida

Retire la cubierta de la toma de desconexión rápida e inserte el extremo libre de la manguera de gas en la toma. Suelte el manguito y continúe empujando la manguera en la toma hasta que el manguito de encaje en la posición de bloqueo. Después de hacer todas las conexiones, realice una prueba de fuga como se describe en la página 12 de este manual.



INSTRUCCIONES PREVIAS AL USO



ADVERTENCIA

Antes de usar la mesa defuego para exteriores asegúrese de que haya leído, comprendido y s eg uido toda la información contenida en la sección de información importante de seguridad en este manual. El no seguir estas indicaciones pueden causar la muerte, lesiones gra ves o daños a la propiedad.

Antes de cada uso de la mesa de fuego revise la manguera y la válvula en busca indicios de abrasión o desgaste excesivo a través de un examen visual del orificio desde al lado de la base. Reemplace la tapa de inspección visual antes de encender la mesa de fuego. Ponga los implementos en su lugar previo a utilizar el dispositivo.

CONEXIONES DEL QUEMADOR

Asegúrese que la válvula del regulador y las conexiones de la manguera estén justadas de manera segura al quemador y al tanque En caso de que su unidad haya sido ensamblada por usted, revise visualmente la conexión entre la tubería del quemador y el orificio. Asegúrese que las tuberías del quemador calzan sobre elorificio.



ADVERTENCIA

Falta de inspección de esta conexión o no seguir estas instrucciones podrían causa r un incendio o una explosión , pudiendo causar la muerte , lesiones corporales graves o daños a la propiedad.

Por favor refiérase aldiagrama para una correcta instalación .
Si latubería del quemador no queda alineada a la del orificio.
Por favor contacte al Ocean Rock USA al 800-678-7294 para asistencia.

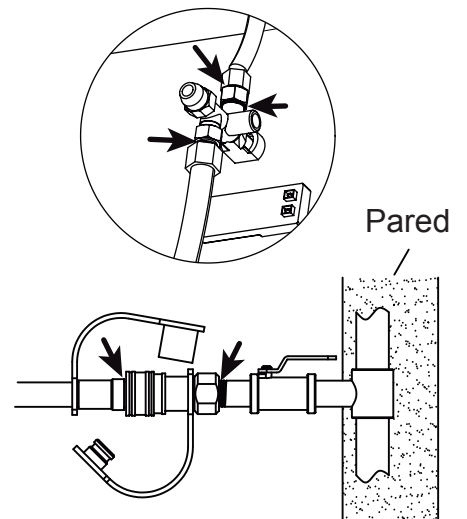
DETECTANDO FUGAS

Haga una solución de detección de fugas mezclando una parte de jabón líquido de lava platos con tres partes de agua en una botella de spray. Asegúrese que la perilla del control se encuentra en apagado (OFF). Después cambie el tanque de gas LP a encendido con el botón de encendido (ON) en la válvula.

Rocíe la solución en las conexiones de las válvulas prestando especial atención en las áreas indicadas por las flechas. En caso que aparezca cualquier burbuja, apague el tanque de gas LP con el botón de apagado (OFF), reconecte y pruebe nuevamente.

Si usted continúa viendo burbujas tras de varios intentos, desconecte el suministro de gas y contáctese con Ocean Rock USA al 800-678-7294 para recibir asistencia.

Si no aparecen burbujas después de un minuto, apague el tanque con el botón de apagado (OFF), limpie los residuos y continúe.



Busque fugas en estos lugares

INSTRUCCIONES DE ENCENDIDO

Uso del encendedor

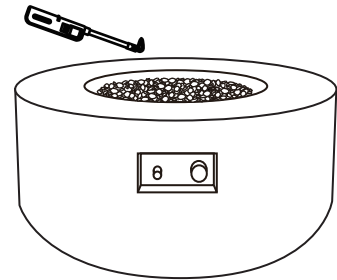
1. Lea las instrucciones antes de encender.
2. La perilla de control del quemador debe estar en la posición de APAGADO(OFF).
3. Conecte la fuente de gas natural (vea las páginas anteriores).
4. Abra el suministro de gas natural a la unidad.
5. Presione y mantenga presionado el botón de encendido para generar chispas.
6. Mientras sostiene el botón del encendedor con una mano, use la otra mano para girar el botón de control a la posición de encendido y encender el quemador.
7. Si la ignición no se produce en 5 segundos, presione y gire la perilla de control a "OFF", espere 5 minutos y permitir que el gas se disipe.
8. Una vez que el quemador esté encendido, continúe presionando la perilla por otros 20 segundos y luego suéltelo.
9. Observe la llama y asegúrese de que todos los orificios del quemador están encendidos. La altura de la llama no lo hace. Debe exceder las 13 pulgadas.
10. Ajuste la llama a la altura deseada con la perilla de control.



Mantenga cubierta la roca de lava y asegúrese de que esté seca antes de encender.

Usando un cerillo largo o un encendedor

1. Antes del encendido, utilice una pala para mover las rocas volcánicas para tener acceso al quemador.
2. Utilizando guantes resistentes al calor, ponga el cerillo o el encendedor prendido cerca de los quemadores. NO se incline en la mesa de fuego mientras enciende el dispositivo.
3. Presione y gire el control a la posición de encendido "LOW", para encender el quemador.
4. Remueva la cerilla larga o el encendedor.
5. Después de encendido, utilice una pala y guantes resistentes al calor para mover cuidadosamente las rocas volcánicas a su posición original.
6. Observe la llama, asegúrese que todos los puertos del quemador se encuentran encendidos. La altura de la llama no debería superar las 13 pulgadas de alto.
7. Ajuste la llama a la altura deseada con la perilla de control.



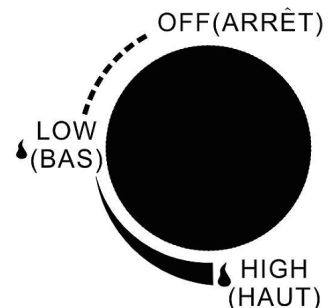
ADVERTENCIA

Quando utilice este método para encender su mesa de fuego utilice guantes resistentes al calor y siga las Instrucciones paso a paso. El no hacerlo puede desencadenar graves lesiones.



ADVERTENCIA

Si la llama del quemador se apaga durante la operación, inmediatamente gire la perilla de control a la posición de apagado (OFF) y deje que el gas se disperse al menos 5 minutos antes de intentar nuevamente encender la mesa de fuego.



Por favor refiérase a la sección de solución de problemas para información adicional, empezando en la página 17.

ILUMINACIÓN

1. Gire y empuje la perilla de control en el sentido de las agujas del reloj hasta la posición "OFF".
2. Cierre el suministro de gas en la válvula de cierre y desconecte la toma de desconexión rápida del suministro de gas principal.

CUIDADO Y LIMPIEZA

Inspección

Esta mesa de fuego de exteriores debe ser inspeccionada regularmente para asegurar que el producto es seguro en su funcionamiento y para extender la vida útil del producto.



ADVERTENCIA

NO inspeccione el dispositivo hasta que el fuego se haya extinguido.

1. Revise el quemador para asegurarse que se encuentra firmemente en su lugar.
2. Revise todas las conexiones de gas buscando fugas
3. Revise el sistema de encendido para asegurar que el chispero funcione correctamente.
4. Revise los componentes buscando cualquier signo de deterioro, óxido o cualquier desgaste excesivo.
5. Si se detecta cualquier tipo de daño en los componentes, NO utilice el dispositivo hasta que se hayan realizado las reparaciones apropiadas.



ADVERTENCIA

NO interfiera o manipule este dispositivo. Esto es peligroso y anularía la garantía. Cualquier parte que se encuentre defectuosa debe ser reemplazada con una parte autorizada por el fabricante. Póngase en contacto con el Ocean Rock USA al 800-678-7294 para obtener asistencia técnica.

Cuidado general y limpieza

Esta mesa de fuego de exteriores debe ser limpiada regularmente para así asegurar la seguridad de su uso y extender la vida del producto.

Nota: Después de un uso extendido con el tiempo es posible que ocurra una pequeña descoloración en las terminaciones.

Mesa

Limpie las superficies exteriores con un jabón de lavadora suave o bicarbonato de sodio, después enjuague con agua.

Acero Inoxidable

1. Para una limpieza general utilice agua, tibia, jabón, amoníaco o detergente aplicado con un paño suave o con una esponja.
2. Para marcas dactilares o manchas utilice el limpiador y pulidor de acero inoxidable 3M, Areal 20, Lac-0-Nu, LuminWash, crema de pulir O'Cedar, o abrillantador de acero inoxidable estoproductará una capaprotectora queminizara las huellas dactilares.
3. Para manchas persistentes y descoloración utilice, limpiador concentrado Allchem, Samae, Twinkle, limpiador de cobre Cameo, Liquido Nu Steel, R ev ere limpiador de acero inoxidabley cobre, aplicando en un paño suave siguiendo las líneas de pulido.
4. Al utilizarlo en ambientes de aire salado, recomendamos limpiar todas las superficies de acero inoxidable al menos cada dos semanas para mantener el artículo en óptimas condiciones. El acero inoxidable es resistente a la corrosión pero no es impermeable al óxido. La exposición al aire salino y al rocío del mar causará oxidación superficial si no cuida sus productos adecuadamente. Lo mejor que puede hacer para proteger el acero inoxidable es limpiarlo con frecuencia.

* Uso de las denominaciones pretende solo indicar un tipo de limpiador y no constituye una aprobación. La omisión de alguna de las propiedades del limpiador no implica su ineficacia. Todos los productos deben usarse de acuerdo con las instrucciones en el paquete.

Almacenamiento



ADVERTENCIA

NO mueva o almacene esta mesa de fuego a menos que el fuego se haya extinguido completamente y se encuentre frío al tacto.

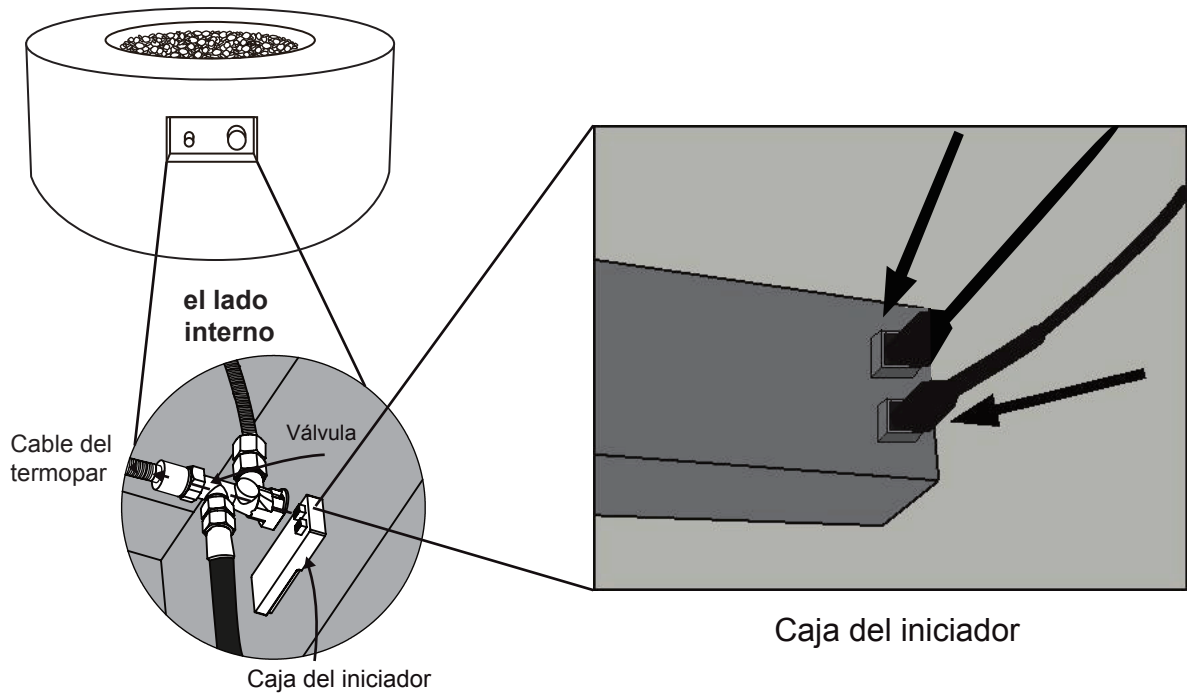
1. Apague el gas desde el tanque. Remueva el tanque y guarde en un lugar al aire libre, fresco, seco y alejado del alcance de los niños.
2. Retire cuidadosamente el relleno de las rocas y guarde los componentes de manera horizontal para evitar que se rompan.
3. SIEMPRE cubra su mesa de fuego al aire libre cuando no esté en uso.
4. Guarde en un lugar al aire libre, fresco, seco y alejado del alcance de los niños y mascotas.

REVISION DE LAS CONEXIONES

Si el quemador no enciende o no permanece encendido, por favor realice las siguientes inspecciones.

1. Asegurese que el cable del electrodo esta correctamente conectado.

Ambos cables del electrodo deben estar completamente insertados en la caja del encendido.



2. Asegurese que el piloto no se encuentre obstruido.

Limpie cualquier escombros de la parte superior del piloto y asegurese de que no haya escombros entre el iniciador, el termopar y el tubo del quemador.

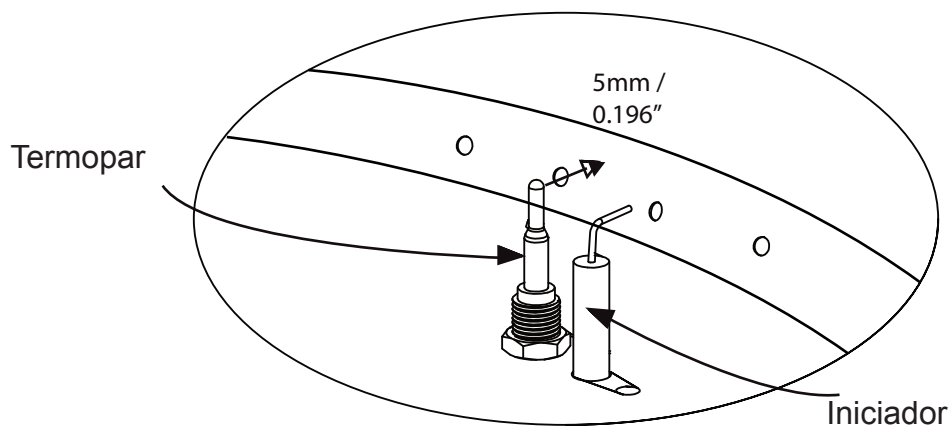


CORRECT



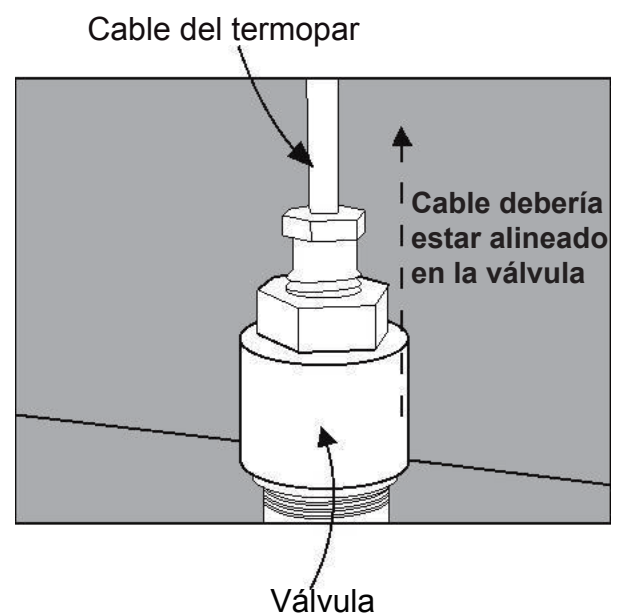
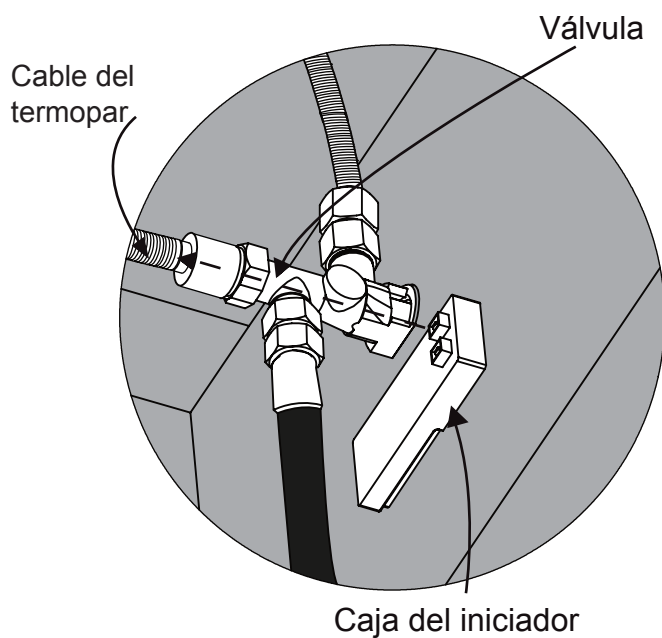
INCORRECT

REVISION DE LAS CONEXIONES DEL GAS



3. Asegúrese que el iniciador y el termopar se encuentren correctamente posicionados.

- El iniciador debería estar apuntando directamente al termopar
- El termopar debería estar a 5mm de distancia lejos del tubo del quemador.



4. Asegúrese que el cable del termopar se encuentra correctamente posicionado. El cable del termopar debería estar alineado con la válvula.

SOLUCION DE PROBLEMAS

Problema: El quemador no enciende usando el chispero

Causa Posible 1: Los electrodos y el quemador están mojados.

-Seque con paño seco.

Causa Posible 2: La pila del iniciador se encuentra agotada o mal colocada.

-Revise si la pila AAA se encuentra insertada correctamente en el iniciador (vea página 8) o reemplace la pila.

Causa Posible 3: El iniciador se encuentra roto o rajado- salen chispas de la grieta.

-Llame al Ocean Rock USA al 800-678-7294 para soporte técnico.

Causa Posible 4: Cable flojo o desconectado.

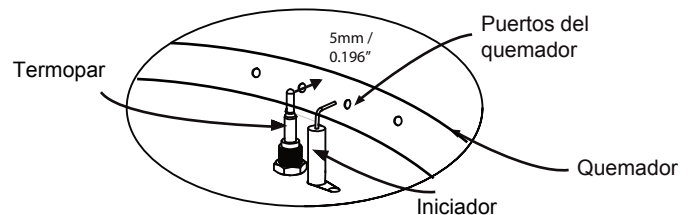
-Referencia en la página 15, paso 1, reconecte el cable. Llame al Ocean Rock USA al 800-678-7294.

Causa Posible 5: Cable está haciendo corto circuito Entre el iniciador el electrodo.

-Llame al Ocean Rock USA al 800-678-7294 para soporte técnico.

Causa Posible 6: Mal iniciador.

-Llame al Ocean Rock USA al 800-678-7294 para soporte técnico.



Problema: Quemador no enciende usando el cerillo

Causa Posible 1: No hay flujo de gas.

-Revise si el tanque de gas LP esta vacío. Si lo está reemplácelo y rellénelo.

Si el tanque no está vacío, refiérase a "Problema: súbita caída de presión de gas" en la próxima página.

Causa Posible 2: La conexión rápida no está completamente enganchada.

-Desconecte la conexión rápida en el suministro de gas y vuelva a conectarla para asegurarse de que se realice la conexión correcta.

Causa Posible 3: Obstrucción en el flujo de gas.

-Revise si hay mangueras dobladas o retorcidas.

Causa Posible 4: Los puertos del quemador están congestionados o tapados.

-Refiérase al "Problema: Forma de llama irregular" en la próxima página. Limpie los tubos puertos del quemador como allí se indica.

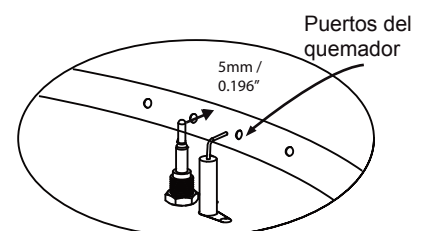
Problema: La mesa de fuego emite mucho humo negro.

Causa Posible 1: La manguera se encuentra pellizcada

-Asegúrese que la manguera no se encuentre pellizcada entre la mesa de fuego y la fuente del gas.

Causa Posible 2: La llama se encuentra obstruida en los puertos del quemador.

-Asegúrese que los tubos del quemador se encuentren despejados de cualquier roca volcánica que pueda estar tapándolos para que la llama pueda fluir naturalmente.



SOLUCION DE PROBLEMAS

Problema: Súbita caída de presión de gas o llama baja

Causa Posible 1: No hay gas.

- Llame a su compañía de gas local.

Causa Posible 2: Flujo excesivo, dispositivo de seguridad puede estar activado.

- Gire la perilla de control a la posición apagado, espere 30 segundos y encienda el equipo.

Si las llamas continúan siendo demasiado bajas, reajuste el dispositivo de seguridad que impide el flujo excesivo, girando la perilla de control hasta la posición apagado y el suministro de gas.

Desconecte el desconexión rápida. Gire la perilla de control del quemador a la posición alta.

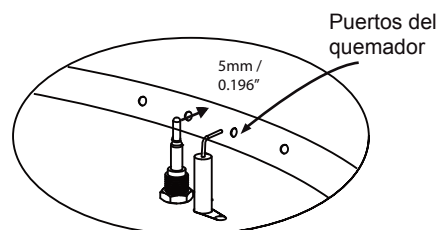
Espere un minuto. Gire la perilla de control del quemador a la posición apagado. Vuelva a conectar el enchufe de desconexión rápida, abra el suministro principal de gas y realizar una comprobación de fugas en la conexión de Gas Natural.

Problema: Patrón irregular de la llama, llama no alcanza todo el quemador

Causa Posible: Los puertos del quemador están congestionados o tapados.

- Limpie los puertos del quemador. Haga esto insertando un clip de papel en cada uno de los puertos del quemador para así asegurarse que no estén tapados.

ADVERTENCIA : Asegúrese que el quemador no tenga suministro de gas y que este desconectado correctamente. Deje pasar 15 minutos para que la unidad se enfríe antes de tocarla.



Problema: Llama se apaga

Causa Posible 1: Vientos o ráfagas fuertes

- Aumente la llama a alto (HIGH).

Causa probable 2: Poco gas natural.

- Comuníquese con la compañía local de gas.

Causa Posible 3: Se ha alcanzado un flujo de gas excesivo.

- Refiérase a “Problema: súbita caída de presión de gas o llama baja”

GARANTIA

Ocean Rock USA INC. Life Style haciendo negocios bajo el nombre de Ocean Rock garantiza que los productos Ocean Rock, sus características y accesorios están libres de defectos en sus partes y en su fabricación por el periodo de un año desde la fecha de compra bajo un uso normal de los productos. En el caso de tales defectos Ocean Rock, a su criterio, reparara o reemplazara el producto defectuoso. Lo anterior queda bajo la discreción de Ocean Rock.

No habrá ningún cargo por el reemplazo de las partes o el producto, sin embargo, el consumidor será responsable de devolver el producto a su lugar de compra original.

Ocean Rock no será responsable por los daños consecuentes en exceso del precio de la compra del producto en los cuales tal responsabilidad es basada y la garantía no cubre los costos incluyendo, transporte, retirada y reinstalación.

Esta garantía es intransferible y se aplica solo para unidades que son para uso personal no comercial.

Bajo este acuerdo de garantía todas las conexiones de gas deben hacerse por un especialista calificado.

El daño causado por envíos, decoloración y abuso no están cubiertos bajo esta garantía.

Golpes, abolladuras, rasguños, decoloración no son cubiertos bajo esta garantía. La roca decorativa no está cubierta por esta garantía. Instalaciones, reparaciones, o modificaciones realizadas por cualquiera otro que no sea Ocean Rock anularan esta garantía y cualquier daño causado por aquellos no quedara cubierto bajo esta garantía.

Abolladuras menores, decoloración por el clima, manchas de agua y grietas no estructurales son típicas del material de este producto y no son cubiertas por esta garantía. Algunas variaciones de colores y texturas de los materiales y las terminaciones del producto no están cubiertas por la garantía.

El concreto moldeado es un proceso de acabado a mano. Como tal, el acabado de este producto varía según la unidad. Habrá una variación de color de hasta 15% en cada unidad. También puede haber textura desigual o en el patrón, así como pequeños agujeros en la superficie causada por el aire o el agua atrapada en la superficie durante la preparación. Este es una característica normal del concreto moldeado y no está cubierto por la garantía.

MODENO

Ocean Rock USA INC.

692 Parkridge Ave Norco, CA 92860, USA

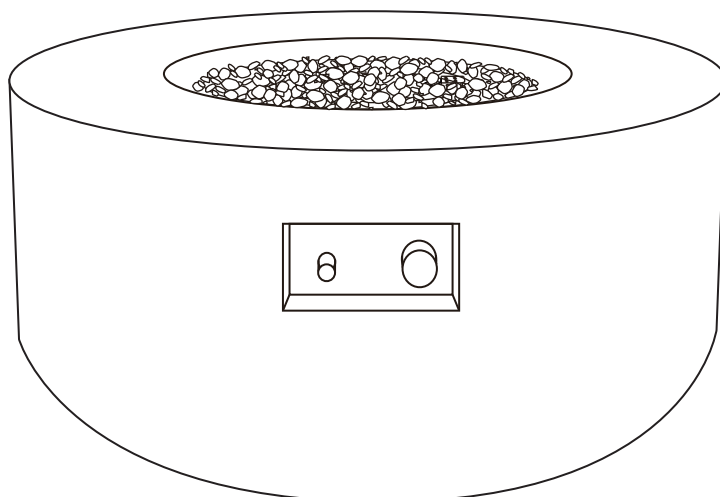
www.oceanrockusa.com

info@oceanrockusa.com

Tel: 800-678-7294

MODENO

Venice Fire Table / Tramore Fire Table



OFG113NG , OFG132NG

Manuel d'utilisateur

Type de gaz: Gaz naturel



IMPORTANT

INSTALLATEUR:

Laissez ce manuel avec l'appareil.

CONSOMMATEUR:

Garde ce manuel pour y revenir plus tard.



AVERTISSEMENT

• Si les informations contenues dans ce manuel ne sont pas suivies adéquatement, un incendie ou explosion entraînant des dommages matériels, blessures ou des pertes de vie peuvent avoir lieu.

• L'installation et l'entretien doivent être faits par un installateur qualifié, une compagnie d'entretien ou un fournisseur de gaz.

• Une installation, un ajustement, une modification, une réparation ou un entretien inapproprié peuvent être la cause de blessures ou de dommages.

• Veuillez lire attentivement les instructions d'installation, d'utilisation et d'entretien avant d'installer ou de réparer ce matériel.

• Conserver ces instructions pour future référence. Si vous assemblez cet équipement pour quelqu'un d'autre, donnez-lui ce manuel pour une référence ultérieure.



AVERTISSEMENT

Ne pas entreposer ni utiliser de l'essence ni d'autres vapeurs ou liquides inflammables dans le voisinage de l'appareil, ni de tout autre appareil. Cet appareil n'est pas fait pour fonctionner avec du propane. Utiliser uniquement du gaz naturel.



DANGER

DANGER D'INCENDIE OU D'EXPLOSION

S'il y a une odeur de gaz :

- Coupez l'admission de gaz de l'appareil.
 - Éteindre toute flamme nue.
 - Si l'odeur persiste, vous éloigner de l'appareil et appeler immédiatement.
 - Après avoir quitté la zone, appelez votre fournisseur de gaz ou le service d'incendie.
- Le non-respect de ces instructions peut entraîner la mort, des blessures graves ou des dommages matériels.





AVERTISSEMENT


Pour utilisation à l'extérieur seulement. L'installation et l'entretien doivent être faits par un installateur qualifié, une compagnie d'entretien ou un fournisseur de gaz.





TABLE DES MATIÈRES


Informations importantes de sécurité -----	3
Avertissements concernant le gaz naturel-----	5
Liste des pièces -----	7
Instructions préliminaires -----	12
Instructions pour l'allumage -----	13
Entretien et nettoyage -----	14
Vérifications de la connexion des composants au gaz -----	15
Dépannage -----	17
Garantie -----	19

 DANGER	MONOXYDE DE CARBONE
	<p>Cet appareil peut produire du monoxyde de carbone inodore. Son utilisation dans un espace clos peut être mortel. Ne jamais utiliser cet appareil dans un espace comme caravane, tente, voiture ou maison.</p>

 **AVERTISSEMENT** : ce produit peut vous exposer au monoxyde de carbone, qui est reconnu par l'État de Californie comme pouvant causer des malformations congénitales ou d'autres problèmes de reproduction. Pour plus d'informations, rendez-vous sur www.P65Warnings.ca.gov.

 **AVERTISSEMENT** : ce produit peut vous exposer au phtalate de di-isononyle (DINP), qui est reconnu par l'État de Californie comme pouvant causer un cancer. Pour plus d'informations, rendez-vous sur www.P65Warnings.ca.gov.

 **AVERTISSEMENT** : ce produit peut vous exposer au Phtalate de benzyle et de butyle (BBP) / phtalate de dibutyle (DBP), qui est reconnu par l'État de Californie comme pouvant causer des malformations congénitales ou d'autres problèmes de reproduction. Pour plus d'informations allez sur www.P65Warnings.ca.gov.

 **AVERTISSEMENT** : ce produit peut vous exposer au plomb / phtalate de di-2-éthylhexyle (DEHP), qui est reconnu par l'État de Californie comme pouvant causer un cancer et des anomalies congénitales ou d'autres problèmes de reproduction. Pour plus d'informations, rendez-vous sur www.P65Warnings.ca.gov.

INSTRUCTION DE SÉCURITÉ IMPORTANTE



ATTENTION POUR USAGE EXTÉRIEUR SEULEMENT

ODEUR DE GAZ

- Couper l'alimentation en gaz à la table de feu.
- Éteindre toute flamme.
- Ne pas tenter d'allumer d'autres appareils.
- Ne toucher à aucun interrupteur électrique; ne pas utiliser de téléphone dans votre bâtiment.
- Appeler immédiatement votre fournisseur de gaz à partir du téléphone d'un voisin.
- Suivre les instructions du fournisseur de gaz.
- Si vous ne pouvez pas joindre votre fournisseur de gaz, appelez le service des incendies.

L'installation et les réparations doivent être faites par un technicien qualifié. L'appareil devrait être inspecté avant usage et au moins une fois l'an par un technicien qualifié. Des nettoyages plus fréquents peuvent être nécessaires. Le compartiment des boutons de contrôle, les brûleurs, et les canaux de circulation de l'air devraient toujours être gardés propres.

• **AVERTISSEMENT** : Toujours éteindre l'alimentation en gaz en fermant la valve et en retirant la prise de déconnexion facile de l'alimentation en gaz quand vous n'utilisez pas la table de cuisson.

• **AVERTISSEMENT** : L'installation et la mise en service doivent être réalisées par un installateur qualifié, une entreprise de service ou un fournisseur de gaz.

• **AVERTISSEMENT** : Si vous ne suivez pas les avertissements de sécurité et les précautions indiquées dans ce mode d'emploi, il pourrait en résulter des blessures corporelles graves ou la mort, un incendie ou une explosion causant des dégâts matériels chez vous.

• **Remarque importante** : Lisez et comprenez tous les avertissements et précautions avant d'assembler et d'utiliser votre table de cuisson à gaz. Une mauvaise installation, utilisation, fonctionnement, ajustement ou une modification peuvent causer des blessures ou des dégâts matériels.

• **Remarque**: L'utilisation et l'installation de ce produit doivent être conformes aux codes locaux. En l'absence de codes, utilisez le Code Carburant National Gaz, ANSI Z21.97. Référence à gaz naturel et propane Installation Code CSA B149.1 ou Stockage et manutention du Propane Code B149.2. Conforme à la norme ANSI Z21.97-2017•CSA2.41-2017, Normes des Appareils de Gaz Décoratifs Extérieurs.

•**Dégagement Minimum d'Unité à Construction Combustible:**

72"(182.9cm) moins la hauteur de l'appareil par le haut; 48"(121.9cm) de tous les côtés et le dos.

• Ne pas installer cette table-foyer sous une enceinte couverte.

• La pression d'alimentation en gaz naturel minimale à l'entrée: 3,5 " w.c. (0,87 kPa).

La pression d'alimentation maximale du gaz naturel à l'entrée: 10,5 " w.c. (2,61 kPa).

• La pression d'admission de cet appareil est de 7 " w.c. (1,74 kPa).

• Toujours utiliser cette table de cuisson d'extérieur sur une surface dure et non inflammable tels que du béton, des pierres ou des rochers.

• Cette table de cuisson à gaz et sa valve de sécurité doivent être déconnectée du système d'alimentation en gaz durant les tests de pression quand la pression testée dépasse ½ de psi. (3,5 kPa). L'appareil doit être isolé du système d'alimentation en gaz en fermant sa vanne manuellement durant les tests de pression quand la pression testée est égale ou inférieure à ½ de psi (3,5 kPa).

• Garder ces instructions pour une future consultation. Si vous assemblez cet appareil pour quelqu'un d'autre, donnez-lui ce mode d'emploi à lire et à garder pour une future consultation.

• Cette table de cuisson est à utiliser UNIQUEMENT à l'extérieur dans un espace correctement ventilé. Ne PAS utiliser dans un bâtiment, garage ou autre endroit clos.

• NE PAS utiliser cette table de cuisson d'extérieur en tant que chauffage d'intérieur. Les fumées toxiques de monoxyde de carbone peuvent s'accumulées et causer une asphyxie.

INSTRUCTION DE SÉCURITÉ IMPORTANTE

- Ne JAMAIS laisser ce foyer à gaz allumé sans surveillance lorsqu'il est en marche.
- Les enfants doivent être alertés des dangers des surfaces très chaudes et maintenus à une distance de sécurité lorsque la table est utilisée.
- Ne pas entreposer ou utiliser de l'essence ou tout autre gaz ou liquide inflammable à moins de 7,62m (25 pieds) de cet appareil ou d'un autre appareil.
- NE PAS stocker du combustible à l'intérieur de la table.
- NE PAS utiliser dans une atmosphère explosive. Garder la table de cuisson propre et sans combustible, essence ou tout autre gaz ou liquide inflammable.
- Cette table de cuisson d'extérieur ne doit PAS être utilisée par des enfants. Les jeunes enfants doivent être surveillés attentivement lorsqu'ils se trouvent à proximité de cette table de cuisson.
- Cette table de cuisson d'extérieur ne doit pas être installée ou utilisée dans ou sur des camping-cars ou des bateaux.
- Toujours utiliser en conformité avec les codes locaux, provinciaux et nationaux applicables. Veuillez contacter votre service local des pompiers pour plus de détails sur la gestion des feux à l'air libre.
- Utiliser les mêmes précautions que vous prendriez avec tout autre feu lorsque vous utilisez la table de cuisson d'extérieur.
- NE PAS brûler de combustibles solides dans cette table de cuisson d'extérieur tels que : du bois, des briquettes de charbon de bois, des morceaux de charbon de bois, des bûches manufacturées, du bois flottants, des poubelles, des feuilles, du papier, du carton, du contreplaqué, du bois peint, teint ou traité sous pression.
- NE PAS utiliser cette table de cuisson d'extérieur avant que son assemblage ne soit complet et que toutes les pièces ne soient correctement attachées et vissées.
- NE PAS utiliser la table de cuisson d'extérieur près de voitures, camions, vans ou camping-car.
- NE PAS utiliser la table de cuisson d'extérieur sous une structure couverte ou près d'une construction inflammable non protégée. Éviter de l'utiliser près ou sous les branches d'un arbre ou arbuste.
- La consommation d'alcool, de drogue ou de médicament peut réduire les capacités d'un individu à assembler correctement ou à utiliser sans danger cette table de cuisson d'extérieur.
- NE PAS utiliser la table de cuisson d'extérieur si une pièce a été mouillée. Appeler immédiatement un technicien qualifié pour inspecter la table de cuisson et remplacer la pièce ou le système de contrôle ainsi que tout autre élément de sécurité ayant été mouillé.
- NE PAS porter de vêtement inflammable ou long quand vous utilisez cette table de cuisson d'extérieur.
- NE PAS utiliser par vent fort.
- Garder tous les câbles électriques éloignés de la source de chaleur de la table de cuisson.
- Certaines parties de la table de cuisson d'extérieur deviennent trop chaudes pour être touchées lorsque la table est utilisée. Ne pas toucher les surfaces chaudes avant que l'appareil n'ait refroidi, à moins que vous ne portiez des gants protecteurs tels que des maniques, des gants résistants à la chaleur ou des moufles pour éviter les brûlures.
- NE PAS accrocher ou placer des vêtements ou autres matériaux inflammables sur ou près de la table de feu de gaz.
- Tout protecteur ou autre dispositif de protection retiré pour l'entretien de la table d'incendie doivent être remplacés avant de faire fonctionner la table de feu de nouveau.
- NE PAS essayer de déplacer ou de ranger la table de cuisson d'extérieur avant que toutes les pièces ne soient refroidies.
- NE PAS s'appuyer contre la table de cuisson d'extérieur lors de l'allumage ou de son fonctionnement.
- Utiliser uniquement le tuyau de gaz naturel et l'assemblage de déconnexion rapide fournis. La pièce de remplacement du tuyau de gaz naturel et de l'assemblage de déconnexion rapide doit être celle spécifiée par le fabricant.
- NE PAS essayer de déconnecter le tuyau de gaz naturel et la prise de déconnexion rapide de l'alimentation principale en gaz ou autre appareillage du gaz quand la table de cuisson d'extérieur est utilisée.

INSTRUCTION DE SÉCURITÉ IMPORTANTE

- Toujours couper l'alimentation en gaz au niveau de la valve de coupure et déconnecter la prise de déconnexion rapide de l'alimentation principale en gaz quand la table de cuisson n'est pas utilisée.
- NE PAS s'asseoir sur la table de cuisson quand l'appareil est en marche.
- NE RIEN jeter dans le feu quand la table est en marche.
- Les pierres de lave sont très chaudes, veiller à garder les enfants et les animaux de compagnie à une distance de sécurité. Il est essentiel de garder le compartiment de la valve, le brûleur et les conduits d'aération de la table de cuisson d'extérieur propres. Inspecter la table de cuisson d'extérieur avant chaque utilisation.
- Avant chaque utilisation de la table de cuisson, vérifier que le tuyau n'ait pas de signe d'abrasion ou d'usure excessive en regardant à travers l'orifice de vérification visuelle. Si le tuyau est endommagé, fissuré ou percé, il doit être remplacé avant d'utiliser la table de cuisson à gaz. L'assemblage de tuyaux peut être remplacé uniquement par le fabricant. Merci de contacter Ocean Rock USA au 800-678-7294. Utilisez uniquement des pièces de rechange provenant du fabricant.
- Avant chaque utilisation, retirer les pierres de lave. Examiner le brûleur et tous ses composants. Si elle est sale, nettoyer délicatement avec une brosse douce et une solution d'eau savonneuse. Examiner la zone autour du brûleur; toute saleté ou matières étrangères, telles que des toiles d'araignées ou des nids dans ce domaine doit être supprimée. S'il est évident que le brûleur soit endommagé, l'appareil ne doit pas être utilisé. L'ensemble de brûleur ne peut pas être remplacé. Veuillez contacter le Ocean Rock USA au 800-678-7294 pour obtenir une assistance technique.
- Placer le tuyau loin des voies où les gens peuvent trébucher. Ne pas placer le tuyau dans les zones où il peut être soumis à des dommages accidentels.



ATTENTION

Cette table-foyer extérieure est conçue pour être utilisée avec du gaz naturel exclusivement (NG). Convertir ou tenter d'utiliser du gaz naturel dans cette table-foyer extérieure est dangereux et peut occasionner des blessures sérieuses ou des dommages à la propriété.

ATTENTION: Toute modification apportée à la table n'étant pas spécifiée dans le manuel d'exploitation annulera la garantie du fabricant.

DANGERS ET AVERTISSEMENTS SUR LE GAZ NATUREL

Le gaz naturel est inflammable et dangereux si manipulé incorrectement. Renseignez-vous sur ses caractéristiques avant d'utiliser un produit utilisant du gaz naturel.

Caractéristiques du gaz naturel :

- Inflammable, explosif lorsque sous pression, plus léger que l'air et s'accumule en nuage dans les endroits élevés.
- Dans son état naturel, le gaz naturel n'a pas d'odeur. Pour votre sécurité, une odeur a été ajoutée.
- Le contact du gaz naturel avec la peau peut brûler.
- Le gaz naturel est extrêmement inflammable et peut être dangereux s'il n'est pas manipulé correctement.
- Des produits chimiques reconnus par l'état de Californie comme pouvant causer des cancers, des malformations congénitales ou autre anomalie de la reproduction sont créés lors de la combustion du gaz naturel.
- Votre foyer au gaz naturel est conçu pour être utilisé avec du gaz naturel seulement, à une pression de sept pouces de colonne d'eau (7 po CE). Vérifier, avec votre service de distribution de gaz, la pression de gaz ayant cours dans votre région parce que cette pression peut varier d'une région à l'autre. Consulter votre distributeur de gaz ou votre code du bâtiment régional pour connaître les instructions d'une bonne installation d'une conduite de gaz ou contacter un installateur qualifié et agréé.

DANGERS ET AVERTISSEMENTS SUR LE GAZ NATUREL

• Il est recommandé qu'une valve de coupure manuelle ON/OFF soit installée à la source d'approvisionnement en gaz :

En extérieur: Après que le tuyau de gaz sorte du mur et avant la prise de déconnexion rapide ou avant que le tuyau de gaz ne rentre sous terre.

En intérieur: dans le branchement de gaz dans un local facilement accessible près de la ligne d'approvisionnement en gaz.

• Une pâte d'étanchéité ou un ruban d'étanchéité doit être utilisé sur tous les filetages mâles du tuyau. Appliquer la pâte ou le ruban sur au moins les trois ou quatre premiers filetages lors de la connexion.

• Ne jamais ranger ou utiliser de l'essence ou autre substance volatile à proximité de la table de cuisson.

Connexion au gaz naturel

Connecter une valve de coupure manuelle à l'alimentation en gaz. Applique de la pâte d'étanchéité ou du ruban résistant à l'effet du gaz naturel sur tous les filetages des tuyaux mâles. Connecter la fin, avec le connecteur à ouverture rapide ou le tuyau de gaz naturel à la valve de coupure manuelle près de l'alimentation en gaz.



AVERTISSEMENT

Lors d'un test de haute pression du système de tuyauterie du gaz, si la pression est supérieure à ½ psi (3,5 kPa), alors l'appareil et sa valve de coupure individuelle doivent être déconnectés du système d'approvisionnement en gaz.


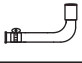



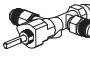



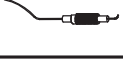


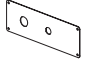

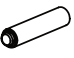


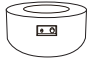
La table de cuisson d'extérieur doit être isolée du système de tuyauterie du gaz en fermant la valve de coupure individuelle manuelle durant un test de pression du système de tuyauterie du gaz au moins égal ou inférieur à ½ psi (3,5 kPa).



AVERTISSEMENT

Les valves du brûleur sont pré-testées en usine pour fonctionner avec le gaz naturel. Ne pas essayer de les convertir ou de les changer.

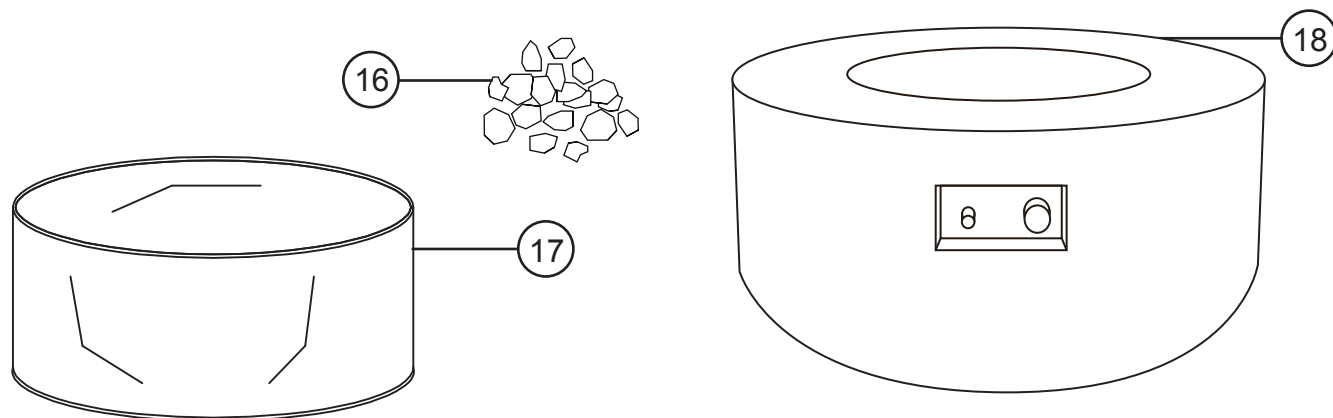
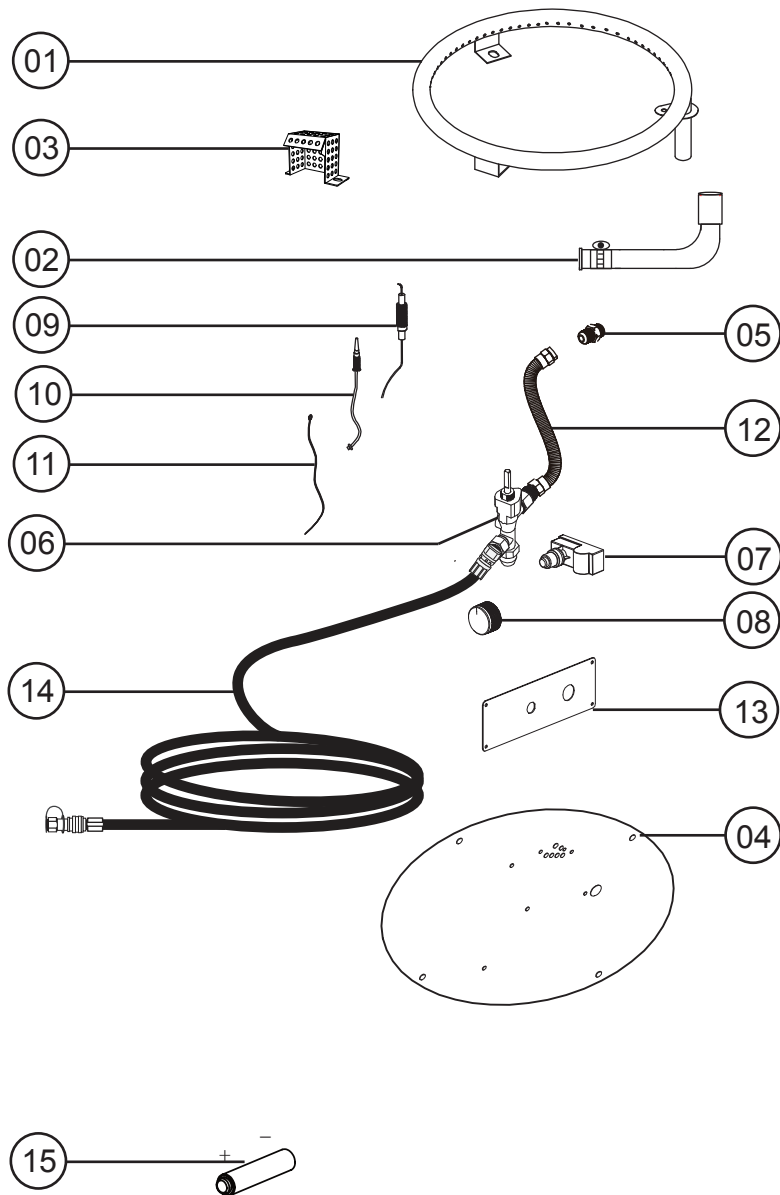
LISTE DES PIÈCES

Article	Image	La description	Quantité
01		Brûleur	1 pièce
02		Tuyau d'entrée d'air	1 pièce
03		Garde	1 pièce
04		bol à feu	1 pièce
05		Orifice	1 pièce
06		soupape	1 pièce
07		Allumeur	1 pièce
08		Bouton de controle	1 pièce
09		Thermocouple	1 pièce
10		Électrode	1 pièce
11		Fil de terre	1 pièce
12		Tuyau ondulé	1 pièce
13		Panneau de contrôle	1 pièce
14		Tuyau De Gaz Naturel	1 pièce
15		Batterie	1 pièce
16		Pierre de lave	6 kgs
17		Couverture	1 pièce
18		Corps de feu	1 pièce



AVERTISSEMENT

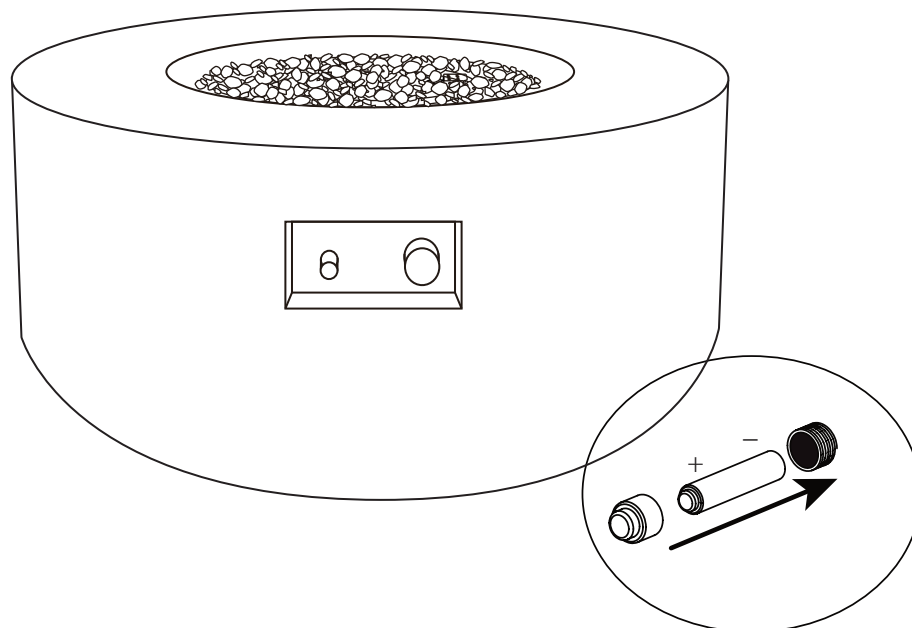
Pour toute assistance technique, pièces de rechange ou pièces manquantes, Veuillez contacter le Ocean Rock USA au 800-678-7294.



INSTRUCTIONS DE MONTAGE

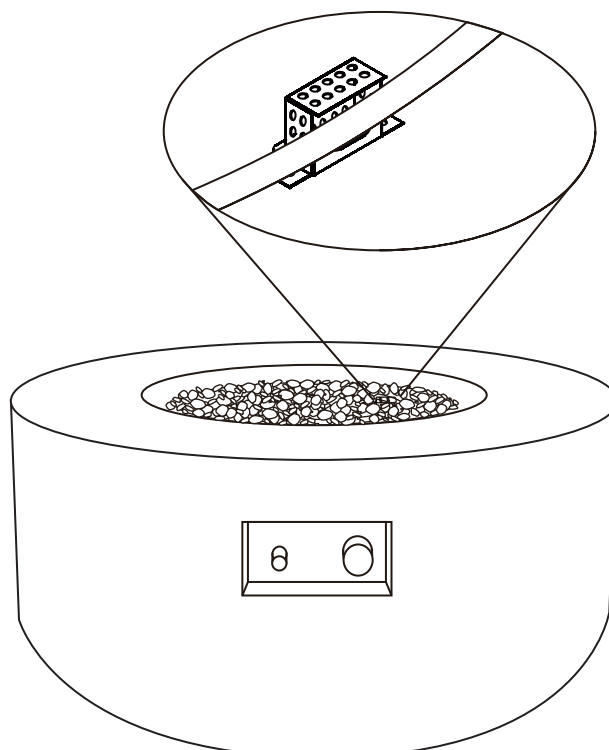
Installer la batterie AAA, comme indiqué dans le schéma ci-dessous.
Batterie inclus.

1



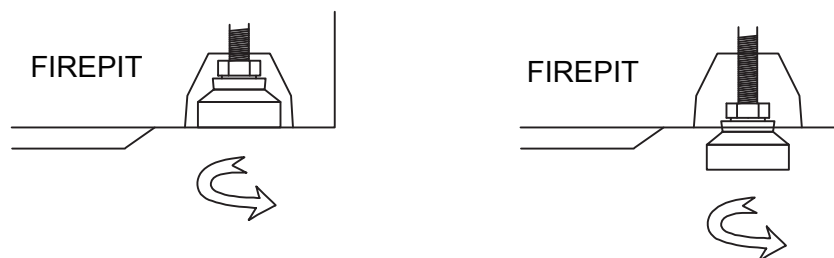
Placer la pierre de lave à la main. NE PAS vider le sac dans le bac pour éviter que la poussière ne bouche le brûleur.
Placez la pierre de lave à une hauteur d'environ 1pouce dépassant la tête du brûleur. Assurez-vous que vous ne bloquez pas la boîte d' allumeur avec la pierre de lave pour assurer une bonne inflammation.

2



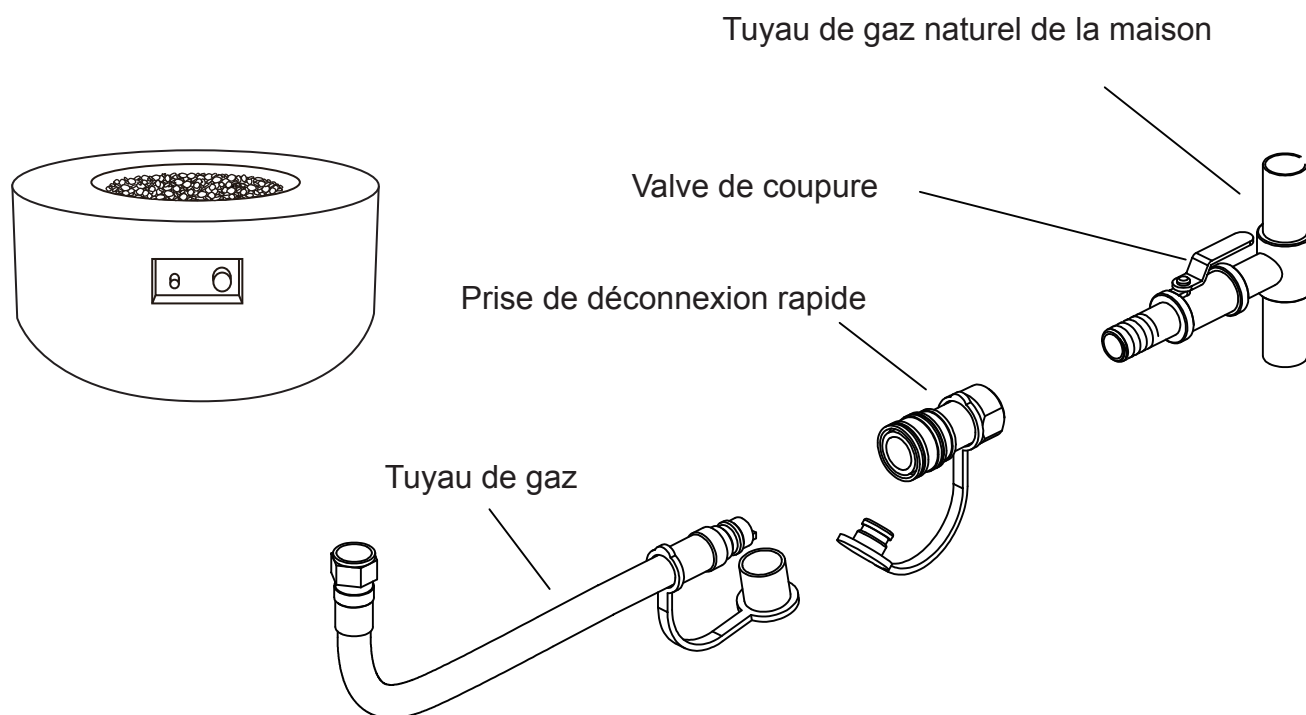
INSTRUCTIONS DE MONTAGE

Les pieds réglables ont déjà été installés au fond du foyer. S'il vous plaît ajuster la hauteur des pieds pour s'assurer que tout foyer était toujours au niveau, ou augmenter la hauteur de la table de feu selon vos préférences. S'il vous plaît assurez-vous que la hauteur était sûre avant de terminer.



3

Connecter votre table de cuisson à la source d'approvisionnement en gaz naturel. Une valve de coupure installée par un professionnel entre le tuyau d'approvisionnement et la prise est recommandée par le Code national du gaz. La prise de connexion doit être placée à l'extérieur.

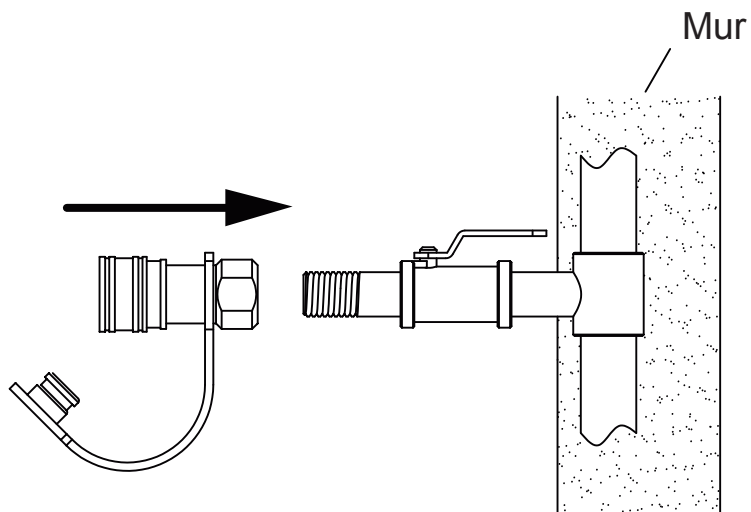


INSTRUCTIONS DE MONTAGE

4

Connexion de la prise

Entourer l'embout du tuyau d'approvisionnement en gaz avec un matériau résistant au gaz ou un ruban PTFE Teflon approuvé. Visser la prise sur le tuyau d'approvisionnement en gaz (venant de la maison), tel qu'illustré à droite, et serrer fortement. La prise de déconnexion rapide ne doit jamais être connectée à la table de cuisson. Le sens de circulation du gaz est indiqué sur la prise.

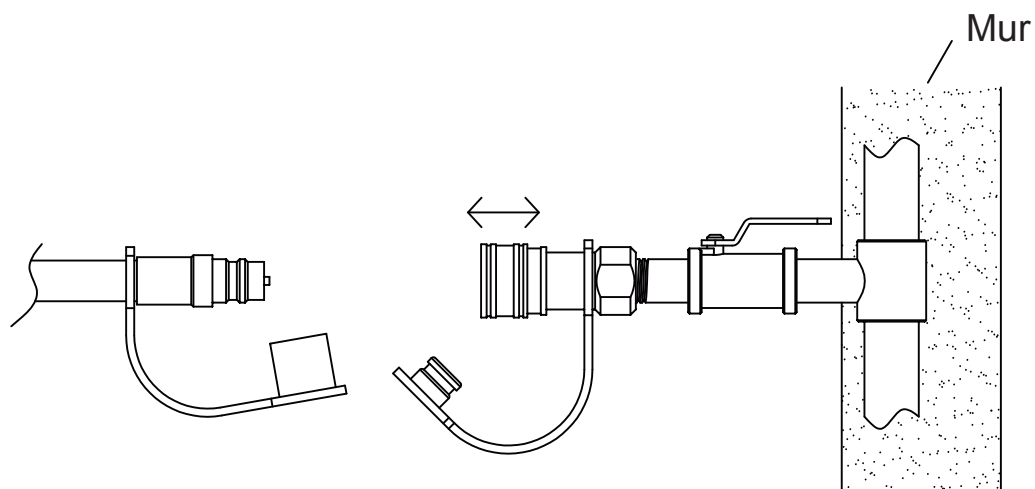


INSTRUCTIONS DE MONTAGE

5

Utilisation de la prise de connexion rapide

Retirer le capuchon protecteur de la prise de connexion rapide et insérer la partie non attachée du tuyau de gaz dans la prise. Relâcher le capuchon et continuer à pousser le tuyau dans la prise jusqu'à ce que le bouchon s'enclenche et se verrouille en place. Après avoir fait toutes les connexions, réaliser un test de fuite comme décrits page 12 de ce mode d'emploi.



INSTRUCTIONS PRELIMINAIRES

AVERTISSEMENT

Avant d'utiliser cette table de feu en plein air, assurez-vous que vous avez lu, compris et suivis toutes les informations prévues dans la section Informations de sécurité importantes de ce manuel. Le non-respect de ces instructions peut entraîner la mort, des blessures graves ou des dommages matériels.

Avant chaque utilisation du foyer à gaz, vérifier à travers l'orifice de vérification visuelle situé sur le côté de la base que les tuyau et soupape n'ont pas d'usures.

CONNECTIONS AUX BRULEUR

Vous assurer que le tuyau du gaz naturel et l'embout de déconnexion rapide sont serrés de façon sécuritaire au brûleur et à l'alimentation en gaz. Si l'appareil a été assemblé par quelqu'un d'autre que vous, vérifier visuellement le raccord entre le tuyau du brûleur et l'orifice. Vous assurer que le tuyau du brûleur s'ajuste parfaitement par-dessus l'orifice.

AVERTISSEMENT

Ne pas inspecter cette connexion ou suivre ces instructions pourrait provoquer un incendie ou une explosion. Le fait de ne pas positionner les pièces conformément à ces schémas ou de ne pas utiliser uniquement des pièces spécifiquement approuvées avec cet appareil peut entraîner des dommages matériels ou des blessures.

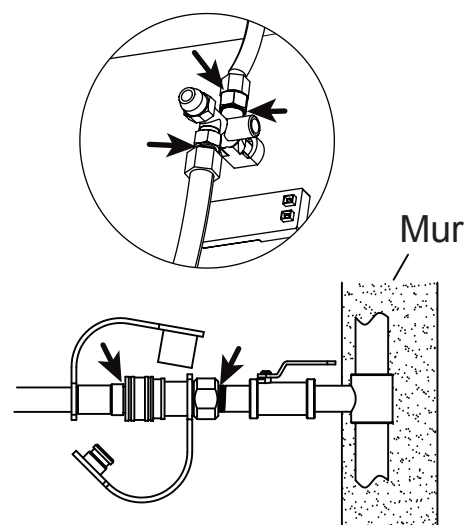
Veillez-vous référer au schéma pour une installation correcte.

Si le tuyau du brûleur ne repose pas au ras de l'orifice, veuillez contacter le Ocean Rock USA au 800-678-7294.

VERIFICATION DES FUITES

Faire un contrôle d'étanchéité en mélangeant 1 quantité de savon liquide avec 3 quantités d'eau dans un flacon pulvérisateur. Assurez-vous que le bouton de commande est à la position "OFF". Ensuite, tournez le réservoir de gaz naturel à la position "ON" au niveau de la soupape.

Pulvériser la solution testeur de fuite sur les connexions de la vanne en payant une attention particulière aux zones indiquées par les flèches. Si des bulles apparaissent, tourner le réservoir de gaz à la position OFF, reconnectez et refaire le test. Si vous continuez à voir des bulles après plusieurs tentatives, débrancher la source de gaz naturel et contactez Ocean Rock USA au 800-678-7294 pour assistance. Si aucunes bulles n'apparaissent après une minute, tourner le réservoir à la position OFF, essuyez la solution et procédez.



Vérifiez les fuites à ces endroits

INSTRUCTIONS D'ALLUMAGE

ÉCLAIRAGE

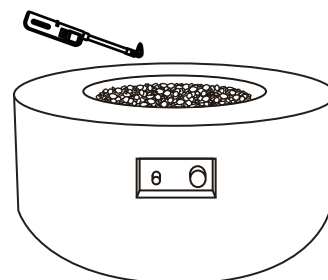
1. Lire les instructions avant d'allumage.
2. Le bouton de commande doit être dans la position « OFF ».
3. Brancher l'alimentation en gaz (voir les pages précédentes).
4. Ouvrir l'alimentation en gaz de l'appareil.
5. Pousser et retenir le bouton d'allumage pour produire des étincelles.
6. Tout en tenant le bouton d'allumage d'une main, avec l'autre main, pousser et tourner le bouton de contrôle en position «LOW» pour allumer le brûleur.
7. Si l'allumage ne se produit pas dans les 5 secondes, poussez et tournez le bouton de commande sur «OFF», attendez 5 minutes et laissez le gaz se dissiper.
8. Une fois le brûleur allumé, continuez à maintenir le bouton enfoncé pendant 20 secondes et relâchez-le.
9. Observer la flamme, vous assurer que tous les orifices du brûleur sont allumés. La hauteur des flammes ne devrait pas dépasser 13 pouces.
10. Régler la hauteur de la flamme désirée avec le bouton de commande.



Gardez la roche de lave recouverte et assurez-vous qu'elle est sèche avant d'allumer

L'utilisation d'allumette ou de briquet

1. Avant l'éclairage, utilisez une pelle pour dégager les pierres de lave pour avoir un accès au brûleur.
2. Porter des gants résistants à la chaleur, positionner l'allumette ou le briquet près du brûleur. NE PAS se pencher sur la table de feu tout en allumant!
3. Tourner le bouton de commande dans le sens antihoraire, en position "LOW".
4. Retirer l'allumette ou le briquet.
5. Après l'allumage, utiliser une pelle et des gants résistant à la chaleur pour bien positionner de nouveau les pierres de lave, et remplacer le panneau de verre.
6. Après l'allumage, tourner le bouton de commande du brûleur dans le sens horaire en position "Low". Observer la flamme, assurez-vous que tous les orifices du brûleur sont allumés. La hauteur de flamme ne doit pas être supérieure à 13 pouces.
7. Régler la hauteur de la flamme désirée avec le bouton de commande.



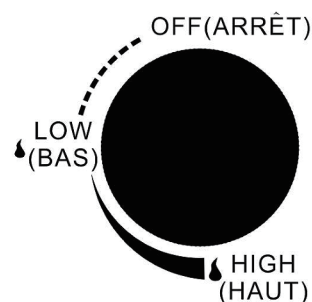
AVERTISSEMENT

Lorsque vous utilisez cette méthode pour éclairer votre table de feu, utilisez des gants résistant à la chaleur et suivez les instructions étape par étape. Ne pas les suivre pourrait entraîner des blessures graves.



AVERTISSEMENT

Bouton de commande Si la flamme de brûleur s'éteint pendant l'opération, tourner immédiatement le bouton de commande en position "OFF" et laisser le gaz s'effacer pendant au moins 5 minutes avant de tenter de rallumer la table de feu.



Veuillez -vous référer à la page de dépannage pour une assistance supplémentaire, en commençant à la page 17.

ÉTEINDRE

1. Tourner et pousser le bouton de commande dans le sens horaire à la position « OFF ».
2. Eteignez l'alimentation en gaz au niveau de la vanne d'isolement et débrancher la prise à débranchement rapide de l'alimentation principale en gaz.

ENTRETIEN ET NETTOYAGE

Inspection

Cette table de cuisson d'extérieur doit être vérifiée régulièrement pour s'assurer que le produit est sûr à utiliser et pour étendre sa durée de vie.



AVERTISSEMENT

NE PAS VÉRIFIER PAS LA TABLE DE CUISSON D'EXTÉRIEUR AVANT QUE LE FEU NE SOIT TOTALEMENT ÉTEINT.

1. Vérifier que le brûleur est installé correctement.
2. Vérifier que toutes les connexions ne présentent pas de fuite.
3. Vérifier le système d'allumage pour assurer la présence d'étincelles.
4. Vérifier que les composants ne présentent pas de signe de dommage, de rouille ou d'usure excessive.
5. Si un composant endommagé est détecté, NE PAS utiliser l'appareil avant que les réparations appropriées aient



AVERTISSEMENT

NE PAS altérer cet appareil. Cela est dangereux et annulera votre garantie. Toute pièce défectueuse doit être remplacée par une autre pièce approuvée conforme par le fabricant. Pour un support technique ou un remplacement de pièce, contacter Ocean Rock USA au 800-678-7294.

Entretien et nettoyage

Ce foyer extérieur doit être nettoyé régulièrement pour assurer une utilisation sûre et prolonger la vie du produit.

Remarque: Après une utilisation répétée, une légère décoloration des finitions peut apparaître.

Table

1. Essuyez les surfaces extérieures avec un savon à vaisselle doux ou du bicarbonate de soude, puis rincer avec de l'eau.

Acier inoxydable

1. Pour le nettoyage général, utiliser de l'eau chaude, du savon, de l'ammoniac, ou un détergent appliquer avec un chiffon doux ou de l'éponge
2. Pour les empreintes digitales ou traces, utiliser du nettoyant et poli pour acier inoxydable 3M , Arcal 20, Lac-O-Nu, LuminWash, O'Cedar Crème polonaise, ou Stainless Shine, ce qui fournira des barrières pour réduire au minimum les empreintes.
3. Pour les taches tenaces, utiliser du nettoyant et poli pour acier inoxydable 3M , Allchem Concentrated Cleaner, Samae, Twinkle, Cameo Copper Cleaner, Liquid Nu Steel, Copper's or Revere Stainless Steel Cleaner, appliquer avec un chiffon doux dans le même sens des lignes de polissage.
4. Lors de l'utilisation dans des environnements à l'air salé, nous recommandons de nettoyer toutes les surfaces en acier inoxydable au moins toutes les deux semaines pour maintenir l'article en parfait état. L'acier inoxydable résiste à la corrosion, mais il n'est pas imperméable à la rouille. L'exposition à l'air salé et aux embruns causera la rouille de surface si vous ne prenez pas soin de vos produits correctement. La meilleure chose à faire pour protéger l'acier inoxydable est de le nettoyer fréquemment.

* L'utilisation de dénominations est destinée uniquement à indiquer un type de nettoyant et ne constitue pas une approbation. Omission de tout propriétaire nettoyant ne signifie pas son inefficacité. Tous les produits doivent être utilisés en stricte conformité avec les instructions sur l'emballage.

Rangement



AVERTISSEMENT

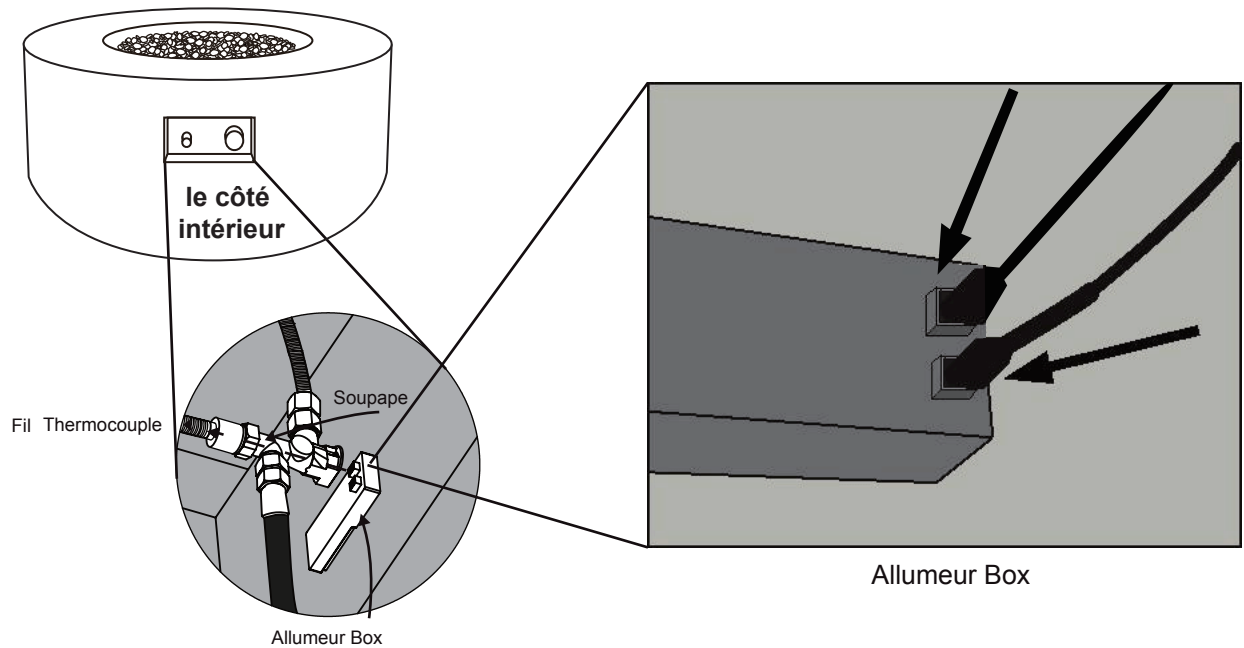
NE PAS déplacer ou entreposer cette table-foyer tant que le feu ne soit COMPLÈTEMENT éteint et que la table soit froide au toucher.

1. Fermer l'alimentation en gaz par la soupape d'arrêt et débrancher l'embout de déconnexion rapide de la source de gaz principale.
2. Retirez délicatement la charge de la pierre de lave et des composantes de magasin pour les protéger contre toute rupture.
3. TOUJOURS couvrir votre table à feu extérieure lorsqu'elle n'est pas utilisée.
4. Conserver dans un endroit frais et sec, loin des enfants et des animaux.

COMPOSITIONS DU GAZ ET CONNECTION

Si le brûleur ne s'allume pas ou reste allumé, effectuer les contrôles suivants.

1. S'assurer que le fil électrode est correctement raccordé. Les deux fil-électrodes doivent être entièrement insérés dans l'amorceur.A



2. Assurez-vous que le boîtier de pilote est dégagé.

Effacer tous les débris sur le dessus du boîtier pilote et assurez-vous qu'il n'y a pas de débris entre le dispositif d'allumage, du thermocouple et le tube de brûleur.

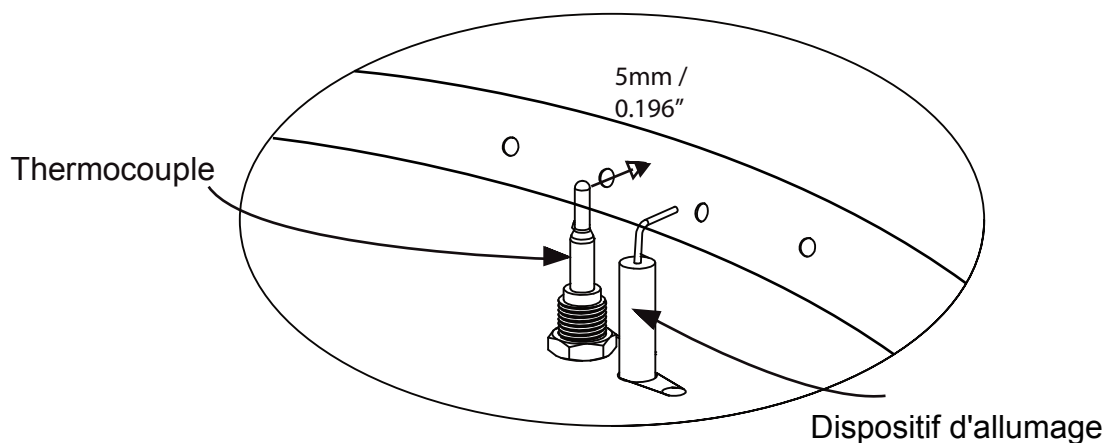


CORRECT

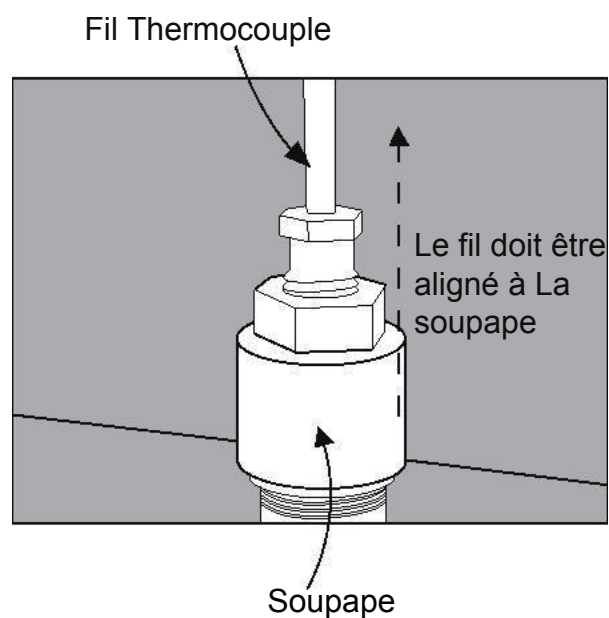
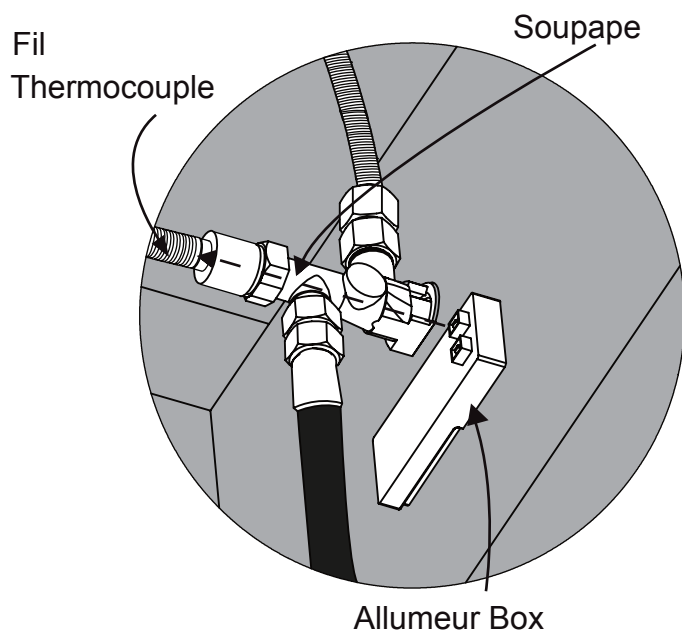


INCORRECT

COMPOSITIONS DU GAZ ET CONNECTION



3. Assurez-vous que le dispositif d'allumage et le thermocouple sont correctement positionnés.
- La broche allumeur doit être dirigée directement vers le thermocouple.
 - Le thermocouple doit être placé à une distance de 5 mm du tube de brûleur.



4. Assurez-vous que le fil de thermocouple est correctement positionné. Le fil du thermocouple doit être aligné avec la vanne.

DÉPANNAGE

Problème: Le brûleur ne se rallume pas en utilisant l'allumeur.

Cause possible 1: Electrodes et brûleurs sont humides. Sècher avec un chiffon sec.

Cause possible 2: La batterie de l'allumeur est morte ou placée à l'envers.

-Vérifier que la batterie AAA est correctement insérée dans l'allumeur (voir page 8) ou remplacer la batterie.

Cause possible 3: La broche d'allumeur est fissurée ou cassée – des étincelles à la fissure.

Appeller- Ocean Rock USA au 800-678-7294 pour le support technique.

Cause possible 4: Câble desserrée ou déconnectée.

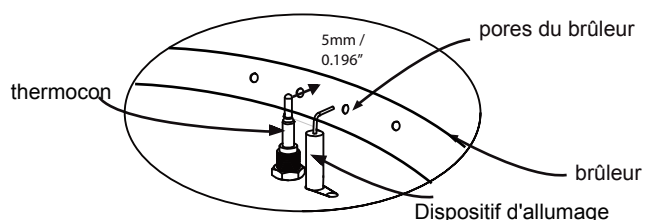
-Référence Page 15, étape 1, rebrancher le câble. Appeller Ocean Rock USA au 800-678-7294.

Cause possible 5: Court-circuit (étincelles) entre le dispositif d'allumage et l'électrode.

Appeller- Ocean Rock USA au 800-678-7294 pour assistance.

Cause possible 6: Mauvais dispositif d'allumage.

Appeller- Ocean Rock USA au 800-678-7294 pour assistance.



Problème: Le brûleur ne s'allume pas avec une allumette

Cause possible 1: Vérifier si l'alimentation en gaz est fermée. S'il n'est pas fermé, vous reporter à « Problème : Baisse soudaine de la circulation du gaz » à la page suivante.

Cause possible 2: Le connecteur rapide n'est pas entièrement inséré.

- Débrancher le connecteur rapide de l'alimentation en gaz et rebrancher pour vous assurer d'avoir un bon branchement. Ne pas utiliser d'outil, serrer à la main seulement

Cause possible 3: Circulation de gaz obstruée

- Vérifier s'il n'y a des tuyaux courbés ou pliés.

Cause possible 4: Orifices du brûleur obstrués ou bloqués.

-Référence "Problème: motif de flamme irrégulière" indiqué en page suivante. Nettoyez les orifices du brûleur comme décrit dans cette partie.

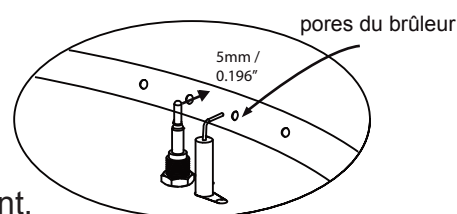
Problème: La table de feu émet beaucoup de fumée noire pendant son utilisation.

Cause possible 1: Le tuyau du foyer à gaz est pincé.

-S'assurer que le tuyau ne soit pas coincé entre la table de feu et la source de gaz.

Cause possible 2: la flamme est obstruée dans les ports du brûleur.

-Assurez-vous que les ports de gaz sur le brûleur ne sont pas bloqués par des pierres de lave de sorte que la flamme peut flamber naturellement.



DÉPANNAGE

Problème: Chute soudaine du débit de gaz, ou une hauteur de flamme réduite

Cause possible 1: Pas de gaz.

-Appeler-votre compagnie locale de gaz.

Cause possible 2: un excès du dispositif de sécurité de flux peut avoir été activé.

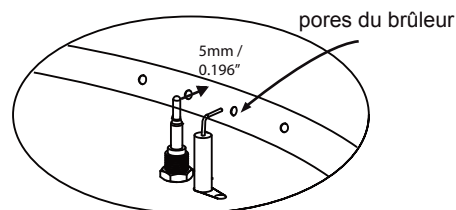
-Mettre le bouton de contrôle en position « OFF », attendre 30 secondes et allumer le foyer extérieur. Si les flammes sont toujours trop basses, réinitialiser le dispositif d'écoulement sécuritaire maximal en refermant le bouton de contrôle et la fourniture de gaz. Débrancher l'embout de débranchement rapide. Attendre 1 minute. Refermer le bouton de contrôle du brûleur. Rebrancher l'embout de débranchement rapide, mettre en fonction l'alimentation en gaz principale et faire un test d'étanchéité autour de la connexion de gaz naturel.

Problème: Flamme irrégulière, flamme ne couvrant pas le brûleur en entier

Cause possible: Les orifices du brûleur sont obstrués ou bloqués.

-Nettoyer les orifices du brûleur. Pour ce faire, insérer un trombone dans chacun des orifices du brûleur pour assurer qu'ils ne sont pas obstrués

AVERTISSEMENT: Assurez-vous que le brûleur ne marche pas et que l'alimentation en gaz a été correctement déconnectée. Prévoyez 15 minutes pour l'équipement de se refroidir avant de le toucher.



Problème: Extinction de la flamme

Cause possible 1: Des vents forts ou des bourrasques de vent.

- Augmenter la flamme en position « HIGH ».

Cause possible 2: Faible quantité de gaz naturel

- Contacter votre fournisseur de gaz.

Cause possible 3: La soupape de l'écoulement maximale ne fonctionne pas.

- Vous reporter au « Problème : Chute soudaine de la circulation du gaz ».

GARANTIE

Ocean Rock USA INC. faisant affaire avec Ocean Rock, garantit que les caractéristiques d'incendie et accessoires Ocean Rock sont exempts de tout défaut de pièces et de fabrication, en utilisation normale et de service pour une période de 1 an à compter de la date d'achat. Dans le cas de tels défauts Ocean Rock, aura à réparer ou remplacer le produit défectueux. Ce qui précède est à la discrétion d'Ocean Rock.

Il n'y aura pas de frais pour les pièces de rechange ou d'un produit, mais le consommateur aura la responsabilité de retourner le produit au lieu d'achat.

Ocean Rock ne sera pas responsable des dommages indirects en sus du prix d'achat du produit sur lequel cette responsabilité est basée et la garantie ne couvre pas les coûts, y compris le frais, l'enlèvement et la réinstallation.

Cette garantie est non transférable et s'applique uniquement pour les unités qui sont à des fins et usage personnel non commercial.

D'après ce contrat de garantie, toutes les lignes de gaz doivent être installées par un installateur de gaz agréé.

Les dommages causés par le transport maritime, la décoloration et les abus ne sont pas couverts par cette garantie. De même les bosses et les égratinures, la décoloration et l'altération naturelle ne sont pas couverts par cette garantie. La roche décorative n'est pas couverte par cette garantie. Une mauvaise installation, la réparation ou modifications apportées par une personne autre que Ocean Rock annulera cette garantie et tout dommage causé par ce dernier ne seront plus couverts par cette garantie.

Déchiquetage mineures, non résistance aux intempéries, taches d'eau et les fissures non structurelles sont typiques au matériau de ce produit et ne sont pas couverts par cette garantie. Certaines couleurs et texture peuvent varier, ce qui est typique au matériau et la finition pour ce produit ; ces détails ne sont pas couverts par cette garantie.

MODENO

Ocean Rock USA INC.

692 Parkridge Ave Norco, CA 92860, USA

www.oceanrockusa.com

info@oceanrockusa.com

Tel: 800-678-7294