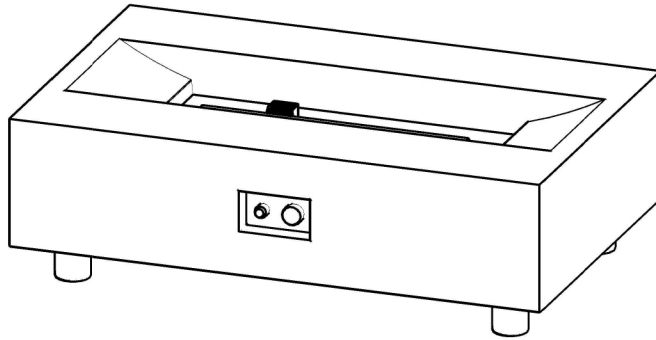


MILLENIA



BODY SPECIFICATIONS

Material: Fiberglass reinforced concrete
Available colors: Slate grey, Charcoal grey

BURNER SPECIFICATIONS

Certification: CSA listed
Heat Output: 50,000 BTU
Material: 304 stainless steel
Fuel Type: Natural gas, propane
Ignition: 1.5v DC battery

WEIGHT

190 pounds with media

INCLUDED ACCESSORIES

3" high aluminum legs (set of 4)
Weatherproof canvas cover
Bali beach rock (50 pounds)

OPTIONAL ACCESSORIES

Burner cover SKU: ABC-4515R
Wind guard SKU: GWS-4515R
NG conversion kit SKU: CON-NG
LP conversion kit SKU: CON-LP

WARRANTY

Limited 1 year

