



## Keystone B-Vent Fireplaces Premium (BVP42) and Deluxe (BVD34 & BVD36)

Keystone 42 B-Vent Fireplace in a White Profile Mantel trimmed with Black Slat Louvers, Aged Brick Liner and Custom Tile Surround



# Keystone Series

## Keystone Premium & Deluxe Models

Keystone B-Vent Fireplaces combine modern technology with traditional venting to create the appearance and performance of a conventional fireplace but with the convenience of gas.

Our B-Vent systems let you prolong the flicker of the flames without overheating your room. The BVD34 input is 21,000 Btu; the BVD36 is 25,000 Btu; and the Premium BVP42 is 30,000 Btu.

FBB4 automatic Blower with variable speed control may be used on Louvered models.

## Standard Features

- Millivolt and Intermittent Pilot Models
- Louvered and Flush Models
- Natural Gas (LP conversion available)
- Zero Clearance Certified
- Remote Control Options
- A Variety of Decorative Accessories



*Keystone hand-painted Ceramic Fiber Log Set (BVD34) on Contour Burner*



*Keystone 34 Deluxe Flush B-Vent Fireplace*



*Keystone 42 Premium Flush B-Vent Fireplace shown with optional Ceramic Aged Brick Liner*

# Options & Accessories

## Outer Frames & Bottom Trim

Our metal three-piece outer frames let you transition from your fireplace to any adjoining surface – wooden mantel, tile, stone, or any noncombustible material. Choose from steel frames – with traditional crisp lines – or our new extruded aluminum frames – with a profile that combines gentle concaves with flat surfaces. Each is available in matte black or hammered pewter. Our bottom trim completes the fourth side of the color frame.

### Extruded Aluminum Frames



Matte Black  
(Shown on Cherry Mantel)



Hammered Pewter  
(Shown on Oak Mantel)

### Liners

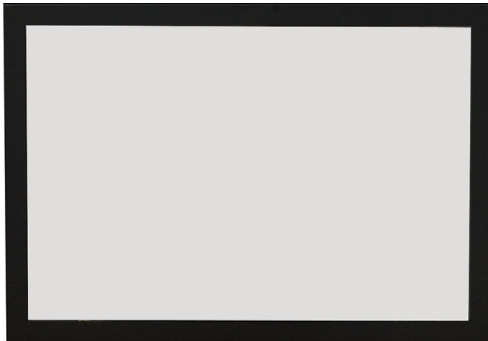


Aged Brick



Smoked Herringbone

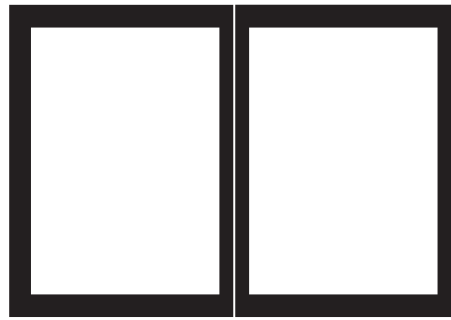
### Frame with Barrier Screen



Rectangle Door Frame with Barrier Screen

### Decorative Doors – include handles

Requires Rectangle Frame with Barrier Screen



Decorative Door Plain Rectangle

### Decorative Louvers – with screens



Decorative Louver Arch



Decorative Louver Mission

### Bottom Trim



Bottom Trim (Hammered Pewter)

### Control Options

Choose from battery-operated or electric remote control, or opt for the simple wall switch.



FWS Wall Switch

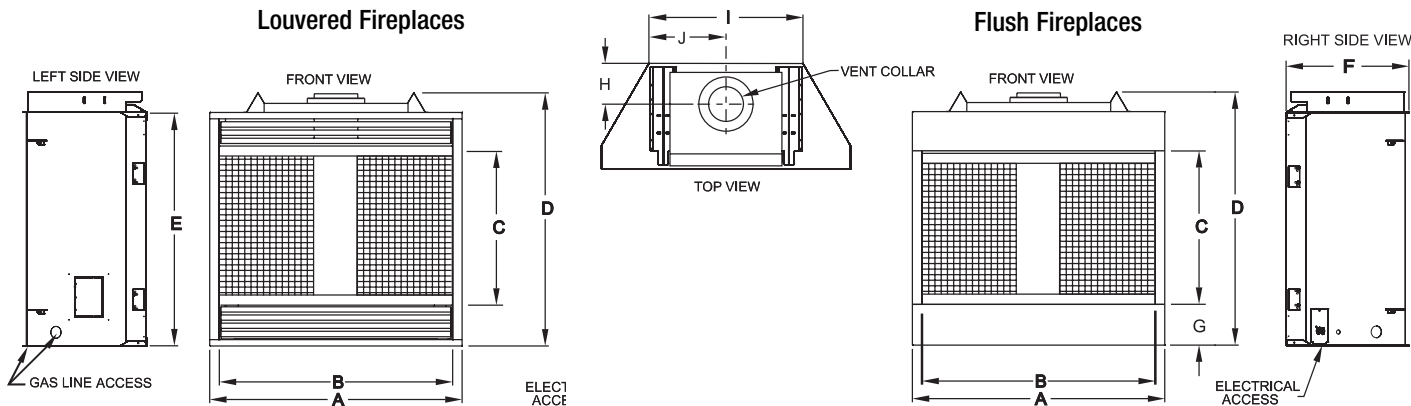


FRBC Battery-operated  
Remote Control

# Keystone Fireplace Specifications

Model	A	B	C	D	E	F	G	H	I	J	Max Weight (lb.)	Input Btu	Vent Size (inches)
<b>Keystone 34</b>	37	34	22 7/8	35 5/8	32 3/4	14 7/8	6 3/8	5 7/8	24 1/2	12 1/4	110	21,000	4
<b>Keystone 36</b>	39	36	24 7/8	37 5/8	34 3/4	18 3/8	6 3/8	8 3/8	22 1/2	11 1/4	121	25,000	6
<b>Keystone 42</b>	43	40	24 7/8	37 5/8	34 3/4	18 3/8	6 3/8	6 3/8	26 1/2	13 1/4	134	30,000	6

Fireplace Specification Dimensions are in inches.



## Keystone Fireplace Framing Dimensions

Model	Framing Width	Framing Height	Minimum Framing Depth
<b>Keystone 34</b>	37 3/8	35 3/4	14 3/8
<b>Keystone 36</b>	39 3/8	37 3/4	17 7/8
<b>Keystone 42</b>	43 3/8	37 3/4	17 7/8

All Framing Dimensions are in inches.

## Keystone Mantels – See Profile Mantels and Mantelshelves

For most installations, this B-Vent fireplace will be framed in behind a wall or in a chase.

Gas Inlet for Fireplace Models	
Type of Gas	Natural (LP conversion kit available)
Iron Pipe Size (N.P.T.)	1/2-inch
Ignition System	Standing Pilot/Piezo or Intermittent Pilot

### Warranty

All parts carry a 3-year limited warranty.

All remote controls carry a 1-year limited warranty.

Empire is committed to continuous product improvement; specifications are subject to change without notice. Dimensions in this brochure are approximate; read and follow the framing dimensions in the owners manual supplied with your Empire product. Flame size, shape, and color will vary from photos.

This appliance is design-certified to the ANSI standard by:

Member of the following industry associations:



SINCE 1932

Empire Comfort Systems Inc.  
918 Freeburg Ave.  
Belleville, IL 62220-2623  
info@empirecomfort.com

WMH-00702 3/15/19

The Empire Comfort Systems and White Mountain Hearth names and logos are registered U.S. trademarks.