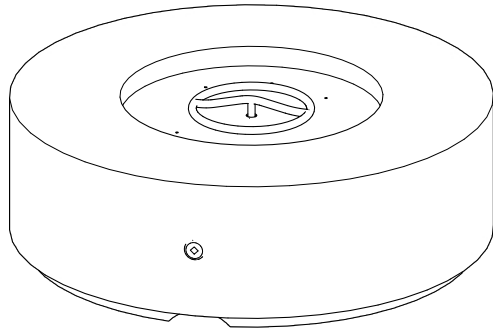
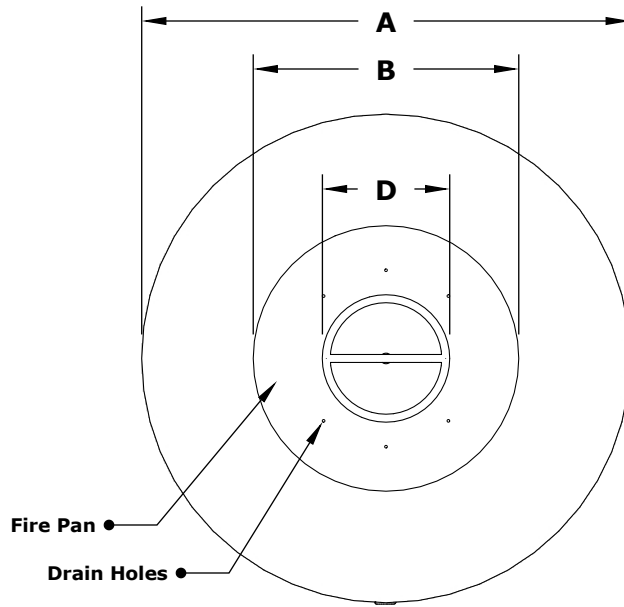


# FLORENCE CONCRETE FIRE PIT

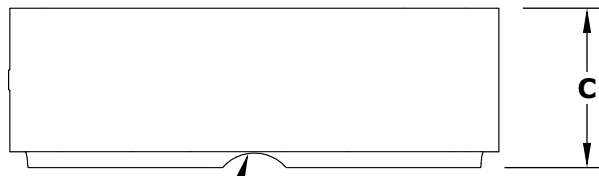
## LOW PROFILE UNITS - NO DOORS



**ISOMETRIC VIEW**



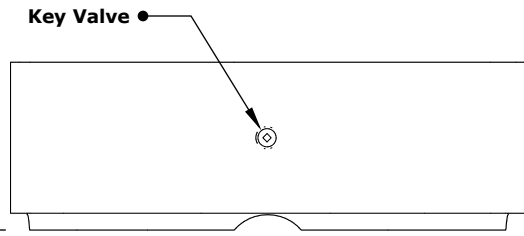
**TOP VIEW**



Ventilation ●

**RIGHT SIDE VIEW**

1 1/2"



Key Valve ●

**FRONT SIDE VIEW**

SKU	A	B	C	D	BTU
OPT-FL42	42"	25"	12"	12"	65,000
OPT-FL42EKIT	42"	25"	12"	12"	65,000

Fire Pit Material: GFRC Concrete  
 Pan Material: 304 Stainless Steel  
 Burner Material: 304 Stainless Steel

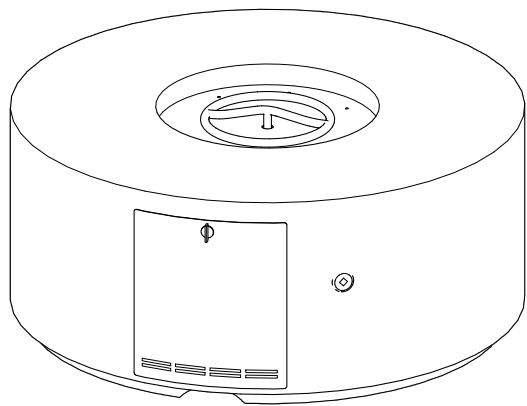
Standard 2" Depth on all pans

**110V ELECTRONIC IGNITION**  
 ANSI Z21.97-(2017) / CSA 2.41-(2017)

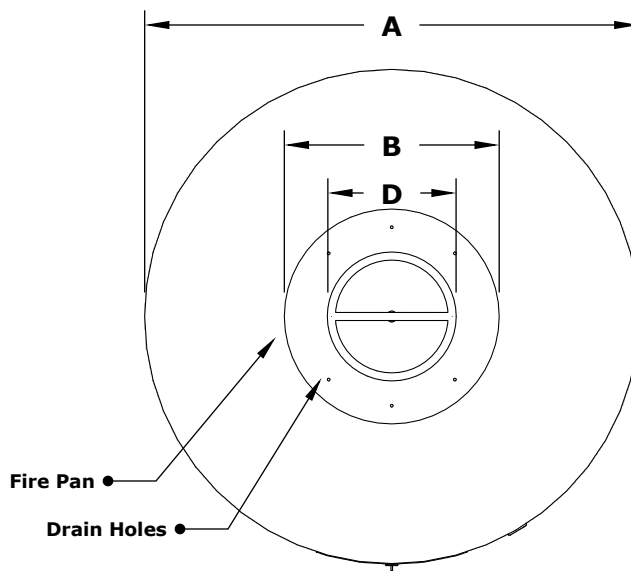


Match Lit Unit Includes: Pan, Burner, Gas Orifice, Gas Hoses, Key Valve, Key,  
 110v Ignition Unit Includes: Pan, Burner, Gas Orifice, Gas Hoses, Key Valve, Key, Plug & Play Electronic Valve, Pilot Igniter.

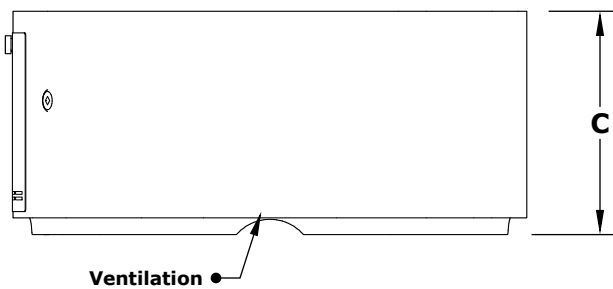
# FLORENCE CONCRETE FIRE PIT UNITS WITH PROPANE TANK STORAGE



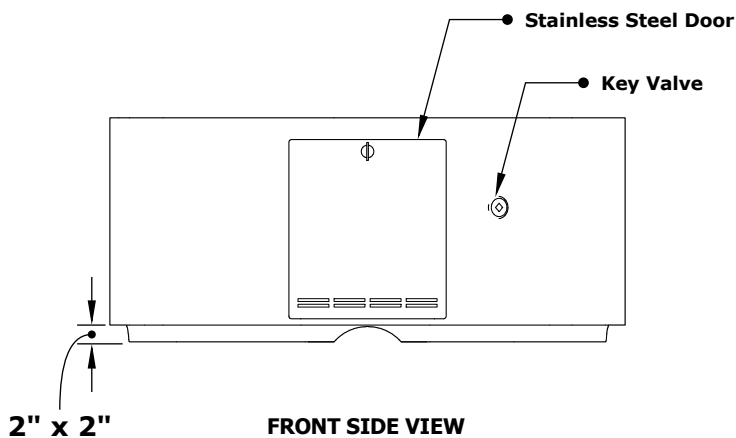
**ISOMETRIC VIEW**



**TOP VIEW**



**RIGHT SIDE VIEW**



**FRONT SIDE VIEW**

SKU	A	B	C	D	BTU
OPT-FL4224	42"	25"	24	12"	65,000
OPT-FL4620	46"	21"	20"	12"	65,000
OPT-FL54	54"	30"	20"	12"	65,000
OPT-FL72	72"	48"	20"	18"	65,000
OPT-FL4224EKIT	42"	25"	24	12"	65,000
OPT-FL4620EKIT	46"	20"	20"	12"	65,000
OPT-FL54EKIT	54"	30"	20"	12"	65,000
OPT-FL72EKIT	72"	48"	20"	18"	65,000

Fire Pit Material: GFRC Concrete  
Pan Material: 304 Stainless Steel  
Burner Material: 304 Stainless Steel

Standard 2" Depth on all pans

**110V ELECTRONIC IGNITION**  
ANSI Z21.97-(2017) / CSA 2.41-(2017)



Match Lit Unit Includes: Pan, Burner, Gas Orifice, Gas Hoses, Key Valve, Key,  
110v Ignition Unit Includes: Pan, Burner, Gas Orifice, Gas Hoses, Key Valve, Key, Plug & Play Electronic Valve, Pilot Igniter.