

POD SERIES

FREESTANDING
FIRE PITS



Inspired by the shapes and forms of traditional pottery, Pod 40 and the smaller Pod 30 Fire Bowls bring a modern update to the classic fire pit. Their smokeless fire provides a warm and inviting outdoor centerpiece to gather around and relax in front of no matter the season.

Finish

Available in a variety of Fluid concrete colours.



Natural



Graphite



Bone

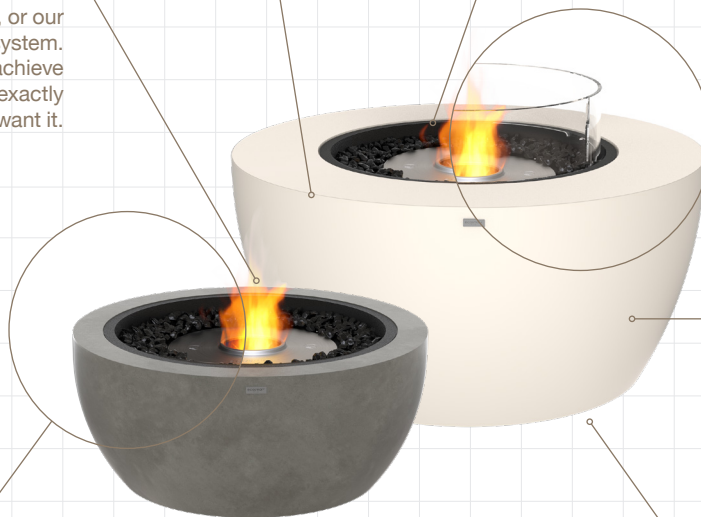
Concrete Surround Options

Triple Fuel Advantage

Choose between plumbed natural gas, readily available propane, or our eco-friendly bioethanol fuel system. We make it easy for you to achieve exactly what you want, for exactly where you want it.

Global Compliance

LP/NG Burners are UL/ULC Listed. Bioethanol Burner is UL Listed, and ACCC Safety Mandate compliant.



Optional Fire Screen

Pair with a toughened glass fire screen, which stabilises the flame in windy conditions.

Versatile and Incredibly Durable

EcoSmart portable fireplaces are versatile, incredibly durable, and are constructed of weather resistant materials. These appliances are designed to look great for years, and will perform admirably through all four seasons.

Burner Colors

Bioethanol models are available with a Stainless Steel or Black Burner.

Available in Two Sizes

The Pod Series are available in two sizes – Pod 30 and Pod 40 – and are striking either standalone or together.

Quick and Easy

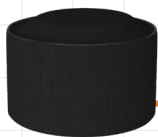
With no installation or building works required, simply unpack, put into position, and off you go.

Included Accessories

Optional Accessories



Black Glass Charcoal



Winter Storage Bag (Outdoor models only)



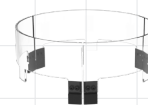
Jerry Can (Ethanol only)



Lighting Rod + Lighter (Ethanol only)



AB8 Burner Efficiency Ring (Ethanol only)



Fire Screen



Tank (Cover, Stool/Side Table)

Disclaimer: All product specifications and data are subject to change without notice and believed to be correct at the time of publication. MAD Design Group (MDG), its affiliates, agents, and employees, and all persons acting on its or their behalf (collectively, "MAD Design Group"), disclaim any and all liability for any errors, inaccuracies or incompleteness contained herein or in any other disclosure relating to any product. MDG disclaims any and all liability arising out of the use or application of any product described herein or of any information provided herein to the maximum extent permitted by law. The product specifications do not expand or otherwise modify MDG's terms and conditions of purchase, including but not limited to the warranty expressed therein, which apply to these products. No license, express or implied, by estoppel or otherwise, to any intellectual property rights is granted by this document or by any conduct of MDG. Customers using or selling MDG products not expressly indicated for use in such applications do so entirely at their own risk and agree to fully indemnify MDG for any damages arising or resulting from such use or sale. Please contact authorised personnel from MDG to obtain written terms and conditions regarding products designed for such applications. Images are indicative only.

Pod 40



Application	Outdoor and Indoor ¹
Materials	Fluid Concrete, Grade 304 Stainless Steel Burner
Weight (approx)	50.3kg [110.6lbs] Weight includes burner and black glass charcoal.

LP/NG		
Concrete SKU's	■ Natural	ESF.5.O.PD4.NA.G
	■ Bone	ESF.5.O.PD4.BO.G
	■ Graphite	ESF.5.O.PD4.GH.G

BIOETHANOL		
Concrete SKU's	■ Natural	ESF.5.O.PD4.NA.E
	■ Bone	ESF.5.O.PD4.BO.E
	■ Graphite	ESF.5.O.PD4.GH.E

Burner Colors	Stainless Steel or Black
----------------------	--------------------------

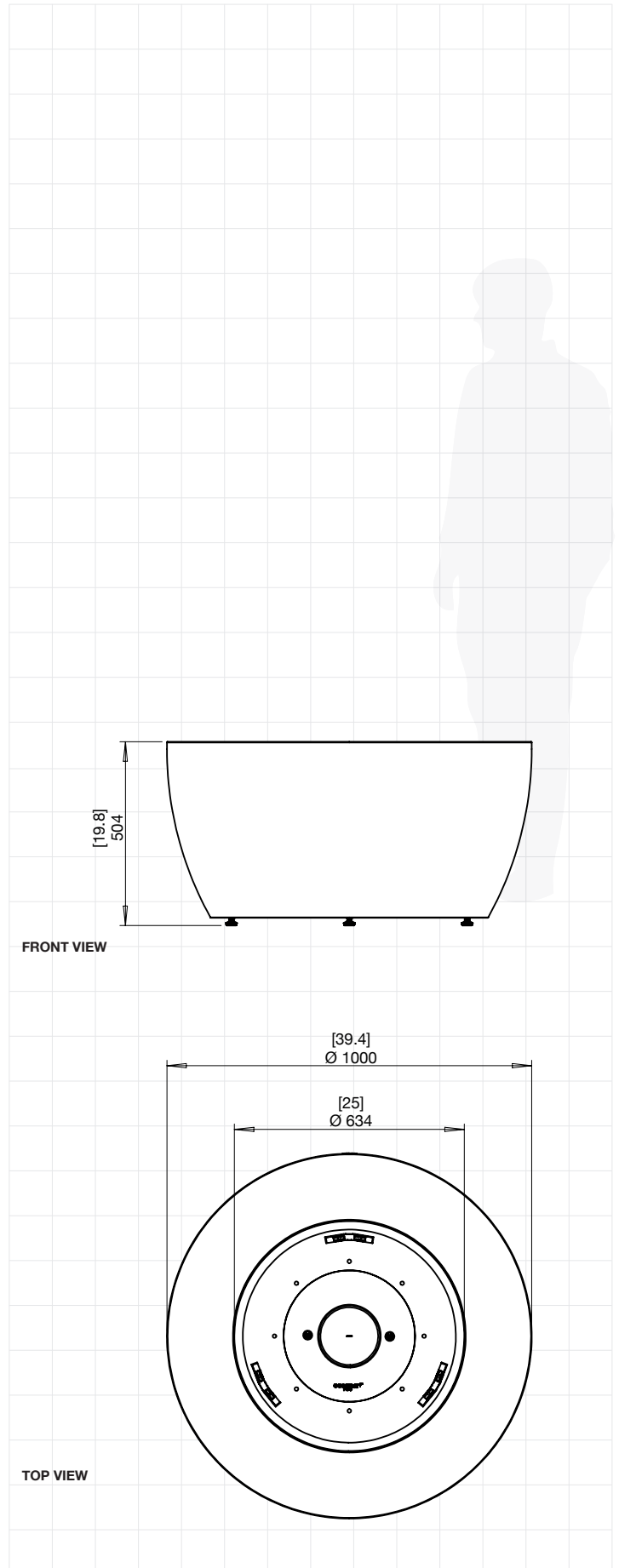
FUEL OPTIONS*	BTU/HR	BURN HOURS*
Liquid Propane	65,000	8 - 20
Natural Gas	65,000	Unlimited
Bioethanol	20,000	7 - 11

*These values are indicative only.

¹ Only bioethanol models are suitable to use indoors. For Indoor Use, additional parts are required. Your chosen application is the ONLY application the model can be used in due to modified configuration of the model. Please advise your Sales Representative at time of purchase so that the product can be configured accordingly.

This model comes with fixing brackets for permanently locating into a fixed position.

Global Compliance
LP/NG Burners are UL/ULC Listed. Bioethanol Burner is UL Listed, and ACCC Safety Mandate compliant.


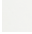


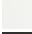



FOR MORE INFORMATION PLEASE REFERENCE THE CLEARANCE & INSTALLATION MANUAL

Disclaimer: All product specifications and data are subject to change without notice and believed to be correct at the time of publication. MAD Design Group (MDG), its affiliates, agents, and employees, and all persons acting on its or their behalf (collectively, "MAD Design Group"), disclaim any and all liability for any errors, inaccuracies or incompleteness contained herein or in any other disclosure relating to any product. MDG disclaims any and all liability arising out of the use or application of any product described herein or of any information provided herein to the maximum extent permitted by law. The product specifications do not expand or otherwise modify MDG's terms and conditions of purchase, including but not limited to the warranty expressed therein, which apply to these products. No license, express or implied, by estoppel or otherwise, to any intellectual property rights is granted by this document or by any conduct of MDG. Customers using or selling MDG products not expressly indicated for use in such applications do so entirely at their own risk and agree to fully indemnify MDG for any damages arising or resulting from such use or sale. Please contact authorized personnel from MDG to obtain written terms and conditions regarding products designed for such applications. Images are indicative only.

Pod 30



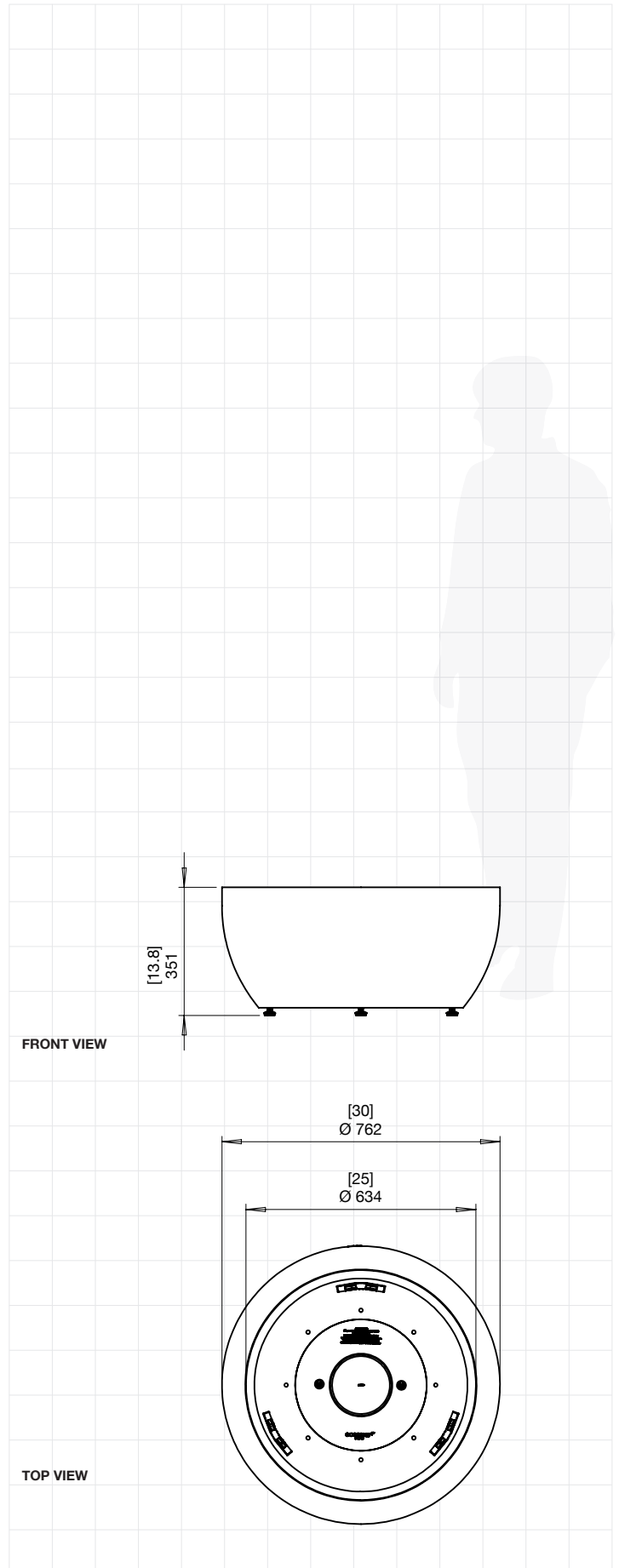
Application	Outdoor and Indoor ¹	
Materials	Fluid Concrete, Grade 304 Stainless Steel Burner	
Weight (approx)	39.3kg [86.4lbs] Weight includes burner and black glass charcoal.	
LP/NG		
Concrete SKU's	 Natural	ESF.5.O.PD3.NA.G
	 Bone	ESF.5.O.PD3.BO.G
	 Graphite	ESF.5.O.PD3.GH.G
BIOETHANOL		
Concrete SKU's	 Natural	ESF.5.O.PD3.NA.E
	 Bone	ESF.5.O.PD3.BO.E
	 Graphite	ESF.5.O.PD3.GH.E
Burner Colors	Stainless Steel or Black	
FUEL OPTIONS*	BTU/HR	BURN HOURS*
Liquid Propane	65,000	8 - 20
Natural Gas	65,000	Unlimited
Bioethanol	20,000	7 - 11

*These values are indicative only.

¹ Only bioethanol models are suitable to use indoors. For Indoor Use, additional parts are required. Your chosen application is the ONLY application the model can be used in due to modified configuration of the model. Please advise your Sales Representative at time of purchase so that the product can be configured accordingly.

This model comes with fixing brackets for permanently locating into a fixed position.

Global Compliance
LP/NG Burners are UL/ULC Listed. Bioethanol Burner is UL Listed, and ACCC Safety Mandate compliant.



FOR MORE INFORMATION PLEASE REFERENCE THE CLEARANCE & INSTALLATION MANUAL

Disclaimer: All product specifications and data are subject to change without notice and believed to be correct at the time of publication. MAD Design Group (MDG), its affiliates, agents, and employees, and all persons acting on its or their behalf (collectively, "MAD Design Group"), disclaim any and all liability for any errors, inaccuracies or incompleteness contained herein or in any other disclosure relating to any product. MDG disclaims any and all liability arising out of the use or application of any product described herein or of any information provided herein to the maximum extent permitted by law. The product specifications do not expand or otherwise modify MDG's terms and conditions of purchase, including but not limited to the warranty expressed therein, which apply to these products. No license, express or implied, by estoppel or otherwise, to any intellectual property rights is granted by this document or by any conduct of MDG. Customers using or selling MDG products not expressly indicated for use in such applications do so entirely at their own risk and agree to fully indemnify MDG for any damages arising or resulting from such use or sale. Please contact authorized personnel from MDG to obtain written terms and conditions regarding products designed for such applications. Images are indicative only.