

# LINEAR 130

## FIRE PIT KIT



The Linear 130's three EcoSmart burners provide the longest flame in the Fire Pit Kit Series, creating a stunning statement fireplace indoors or out – in spacious residential or commercial premises as a divider, definer, or design element integrated within a benchtop or dining table.

Our new EcoSmart Fire Pit Kits come with everything you need to create a custom design and bring your vision to life. Choose from six different shapes and sizes and three fuel types to create a one of a kind fire pit that enhances your lifestyle, space, and ambiance.

**Global Compliance**

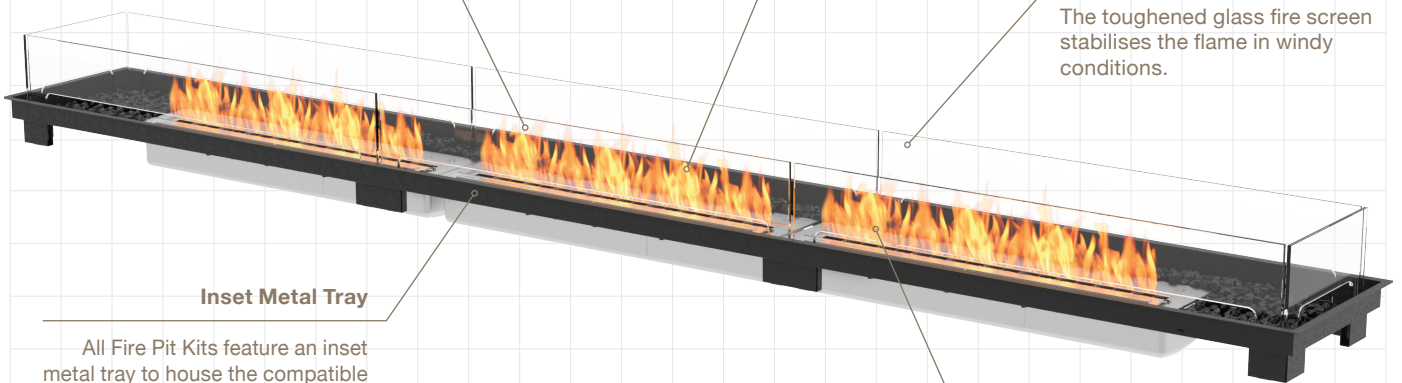
LP/NG Burners are UL/ULC Listed. Bioethanol Burner are UL Listed in accordance with ANSI/UL1370 in the USA, and comply with the ACCC Safety Mandate for Australia.

**Clean Burning Flame**

Unlike traditional wood fire pits, our fire pit kits produce no smoke, no soot, and no ash for an enjoyable experience without the mess.

**Fire Screen**

The toughened glass fire screen stabilises the flame in windy conditions.



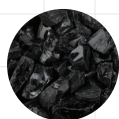
**Inset Metal Tray**

All Fire Pit Kits feature an inset metal tray to house the compatible burner, included decorative media and glass fire screen.

**Triple Fuel Advantage**

Choose between plumbed natural gas, readily available propane, or our eco-friendly bioethanol fuel system. We make it easy for you to achieve exactly what you want, for exactly where you want it.

**Included Accessories**



Black Glass Charcoal



Fire Screen



Jerry Can (Ethanol Only)



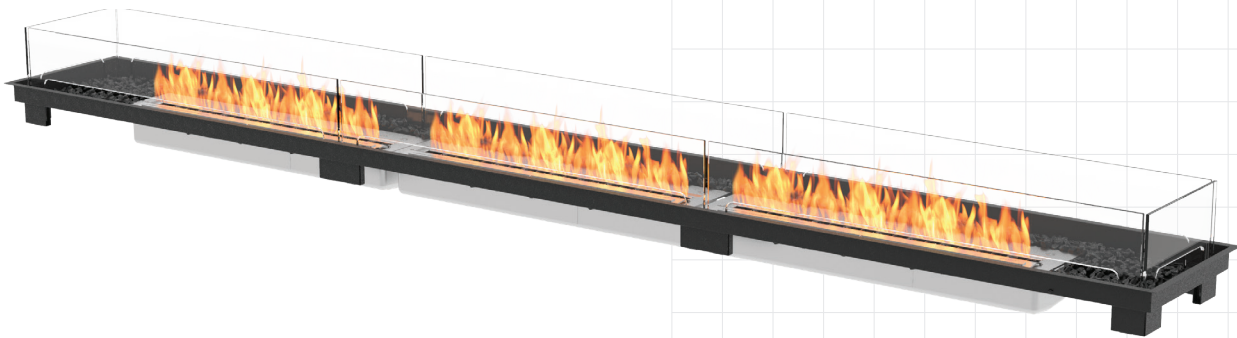
Lighting Rod + Lighter (Ethanol Only)



XL Baffles (Ethanol Only)

Disclaimer: All product specifications and data are subject to change without notice and believed to be correct at the time of publication. MAD Design Group (MDG), its affiliates, agents, and employees, and all persons acting on its or their behalf (collectively, "MAD Design Group"), disclaim any and all liability for any errors, inaccuracies or incompleteness contained herein or in any other disclosure relating to any product. MDG disclaims any and all liability arising out of the use or application of any product described herein or of any information provided herein to the maximum extent permitted by law. The product specifications do not expand or otherwise modify MDG's terms and conditions of purchase, including but not limited to the warranty expressed therein, which apply to these products. No license, express or implied, by estoppel or otherwise, to any intellectual property rights is granted by this document or by any conduct of MDG. Customers using or selling MDG products not expressly indicated for use in such applications do so entirely at their own risk and agree to fully indemnify MDG for any damages arising or resulting from such use or sale. Please contact authorised personnel from MDG to obtain written terms and conditions regarding products designed for such applications. Images are indicative only.

# Linear 130



<b>Application</b>	Outdoor and Indoor <sup>1</sup>	
<b>Materials</b>	Black High Temp Coated Stainless Steel, Grade 304 Stainless Steel Burner, Toughened Glass Fire Screen	
<b>Weight (approx)</b>	105.9kg [233.1lbs] Weight includes burner and accessories.	
<b>LP/NG SKU</b>	ESF.1.B.FPK.L.130.G	
<b>BIOETHANOL SKU</b>	ESF.1.B.FPK.L.130.E	
<b>FUEL OPTIONS*</b>	<b>BTU/H</b>	<b>BURN HOURS*</b>
<b>Liquid Propane</b>	65,000	8 - 20
<b>Natural Gas</b>	65,000	Unlimited
<b>Bioethanol</b>	15,000	8 - 13

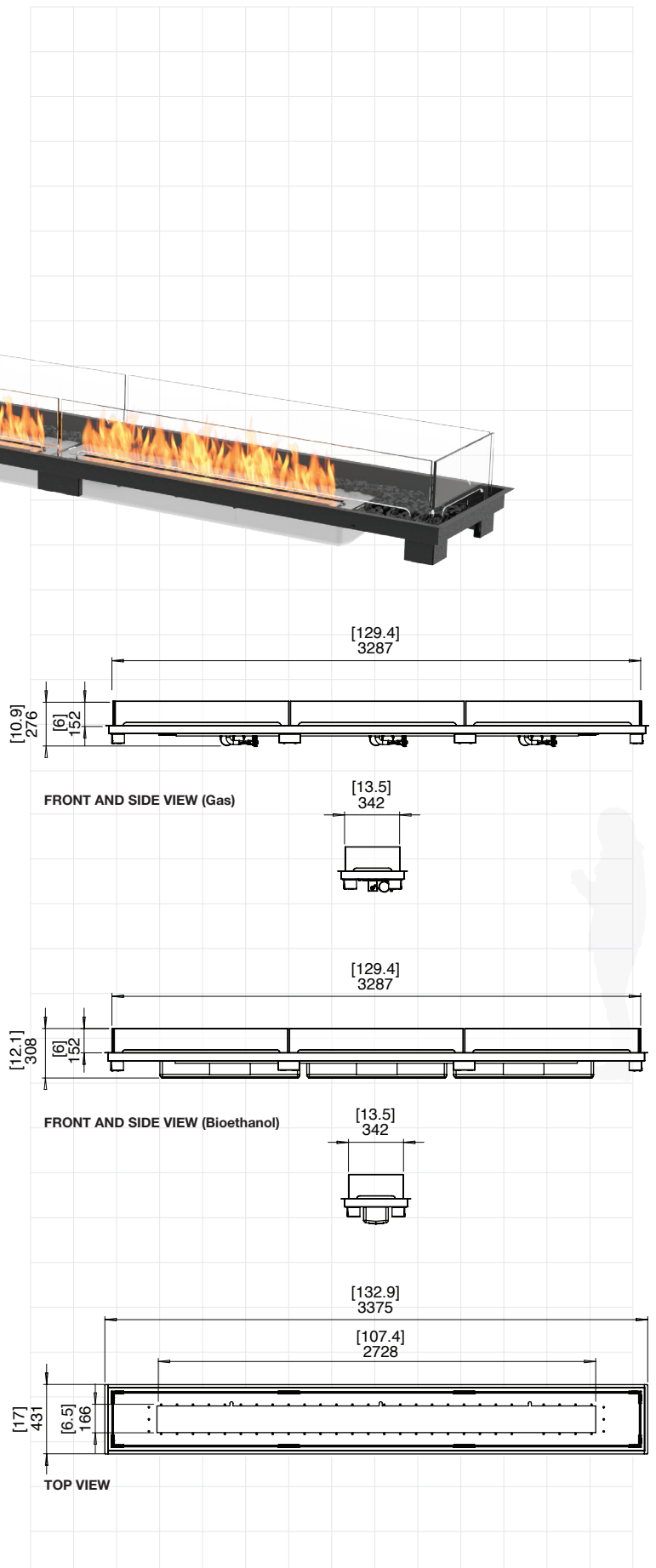
\*These values are indicative only, per burner.

<sup>1</sup>Only bioethanol models are suitable to use indoors.

For Indoor Use, additional parts are required. Your chosen application is the ONLY application the model can be used in due to modified configuration of the model. Please advise your Sales Representative at time of purchase so that the product can be configured accordingly.

#### Global Compliance

LP/NG Burners are UL/ULC Listed. Bioethanol Burner are UL Listed in accordance with ANSI/UL1370 in the USA, Certified by BSI in accordance with EN16647, and comply with the ACCC Safety Mandate for Australia.



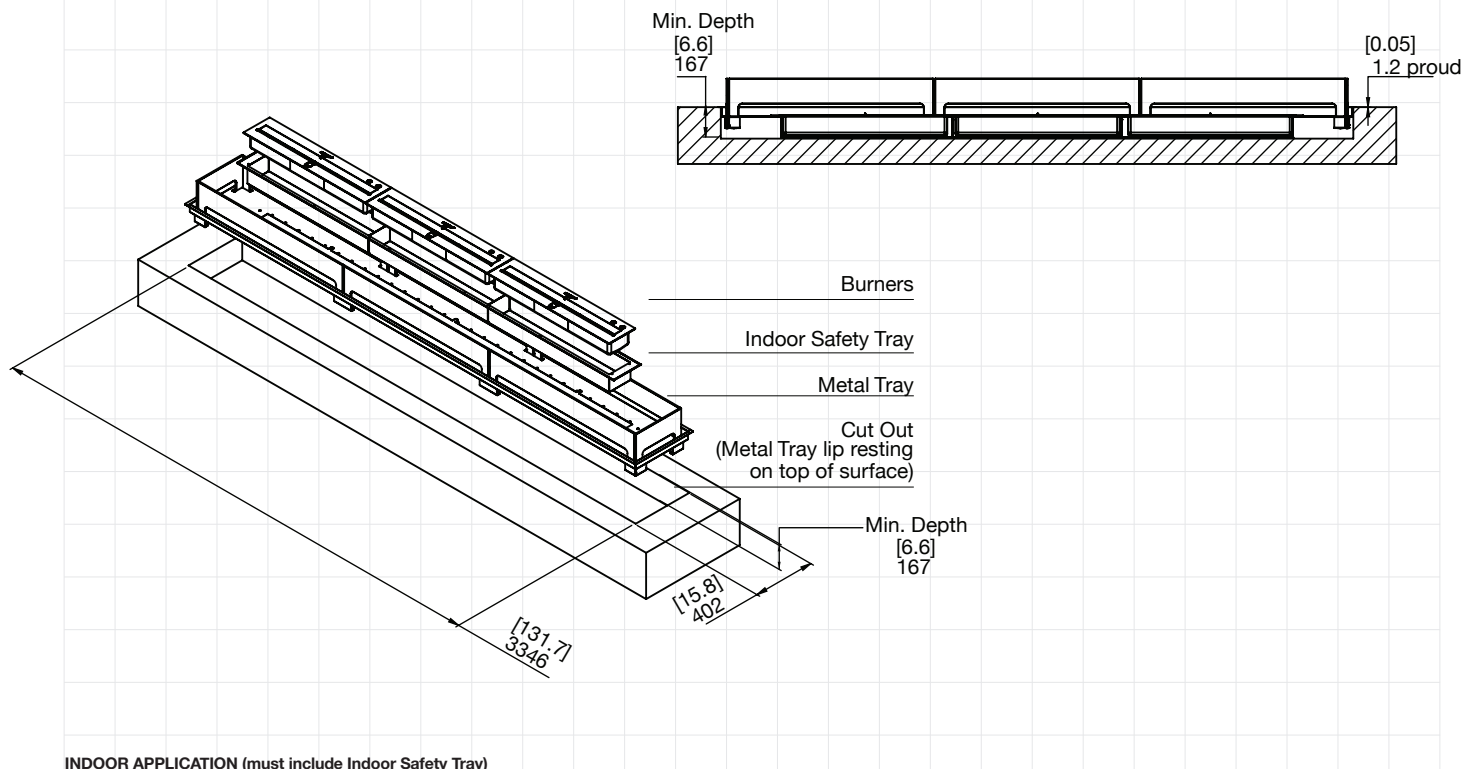
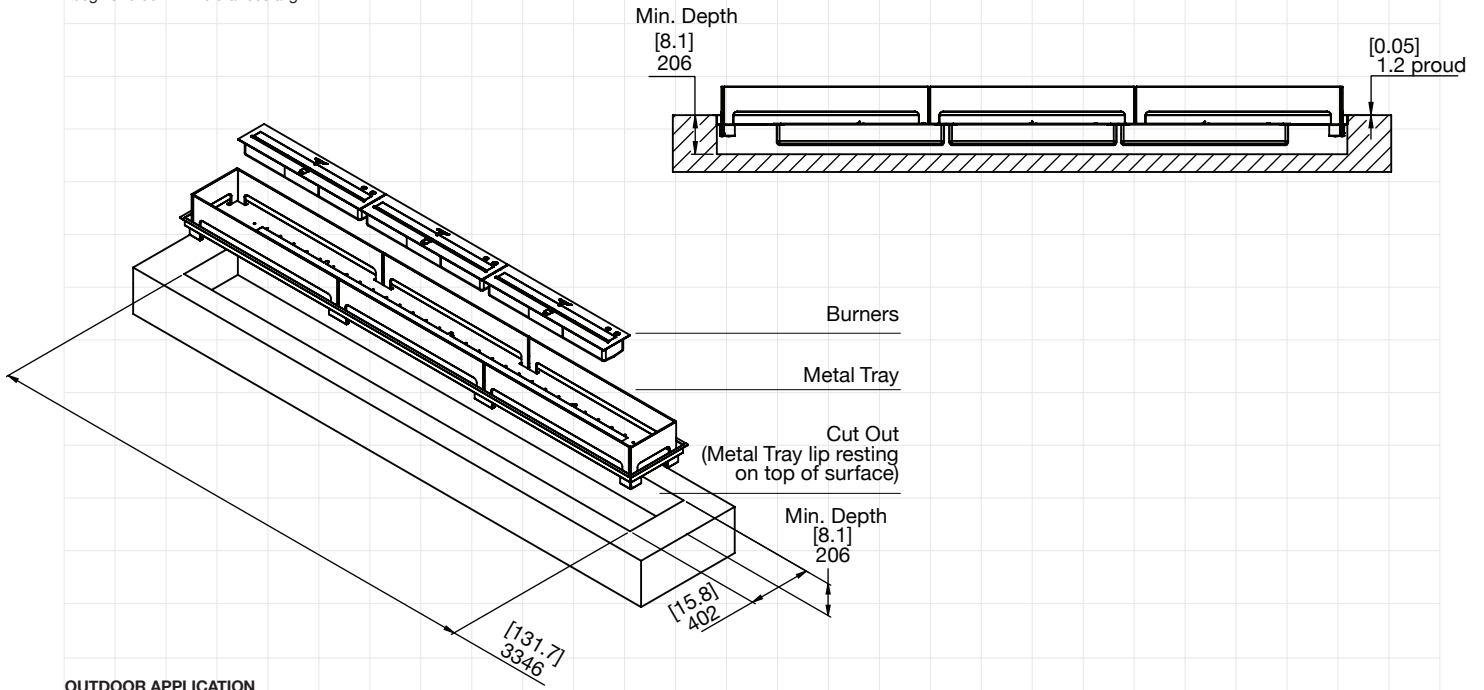
**FOR MORE INFORMATION PLEASE REFERENCE THE CLEARANCE & INSTALLATION MANUAL**

Disclaimer: All product specifications and data are subject to change without notice and believed to be correct at the time of publication. MAD Design Group (MDG), its affiliates, agents, and employees, and all persons acting on its or their behalf (collectively, "MAD Design Group"), disclaim any and all liability for any errors, inaccuracies or incompleteness contained herein or in any other disclosure relating to any product. MDG disclaims any and all liability arising out of the use or application of any product described herein or of any information provided herein to the maximum extent permitted by law. The product specifications do not expand or otherwise modify MDG's terms and conditions of purchase, including but not limited to the warranty expressed therein, which apply to these products. No license, express or implied, by estoppel or otherwise, to any intellectual property rights is granted by this document or by any conduct of MDG. Customers using or selling MDG products not expressly indicated for use in such applications do so entirely at their own risk and agree to fully indemnify MDG for any damages arising or resulting from such use or sale. Please contact authorized personnel from MDG to obtain written terms and conditions regarding products designed for such applications. Images are indicative only.

## Bioethanol

### Linear 130 Cut Out Dimensions

Physical model dimensions should be verified against cut out dimensions BEFORE installation begins to confirm tolerances align.

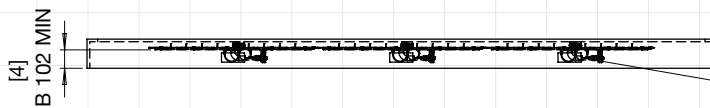
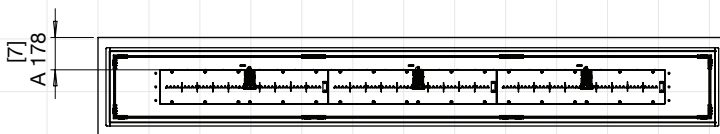
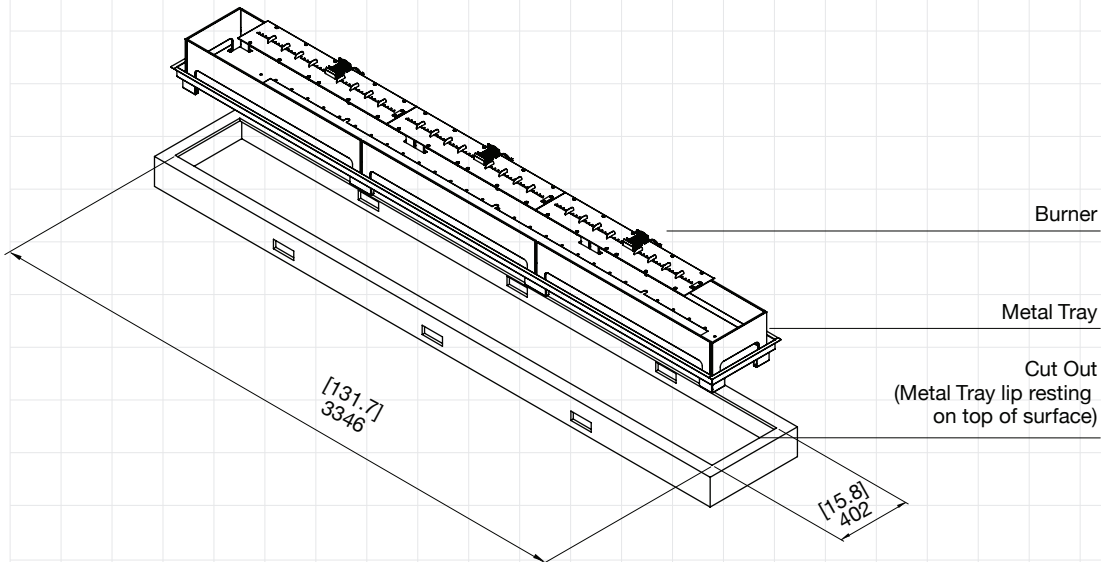


Disclaimer: All product specifications and data are subject to change without notice and believed to be correct at the time of publication. MAD Design Group (MDG), its affiliates, agents, and employees, and all persons acting on its or their behalf (collectively, "MAD Design Group"), disclaim any and all liability for any errors, inaccuracies or incompleteness contained herein or in any other disclosure relating to any product. MDG disclaims any and all liability arising out of the use or application of any product described herein or of any information provided herein to the maximum extent permitted by law. The product specifications do not expand or otherwise modify MDG's terms and conditions of purchase, including but not limited to the warranty expressed therein, which apply to these products. No license, express or implied, by estoppel or otherwise, to any intellectual property rights is granted by this document or by any conduct of MDG. Customers using or selling MDG products not expressly indicated for use in such applications do so entirely at their own risk and agree to fully indemnify MDG for any damages arising or resulting from such use or sale. Please contact authorized personnel from MDG to obtain written terms and conditions regarding products designed for such applications. Images are indicative only.

## Hard Piped Natural Gas

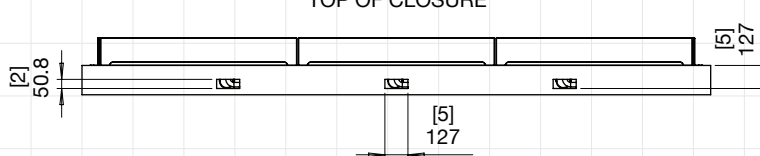
### Linear 130 Cut Out Dimensions

Physical model dimensions should be verified against cut out dimensions BEFORE installation begins to confirm tolerances align.



A 1/8IN ROD MUST BE ABLE TO PASS THROUGH ALL VENTS.  
NO SCREEN OR MESH SHOULD BE USED.

MINIMUM REQUIREMENT  
TOP OF CLOSURE



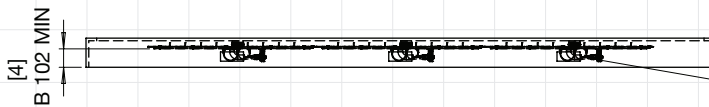
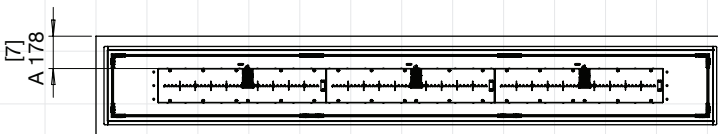
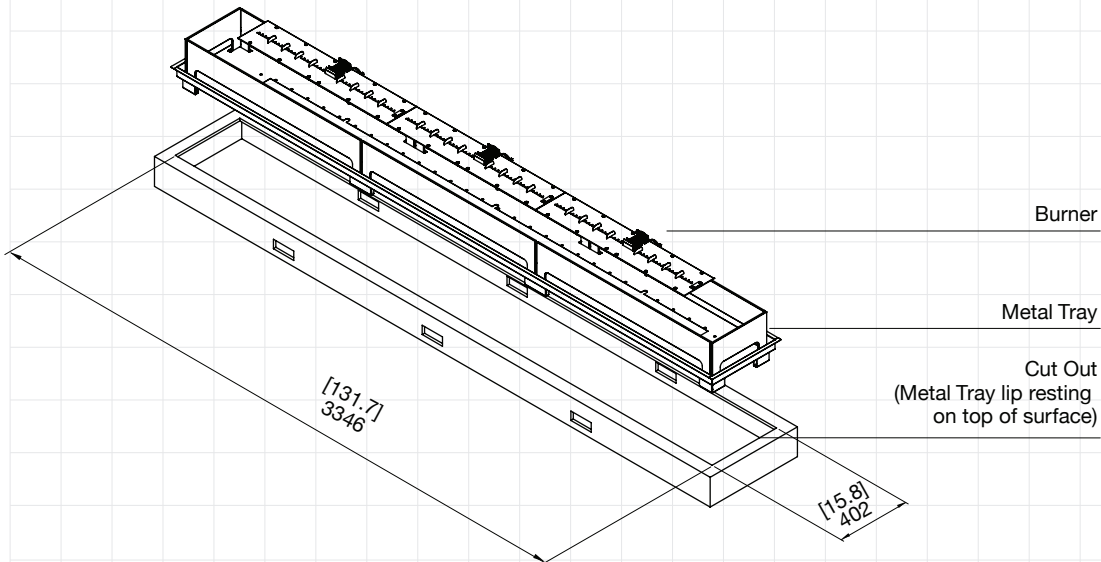
HARD-PIPED NATURAL GAS ENCLOSURE  
2 EQUAL SIZE VENTS REQUIRED.  
VENTS SHOULD BE WITHIN 127MM [5IN]  
OF THE TOP OF CLOSURE.

OUTDOOR APPLICATION ONLY

## Hard Piped Propane

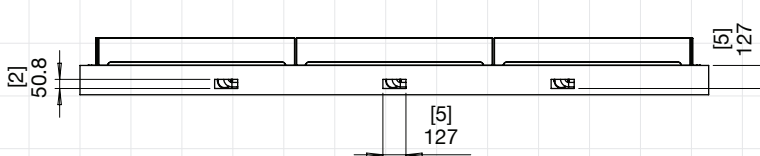
### Linear 130 Cut Out Dimensions

Physical model dimensions should be verified against cut out dimensions BEFORE installation begins to confirm tolerances align.



A 1/8IN ROD MUST BE ABLE TO PASS THROUGH ALL VENTS. NO SCREEN OR MESH SHOULD BE USED.

MINIMUM REQUIREMENT



HARD-PIPED PROPANE ENCLOSURE  
2 EQUAL SIZE VENTS REQUIRED.  
VENTS SHOULD BE WITHIN **127MM [5IN]**  
OF THE BOTTOM OF CLOSURE.

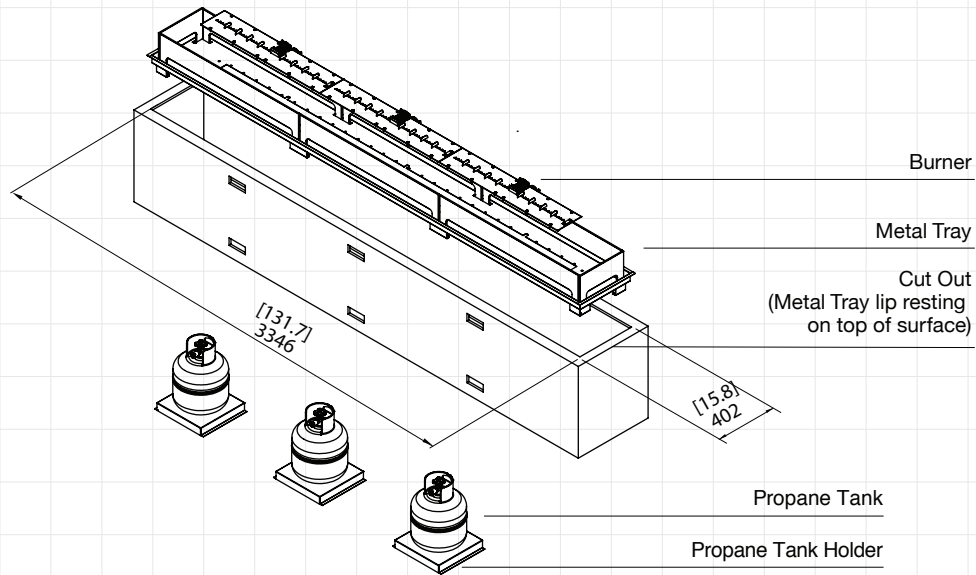
BOTTOM OF CLOSURE

OUTDOOR APPLICATION ONLY

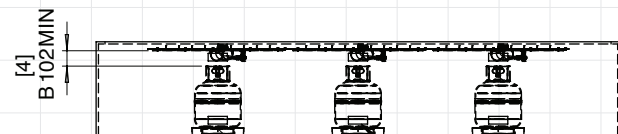
## Self Contained Propane

### Linear 130 Cut Out Dimensions

Physical model dimensions should be verified against cut out dimensions BEFORE installation begins to confirm tolerances align.



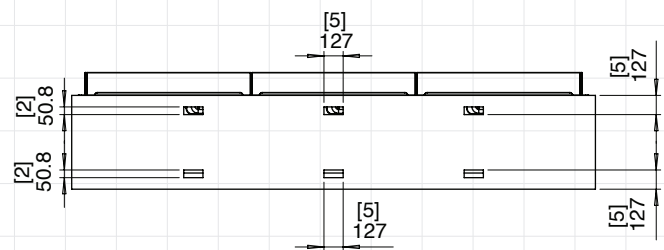
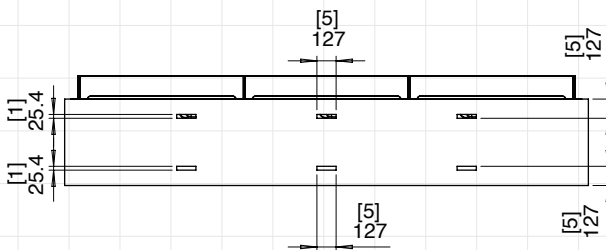
NOTE: Retention means must be provided to limit the movement of the LP gas cylinder.



A 1/8IN ROD MUST BE ABLE TO PASS THROUGH ALL VENTS. NO SCREEN OR MESH SHOULD BE USED.

#### MINIMUM REQUIREMENT

#### MINIMUM REQUIREMENT



**10LBS PROPANE BOTTLE ENCLOSURE**  
4 EQUAL SIZE VENTS REQUIRED

**20LBS PROPANE BOTTLE ENCLOSURE**  
4 EQUAL SIZE VENTS REQUIRED

TOP VENTS SHOULD BE WITHIN 127MM [5IN] OF THE TOP OF CLOSURE.  
BOTTOM VENTS SHOULD BE WITHIN 127MM [5IN] OF THE BOTTOM OF CLOSURE.

OUTDOOR APPLICATION ONLY