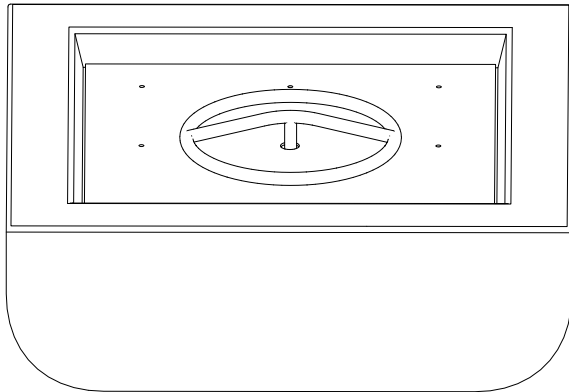
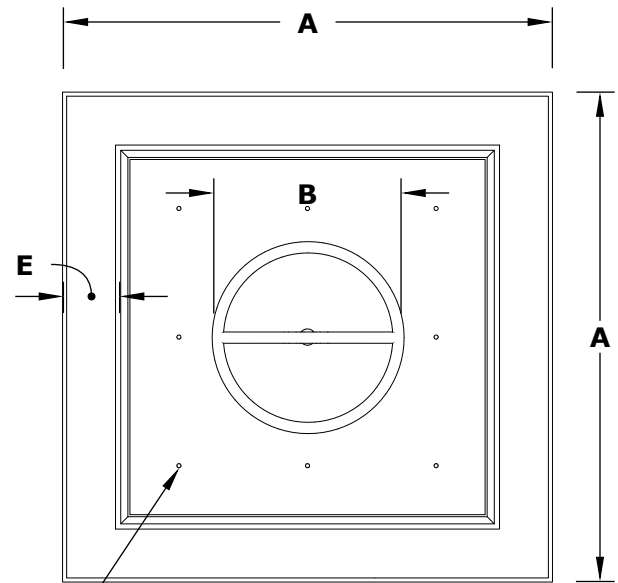


AVALON FIRE BOWL - GFRC CONCRETE

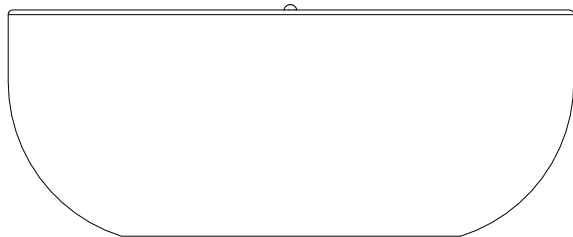


ISOMETRIC VIEW

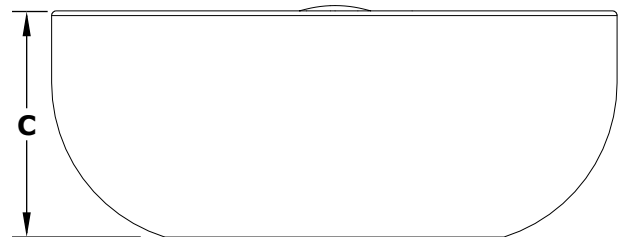


Drain Holes

TOP VIEW



RIGHT SIDE VIEW



FRONT SIDE VIEW

SKU	A	B	C	D	E	BTU
OPT-AVLFO24	24"	8"	10"	13"	2.5"	45,000
OPT-AVLFO30	30"	12"	12"	18"	3.5"	65,000
OPT-AVLFO36	36"	12"	12"	22"	4"	65,000
OPT-AVLFO24E12V	24"	8"	10"	13"	2.5"	45,000
OPT-AVLFO30E12V	30"	12"	12"	18"	3.5"	65,000
OPT-AVLFO36E12V	36"	12"	12"	22"	4"	65,000

Fire Pit Material: GFRC Concrete
 Finish: Smooth Finish
 Pan Material: 304 Stainless Steel
 Burner Material: 304 Stainless Steel

12V ELECTRONIC IGNITION
 ANSI Z21.97-(2017) / CSA 2.41-(2017)



Includes: Pan, Burner, Whistle Free Hoses, Black Lava Rock.