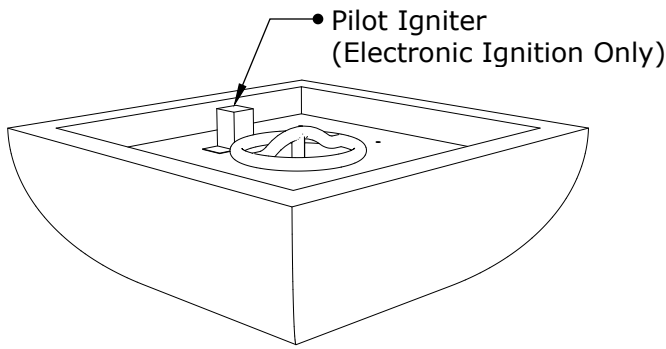
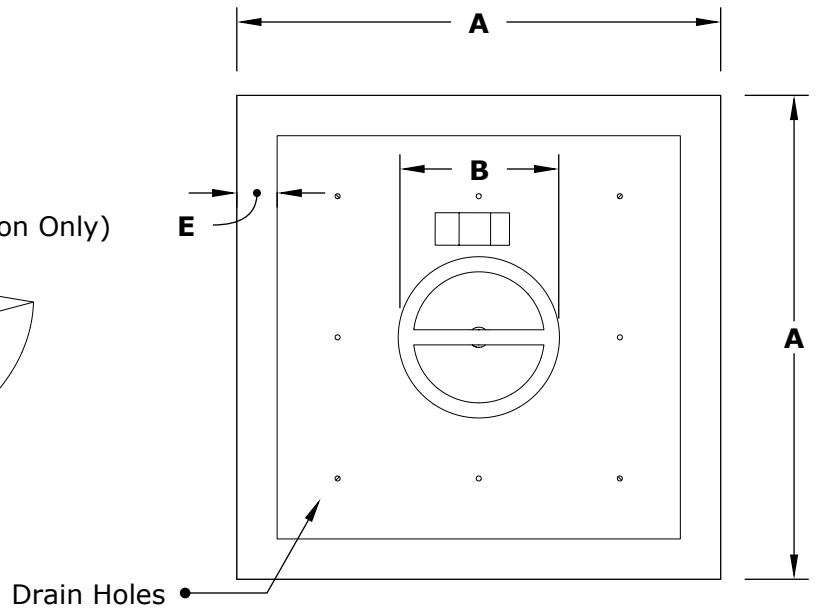


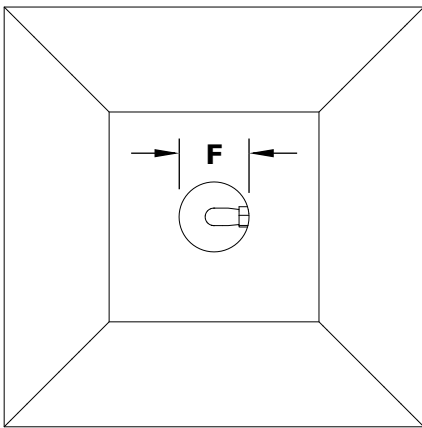
AVALON FIRE BOWL - METAL



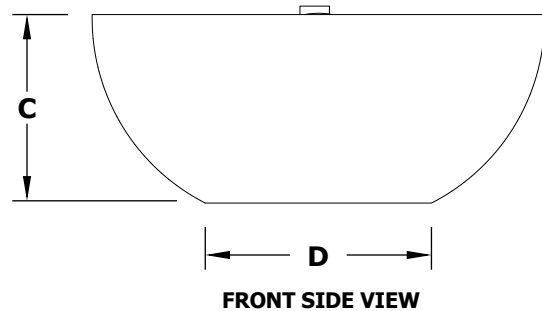
ISOMETRIC VIEW



TOP VIEW



RIGHT SIDE VIEW



FRONT SIDE VIEW

SKU	A	B	C	D	E	F	BTU
OPT-24AV(XX)F	24"	8"	10"	12"	2"	4"	45,000
OPT-30AV(XX)F	30"	12"	12"	15"	3"	4"	65,000
OPT-36AV(XX)F	36"	12"	12"	18"	3"	4"	65,000
OPT-24AV(XX)FE12V	24"	8"	10"	12"	2"	4"	45,000
OPT-30AV(XX)FE12V	30"	12"	12"	15"	3"	4"	65,000
OPT-36AV(XX)FE12V	36"	12"	12"	18"	3"	4"	65,000

Fire Bowl Material: Metal (Copper or Steel)
Finish: Hammered Patina Copper, Stainless Steel, or Powder Coated Steel
Pan Material: 304 Stainless Steel
Burner Material: 304 Stainless Steel

12V ELECTRONIC IGNITION
ANSI Z21.97-(2017) / CSA 2.41-(2017)



Match Lit Includes: Bowl, Pan, Burner, Whistle Free Hoses, Black Lava Rock.
Electronic Includes: Bowl, Pan, Burner, Pilot Igniter, Electronic Valve, Whistle Free Hoses, Black Lava Rock.