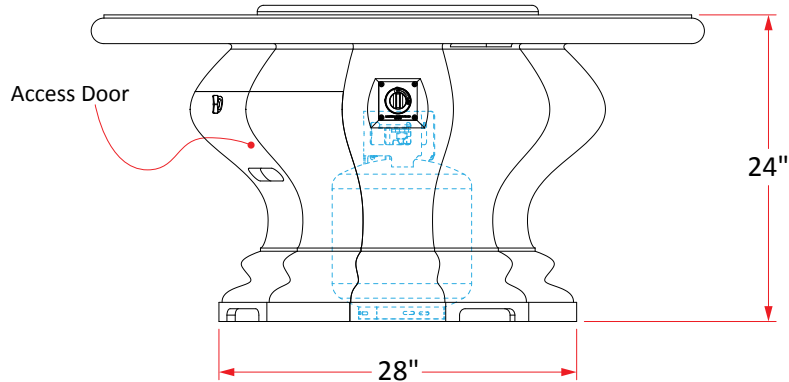
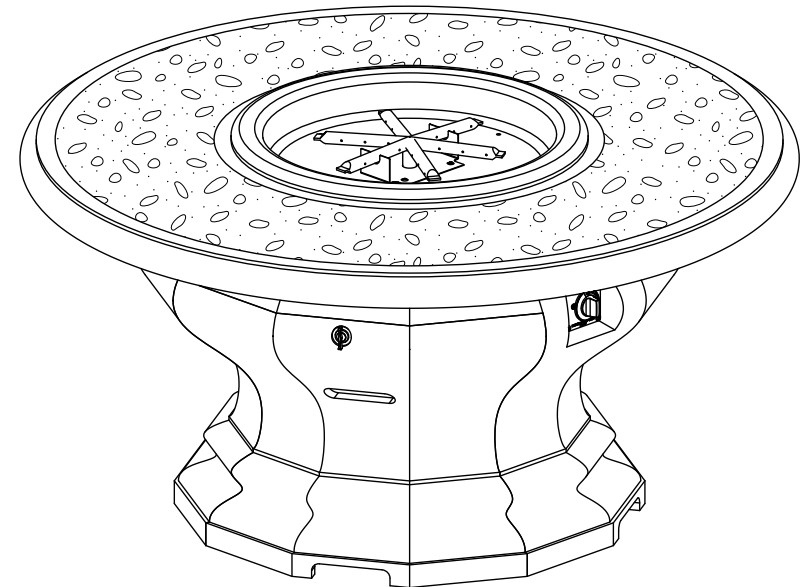
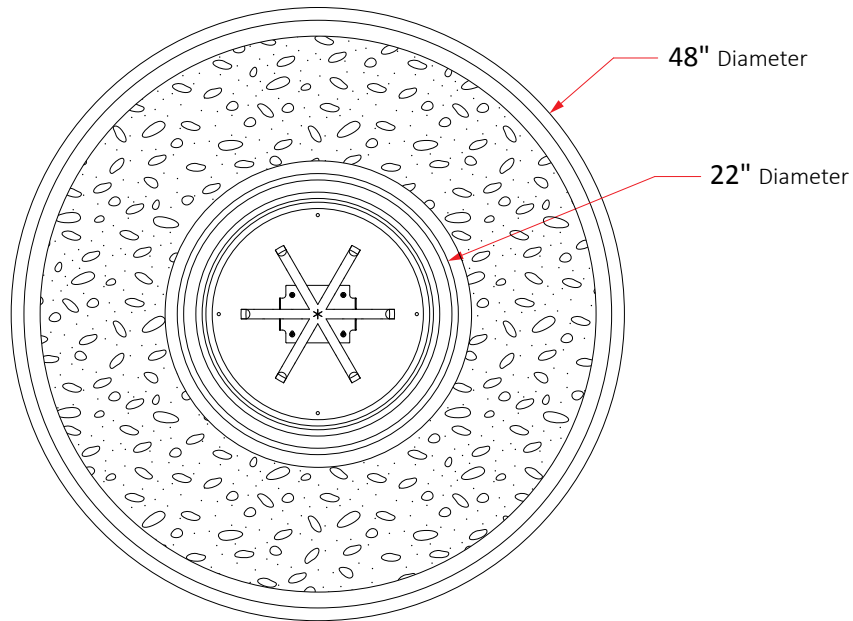


# Inverted Firetable (w/Artisan Glass Edition Top)

Model #: 631-xx-51-V2xC



**AMERICAN**  
**FYRE DESIGNS™**  
outdoor Products Collection

## #631 - Inverted Firetable Specs

Dimensions:	48" diameter x 24"h
Weight:	500 lbs
Key Valve (V2) BTU's:	60,000 (NG)/50,000 (LP)

Accepts a 5 gal. Propane tank inside the unit (not included).