



**INSTALLATION & OPERATION
MANUAL**

25-CBPAH
55-SHPCBPAH
55-TRPCBPAH



Manufactured By:
England's Stove Works, Inc.
PO Box 206
Monroe, VA 24574
Rev. 4/2022

www.heatredefined.com

Parts: (800) 516-3636
Support: (800) 245-6489

CAUTION

PLEASE READ THIS ENTIRE MANUAL BEFORE INSTALLATION AND USE OF THIS PELLET FUEL-BURNING APPLIANCE. KEEP CHILDREN, FURNITURE, AND ALL COMBUSTIBLES AWAY FROM ANY HEATING APPLIANCE.

SAFETY NOTICE

FAILURE TO FOLLOW THESE INSTRUCTIONS CAN RESULT IN PROPERTY DAMAGE, BODILY INJURY OR EVEN DEATH. FOR YOUR SAFETY AND PROTECTION, FOLLOW THE INSTALLATION INSTRUCTIONS OUTLINED IN THIS MANUAL. CONTACT YOUR LOCAL BUILDING OR FIRE OFFICIALS ABOUT RESTRICTIONS AND INSTALLATION INSPECTION REQUIREMENTS (INCLUDING PERMITS) IN YOUR AREA.

THIS WOOD HEATER NEEDS PERIODIC INSPECTION AND REPAIR FOR PROPER OPERATION. CONSULT THE OWNER'S MANUAL FOR FURTHER INFORMATION. IT IS AGAINST FEDERAL REGULATIONS TO OPERATE THIS WOOD HEATER IN A MANNER INCONSISTENT WITH THE OPERATING INSTRUCTIONS IN THE OWNER'S MANUAL.

La version française de ce manuel suit la version anglaise.

SAVE THESE INSTRUCTIONS



IMPORTANT: IF YOU HAVE A PROBLEM WITH THIS UNIT, DO NOT RETURN IT TO THE DEALER. CONTACT TECHNICAL SUPPORT @ 1-800-245-6489

Tamper Warning:

This wood heater has a manufacturer-set minimum low burn rate that must not be altered. It is against federal regulations to alter this setting or otherwise operate this wood heater in a manner inconsistent with operating instructions in this manual.

Mobile Home Use:

This freestanding pellet unit is approved for mobile home or doublewide installation with the outside combustion air hook-up See the "Installation" section of this manual for details pertaining to mobile home installations. Mobile home installation must be in accordance with the Manufactured Home and Safety Standard (HUD), CFR 3280, Part 24.

WARNING:

**USE OF OUTSIDE COMBUSTION AIR IS MANDATORY WITH THIS UNIT.
DO NOT OPERATE WITH THE HOPPER OPEN; LID MUST BE SHUT AND TIGHTLY LATCHED DURING OPERATION. DO NOT OVER-FIRE YOUR UNIT.**

Note: England's Stove Works does not recommend using a pellet stove as your only source of heat.

Retain for your files

Model Number _____

Date of Purchase _____

Date of Manufacture _____

Serial Number _____

Welcome!

Introduction

- Thank You 5

Specifications

- Heating Specifications 6
- Dimensions 6
- EPA Compliance..... 6

Installation

- Installation Overview.....7
- Clearances to Combustibles.....8
- Venting Introduction..... 9
- Venting Guidelines.....9
- Additional Venting Information...10
- Approved Venting Methods
 - Through the Wall11
 - Through the Ceiling.....12
 - Existing Chimney..... 13
- Mobile Home Installation..... 14
- Vent Termination Clearances..... 15
- Outside Air Hookup..... 16
- Floor Protection..... 17

Daily Operation

- Getting Started..... 18
- Lighting a Fire..... 18
- Daily Operation Notes 19

Control Board

- Control Board Settings..... 20
- Error Codes..... 21
- Power Failure 22

Maintenance

- Daily
 - Important Notes..... 23
 - Daily Ash Removal..... 23
 - Cleaning the Burn Pot..... 24
- Weekly
 - Baffle Removal..... 25
 - Clean-Out Covers..... 25

- Monthly
 - Important Notes 26
 - Venting Pipe Cleaning 27
- Yearly
 - Important Notes..... 28
 - Exhaust Blower..... 29
 - Convection Blower..... 29
 - Hopper Fines..... 30
 - Checking Gaskets..... 30
- Basic Troubleshooting 31

Replacing Components

- Auger Motor.....33
- Convection Blower.....34
- Combustion Blower.....35
- Vacuum Switch.....36
- Igniter.....37
- Gaskets.....38
- Glass.....39
- Control Board.....40
- Wiring Diagram.....41
- Hopper Lid Hinges.....42
- Hopper Lid Handle.....42
- Panels.....43
- Finish.....43

Illustrated Parts Detail

- Exploded Parts Diagram.....44
- Parts List..... 45

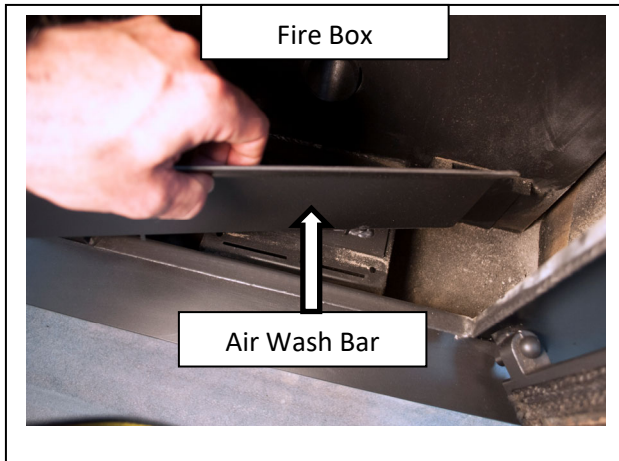
Warranty

- Serial Tag Sample.....47
- Warranty Details.....48
- Important Notice.....50
- Warranty Reg. Form.....51

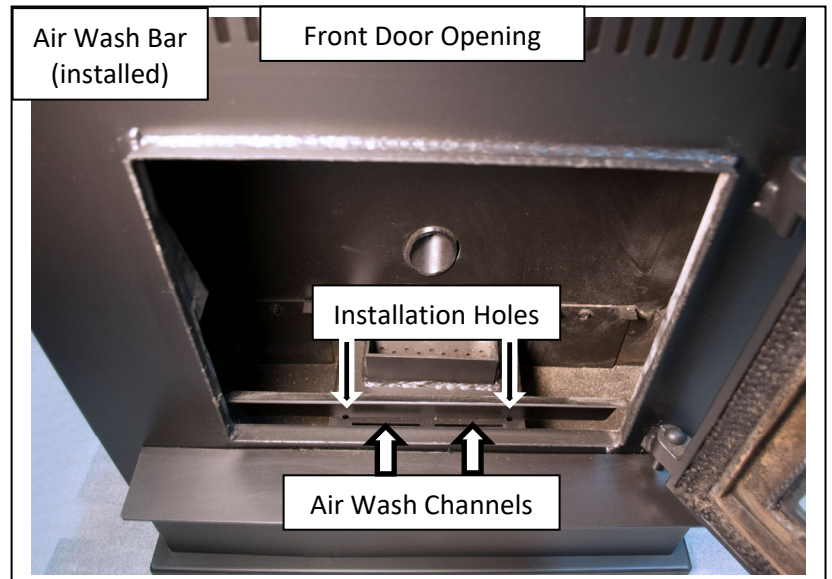
AIR WASH BAR PLACEMENT

CAUTION: The Air Wash Bar may become jarred loose during shipping.

BE SURE that the Air Wash Bar is installed properly before each fire, including after cleaning and maintenance.



The bend of the air wash bar should face TOWARD the front door



Install the Air Wash Bar tabs into the holes and not into the air wash channels

The Air Wash Bar should fit into the two installation holes and 'lean forward' on the front wall of the stove.

The bend in the bar should bend toward the front door opening, and not backward toward the burn pot.

INTRODUCTION

Thank you for purchasing this fine product from England's Stove Works! England's Stove Works was started, and is still owned by, a family that believes strongly in a "Do It Yourself" spirit; that's one reason you found this product at your favorite "Do It Yourself" store.

We intentionally design and build our stoves so that any homeowner can maintain their stove with basic tools, and we're always more than happy to help you do the job as easily and as inexpensively as possible. However, while remaining simple, our stoves are designed to perform extremely efficiently, helping deliver more heat from less fuel.

Please look at the extensive Help section on our website and call our Technical Support Department at (800) 245-6489 if you need any help with your stove. We are nearly always able to "walk you through" any installation issues, repairs, problems or other questions that you may have.

Wishing you years of efficient, quality and "comfy" heating,
Everyone at England's Stove Works

Please Note: While information obtained from our web site and through our Technical Support line is always free of charge, there will be a service charge incurred with any "on-site" repairs or maintenance that we may arrange.

This manual encompasses all versions of the 25-CBPAH, including the 55-SHPCBPAH and the 55-TRPCBPAH. However, for simplicity of description, the stove will be referred to by the generic 25-CBPAH designation.

This manual is available for free download on the manufacturer's web site. It is a copyrighted document and resale is strictly prohibited. The manufacturer may update this manual occasionally and cannot be responsible for problems including injuries or damages resulting from the use of information found in any manual from unauthorized sources.

CAUTION: Stove is heavy.

In addition, when handling any sheet metal products, be aware that there may be sharp edges or burrs. Although we make every effort to eliminate any sharp edges, please use caution when handling any metal parts. Remember to disconnect (unplug) the stove from the power source and allow it to completely cool down before performing any maintenance.

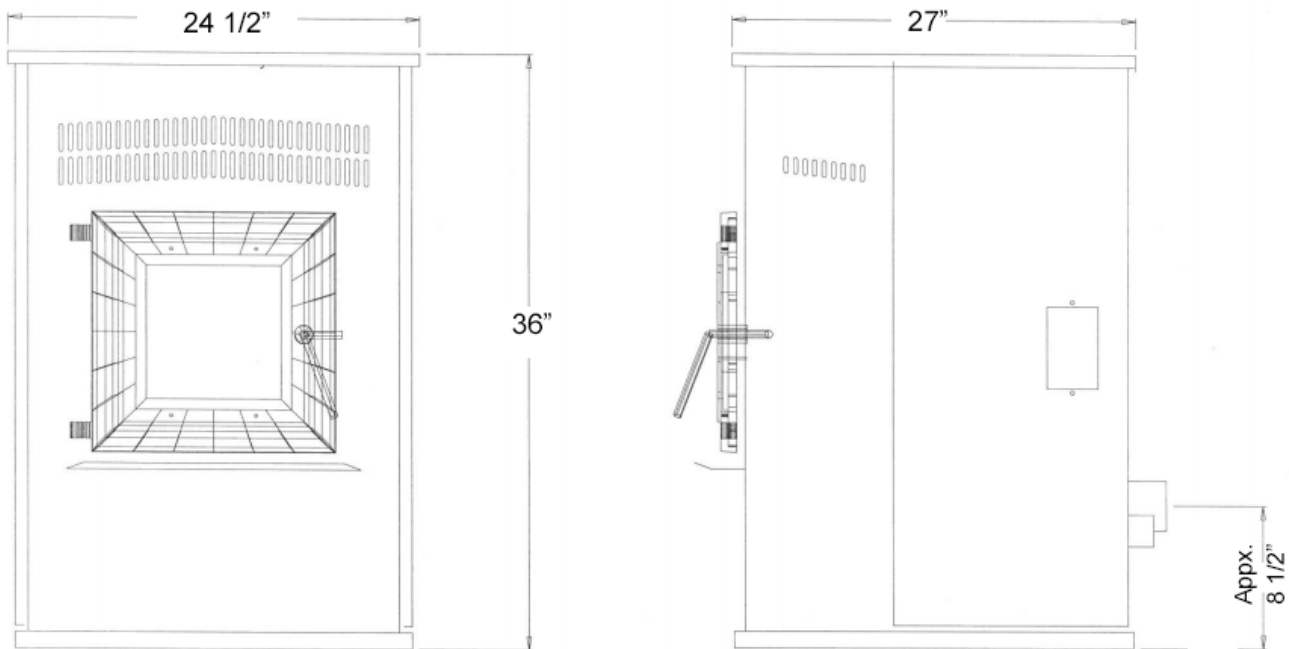
IMPORTANT! READ AND FOLLOW ALL INSTALLATION AND MAINTENANCE INSTRUCTIONS, INCLUDING CLEANING THE UNIT AS SPECIFIED, AND REPLACING GASKETS ANNUALLY, AND PARTS AS NEEDED.
ENGLAND'S STOVE WORKS IS NOT RESPONSIBLE FOR ANY DAMAGE OR INJURY INCURRED DUE TO NEGLIGENCE, OR DUE TO UNSAFE INSTALLATION OR USAGE OF THIS PRODUCT. CALL TECHNICAL SUPPORT WITH ANY QUESTIONS.

SPECIFICATIONS

Heating Specifications

- Approximate Pellet Burn Rate**0.9 to 2 kg/hr (2 to 4.4 lbs/hr)
- Maximum Burn Time** 76 hours
- Heat Output ** 11,098-25,122 BTU/hr.
- Approximate Square Footage Heated***up to 2,200 sq. ft.
- Hopper Capacity.....120 pounds

Dimensions



EPA and Safety Compliance Specifications

- EPA Compliance Status Certified to comply with 2020 particulate emission standards using pellet fuel.
- U.S. Test Standard EPA 40 CFR Part 60-2015
- Particulate Emissions 1.47 grams/hr.
- CO Emissions 0.000 grams/min.
- Efficiency..... 67.6% (HHV)
- Certified To Certified to UL 1482 /ASTM E 1509 / ULC S627, ASTM E2779, ASTM E2515, CSA B415.1

Notes for this unit: Product may vary slightly from diagram. Clearances are the minimum for **this unit** and may need to be increased in the rear to have proper vent clearances. **Follow all venting manufacturer clearances and local codes.**

* - As tested per ASTM 2779-10

** - Heat output, burn rate and maximum burn time are heavily dependent on the type of pellets burned in the stove; as such, these numbers may vary.

*** - The maximum heating capacity of this unit can vary greatly based on climate, construction style, insulation and a myriad of other factors. Use this information in conjunction with a BTU loss calculation for your home to determine if this unit will be sufficient for your needs.

IMPORTANT! READ AND FOLLOW **ALL** INSTALLATION AND MAINTENANCE INSTRUCTIONS, INCLUDING CLEANING THE UNIT AS SPECIFIED, AND REPLACING GASKETS ANNUALLY, AND PARTS AS NEEDED.
ENGLAND'S STOVE WORKS IS NOT RESPONSIBLE FOR ANY DAMAGE OR INJURY INCURRED DUE TO NEGLIGENCE, OR DUE TO UNSAFE INSTALLATION OR USAGE OF THIS PRODUCT. CALL TECHNICAL SUPPORT WITH ANY QUESTIONS.

INSTALLATION

Installation Overview

When choosing a location for your new stove, there are a multitude of factors that should be taken into account before beginning the installation.

1. Traffic Patterns – To help prevent accidents, the stove should be placed in a location where it is out of the way of normal travel through the home.
2. Heat Flow and Efficiency – When deciding on a location for the stove, consider the way heat moves throughout your home. Install the stove where you need the heat; basement installations often do not allow sufficient heat to flow to the upper floors and a top floor installation will not allow any heat to reach the floors below. Always consider that heat rises and will take the path of least resistance while it is still hot.
3. Exhaust Location – Outside walls are generally the best place to install a stove, since they allow easy exhaust and intake air installation (using our Dura Vent AC-3000 Kit, AC-33000 if Canada). If there is not a feasible way to install the stove on an outside wall, there are methods for venting the stove up through the roof, but they tend to be more costly because they involve the use of more pellet vent pipe and can often make outside air installation more difficult.
4. Wall Construction – Locating the stove so that the exhaust system can pass between studs will simplify the installation and eliminate the need to reframe any sections of the wall to accommodate the wall thimble.

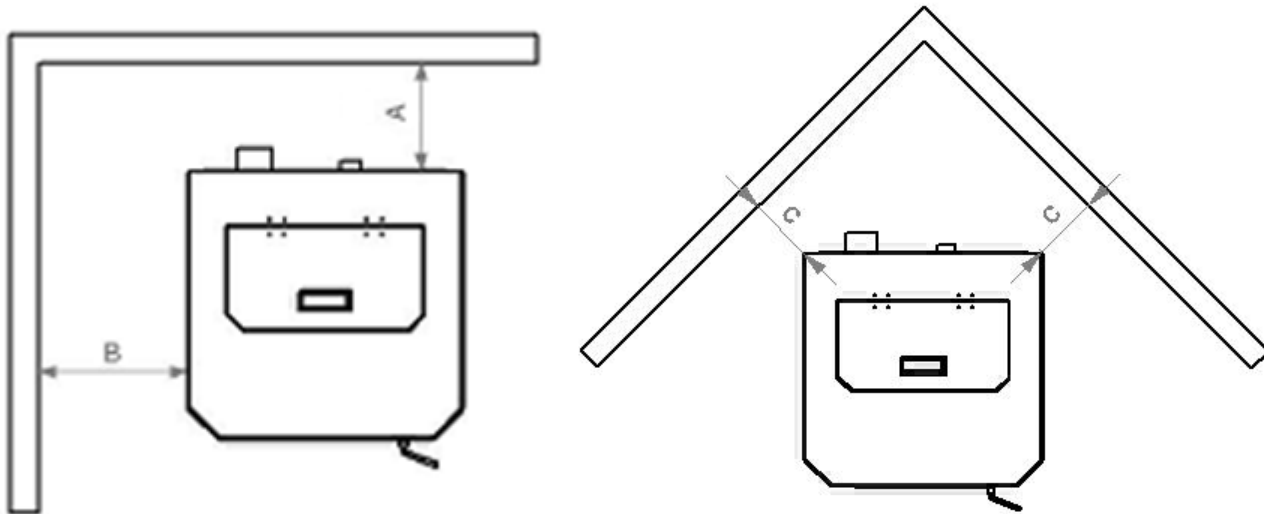
Warning

- Do not store or use gasoline or other flammable vapors and liquids in the vicinity of this or any other appliance.
- Do Not Over fire – If any external part starts to glow, you are over firing. Reduce feed rate. Over firing will void your warranty.
- Comply with all minimum clearances to combustibles as specified. Failure to comply may result in a house fire.
- Tested and approved for **wood pellets only**. Burning any other fuel will void your warranty.
- For use with Premium grade wood pellets only.

IMPORTANT! READ AND FOLLOW **ALL** INSTALLATION AND MAINTENANCE INSTRUCTIONS, INCLUDING CLEANING THE UNIT AS SPECIFIED, AND REPLACING GASKETS ANNUALLY, AND PARTS AS NEEDED.
ENGLAND'S STOVE WORKS IS NOT RESPONSIBLE FOR ANY DAMAGE OR INJURY INCURRED DUE TO NEGLIGENCE, OR DUE TO UNSAFE INSTALLATION OR USAGE OF THIS PRODUCT. CALL TECHNICAL SUPPORT WITH ANY QUESTIONS.

INSTALLATION

Clearances to Combustibles



Unit to Rear Wall (A)	Unit to Side Wall (B)	Unit to Corner (C)
0 in.	8 in.	6 in.
0 mm	203 mm	152 mm

CAUTION

- Unit can be very HOT while in operation. Keep children away.
- Supervise children in the same room as this appliance.
- Alert children and adults to the hazards of high temperatures.
- Do NOT operate with protective barriers open or removed.
- Keep clothing, furniture, draperies and other combustibles away.
- Installation MUST comply with local, regional, state and national codes and regulations.
- Consult local building, fire officials or authorities having jurisdiction about restrictions, installation inspection, and permits.

DO NOT CONNECT TO ANY AIR DISTRIBUTION DUCT OR SYSTEM

IMPORTANT! READ AND FOLLOW ALL INSTALLATION AND MAINTENANCE INSTRUCTIONS, INCLUDING CLEANING THE UNIT AS SPECIFIED, AND REPLACING GASKETS ANNUALLY, AND PARTS AS NEEDED.
ENGLAND'S STOVE WORKS IS NOT RESPONSIBLE FOR ANY DAMAGE OR INJURY INCURRED DUE TO NEGLIGENCE, OR DUE TO UNSAFE INSTALLATION OR USAGE OF THIS PRODUCT. CALL TECHNICAL SUPPORT WITH ANY QUESTIONS.

INSTALLATION

Venting Introduction

This pellet stove operates on a negative draft system, which pulls combustion air through the burn pot and pushes the exhaust air through the vent pipe and out of the building. This unit must be installed in accordance with the following detailed descriptions of venting techniques; not installing the stove in accordance with the details listed here can result in poor stove performance, property damage, bodily injury or death. England's Stove Works is not responsible for any damage incurred due to a poor or unsafe installation.

If questions arise pertaining to the safe installation of the stove, our Technical Support line (800-245-6489) is available. Contact your local code official to be certain your installation meets local and national fire codes and if you're uncertain about how to safely install the stove, we strongly recommend contacting a local NFI certified installer to perform the installation.

Venting Guidelines

- **WARNING - INSTALL VENT AT CLEARANCES SPECIFIED BY THE VENT MANUFACTURER.**
- **ALWAYS** install vent pipe in strict adherence with the instructions and clearances included with your venting system.
- **DO NOT** CONNECT THIS PELLET STOVE TO A CHIMNEY FLUE WHICH ALSO SERVES ANOTHER APPLIANCE.
- **DO NOT** install a flue pipe damper or any other restrictive device in the exhaust venting system of this unit.
- **USE** an approved wall thimble when passing through a wall and a ceiling support/fire stop when passing through a ceiling.
- **ONLY** use 3.0" or 4.0" Type L or Type PL pipe approved for pellet stove venting; **DO NOT** use galvanized or B-Vent pipe.
- **SEAL** each joint of pellet vent with high temperature silicone (Part # AC-RTV3) to prevent smoke spillage into the home.
- **AVOID** excessive horizontal runs and elbows, as both will reduce the draft of the venting system and will result in poor stove performance.
- **INCLUDE** as much vertical pipe as possible to prevent smoke from the unit from entering your home in the event of a power outage.
- **INSPECT** your venting system often, to be certain it is clear of fly-ash and other restrictions.
- **CLEAN** the venting system as detailed in the maintenance section of this manual.

WARNING

- **INSTALL VENT AT CLEARANCES SPECIFIED BY THE VENT MANUFACTURER.**
- **HOT! Do not touch! Severe burns or clothing ignition may result.**
- **Glass and other surfaces are hot during operation.**
- **Do not attempt to touch or open the front or side panels during operation. This could result in severe burns or injury.**

IMPORTANT! READ AND FOLLOW ALL INSTALLATION AND MAINTENANCE INSTRUCTIONS, INCLUDING CLEANING THE UNIT AS SPECIFIED, AND REPLACING GASKETS ANNUALLY, AND PARTS AS NEEDED.

ENGLAND'S STOVE WORKS IS NOT RESPONSIBLE FOR ANY DAMAGE OR INJURY INCURRED DUE TO NEGLIGENCE, OR DUE TO UNSAFE INSTALLATION OR USAGE OF THIS PRODUCT. CALL TECHNICAL SUPPORT WITH ANY QUESTIONS.

INSTALLATION

Additional Venting Information

- Do not mix and match components from different pipe manufacturers when assembling your venting system (i.e. Do **NOT** use venting pipe from one manufacturer and a thimble from another).
- We **require** a minimum vertical rise of 36 in. (3 ft.) of pipe to create natural draft in the system. This helps evacuate smoke from the stove in the event of a power failure or combustion blower failure.
- Venting systems 15.0 ft. or shorter may be composed entirely of 3.0 in. pellet pipe; to reduce frictional losses, venting systems longer than 15.0 ft. should be composed of 4.0 in. pellet pipe.
- Do not terminate the venting system directly beneath any combustible structure such as a porch or deck.
- Follow NFPA 211 rules listed below for venting system termination location relative to windows and other openings in the dwelling.
 - NFPA 211 (2006 ed.) Section 10.4 Termination: 10.4.5
 - (1) The exit terminal of a mechanical draft system other than direct vent appliances (sealed combustion system appliances) shall be located in accordance with the following:
 - (a) Not less than 3 ft. (.91 m) above any forced air inlet located within 10 ft. (3.0m).
 - (b) Not less than 4 ft. (1.2 m) below, 4 ft. (1.2 m) horizontally from or 1 ft. (305 mm) above any door, window or gravity air inlet into any building.
 - (c) Not less than 2 ft. (0.61 m) from an adjacent building and not less than 7 ft. (2.1 m) above grade when located adjacent to public walkways.
- Distance between the termination opening and grade should be a minimum of 2 ft. (24 in.) contingent on the grade surface below the termination. When determining the termination height above grade, consider snow drift lines and combustibles such as grass or leaf accumulation. In areas where significant snowfall is possible, the termination height must be sufficiently high to keep the termination free of snow accumulation.
- Do not use makeshift compromises during installation or install any component of the unit or venting system in such a manner that could result in a hazardous installation.
- A chimney connector shall not pass through an attic or roof space, closet or similar concealed space, or a floor, or ceiling.
- Where passage through a wall or partition of combustible material is desired, the installation shall conform to CAN/CSA-B365.

WARNING:

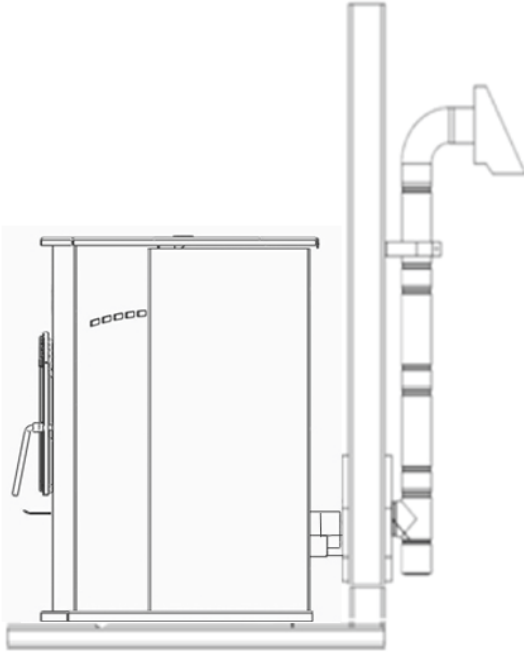
**Venting system surfaces get HOT, and can cause burns if touched.
Noncombustible shielding or guards may be required.**

IMPORTANT! READ AND FOLLOW ALL INSTALLATION AND MAINTENANCE INSTRUCTIONS, INCLUDING CLEANING THE UNIT AS SPECIFIED, AND REPLACING GASKETS ANNUALLY, AND PARTS AS NEEDED.
ENGLAND'S STOVE WORKS IS NOT RESPONSIBLE FOR ANY DAMAGE OR INJURY INCURRED DUE TO NEGLIGENCE, OR DUE TO UNSAFE INSTALLATION OR USAGE OF THIS PRODUCT. CALL TECHNICAL SUPPORT WITH ANY QUESTIONS.

INSTALLATION

Approved Venting Method 1: Through the Wall

For high altitude installations (above 4,000 ft.), the vent pipe should be increased from 3-inch (3") to four-inch (4").



- Generally the simplest installation method, venting through the wall using our AC-3000 kit, AC-33000 if Canada (or similar venting system) is also the preferred venting method. It minimizes horizontal pipe, allows the stove to be installed close to the wall and keeps the clean-out tee on the outside of the house, for ease of cleaning.
- When installing any venting system, **Type L** or **Type PL** pipe must be used and all clearances to combustibles (listed by the pipe manufacturer) must be strictly adhered to.
- Use the pipe manufacturer's approved thimble for passing through a combustible wall, and maintain at least the minimum clearances to combustibles.
- Use an appliance collar where the pellet vent connects to the exhaust output of the pellet stove and attach the appliance collar to the exhaust blower output using three

sheet metal screws.

- Secure the pellet vent to the outside of the house using a wall strap just below the 90 degree elbow.
- Seal each pipe connection joint with high temperature RTV Silicone, to ensure the system is leak free (Check with the specific venting system manufacturer's instructions before doing so).
- If the pellet vent pipe being used is not a "Twist Lock" system, three (3) sheet metal screws are required at each pipe joint.
- Connect the pellet stove to outside combustion air using the kit included with your stove or using an alternative method, as described in the "Outside Air" section, on page 16.

This installation type can be modified for basement (**Basement installations should always be performed by a professional installer**) or other installations wherein the tee and vertical section of the pipe would be inside the home and the venting system would simply pass horizontally through the thimble and then terminate.

Please Note:

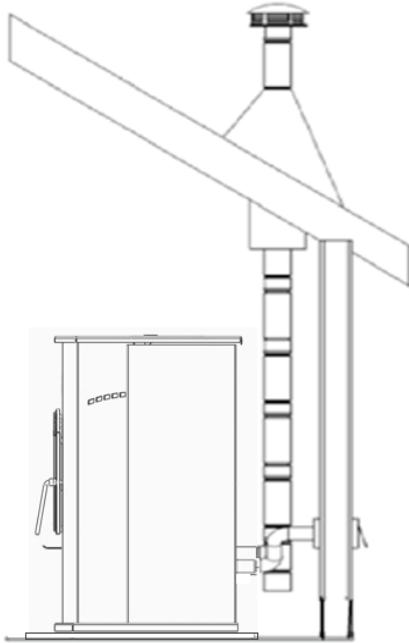
Installation diagrams are for reference purposes only and are not drawn to scale, nor meant to be used as plans for each individual installation. Please follow all venting system requirements, maintain the required clearances to combustibles, and follow all local codes.

IMPORTANT! READ AND FOLLOW ALL INSTALLATION AND MAINTENANCE INSTRUCTIONS, INCLUDING CLEANING THE UNIT AS SPECIFIED, AND REPLACING GASKETS ANNUALLY, AND PARTS AS NEEDED.
ENGLAND'S STOVE WORKS IS NOT RESPONSIBLE FOR ANY DAMAGE OR INJURY INCURRED DUE TO NEGLIGENCE, OR DUE TO UNSAFE INSTALLATION OR USAGE OF THIS PRODUCT. CALL TECHNICAL SUPPORT WITH ANY QUESTIONS.

INSTALLATION

Approved Venting Method 2: Through the Ceiling

For high altitude installations (above 4,000 ft.), the vent pipe should be increased from 3-inch (3") to four-inch (4").



- Venting through the ceiling/roof may be the only feasible venting option in some cases and is a factory recommended installation.
 - When installing any venting system, **Type L** or **Type PL** pipe must be used and all clearances to combustibles listed by the pipe manufacturer must be strictly adhered to.
 - Use the pipe manufacturer's approved ceiling support for passing through a combustible ceiling, as well as the required fire stops, radiation shields, flashing and storm collar.
 - Be certain to follow the manufacturer's required height of termination above the roof line, and maintain at least the minimum clearances to combustibles.
 - Use an appliance collar where the pellet vent connects to the exhaust output of the pellet stove and attach the appliance collar to the exhaust blower output using three sheet metal screws.
- Seal each pipe connection joint with high temperature RTV Silicone, to ensure the system is leak free (Check with the specific pipe manufacturer's instructions before doing so).
 - If the pellet vent pipe being used is not a "Twist Lock" system, three (3) sheet metal screws are required at each pipe joint.
 - Connect the pellet stove to outside combustion air using the kit included with your stove or using an alternative method, as described in the "Outside Air" section, on page 16.
 - This venting method can also be modified so that the venting system runs horizontally through the wall from the stove, then transitions to vertical and terminates above the roofline. When using this modified version of this installation be certain to carefully follow the venting system manufacturer's instructions diligently.

Please Note:

Installation diagrams are for reference purposes only and are not drawn to scale, nor meant to be used as plans for each individual installation. Please follow all venting system requirements, maintain the required clearances to combustibles, and follow all local codes.

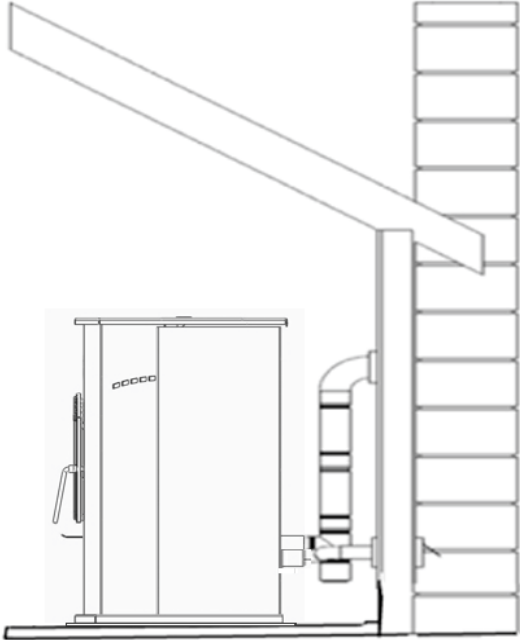
IMPORTANT! READ AND FOLLOW **ALL** INSTALLATION AND MAINTENANCE INSTRUCTIONS, INCLUDING CLEANING THE UNIT AS SPECIFIED, AND REPLACING GASKETS ANNUALLY, AND PARTS AS NEEDED.
ENGLAND'S STOVE WORKS IS NOT RESPONSIBLE FOR ANY DAMAGE OR INJURY INCURRED DUE TO NEGLIGENCE, OR DUE TO UNSAFE INSTALLATION OR USAGE OF THIS PRODUCT. CALL TECHNICAL SUPPORT WITH ANY QUESTIONS.

INSTALLATION

For high altitude installations (above 4,000 ft.), the vent pipe should be increased from 3-inch (3") to four-inch (4").

Approved Venting Method 3: Existing Chimney System

- Using an existing masonry or factory built chimney for venting is the only other acceptable method for venting this pellet unit.



- Use **Type L** or **Type PL** venting pipe until entering the existing chimney. Use the appropriately sized adapter when transitioning from the pellet vent pipe to the masonry or factory built thimble and be certain that the adapter is sealed tightly to both the pellet venting system and the existing chimney.
 - Before using an existing chimney, be certain it is in good condition (A chimney sweep inspection is highly recommended). Also, make sure the chimney meets the minimum standards listed in NFPA 211 (A chimney professional can confirm this upon inspection).
 - If connecting this stove to a factory built chimney, it may **ONLY** be a 6" flue, UL103 HT venting system (ULC S629 if Canada). Connection to any other factory built chimney may result in a poorly operating or dangerous stove installation.
- When connecting to an existing masonry chimney, the cross-sectional area of the flue must be considered. A chimney with a flue larger than 6" round (28.27 sq. in.) may require relining with an approved pellet stove chimney lining system.
 - Use an appliance collar where the pellet vent connects to the exhaust output of the pellet stove and attach the appliance collar to the exhaust blower output using three sheet metal screws.
 - Seal each pipe connection joint with high temperature RTV Silicone, to ensure the system is leak free (Check with the specific pipe manufacturer's instructions before doing so).
 - If the pellet vent pipe being used is not a "Twist Lock" system, three (3) sheet metal screws are required at each pipe joint.
 - Connect the pellet stove to outside combustion air using the kit included with your stove or using an alternative method, as described in the "Outside Air" section, on page 16.

Please Note:

Installation diagrams are for reference purposes only and are not drawn to scale, nor meant to be used as plans for each individual installation. Please follow all venting system requirements, maintain the required clearances to combustibles, and follow all local codes.

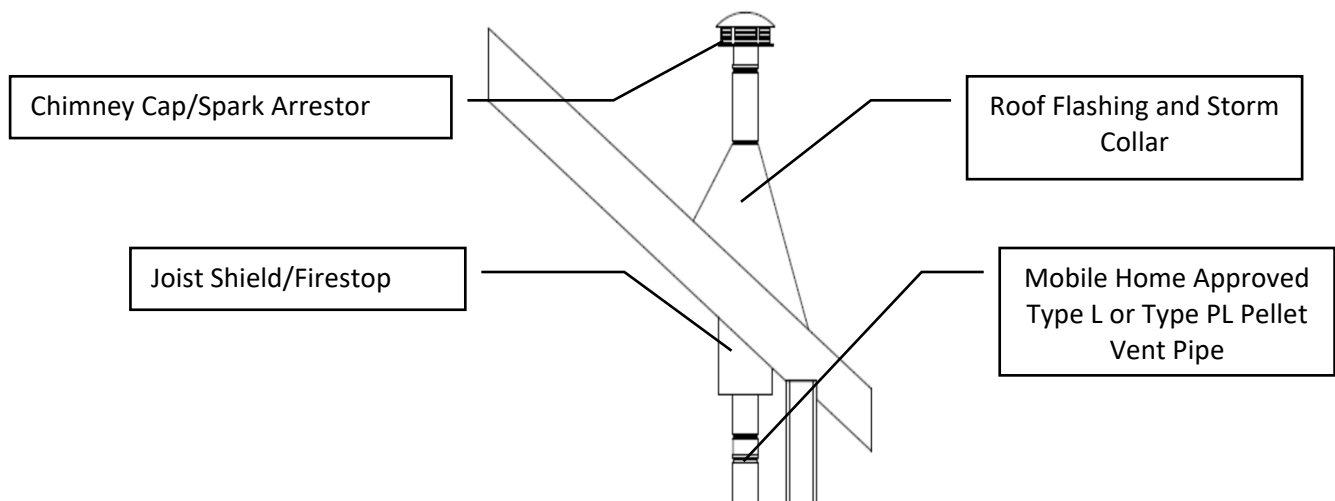
IMPORTANT! READ AND FOLLOW **ALL** INSTALLATION AND MAINTENANCE INSTRUCTIONS, INCLUDING CLEANING THE UNIT AS SPECIFIED, AND REPLACING GASKETS ANNUALLY, AND PARTS AS NEEDED.
ENGLAND'S STOVE WORKS IS NOT RESPONSIBLE FOR ANY DAMAGE OR INJURY INCURRED DUE TO NEGLIGENCE, OR DUE TO UNSAFE INSTALLATION OR USAGE OF THIS PRODUCT. CALL TECHNICAL SUPPORT WITH ANY QUESTIONS.

INSTALLATION

For high altitude installations (above 4,000 ft.), the vent pipe should be increased from 3-inch (3") to four-inch (4").

Mobile Home Installation

- The England's Stove Works, Inc. outside air kit **MUST** be used for installation of this unit in a mobile home. Please see the "Outside Air" section on page 16 for more information regarding outside air connections.
- The outside air inlet must be kept clear of leaves, ice and other debris. Keeping the outside air inlet free of restriction is crucial to preventing air starvation and smoke spillage.
- The pellet stove **MUST** be secured to the floor of the mobile home using lag bolts and the holes provided in the bottom of the base for this purpose. Outdoor-aired space heaters must be attached to the structure.
- The pellet stove **MUST** be grounded with #8 solid copper grounding wire (or equivalent), terminated at each end with an NEC approved grounded device.
- Carefully follow all clearances listed in the appropriate section of this manual AND follow the venting manufacturer's minimum clearance requirements. Similarly, be certain the venting system used is approved for mobile home use.
- Installation must be in accordance with Manufacturers Home & Safety Standard (HUD) CFR 3280, Part 24 as well as any applicable local codes.
- Use silicone to create an effective vapor barrier at the location where the chimney or outside air ducting passes through to the exterior of the structure.



CAUTION

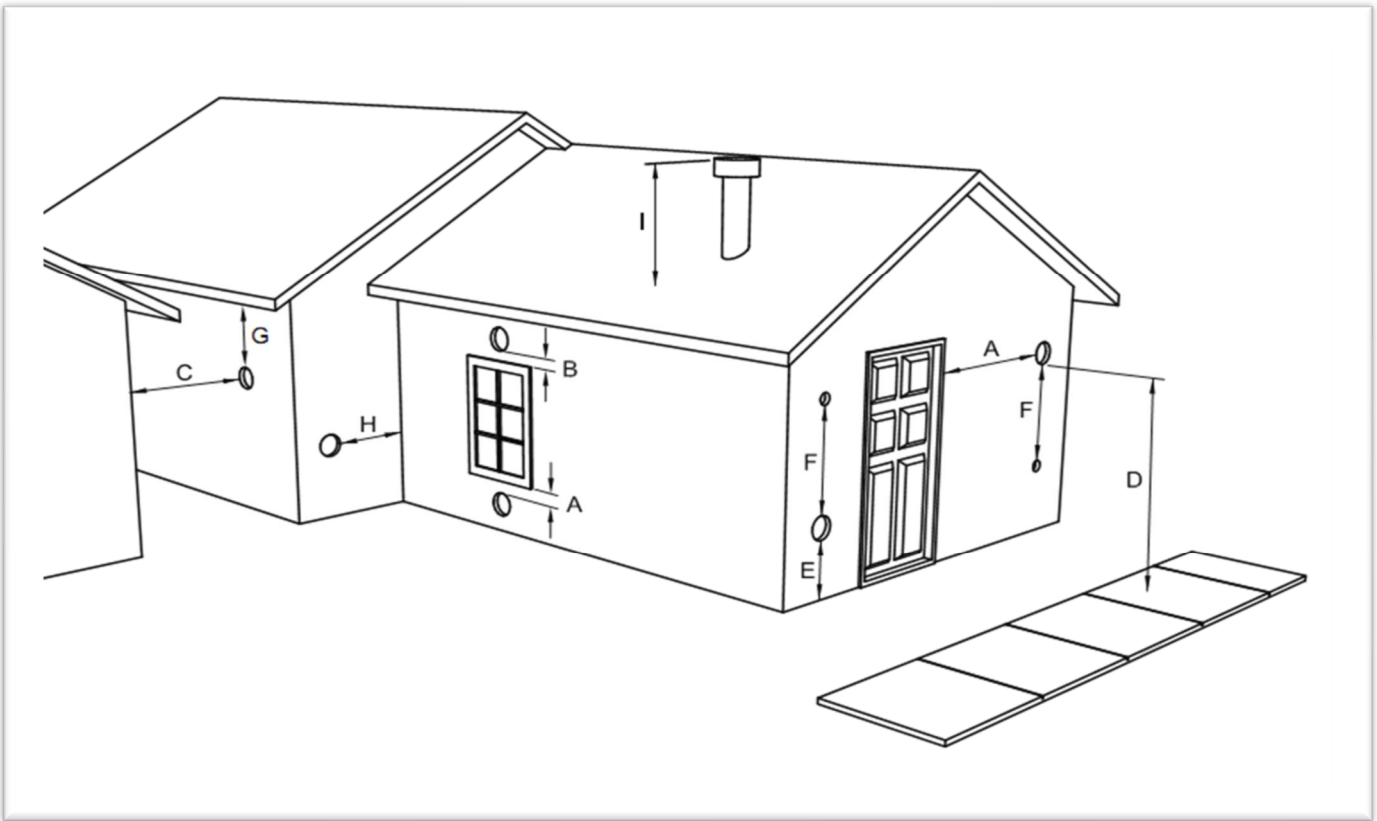
THE STRUCTURAL INTEGRITY OF THE MANUFACTURED HOME FLOOR, WALL AND CEILING/ROOF MUST BE MAINTAINED. DO NOT CUT THROUGH FLOOR JOISTS, WALL STUDS, CEILING TRUSSES OR ANY OTHER SUPPORTING MATERIAL WHICH COULD BE DETRIMENTAL TO THE STRUCTURAL INTEGRITY OF THE HOME.

WARNING: DO NOT INSTALL IN A SLEEPING ROOM.

IMPORTANT! READ AND FOLLOW ALL INSTALLATION AND MAINTENANCE INSTRUCTIONS, INCLUDING CLEANING THE UNIT AS SPECIFIED, AND REPLACING GASKETS ANNUALLY, AND PARTS AS NEEDED.
ENGLAND'S STOVE WORKS IS NOT RESPONSIBLE FOR ANY DAMAGE OR INJURY INCURRED DUE TO NEGLIGENCE, OR DUE TO UNSAFE INSTALLATION OR USAGE OF THIS PRODUCT. CALL TECHNICAL SUPPORT WITH ANY QUESTIONS.

VENT TERMINATION CLEARANCES

- A) Min. 4-ft clearance below or beside any door or window that opens.
- B) Min. 1-ft clearance above any door or window that opens.
- C) Min. 2-ft clearance from any adjacent building.
- D) Min. 7-ft clearance from any grade when adjacent to public walkways.
- E) Min. 2-ft clearance above any grass, plants, or other combustible materials.
- F) Min. 3-ft clearance from a forced air intake of any appliance.
- G) Min. 2-ft clearance below eaves or overhang.
- H) Min. 1-ft clearance horizontally from combustible wall.
- I) Vents installed with mechanical exhausters shall terminate not less than 12 in. (305mm) above the highest point where they pass through the roof surface.



Notes on termination of Pellet Vent Pipe from NFPA 211 (2006 ed.) Section 10.4 Termination: 10.4.5
(See also "INSTALLATION" section of manual AND additional notes above):

- Not less than three (3) feet above any forced air inlet located within ten (10) feet.
- Not less than four (4) feet below, four (4) feet horizontally from, or one (1) foot above any door, window or gravity air inlet into any building.
- Not less than two (2) feet from an adjacent building, and not less than seven (7) feet above grade where located adjacent to public walkways.

The exhaust exit shall be arranged so that the flue gases are not directed so that it will affect people, overheat combustible structures, or enter buildings. Forced draft systems and all parts of induced draft systems under positive pressure during operation shall be installed gastight or to prevent leakage of combustion products into a building. Through-the-wall vents shall not terminate over public walkways, or where condensate or vapor could create hazards or a nuisance.

Be sure to follow local codes and all manufacturer's instructions (including exhaust pipe).

Consult a professional installer and/or call Technical Support if you have any questions.

OUTSIDE AIR HOOK-UP

- The use of outside combustion air is **mandatory** on this pellet stove.
- The outside air connection pipe protrudes from the lower rear center of the stove; use the included outside air kit to attach your stove to outside combustion air. Instructions and all the parts needed to make the outside air connection to your pellet stove are included with the outside air kit.
- If it is not feasible to use the included outside air hookup kit in your stove installation, other materials may be used, provided the following rules are followed:
 - The pipe used for outside air hookup must be metal, with a minimum thickness of .0209 in. (25 gauge mild steel) or greater and an inside diameter of approximately 2.0 in.
 - All pipe joints and connections should be sealed with pipe clamps or other mechanical means, to insure a leak free outside air connection.
 - Long runs of pipe and excessive elbows for outside air should be avoided. Due to frictional resistance in pipe, any excessive outside air piping can result in poor stove performance.
 - A screen or other protection device must be fitted over the outside air termination point to prevent rain, debris and nuisance animals from entering the piping system.
 - Increase the outside air pipe size to 3.0 in. diameter pipe if the outside air connection is more than 6 ft. in length, more than two (2) elbows are used or if the stove is installed in a basement.
- The outside air connection system should be inspected at least annually to be certain it is free from blockage.

Caution

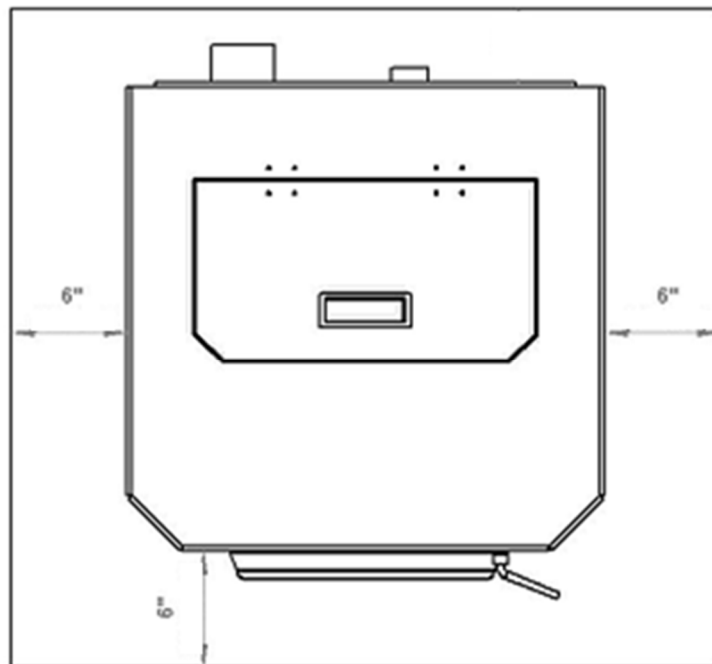
NEVER draw outside combustion air from:

1. Wall, floor or ceiling cavity.
2. Enclosed space such as an attic, garage or crawl space.

IMPORTANT! READ AND FOLLOW ALL INSTALLATION AND MAINTENANCE INSTRUCTIONS, INCLUDING CLEANING THE UNIT AS SPECIFIED, AND REPLACING GASKETS ANNUALLY, AND PARTS AS NEEDED.
ENGLAND'S STOVE WORKS IS NOT RESPONSIBLE FOR ANY DAMAGE OR INJURY INCURRED DUE TO NEGLIGENCE, OR DUE TO UNSAFE INSTALLATION OR USAGE OF THIS PRODUCT. CALL TECHNICAL SUPPORT WITH ANY QUESTIONS.

FLOOR PROTECTION

- This pellet stove requires a non-combustible floor protector if the stove is to be installed on a combustible floor. If the floor the stove is to be installed on is already non-combustible (i.e. a concrete floor in a basement) and has an R value equal to or higher than .2, no floor protection is needed (although a decorative floor protector can still be used for aesthetic reasons).
- Prefabricated floor protectors which are UL listed (ULC if Canada) or equivalent can be purchased or a floor protector can be built from standard materials: two sheets of .5" thick cement board covered with ceramic tile would be a suitable floor protector which meets the .2 R-value requirement.
- When using any floor protector, consider that this stove is not only heavy but will induce heating and cooling cycles on the floor protector which can damage tile and loosen mortar and grout joints. A hearth rug is **NOT** an approved substitute for a proper hearth pad.
- **For the US and Canada:** The floor protector must extend at least 6 in. (152 mm) from the front & sides.
- **In Canada,** it is required that the non-combustible floor protector is underneath and extends 2 in. (50.8 mm.) on either side of any horizontal venting runs **AND/OR** is directly underneath any vertical venting pipe.



IMPORTANT! READ AND FOLLOW **ALL** INSTALLATION AND MAINTENANCE INSTRUCTIONS, INCLUDING CLEANING THE UNIT AS SPECIFIED, AND REPLACING GASKETS ANNUALLY, AND PARTS AS NEEDED.
ENGLAND'S STOVE WORKS IS NOT RESPONSIBLE FOR ANY DAMAGE OR INJURY INCURRED DUE TO NEGLIGENCE, OR DUE TO UNSAFE INSTALLATION OR USAGE OF THIS PRODUCT. CALL TECHNICAL SUPPORT WITH ANY QUESTIONS.

DAILY OPERATION

Getting Started

- Check to see that the hopper is clean and free from foreign materials. Be sure to connect this unit to a working outlet; we recommend using a surge protector to help protect the electronic components from damage.
- **BEFORE** your first fire, dry run your unit (no pellet fuel in the hopper) for twenty minutes; pressing the “ON” button with the unit plugged in will initiate the dry run.
 - Once the “ON” button is pressed, you should immediately hear the exhaust blower start and operate continuously.
 - After about three to five minutes, look for the red glow of the igniter in the igniter port of the burn pot to be certain it is operating normally.
 - Hold the hopper lid switch (See “Illustrated Parts Diagram” pg. 44) down with your finger and check to see that the auger is turning. Release the hopper lid switch and be certain that the auger stops turning. **DO NOT PUT YOUR FINGERS IN THE HOPPER OR NEAR THE ROTATING AUGER.**
- After about twenty minutes, the control board should display “E-2” in the two display windows (More information on Error Codes can be found in the Error Code section of this manual).
- At this point, the dry run is complete and your pellet heating appliance is ready for normal operation.

Lighting a Fire

- In order for this stove to operate, the hopper must first be filled with pellet fuel. Lift the hopper lid using the flush-mount handle and pour the pellet fuel directly into the hopper.
 - ❖ We recommend using only pellets manufactured by PFI Certified facilities, since pellets bearing the PFI stamp of approval will be low in ash and moisture, high in BTU’s, and uniform in size and quality.
- This pellet stove will perform equally well using softwood and hardwood pellets, and although the ash may differ slightly in appearance or texture, both types of pellets will burn cleanly and efficiently in this stove.
- This pellet stove is equipped with an automatic pellet ignition system; the only user input required to light the stove is a simple press of the “On” button.
- Shortly after pressing the “On” button, the letters “**S U**” will appear in the heat range and blower speed windows of the control board. This indicates the stove has entered the start-up sequence and is operating normally.
- The fuel feed rate and combustion air during start-up is determined by the control board, so the stove may be started on any heat range.
- After approximately fifteen minutes, the fire should be burning brightly and the “**S U**” should disappear from the control board. At this point, the stove has begun normal operation and the display windows on the control board will remain empty, unless the Heat Range or Blower Speed is adjusted.

IMPORTANT! READ AND FOLLOW ALL INSTALLATION AND MAINTENANCE INSTRUCTIONS, INCLUDING CLEANING THE UNIT AS SPECIFIED, AND REPLACING GASKETS ANNUALLY, AND PARTS AS NEEDED.
ENGLAND’S STOVE WORKS IS NOT RESPONSIBLE FOR ANY DAMAGE OR INJURY INCURRED DUE TO NEGLIGENCE, OR DUE TO UNSAFE INSTALLATION OR USAGE OF THIS PRODUCT. CALL TECHNICAL SUPPORT WITH ANY QUESTIONS.

- It is normal for the unit to smoke during the first fire, as paints and oils cure. This should dissipate within the first hour. Open a door and/or window during the first fire to ventilate the area.

Daily Operation Notes

- Only high quality, Premium Grade ¼" (.25 in.) diameter wood pellets should be used in this stove. Using low grade wood pellets with high ash content OR wood pellets with a high moisture content can cause the burn pot to fill with ash at a more rapid pace and can cause intervals between periodic maintenance to become significantly shorter. Please read the "Maintenance" section of this manual thoroughly to understand how fuel selection affects stove operation, maintenance and cleaning.
- Variation in the flame height is normal; not all wood pellet fuel is uniform in size, which can affect the way pellets are fed into the burn pot. Although the flame height may increase and decrease during operation, there is no loss of efficiency.
- Always store wood pellet fuel in a dry location; storing wood pellet fuel in a dry location ensures the fuel will remain pelletized and low in moisture content. Also, be certain that all wood pellet fuel is stored at a safe distance from the pellet heater; storing fuel in close proximity to the stove can result in a fire. **Do not install or operate this unit outside, in a greenhouse, or in any area that is high in moisture.**
- This pellet burning room heater is equipped with a specially designed burn pot which comes preinstalled from the factory. This burn pot elevates the burning pellets and delivers air at the precisely-required locations. Pellets must only be burned in the factory burn pot; no modifications should be made to this burn pot and no additional grates or other fire elevators should be used.

CAUTION

NEVER USE GASOLINE, GASOLINE-TYPE LANTERN FUEL, KEROSENE, CHARCOAL LIGHTER FLUID, OR SIMILAR LIQUIDS TO START OR "FRESHEN UP" A FIRE IN THIS HEATER. KEEP ALL SUCH LIQUIDS WELL AWAY FROM THE HEATER WHILE IN USE. ADDITIONALLY, NEVER APPLY FIRE-STARTER TO ANY HOT SURFACE OR EMBERS IN THE STOVE. DO NOT USE CHEMICALS OR FLUIDS TO START THE FIRE.

DO NOT BURN FLAMMABLE FLUIDS SUCH AS GASOLINE, NAPHTHA OR ENGINE OIL. DO NOT BURN GARBAGE; LAWN CLIPPINGS OR YARD WASTE; MATERIALS CONTAINING RUBBER, INCLUDING TIRES; MATERIALS CONTAINING PLASTIC; WASTE PETROLEUM PRODUCTS, PAINT OR PAINT THINNERS, OR ASPHALT PRODUCTS; MATERIALS CONTAINING ASBESTOS; CONSTRUCTION OR DEMOLITION DEBRIS; RAILROAD TIES OR PRESSURE-TREATED WOOD; MANURE OR ANIMAL REMAINS; PAPER PRODUCTS, CARDBOARD, PLYWOOD OR PARTICLEBOARD. THE PROHIBITION AGAINST BURNING THESE MATERIALS DOES NOT PROHIBIT THE USE OF FIRESTARTERS MADE FROM PAPER, CARDBOARD, SAWDUST, WAX AND SIMILAR SUBSTANCES FOR THE PURPOSE OF STARTING A FIRE IN AN AFFECTED WOOD HEATER. BURNING THESE MATERIALS MAY RESULT IN RELEASE OF TOXIC FUMES OR RENDER THE HEATER INEFFECTIVE AND CAUSE SMOKE.

IMPORTANT! READ AND FOLLOW ALL INSTALLATION AND MAINTENANCE INSTRUCTIONS, INCLUDING CLEANING THE UNIT AS SPECIFIED, AND REPLACING GASKETS ANNUALLY, AND PARTS AS NEEDED.
ENGLAND'S STOVE WORKS IS NOT RESPONSIBLE FOR ANY DAMAGE OR INJURY INCURRED DUE TO NEGLIGENCE, OR DUE TO UNSAFE INSTALLATION OR USAGE OF THIS PRODUCT. CALL TECHNICAL SUPPORT WITH ANY QUESTIONS.

CONTROL BOARD SETTINGS

The control board on this stove allows the user to adjust the heat output and convection blower speed, turn the unit on and off, and test components for function (more on diagnostic mode later).

- The lower buttons on the control board (Low Fuel Feed, Low Burn Air, and Air on Temp) are not meant to be adjusted during normal operation of the unit. These buttons are factory preset and can not be adjusted by the user.
- To energize the unit and initiate a fire, press the “On” button. The LED above the button should turn green and the control board should display “S U” shortly after pressing the button.
- To shut the unit down, press the “Off” button. The LED above the button should turn red and the board should display “S d” shortly after pressing the button. This initiates the shut down sequence, and the stove will remain in shut down mode until it has cooled down.
- To increase the heat output of the stove, press the “Up” heat range button. The number in the heat range display window will increase, signifying that the control board is now adjusting the heat output to your desired level. The blower speed will increase the same amount as the heat range, because the stove is designed to operate with the blower speed greater than or equal to the heat range. Pressing the “Down” arrow will decrease the heat range and blower speed.
- To increase the blower speed without increasing the heat range, press the Blower Speed “Up” arrow until the desired blower speed is shown in the display window. Pressing the “Down” arrow will decrease the blower speed; however, the control board will not allow the blower speed to be set lower than the heat range.

Caution

This unit is meant to operate only with the main viewing door closed. Smoke spillage and an inefficient, lazy burn will result from attempting to operate the stove with the door open.

In addition, using fuel other than wood pellets can create an unsafe situation and can also generate excess carbon monoxide. Carbon monoxide is an odorless, colorless gas which can be deadly.

Burn ONLY wood pellets.

Carbon Monoxide Detector

England’s Stove Works, Inc. highly recommends the use of a carbon monoxide detector in the proximity of the stove and one per floor of the home.

A certain amount of carbon monoxide is produced within the stove as a by-product of combustion. All exhaust vent connections must be sealed with RTV Silicone to assure a tight seal. Any leaks into a confined area caused by faulty installation or improper operation of the stove could produce dizziness, nausea and in extreme cases, death. The CO concentration during testing was found to be 0.013 g/min.

IMPORTANT! READ AND FOLLOW ALL INSTALLATION AND MAINTENANCE INSTRUCTIONS, INCLUDING CLEANING THE UNIT AS SPECIFIED, AND REPLACING GASKETS ANNUALLY, AND PARTS AS NEEDED.

ENGLAND’S STOVE WORKS IS NOT RESPONSIBLE FOR ANY DAMAGE OR INJURY INCURRED DUE TO NEGLIGENCE, OR DUE TO UNSAFE INSTALLATION OR USAGE OF THIS PRODUCT. CALL TECHNICAL SUPPORT WITH ANY QUESTIONS.

ERROR CODES

Error codes, or “E-Codes,” are alphanumeric codes that will appear in the Heat Range and Blower Speed windows of the Control Board if the unit experiences an abnormal condition. Error codes are the control board’s way of telling the user that something isn’t operating correctly within the stove, and that the unit should be carefully inspected before reigniting. See the “Trouble-Shooting Guide,” page 31, for additional information on error codes.

E-0

- When this is displayed in the control board windows (typically when restarting after an “E-Code” shutdown), it means there are currently no errors and the stove will begin normal operation.

E-1

- This error code is not used on this stove. If it is displayed in the control board windows, please contact Technical Support and they will diagnose the cause of the false code.

E-2

- When this code is displayed in the control board window it indicates a failure to light. Although the stove may have ignited the pellets, the control board did not register a high enough temperature to determine the fire was lit. If a fire was ignited, wait for the unit to cool, clean the burnpot and restart the unit.

E-3

- This error code indicates the preset maximum allowable exhaust temperature was exceeded. Commonly referred to as “Over-Firing,” the E-3 code means something in the stove is causing the exhaust gas to be hotter than expected.

E-4

- This code is displayed based on a drop in the exhaust temperature. This code means the fire or “proof of flame” has been lost. It usually results from the hopper being empty.

If an error code continues to display, if the error code seems unexplainable, or if you have any other questions about error codes and what they mean, please contact Technical Support at (800) 245-6489.

Hopper Lid Safety Switch - This unit is also equipped with a hopper lid safety switch (Part # AC-HLSB) which is directly connected to the auger motor. In the event the hopper lid is left open while the stove is in operation, the hopper lid switch will prevent the auger from turning. This is to prevent byproducts of combustion from entering the home through the open hopper lid and also to simply prevent operation with the hopper lid open. Improper hopper lid safety switch operation will result in an auger that will not turn and therefore a stove that will not burn. NEVER place your hand or any object near the auger while the stove is connected to power.

POWER FAILURE

If the power to the unit is interrupted for approximately three minutes or less, the unit will resume operation when power is restored according to the following table:

Unit's State Before Power Loss	State When Power Returns
ON	Start-Up
Start-Up	Start-Up
Shut-Down	Shut-Down
OFF	OFF

- If the power is interrupted for more than (approximately) three minutes, the unit will be "OFF" when power returns.
- **IMPORTANT** – Do **NOT** open the hopper lid or the door to the unit during power outage. Open the closest outside door and a window to reduce the chance of any combustion byproducts entering the home from the stove.
- Wait for the power to be restored and then press the "ON" button to restart the unit, if necessary.

Smoke Detectors

England's Stove Works, Inc. highly recommends the use of smoke detectors in every room of the house. However, locating a smoke detector directly above this unit can result in nuisance alarms.

Caution – Shock Hazard

Press the "Off" button and let the appliance completely cool BEFORE unplugging the appliance and beginning any maintenance or component replacement.

Risk of shock if appliance is not unplugged before service.

****Failure to properly clean your stove can cause poor performance and possibly a burn back!****

Disposal of Ashes – Ashes should be placed in a metal container with a tight fitting lid. The closed container of ashes should be placed on a noncombustible floor or on the ground, well away from all combustible materials, pending final disposal. If the ashes are disposed of by burial in soil or otherwise locally dispersed, they should be retained in the closed container until all cinders have been thoroughly cooled.

DAILY MAINTENANCE

Important Notes

- As with any maintenance concerning this unit, be sure the unit is “OFF” and has completed the Shut-Down cycle **BEFORE** beginning.
- Be aware that metal parts in the firebox can remain **HOT** long after the fire has gone out and **EVEN** after the Shut-Down cycle is complete. Always use extreme caution when handling potentially hot stove parts, even if you think they should be cold.
- Ashes should only be removed when the stove has been shutdown and has been allowed to cool thoroughly. Hot embers can remain under ashes long after the fire has gone out, so always be extra careful when handling any ashes from this (or any) stove.
- Different pellets will generate varying amounts of ash and burn pot deposits. Carefully monitor the ash build up in the stove when first operating the unit, as well as whenever a different brand of pellets is burned.
- While the amount of ashes generated by this unit is not excessive compared to a traditional log-burning woodstove, keeping the unit clean and free of ash is **ESSENTIAL** for peak performance and maximum efficiency. Ash build-up hampers airflow, reduces efficiency, and can cause a smoke back.
- England’s Stove Works® is not responsible for any damages incurred due to a poorly maintained and/or dirty stove. This pellet stove is a highly efficient machine and, as such, requires sufficient maintenance to keep it operating at its peak.

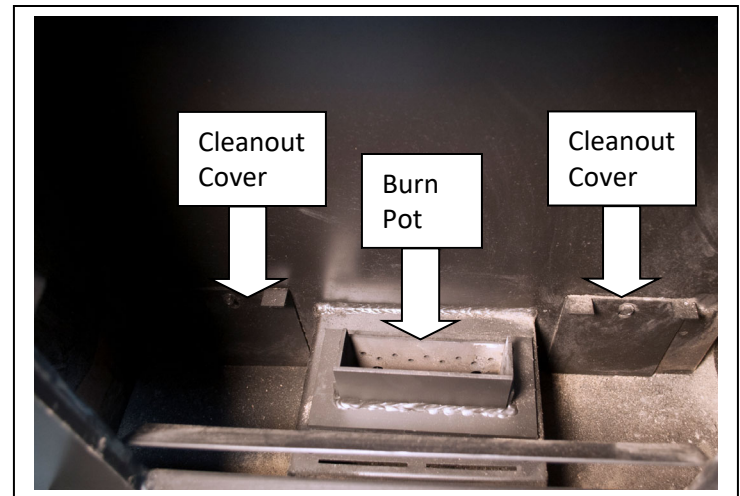
Ash Removal and Disposal

- Press the “Off” button and allow the stove to complete the shutdown cycle and cool completely.

IMPORTANT! READ AND FOLLOW **ALL** INSTALLATION AND MAINTENANCE INSTRUCTIONS, INCLUDING CLEANING THE UNIT AS SPECIFIED, AND REPLACING GASKETS ANNUALLY, AND PARTS AS NEEDED.
ENGLAND’S STOVE WORKS IS NOT RESPONSIBLE FOR ANY DAMAGE OR INJURY INCURRED DUE TO NEGLIGENCE, OR DUE TO UNSAFE INSTALLATION OR USAGE OF THIS PRODUCT. CALL TECHNICAL SUPPORT WITH ANY QUESTIONS.

- Because of the open design of the firebox, the majority of the ash will be on either side of the cradle. Open the door of the stove and use an old paint brush or putty knife to move ash from around the burn pot and into the open areas beside the cradle.
- Using the cleaning tool provided, remove any deposits left in the burn pot, being careful to remove them from the burn pot and not allow them to filter down into the cradle area. Excessive ash build-up in the cradle can cause poor stove performance (See “Cleaning the Burn pot,” below).

WARNING: Use caution when using the cleaning tool, as it has a sharp point and may have some sharp edges (as with any metal tool). As we recommend with any maintenance, use gloves, safety glasses and any necessary safety apparel when handling the cleaning tool.



Cleaning the Burn Pot

Along with removing ashes from the stove, cleaning the burn pot is the other essential part of daily maintenance that will keep the stove operating at its peak. Pellets contain varying amounts of impurities and fusible material that will accumulate in the burn pot over time. Some pellets will contain much higher amounts of these fusible impurities, therefore extra vigilance may be required to maintain a clean burn pot. Allowing impurities to build up in the burn pot can restrict the air flow to the fire, resulting in a dirty, inefficient burn and can shorten the life of the burn pot.

NOTE: The burn pot should be cleaned out **before each start-up** (before pressing the ON button), and daily.

- Always allow the stove to finish the shut-down cycle and cool completely before performing any maintenance inside the firebox.
- Open the front door and remove the burn pot by lifting it straight up and out of the cradle. **WARNING** – The burn pot can remain HOT long after the fire has gone out, so wear protective gloves whenever handling a potentially hot burn pot.
- Once the burn pot is out of the stove, use the cleaning tool to remove any deposits from the inside of the burn pot.
- **Be certain all air holes are clear and unrestricted** by fusible ash matter; the cleaning tool provided is designed to fit these holes and will be useful in removing stubborn deposits from these holes.

IMPORTANT! READ AND FOLLOW ALL INSTALLATION AND MAINTENANCE INSTRUCTIONS, INCLUDING CLEANING THE UNIT AS SPECIFIED, AND REPLACING GASKETS ANNUALLY, AND PARTS AS NEEDED.
 ENGLAND'S STOVE WORKS IS NOT RESPONSIBLE FOR ANY DAMAGE OR INJURY INCURRED DUE TO NEGLIGENCE, OR DUE TO UNSAFE INSTALLATION OR USAGE OF THIS PRODUCT. CALL TECHNICAL SUPPORT WITH ANY QUESTIONS.

- Remove any ash material from the bottom of the cradle and brush any ash from the top of the cradle into the sides of the firebox. Keeping the top of cradle free of ash is crucial in allowing the burn pot to seat properly in the cradle.
- Insert the burn pot back into the cradle using the reverse of the procedure detailed above.

WEEKLY MAINTENANCE

Baffle Removal

- As with any maintenance concerning this unit, be sure the unit is “OFF,” has completed the Shut-Down cycle, and is completely cool **BEFORE** beginning. Be aware that metal parts in the firebox can remain **HOT** long after the fire has gone out and **EVEN** after the Shut-Down cycle is complete. Always use extreme caution when handling potentially hot stove parts, even if you think they should be cold.
- Weekly maintenance should include the steps listed in this section **AS WELL AS** the steps listed in the “Daily Maintenance” section.
- Remove the top baffle (inside the firebox, above the door) by lifting it up and pulling it forward, then tilting it sideways to remove it from the stove. The part number for the top baffle is AC-PAHTB.
- Remove any ash that has accumulated behind the baffle in the stove.
- The use of a utility vacuum is highly recommended because it will prevent fly-ash from falling through the exhaust holes and into the exhaust chamber.
- Replace the baffle by reversing the above steps. Be sure the tabs in the baffle fit into the matching holes in the firebox wall of the stove. The top of the baffle will rest against the front wall of the stove when it is properly installed.

Clean-Out Covers

- The exhaust chamber of the stove was intentionally designed as an ash accumulation area. Allowing ash to accumulate here prevents excess ash build-up in the combustion blower and the venting system. Similarly, the exhaust chamber is easily accessible via the two exhaust chamber clean-out ports located in the firebox.
- Remove the exhaust chamber clean-out port covers (*lower left and right, on either side of the burn pot, see image on previous page*). Use a 5/16” socket wrench to loosen the screw on each cover, then pull the cover upwards to remove it from the screw.
- **BEFORE** vacuuming the chamber out, observe the type and quantity of ash build-up. The ash deposited in the exhaust chamber should be light, fluffy, grey or white in color, and should be no higher than half way up the clean-out port.

- Using a utility type vacuum cleaner, vacuum the fly ash out of the exhaust chamber. A short piece of hose can be attached to the end of the utility vacuum line and can be useful in reaching the ash. Replace the clean-out port covers when finished.
- A specially designed ash vacuum is available from the England's Stove Works website; please see: store.heatredefined.com .

MONTHLY MAINTENANCE

- NOTE: As with any maintenance concerning this unit, be sure the unit is "OFF," has completed the Shut-Down cycle, and is completely cool BEFORE beginning.
- Be aware that metal parts in the firebox can remain HOT long after the fire has gone out and EVEN after the Shut-Down cycle is complete. Always use extreme caution when handling potentially hot stove parts, even if you think they should be cold.
- Monthly maintenance should include the steps listed in this section AS WELL AS the steps listed in the "Daily Maintenance" and "Weekly Maintenance" section.
- Intervals between monthly cleanings will depend on the duration that the stove is burning on a daily basis. A stove which is operated continuously will need more frequent monthly cleanings than a stove which is used periodically as supplemental heat.
- A good rule of thumb for monthly maintenance is that it should be done each time an entire ton of pellets is burned OR once per month, whichever comes first.
- If excess ash accumulation is found in the exhaust chamber or venting system during monthly maintenance, the interval between cleanings should be reduced to eliminate the possibility of poor stove performance due to ash accumulation.
- A specially designed ash vacuum is available from the England's Stove Works website; please see: store.heatredefined.com

(Continued next page)

MONTHLY MAINTENANCE

Venting Pipe Cleaning

- Low spots and direction changes in the venting system (such as tees and elbows) are areas for potential fly-ash and creosote accumulation. INSPECT these areas diligently to keep the venting system in safe operating condition.
- Depending on the specific type of venting system your stove is connected to, it may be possible to remove the clean-out tee cover and simply run a pipe brush up the pipe to remove any fly-ash accumulation.
- Horizontal runs of pipe, such as from the exhaust connection on the stove to the vertical transition, will accumulate fly ash and should be inspected carefully and brushed clean.
- Check the termination cap to be certain it is not clogged or restricted by any fly-ash accumulation.
- After thoroughly cleaning the venting system, reseal any disassembled seams with high temperature silicone (Part # AC-RTV3) if applicable to your venting system.
- Inspect seams that were not disassembled to be certain a smoke-tight seal is still being made.
- After prolonged use, leaks in the venting system can usually be found by searching for fly-ash deposits on the outside of the pipe. Carefully check for leaks in the venting system and seal them accordingly.
- Although most pellet venting systems are designed to last a lifetime, pellet fly-ash can be corrosive under certain conditions. When cleaning your venting system, examine the pipe carefully for any signs of deterioration and replace sections that show excessive wear. It is unlikely that this will ever be a concern, but maintaining your venting system in safe operating condition is crucial to safe stove operation.

YEARLY MAINTENANCE

Important Notes

- As with any maintenance concerning this unit, be sure the unit is “OFF,” has completed the Shut-Down cycle, and is completely cool BEFORE beginning.
- Be aware that metal parts in the firebox can remain HOT long after the fire has gone out and EVEN after the Shut-Down cycle is complete. Always use extreme caution when handling potentially hot stove parts, even if you think they should be cold.
- Yearly (or end of season) maintenance should include the steps listed in this section AS WELL AS the steps listed in the “Daily Maintenance,” “Weekly Maintenance” and “Monthly Maintenance” sections of this manual.
- Yearly maintenance should be performed at the end of the burning season. Leaving ash and other build-up in the stove during the non-heating months can lead to premature metal degradation in the stove and venting system. Using extra attention to detail and being certain to be very thorough in the end of season cleaning will help increase the operating life of the stove and venting system.
- The unit should be unplugged during the summer months (and periods of non-use), to help protect against the possibility of damage due to lightning strikes and other power disruptions.

SOOT AND FLY ASH: FORMATION AND NEED FOR REMOVAL

The products of combustion will contain small particles of fly ash. The fly ash will collect in the exhaust venting system and restrict the flow of the flue gases. Incomplete combustion, such as that which occurs during startup, shutdown or incorrect operation of the room heater will lead to some soot formation which will collect in the exhaust venting system. The exhaust venting system should be inspected at least once every year to determine if cleaning is necessary.

Caution – Shock Hazard

Press the “Off” button and let the appliance completely cool BEFORE unplugging the appliance and beginning any maintenance or component replacement.

Risk of shock if appliance is not unplugged before service.

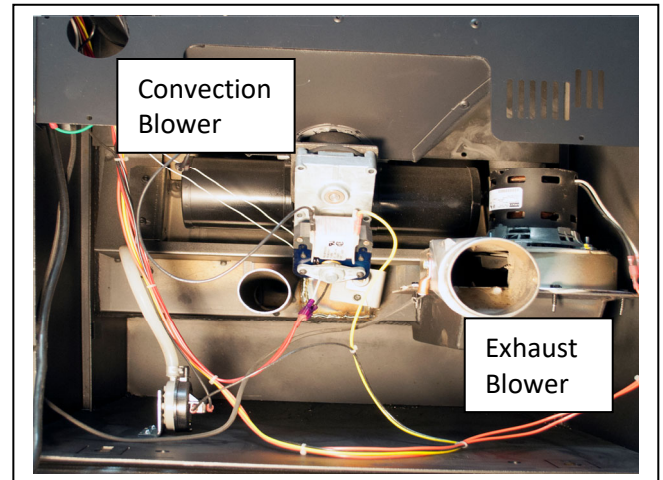
YEARLY MAINTENANCE

Exhaust Blower Cleaning

Although the exhaust blower and blower housing were designed to minimize ash build-up, some fly-ash will still accumulate there throughout the burning season. The amount and type of ash will depend on the type of pellets and venting system, but generally this accumulation will be mild. If, when cleaning the exhaust blower, a large accumulation of fly-ash is found, cleaning the exhaust blower and housing should be performed monthly or bimonthly to prevent this excess buildup.

Instructions

- Before beginning the exhaust blower cleaning procedure, be certain the unit is unplugged and thoroughly cooled down.
- Remove the left side panel of the stove, using a 5/16" wrench or nut driver.
- Disconnect the venting system from the exhaust blower just enough that you will be able to remove the exhaust blower from the stove.
- Once the panel is off, the exhaust blower will be clearly visible.
- Unplug the two wires which connect the stove wiring harness to the exhaust blower, using the quick connect plugs. Disconnect the heat sensor that is mounted (with a screw) to the exhaust blower.
- Loosen the five (5) 5/16" self-drilling screws which hold the exhaust blower to the exhaust blower tube.
- Lift the exhaust blower up and out of the stove. The gasket which seals the exhaust blower to the exhaust blower tube is fragile, so take extra care when removing the blower. Even when being careful, though, it is easy to tear this fragile gasket, and since an airtight seal is crucial here, it is best to replace this gasket (Part # - PU-CBMG) every time the exhaust blower is removed.
- With the exhaust blower removed, use a utility vacuum to remove any ash accumulation in the exhaust blower tube.
- Use a soft paint brush and carefully remove any ash accumulation from the inside of the exhaust blower, and from the exhaust blower fan blade.
- Inspect the exhaust blower motor for dust accumulation and carefully remove it, ensuring that all air cooling holes into the motor are open and free of dust deposits.
- Install the blower in the reverse order as described above. Remember to check the condition of the exhaust blower gasket and to replace the heat sensor onto the exhaust blower.
- Reinstall the venting system and panels.



Convection Blower Cleaning

As always, be certain the stove is cool and **unplugged** before servicing any components within the unit. Since the convection blower does not handle any by-products of combustion, it does not require serious cleaning like the exhaust blower. However, dust from the home and other debris in the air can accumulate on the blades of the convection blower. Remove the rear panel of the unit, using a 5/16" wrench or nut driver. The convection blower is located in the middle of the stove (see image, above). Any dust that has built up on

IMPORTANT! READ AND FOLLOW ALL INSTALLATION AND MAINTENANCE INSTRUCTIONS, INCLUDING CLEANING THE UNIT AS SPECIFIED, AND REPLACING GASKETS ANNUALLY, AND PARTS AS NEEDED.
ENGLAND'S STOVE WORKS IS NOT RESPONSIBLE FOR ANY DAMAGE OR INJURY INCURRED DUE TO NEGLIGENCE, OR DUE TO UNSAFE INSTALLATION OR USAGE OF THIS PRODUCT. CALL TECHNICAL SUPPORT WITH ANY QUESTIONS.

the fan blades (on both sides of the blower) can usually be easily removed with a vacuum or a soft paint brush. Remove (4) $\frac{5}{16}$ " screws that hold the bracket in place to remove the blower, if necessary.

Cleaning Pellet Fines from the Hopper and Auger

Depending on the type and quality of pellets burned in the stove, some accumulation of pellet fines and dust is possible in the hopper. The lowest part of the auger, near the back of the stove, is where most fines will accumulate. With the stove off, **unplugged**, completely cool and with the hopper empty, use a utility vacuum to remove the fines from the auger tube. If the fines cannot be removed from the top of the hopper:

- Remove the back panel, using a $\frac{5}{16}$ " socket or nut driver to remove the screws.
- Locate the auger motor assembly at the middle rear of the stove, and once it is found, find the two set screws on either side of the cast iron mounting collar.
- Using a $\frac{1}{8}$ " allen wrench, loosen the set screw on either side of the auger mounting collar.
- With a utility vacuum in hand, let the auger assembly slide out of the auger tube just enough so that the vacuum can be used to remove any fines from this area.
- Reinstall the auger assembly and tighten the two set screws; reinstall the back panel, being certain to tighten the retaining screws on the rear of the stove.

Cleaning Pellet Fines Inside Auger Tube

- Remove the auger cover plate (located above the auger at the bottom of the hopper) by removing the (8) $\frac{5}{16}$ " screws that hold it in place. Using a utility vacuum remove any excess dust or fines that have collected in the auger tube around the auger.
- Re-install auger cover plate in reverse method.

Checking Gaskets

An airtight seal at the door opening is crucial to proper stove performance. Any air leaks in this area can not only cause a dirty, inefficient burn but can also pose a serious safety threat. Because of this, the door gasket should always be maintained in good condition, and replaced annually or sooner if necessary. Gasket tightness can be checked using the "dollar-bill" method:

- Place a dollar bill between the gasket and the stove body (at the location where the gasket meets the stove).
- Close the door tightly and attempt to pull the dollar bill out. If the dollar bill slides in and out easily, the gasket needs to be replaced. This test should be repeated around the entire gasket perimeter, as gaskets will sometimes seal tightly on one side, but will be worn and seal poorly on another side.

Trouble-Shooting Guide

WARNING: To avoid **ELECTRICAL SHOCK** always *disconnect* the unit from the power source **BEFORE** attempting any repair. If this guide does not correct the problem, call your local dealer or Technical Support at 1-800-245-6489.

*See ERROR CODES section earlier in this manual for information on troubleshooting Error Codes

<u>Problem</u>	<u>Cause</u>	<u>Solution</u>
Auger not turning	<ol style="list-style-type: none"> 1. Bad auger motor. 2. Foreign matter jamming auger. 3. Vacuum sensor. 	<ol style="list-style-type: none"> 1. Replace auger motor. 2. Remove pellets and object. 3. Check exhaust blower.
Smoke smell or dust in house	<ol style="list-style-type: none"> 1. Improper exhaust connection. 	<ol style="list-style-type: none"> 1. Check exhaust connections for leaks, especially the exhaust blower connect. Seal leaks with silicone, aluminum tape or a hose clamp.
Room blower not operating	<ol style="list-style-type: none"> 1. Loose thermal sensor. 2. Blower speed set higher than heat range, causing stove to cool and blower to cycle. 3. Loose connection. 	<ol style="list-style-type: none"> 1. Tighten connection on sensor. 2. Lower blower speed. 3. Check control board connection.
Exhaust blower not operating	<ol style="list-style-type: none"> 1. Loose connection. 2. Bad blower. 3. Bad vacuum sensor. 	<ol style="list-style-type: none"> 1. Check control board connection. 2. Replace blower. 3. Replace vacuum sensor.
Lazy Fire	<ol style="list-style-type: none"> 1. Bad exhaust blower. 2. Excessive pellet moisture. 3. Excessive ash build-up. 4. Low quality pellets. 	<ol style="list-style-type: none"> 1. Inspect and replace blower. 2. Keep pellets dry. 3. Thoroughly clean unit. 4. Use only PFI premium pellets.
Blown Fuse	<ol style="list-style-type: none"> 1. Power surge. 2. Exposed wire. 3. Electrical component shorting. 	<ol style="list-style-type: none"> 1. Replace fuse; use surge protector. 2. Check for exposed or frayed wire and loose connections. 3. Check motors and blowers for obstructions or short circuits.
High Pellet Consumption	<ol style="list-style-type: none"> 1. Low quality or non-uniformly sized pellets. 	<ol style="list-style-type: none"> 1. Use premium pellets or try another pellet brand.
Squeaking Noise	<ol style="list-style-type: none"> 1. Obstruction in auger tube. 2. Blower Noise. 	<ol style="list-style-type: none"> 1. Check auger tube for foreign objects. 2. Remove, clean, and oil blower.
Pinging or Rattling Noise	<ol style="list-style-type: none"> 1. Foreign material in blower. 2. Loose exhaust fan set screw. 	<ol style="list-style-type: none"> 1. Check both blowers for material. 2. Check set screw for tightness.

IMPORTANT! READ AND FOLLOW **ALL** INSTALLATION AND MAINTENANCE INSTRUCTIONS, INCLUDING CLEANING THE UNIT AS SPECIFIED, AND REPLACING GASKETS ANNUALLY, AND PARTS AS NEEDED.

ENGLAND'S STOVE WORKS IS NOT RESPONSIBLE FOR ANY DAMAGE OR INJURY INCURRED DUE TO NEGLIGENCE, OR DUE TO UNSAFE INSTALLATION OR USAGE OF THIS PRODUCT. CALL TECHNICAL SUPPORT WITH ANY QUESTIONS.

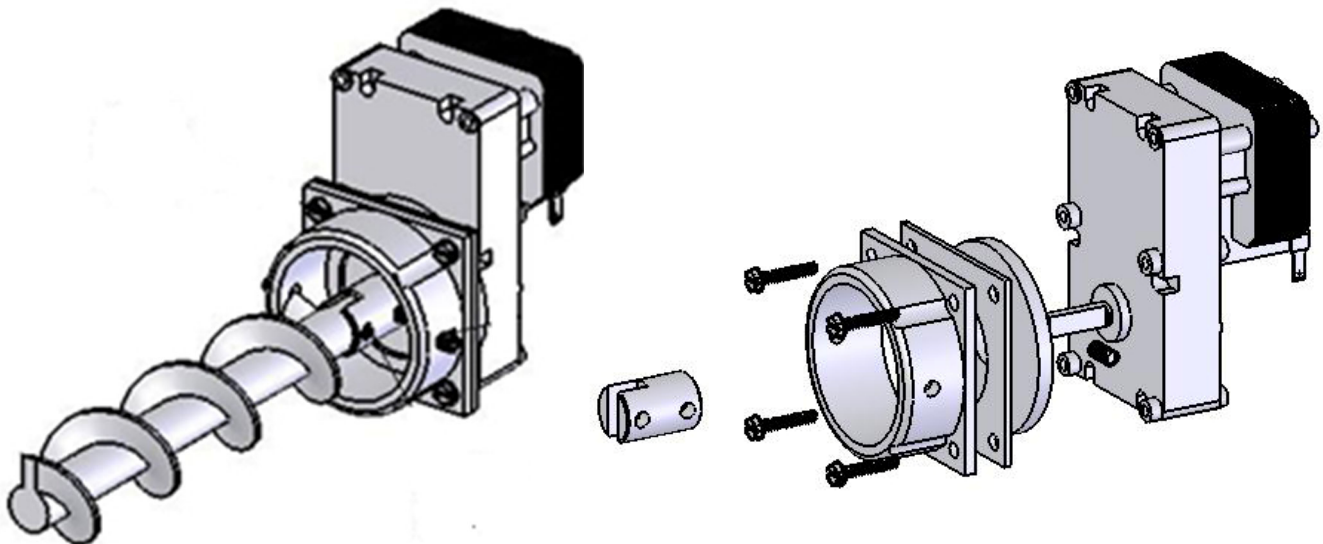
Unit Shuts Down in 15-20 minutes with an "FS" code on control board. (Failed Start)	<ol style="list-style-type: none"> 1. Loose thermal sensor. 2. Control board settings. 3. Failure to light pellets. 	<ol style="list-style-type: none"> 1. Check both sides of thermal sensor connection (exhaust blower and control board). 2. Start stove on minimum Heat Range 5 to ensure a good fire is started. 3. Check igniter for buildup or failure.
"OT" Code on Control Board (OverTemp)	<ol style="list-style-type: none"> 1. Convection (Room Air) blower failure. 2. Partially blocked flue. 3. Using fuel other than premium wood pellets. 	<ol style="list-style-type: none"> 1. Check convection blower for proper function, replace if necessary. 2. Check flue for obstructions. 3. Use ONLY premium wood pellets in this stove.
<p>Notes:</p> <ol style="list-style-type: none"> 1. Whenever instructed to check/replace the vacuum sensor, also check for loose or cracked vacuum hose. Also, be certain the vacuum measurement port in the firebox is kept clean (clean with a pipe cleaner or brush, do not use a vacuum to clean this port). 2. To restart and clear an error code displayed on the control board, push the "ON" button and the unit should reset the error and restart. 3. If you are uncertain about the meaning of an error code or have any questions at all, PLEASE contact Technical Support at (800)245-6489. 		

IMPORTANT! READ AND FOLLOW **ALL** INSTALLATION AND MAINTENANCE INSTRUCTIONS, INCLUDING CLEANING THE UNIT AS SPECIFIED, AND REPLACING GASKETS ANNUALLY, AND PARTS AS NEEDED.
ENGLAND'S STOVE WORKS IS NOT RESPONSIBLE FOR ANY DAMAGE OR INJURY INCURRED DUE TO NEGLIGENCE, OR DUE TO UNSAFE INSTALLATION OR USAGE OF THIS PRODUCT. CALL TECHNICAL SUPPORT WITH ANY QUESTIONS.

REPLACING COMPONENTS

Auger Motor

- Before beginning any component replacement, be certain the unit is unplugged and thoroughly cooled down. Also, make sure the hopper is empty before attempting to remove or replace the auger motor assembly.
- Remove the back panel of the unit, using a $\frac{5}{16}$ " wrench. Before loosening any auger motor bolts, detach the wiring harness from the auger motor.
- Locate the auger motor assembly at the rear of the stove, and begin by loosening the (2) $\frac{1}{8}$ " allen set screws on either side of the cast iron auger motor coupler.
- Slide the auger assembly out of the tube.
- Remove the (4) screws which hold the cast iron auger motor coupler to the auger motor, using a $\frac{5}{16}$ " wrench. Slide the cast iron auger motor coupler and the steel spacer plate off of the auger motor.
- Loosen the $\frac{1}{8}$ " allen set screw which holds the steel auger coupler to the auger motor output shaft, and remove the steel auger coupler, as well as the rubber vibration dampener.
- Reinstall the parts in reverse order on the new auger motor, being careful not to over-tighten the bolts which hold the cast iron auger coupler to the auger motor.



IMPORTANT! READ AND FOLLOW ALL INSTALLATION AND MAINTENANCE INSTRUCTIONS, INCLUDING CLEANING THE UNIT AS SPECIFIED, AND REPLACING GASKETS ANNUALLY, AND PARTS AS NEEDED.
ENGLAND'S STOVE WORKS IS NOT RESPONSIBLE FOR ANY DAMAGE OR INJURY INCURRED DUE TO NEGLIGENCE, OR DUE TO UNSAFE INSTALLATION OR USAGE OF THIS PRODUCT. CALL TECHNICAL SUPPORT WITH ANY QUESTIONS.

REPLACING COMPONENTS

Convection Blower

- Before beginning any component replacement, be certain the unit is unplugged and thoroughly cooled down.
- Remove the rear panel (using a $\frac{5}{16}$ " wrench) and locate the convection blower.
- Detach the convection blower from the wiring harness before going any further.
- Loosen and remove the (4) $\frac{5}{16}$ " screws which hold the blower assembly to the stove; remove the blower assembly from the stove.
- Installation of the new blower is performed in reverse of removal; remember to reconnect the new blower to the wiring harness. (When installing the new blower, place the blower motor opening pointing UP, towards the top of the stove.)

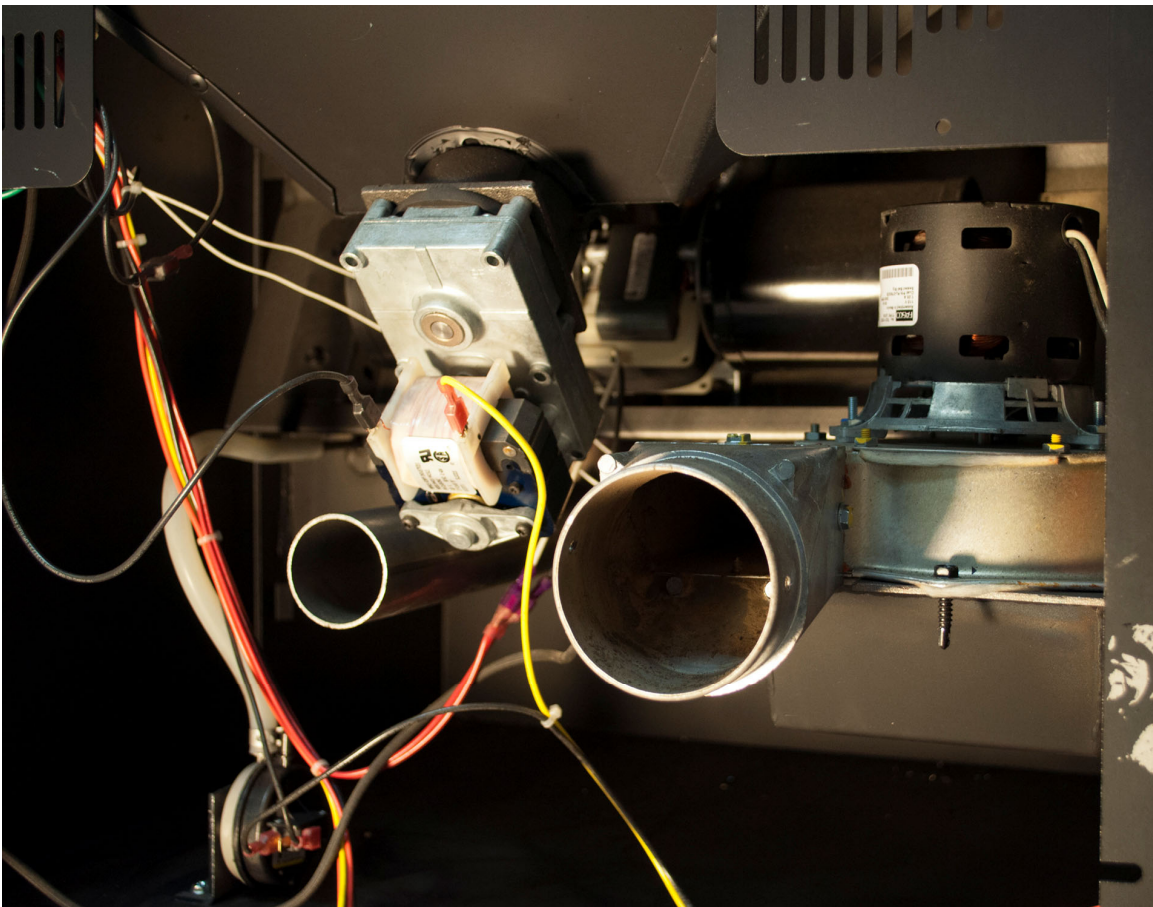


IMPORTANT! READ AND FOLLOW **ALL** INSTALLATION AND MAINTENANCE INSTRUCTIONS, INCLUDING CLEANING THE UNIT AS SPECIFIED, AND REPLACING GASKETS ANNUALLY, AND PARTS AS NEEDED.
ENGLAND'S STOVE WORKS IS NOT RESPONSIBLE FOR ANY DAMAGE OR INJURY INCURRED DUE TO NEGLIGENCE, OR DUE TO UNSAFE INSTALLATION OR USAGE OF THIS PRODUCT. CALL TECHNICAL SUPPORT WITH ANY QUESTIONS.

REPLACING COMPONENTS

Combustion Blower

- Before beginning any component replacement, be certain the unit is unplugged and thoroughly cooled down.
- Remove the left side panel and locate the combustion (exhaust) blower.
- Disconnect the venting system from the exhaust blower, and disconnect the exhaust blower from the stove wiring harness. To remove the venting pipe, removal of the rear panel (using a $\frac{5}{16}$ " wrench) may be necessary.
- Remove all (5) screws which hold the exhaust blower to the exhaust blower tube. Remove the heat sensor which is connected (with a screw) to the exhaust blower. Once the screws have been removed, the blower can be lifted up and out of the stove.
- Reinstallation is the exact opposite of the steps above; however, be certain to check the condition of the exhaust blower gasket and replace if necessary.

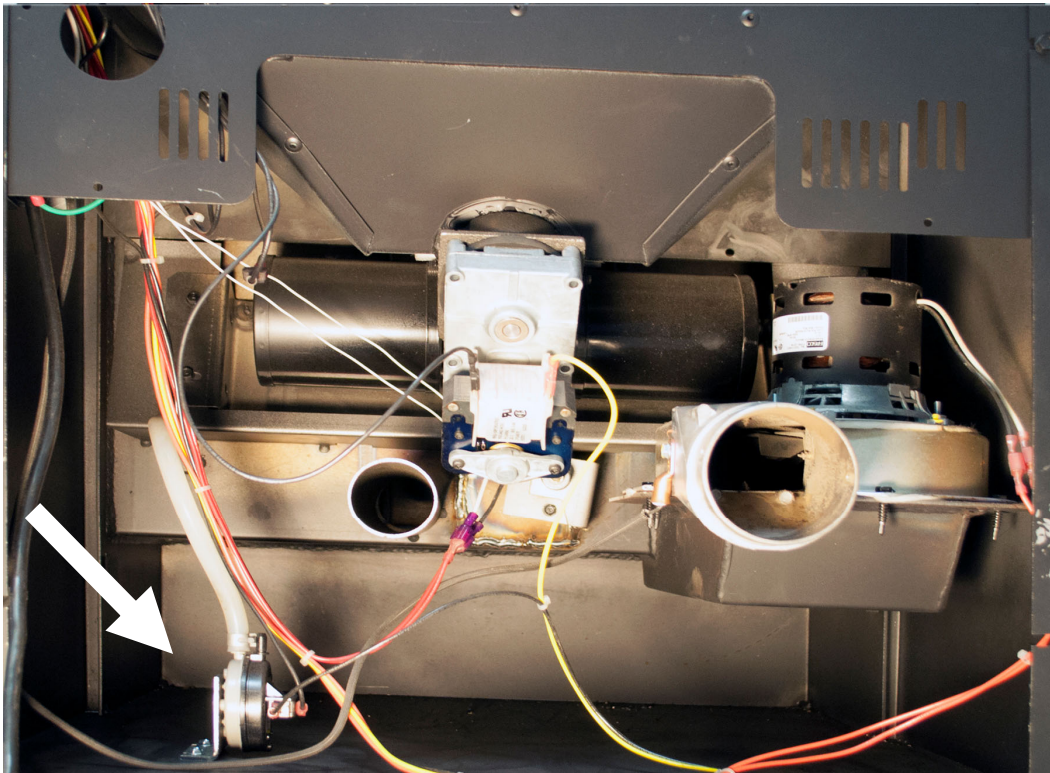


IMPORTANT! READ AND FOLLOW ALL INSTALLATION AND MAINTENANCE INSTRUCTIONS, INCLUDING CLEANING THE UNIT AS SPECIFIED, AND REPLACING GASKETS ANNUALLY, AND PARTS AS NEEDED.
ENGLAND'S STOVE WORKS IS NOT RESPONSIBLE FOR ANY DAMAGE OR INJURY INCURRED DUE TO NEGLIGENCE, OR DUE TO UNSAFE INSTALLATION OR USAGE OF THIS PRODUCT. CALL TECHNICAL SUPPORT WITH ANY QUESTIONS.

REPLACING COMPONENTS

Vacuum Switch

- Before beginning any component replacement, be certain the unit is unplugged and thoroughly cooled down.
- Remove the right side panel (see pg. 43 for panel instructions). Removal of the rear panel may help, as well.
- Locate the vacuum switch as shown in the diagram below.
- Disconnect the stove wiring harness and vacuum hose from the vacuum switch, *taking note of where connections were made.*
- Remove the (2) screws which hold the vacuum switch to the vacuum switch bracket, using a Phillips screw driver.
- Installation is the reverse of removal; be absolutely certain the wires and vacuum hose are connected as they previously were (and according to the wiring diagram in this manual).

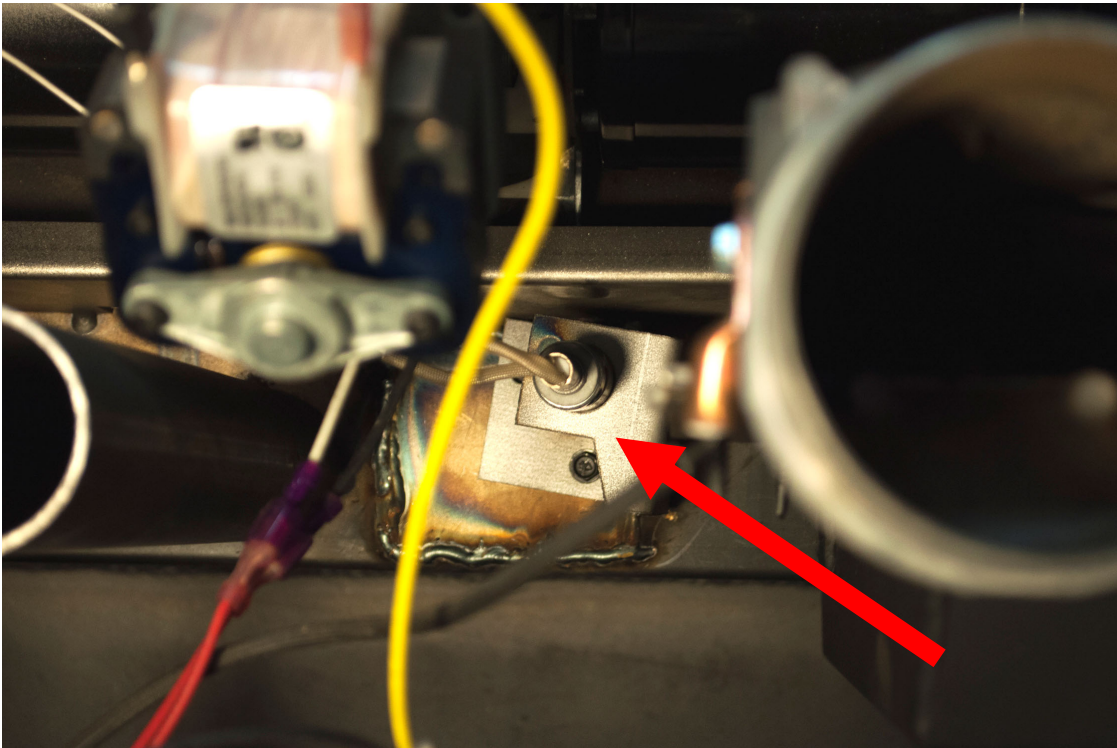


IMPORTANT! READ AND FOLLOW **ALL** INSTALLATION AND MAINTENANCE INSTRUCTIONS, INCLUDING CLEANING THE UNIT AS SPECIFIED, AND REPLACING GASKETS ANNUALLY, AND PARTS AS NEEDED.
ENGLAND'S STOVE WORKS IS NOT RESPONSIBLE FOR ANY DAMAGE OR INJURY INCURRED DUE TO NEGLIGENCE, OR DUE TO UNSAFE INSTALLATION OR USAGE OF THIS PRODUCT. CALL TECHNICAL SUPPORT WITH ANY QUESTIONS.

REPLACING COMPONENTS

Igniter

- Before beginning any component replacement, be certain the unit is unplugged and thoroughly cooled down.
- Remove the rear panel of the unit, using a $\frac{5}{16}$ " wrench.
- Locate the igniter as shown in the diagram below.
- Disconnect the igniter wiring from the control board and use a $\frac{5}{16}$ " wrench to remove the two igniter retaining screws that fasten the assembly to the stove. Remove the assembly from the stove.
- Loosen the Allen set screw ($\frac{1}{8}$ " Allen wrench) from the igniter tube and remove the old igniter cartridge.
- Install the new igniter in the igniter tube, retighten the set screw and reinstall the assembly into the stove (remember to reconnect the wiring).
- Reinstall the rear panel.



IMPORTANT! READ AND FOLLOW ALL INSTALLATION AND MAINTENANCE INSTRUCTIONS, INCLUDING CLEANING THE UNIT AS SPECIFIED, AND REPLACING GASKETS ANNUALLY, AND PARTS AS NEEDED.
ENGLAND'S STOVE WORKS IS NOT RESPONSIBLE FOR ANY DAMAGE OR INJURY INCURRED DUE TO NEGLIGENCE, OR DUE TO UNSAFE INSTALLATION OR USAGE OF THIS PRODUCT. CALL TECHNICAL SUPPORT WITH ANY QUESTIONS.

REPLACING COMPONENTS

IMPROPER GASKET MAINTENANCE, INCLUDING FAILURE TO REPLACE GASKETS,
CAN CAUSE AIR LEAKS RESULTING IN SMOKE-BACKS.

Gaskets

1. Door

- This unit comes with a $\frac{3}{4}$ " rope gasket in the channel around the door opening that should be replaced at least once every year. To replace the door gasket (Part # AC-DGKC), the old gasket must first be removed entirely — prior to adding the new adhesive, you may have to scrape the old cement from the channel. Once the cement and gasket have been added, the door should be closed and latched for twenty-four hours to allow the cement to harden. See next page for more info.

2. Window

- If you are replacing the window gasket (Part # AC-GGK), the new gasket will already have adhesive on one side. Remove the paper on the adhesive side and place the gasket around the outside edge of the glass, centered over the edge. Fold the gasket edges over on the glass, forming a “U” shape.

3. Combustion Blower

- The Combustion Blower Gasket (Part # PU-CBMG) should be inspected whenever you remove or clean the Combustion Blower, and replaced if necessary.

4. Combustion Blower Motor

- The combustion blower motor gasket (Part # PU-CBMG) generally does not need replacement, as it is not normally removed from the unit. However, if the exhaust blower is cleaned by removing the motor, rather than the entire blower assembly, this gasket must be inspected and replaced as necessary.

REPLACING COMPONENTS

Glass Replacement (includes Door Gasket replacement instructions)

1. Remove the door from the stove and rest it face-down on a firm work surface.
2. Remove the door gasket using a pair of pliers to pull it out of the channel.
3. Using a $\frac{5}{16}$ " wrench, remove the (4) screws that hold the glass tabs in place on the door and remove the glass tabs.
4. Lift the old glass panel out and discard (be especially careful if the old glass is broken or cracked).
5. The new glass panel must be wrapped with a self-adhesive fiberglass tape gasket (Part # AC-GGK). This gasket serves to cushion the glass from the steel door and brackets.
6. Reinstall the glass tabs using the screws previously removed. Do not over-tighten the screws.
7. Install the new door gasket (Part# AC-DGKC) using the provided high temperature adhesive.
8. Hang the door back on the stove and close tightly and allow 24 hours for adhesive to cure.

Ceramic Glass Specifications

- Glass Size: 9.125 in. (232 mm) x 9.125 in. (232 mm)
- Glass Type: 5mm Ceramic Glass (Keralite Pyroceram)
- Glass Manufacturer: Eurokera

Glass Precautions

- Never replace ceramic glass with tempered or any other type of glass.
- Never operate this unit with cracked or broken glass.
- Do not slam the door or strike the glass with any objects.

Glass Cleaning

1. Be certain the stove **and** the glass are completely cool.
2. The build-up on the glass will generally be light and water is normally sufficient to remove the deposits.
If stubborn soot persists, use a cleaner made specifically for this purpose. Do not scrape the glass or use abrasive cleaners.
3. Rinse the glass with clean water and dry the glass before resuming normal operation.

REPLACING COMPONENTS

Control Board

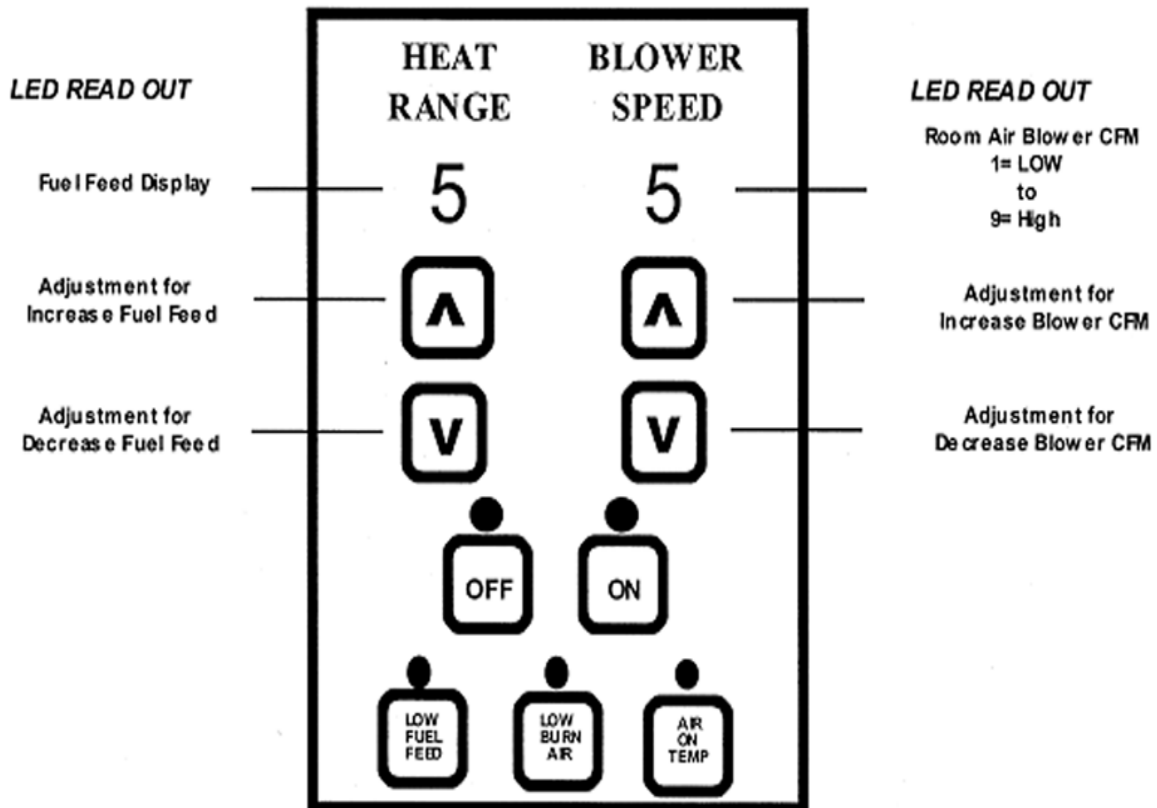
The Control Board (Part # PU-CB19) is a digital read-out board. This board offers a wide variety of settings to operate the unit. The right side panel should be removed prior to removing the control board, using a $\frac{5}{16}$ " wrench or nut driver. The control board can be removed from the unit by loosening the two outside screws and pulling the board back to the inside of the stove. A 6-amp "quick-blow" fuse is used on this Control Board.

NOTE: The bottom three control buttons are preset at the factory and are not user adjustable. See the "Daily Operation" section on page 18 of the manual for more instructions on Control Board settings.

Recommended Heat Ranges:

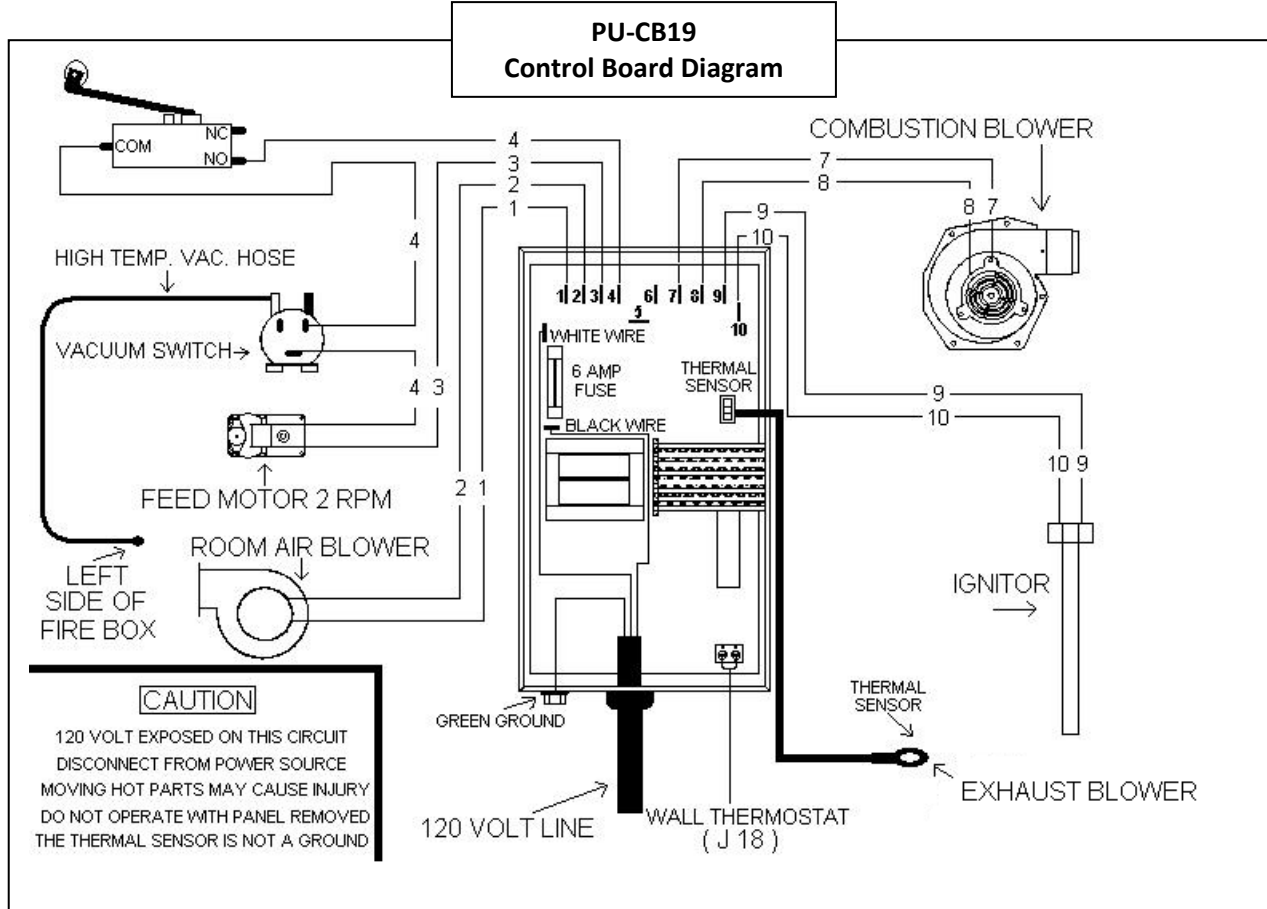
Low Burn:	Heat Range setting: 1	Room Air Blower setting: 1
Medium Low:	Heat Range setting: 2 – 3	Room Air Blower setting: *
Medium High:	Heat Range setting: 4 – 8	Room Air Blower setting: *
High Burn:	Heat Range setting: 9	Room Air Blower setting: 9

* NOTE: Blower Speed will automatically be adjusted to the desired Heat Range that you select.



IMPORTANT! READ AND FOLLOW ALL INSTALLATION AND MAINTENANCE INSTRUCTIONS, INCLUDING CLEANING THE UNIT AS SPECIFIED, AND REPLACING GASKETS ANNUALLY, AND PARTS AS NEEDED.
ENGLAND'S STOVE WORKS IS NOT RESPONSIBLE FOR ANY DAMAGE OR INJURY INCURRED DUE TO NEGLIGENCE, OR DUE TO UNSAFE INSTALLATION OR USAGE OF THIS PRODUCT. CALL TECHNICAL SUPPORT WITH ANY QUESTIONS.

WIRING DIAGRAM



Caution – Shock Hazard

- Press the “Off” button and let the appliance completely cool BEFORE unplugging the appliance and beginning any maintenance or component replacement.
- Risk of shock if appliance is not unplugged before service.

IMPORTANT! READ AND FOLLOW ALL INSTALLATION AND MAINTENANCE INSTRUCTIONS, INCLUDING CLEANING THE UNIT AS SPECIFIED, AND REPLACING GASKETS ANNUALLY, AND PARTS AS NEEDED.
ENGLAND’S STOVE WORKS IS NOT RESPONSIBLE FOR ANY DAMAGE OR INJURY INCURRED DUE TO NEGLIGENCE, OR DUE TO UNSAFE INSTALLATION OR USAGE OF THIS PRODUCT. CALL TECHNICAL SUPPORT WITH ANY QUESTIONS.

HOPPER LID HINGES

The hopper lid is attached to the top of the stove by two removable hinges.

To remove the hopper lid hinges:

- Remove the (4) screws that hold each hinge in place, using a $\frac{5}{16}$ " socket.
- Re-Install hinges in the reverse method.



HOPPER LID HANDLE

The hopper lid handle snaps into place in the opening in the hopper lid.

To remove the hopper lid handle:

- Lift the hopper lid up (in the open position).
- Press up on the bottom of the handle and it will pop out of place.
- To install new handle, insert at the top of the hopper lid and press down until handle snaps into place.



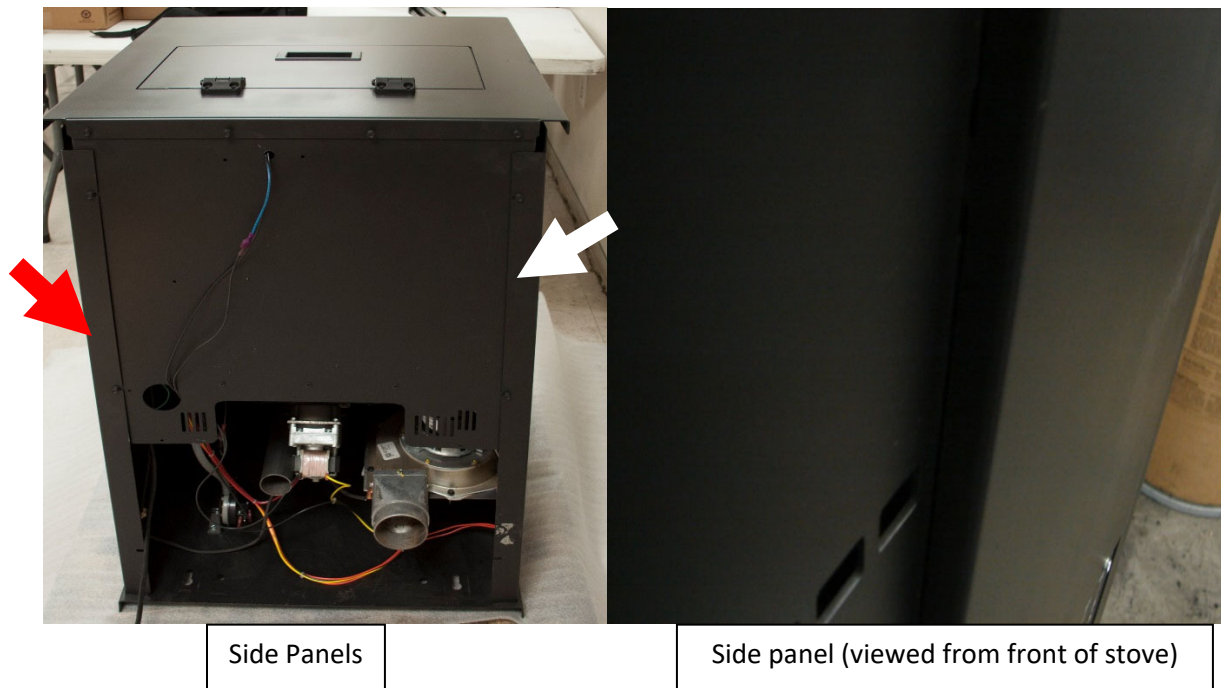
IMPORTANT! READ AND FOLLOW **ALL** INSTALLATION AND MAINTENANCE INSTRUCTIONS, INCLUDING CLEANING THE UNIT AS SPECIFIED, AND REPLACING GASKETS ANNUALLY, AND PARTS AS NEEDED.
ENGLAND'S STOVE WORKS IS NOT RESPONSIBLE FOR ANY DAMAGE OR INJURY INCURRED DUE TO NEGLIGENCE, OR DUE TO UNSAFE INSTALLATION OR USAGE OF THIS PRODUCT. CALL TECHNICAL SUPPORT WITH ANY QUESTIONS.

SIDE PANELS

The side panels are designed to hang onto the sides of the stove and can easily be removed to perform regular cleaning (and any maintenance that may need to be done in the back of the stove).

To remove a side panel:

- Loosen (DO NOT REMOVE) the (3) 5/16" screws that hold the side panel to rear of the stove.
- Grasp the panel and pull until the panel is removed from the side tracks and comes off of the stove.
- Re-install the side panels using the reverse of this method.

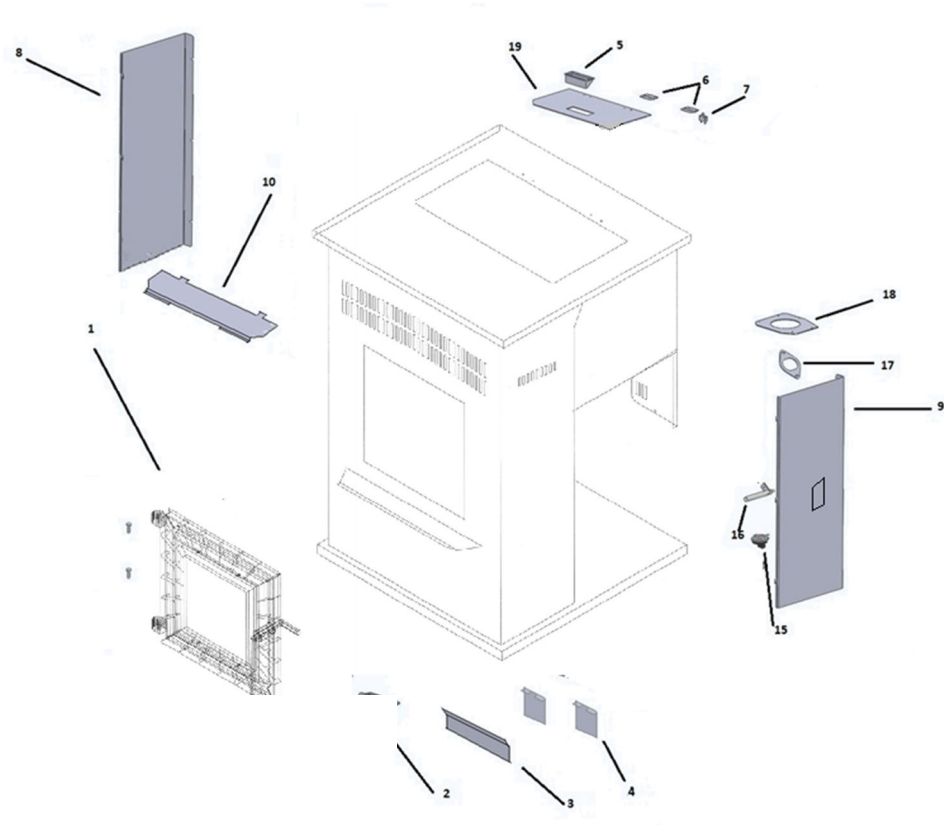


FINISH

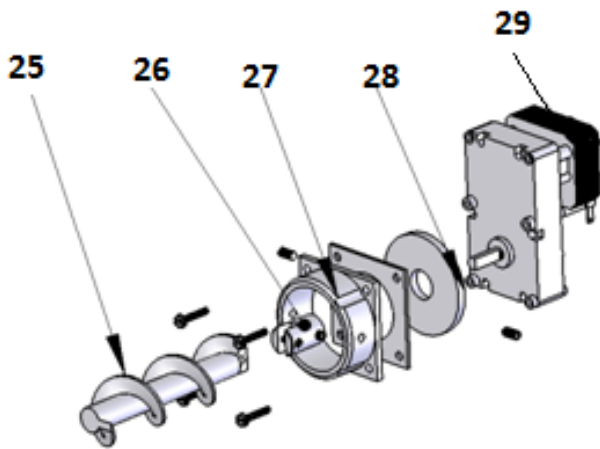
This new unit has been painted with High-Temperature paint that should retain its original look for years. If the unit should get wet and rust spots appear, the spots can be sanded with fine steel wool and repainted. It is crucial that only High-Temperature Spray Paint is used (Part# AC-MBSP), as others may not adhere to the surface or withstand the high temperatures. Similarly, some brands of paint will not adhere to different brands of paint, so we highly recommend using our proprietary High-Temperature Spray Paint.

IMPORTANT! READ AND FOLLOW ALL INSTALLATION AND MAINTENANCE INSTRUCTIONS, INCLUDING CLEANING THE UNIT AS SPECIFIED, AND REPLACING GASKETS ANNUALLY, AND PARTS AS NEEDED.
ENGLAND'S STOVE WORKS IS NOT RESPONSIBLE FOR ANY DAMAGE OR INJURY INCURRED DUE TO NEGLIGENCE, OR DUE TO UNSAFE INSTALLATION OR USAGE OF THIS PRODUCT. CALL TECHNICAL SUPPORT WITH ANY QUESTIONS.

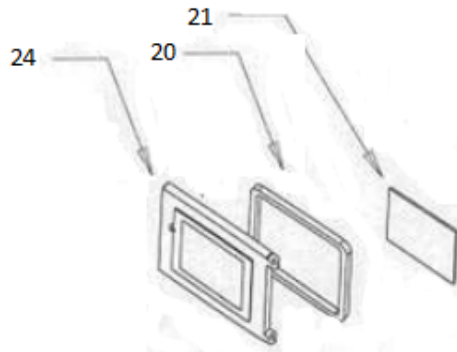
ILLUSTRATED PARTS DIAGRAM



Auger Motor Assembly



Door Assembly



IMPORTANT! READ AND FOLLOW **ALL** INSTALLATION AND MAINTENANCE INSTRUCTIONS, INCLUDING CLEANING THE UNIT AS SPECIFIED, AND REPLACING GASKETS ANNUALLY, AND PARTS AS NEEDED.
ENGLAND'S STOVE WORKS IS NOT RESPONSIBLE FOR ANY DAMAGE OR INJURY INCURRED DUE TO NEGLIGENCE, OR DUE TO UNSAFE INSTALLATION OR USAGE OF THIS PRODUCT. CALL TECHNICAL SUPPORT WITH ANY QUESTIONS.

REPLACEMENT PARTS LIST

Part No	Description	From Diagram
BM-1288	Room Air Blower	Not Shown
CU-047042	2.4 RPM Auger motor CW Rotation	29
PU-076002B	Combustion Exhaust Blower(Neg)	Not Shown
AC-DGKC	Door Gasket Kit	20
PU-HLSB	Hopper Lid Safety Switch	7
CU-VS	.05 Vacuum Switch	15
PU-CB19	Control Board	Not Shown
R-WIRE-H06	Control Board Wiring Harness	Not Shown
AC-HPS	Hinge Pin (qty. 2)	1
AC-MBSP	Stove Paint	Not Shown
AC-SHN	Nickel Spring Handle	Not Shown
CA-AC	Auger Coupler	26
CA-AMPP	Auger Mounting Plate	27
PU-AFS	Steel Auger	25
AC-CHAPAH	Igniter Assembly	16
PU-IH	Hopper Lid Hinge	6
PU-VH	Vacuum Hose	Not Shown
AC-GGK	Glass Gasket	Not Shown
AC-G9	Door Glass	21
AC-GS19	Glass Tabs	Not Shown
AC-HLH	Hopper Lid Handle	5
AC-PAHTB	Top Baffle	10
AC-SSDTG	Drop Tube Gasket	17
CA-19A	Cast Iron Door	24
PU-BPAH	Burn Pot	2
PU-CBMG	Combustion Blower & Motor Gasket	18
PU-SSACP	Auger Cover Plate	Not Shown
PU-ECPCB120	Heat Exchange Cleanout Plate (Qty. 2)	4
PU-RABMP	Room Air Blower Mounting Plate	Not Shown
CU-RG	Rubber Vibration Dampener	28
PU-RSP	Right Side Panel	9
PU-LSP	Left Side Panel	8

IMPORTANT! READ AND FOLLOW ALL INSTALLATION AND MAINTENANCE INSTRUCTIONS, INCLUDING CLEANING THE UNIT AS SPECIFIED, AND REPLACING GASKETS ANNUALLY, AND PARTS AS NEEDED.
 ENGLAND'S STOVE WORKS IS NOT RESPONSIBLE FOR ANY DAMAGE OR INJURY INCURRED DUE TO NEGLIGENCE, OR DUE TO UNSAFE INSTALLATION OR USAGE OF THIS PRODUCT. CALL TECHNICAL SUPPORT WITH ANY QUESTIONS.

PU-SSHL	Hopper Lid	19
PU-CBAWB	Air Wash Bar	3
PU-SSRP	Rear Panel	Not Shown
AC-CT	Cleaning Tool	Not Shown
PU-CHA	Cartridge Heater (Igniter)	Not Shown

You may write your unit's Manufacture Date and Serial Number in the blank spaces on this sample tag (next page), for future reference.

This sample tag also shows the safety info such as UL/ULC testing standard, etc. for your local officials, or anyone else who may need it for reference information.



Intertek

W/N# 21948

Model 25-CBPAH 55-SHPCBPAH 55-TRPCBPAH
Pellet Fuel Room Heater; Free Standing Model Also For Use In Mobile Homes
Certified to UL 1482 /ASTM E 1509 / ULC S627, ASTM E2779, ASTM E2515, CSA B415.1

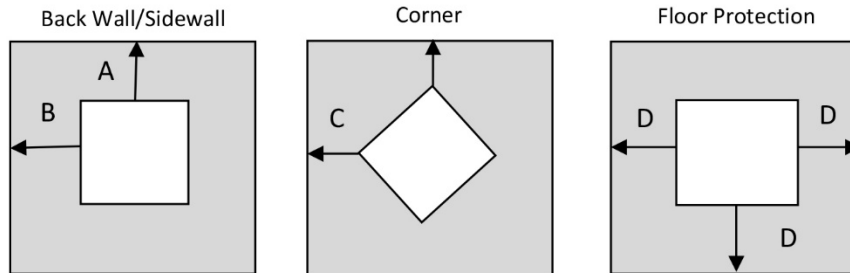
Manufactured by:
England's Stove Works, Inc.
589 S. Five Forks Rd.
Monroe, VA 24574

Manufacture Date	
Serial Number	

PREVENT HOUSE FIRES

- Install and Use Only In Accordance with the Owner's Manual Provided with This Appliance.
- Contact Local Building or Fire Officials about Restrictions and Installation Inspections in Your Area.
- For Use with Wood Pellet Fuel Only, ¼ inch in Diameter.
- Do Not Connect This Unit to a Chimney Flue Serving Another Appliance.
- Keep Viewing and Ash Removal Doors Tightly Closed During Operation.
- Input Rating – 4.4 lbs/hr
- Emission value – 1.47 grams/hr
- U.S. ENVIRONMENTAL PROTECTION AGENCY Certified to comply with 2020 particulate emission standards using pellet fuel.
- U.S. Test Standard: EPA 40 CFR Part 60-2015
- Use only Approved type L or P Pellet Vent Pipe.
- Inspect and Clean Exhaust Venting System Frequently.

FREESTANDING INSTALLATION REQUIREMENTS – Refer to local codes and the chimney manufacturer's instructions for precautions required for passing a chimney through a combustible wall or ceiling. Place on non-combustible floor protection, which extends 6-inches to the front and 6-inches on each side of the fuel opening. See owner's manual for additional clearance information.



A = 0 inches (0 mm) B = 8 inches (203mm)
C = 6 inches (152 mm) D = 6 inches (152mm)

ELECTRICAL RATING: 5.0 A, 115 V, 60 HZ. ROUTE THE POWER CORD SO THAT IT DOES NOT COME INTO CONTACT WITH ANY HOT SURFACES ON THE UNIT AND DOES NOT CROSS IN FRONT OF THE UNIT.

Refer to Intertek's Directory of Building Products (<https://bpdirectory.intertek.com>) for detailed information.

CAUTION – Moving Parts May Cause Injury. Do Not Operate Unit With Panels Removed.

CAUTION – Hot Parts. Do Not Operate Unit with Panels Removed.

DANGER – Risk of Electric Shock. Disconnect Power Before Servicing Unit.

CAUTION – Operate this unit only with the fuel hopper lid closed. Failure to do so may result in emission of products of combustion from the hopper under certain conditions. Maintain hopper seal in good condition. Do not overfill the hopper.

This wood heater needs periodic inspection and repair for proper operation. Consult the owner's manual for further information. It is against federal regulations to operate this wood heater in a manner inconsistent with the operating instructions in the owner's manual.



CAUTION - HOT WHILE IN OPERATION. DO NOT TOUCH. KEEP CHILDREN, CLOTHING, AND FURNITURE AWAY. CONTACT MAY CAUSE SKIN BURNS. SEE NAMEPLATE AND INSTRUCTIONS.

IMPORTANT! READ AND FOLLOW ALL INSTALLATION AND MAINTENANCE INSTRUCTIONS, INCLUDING CLEANING THE UNIT AS SPECIFIED, AND REPLACING GASKETS ANNUALLY, AND PARTS AS NEEDED.
ENGLAND'S STOVE WORKS IS NOT RESPONSIBLE FOR ANY DAMAGE OR INJURY INCURRED DUE TO NEGLIGENCE, OR DUE TO UNSAFE INSTALLATION OR USAGE OF THIS PRODUCT. CALL TECHNICAL SUPPORT WITH ANY QUESTIONS.

LIMITED FIVE (5) YEAR WARRANTY

From the date of purchase to the original owner.

Model Numbers 25-CBPAH / 55-SHPCBPAH / 55-TRPCBPAH

The manufacturer extends the following warranties:

Five Year Period:

1. Carbon steel and welded seams in the firebox are covered for five (5) years against splitting.
2. The steel door and hinges are covered for five (5) years against cracking.

One Year Period:

1. Component parts such as the hopper, auger, burn-pot, auger shaft and fasteners are covered for one (1) year against cracking, breakage and welded seam separation.
2. Electrical components, accessory items, glass and the painted surface of the stove are covered for one (1) year from the date of purchase.

Conditions and Exclusions

1. Damage resulting from over-firing will void your warranty.
2. This warranty does not apply if damage occurs because of an accident, improper handling, improper installation, improper operation, abuse or unauthorized repair made or attempted to be made.
3. The manufacturer is not liable for indirect, incidental, or consequential damages in connection with the product including any cost or expense, providing substitute equipment or service during periods of malfunction or non-use.*
4. All liability for any consequential damage for breach of any written or implied warranty is disclaimed and excluded.
5. This unit is EPA certified using high quality, Premium Grade pellet fuel. Warranty is void if the unit is used to burn materials for which the unit is not certified by the EPA.

Warranty is void if unit is not used according to the owner's manual.

IMPORTANT! READ AND FOLLOW ALL INSTALLATION AND MAINTENANCE INSTRUCTIONS, INCLUDING CLEANING THE UNIT AS SPECIFIED, AND REPLACING GASKETS ANNUALLY, AND PARTS AS NEEDED.
ENGLAND'S STOVE WORKS IS NOT RESPONSIBLE FOR ANY DAMAGE OR INJURY INCURRED DUE TO NEGLIGENCE, OR DUE TO UNSAFE INSTALLATION OR USAGE OF THIS PRODUCT. CALL TECHNICAL SUPPORT WITH ANY QUESTIONS.

*Some states do not allow the exclusion of limitations of incidental or consequential damages, so the above may not apply to you

Procedure

Purchaser must give notice of claim of defect within the warranty period and pay transportation to and from a service center designated by the manufacturer. The dealer from which the unit was purchased or the factory, at our option, will perform the warranty service.

Other Rights

This warranty gives you specific legal rights; you may also have other rights, which may vary from state to state.

England's Stove Works, Inc.
P.O. Box 206
Monroe, VA 24574
(800) 245-6489

To submit a Warranty Claim, call (800) 245-6489 to speak with our Technical Support department. You may also file a Warranty Claim at www.heatredefined.com

For parts, warranty replacement procedures may be found at our parts store site:
hearedefined.com

IMPORTANT! READ AND FOLLOW **ALL** INSTALLATION AND MAINTENANCE INSTRUCTIONS, INCLUDING CLEANING THE UNIT AS SPECIFIED, AND REPLACING GASKETS ANNUALLY, AND PARTS AS NEEDED.
ENGLAND'S STOVE WORKS IS NOT RESPONSIBLE FOR ANY DAMAGE OR INJURY INCURRED DUE TO NEGLIGENCE, OR DUE TO UNSAFE INSTALLATION OR USAGE OF THIS PRODUCT. CALL TECHNICAL SUPPORT WITH ANY QUESTIONS.

Important Notice

This registration information **MUST** be on file for this warranty to be valid. Please send this information within thirty (30) days from the original date of purchase.

Use any of these three easy ways to send your warranty information in!

Mailing Address

England's Stove Works, Inc.
Technical support Department
P.O. Box 206
Monroe, Virginia 24574

Please Note: This warranty is null and void if the attached warranty registration AND a copy of the sales receipt is not returned within thirty (30) days from the date of purchase.

Warranty is not transferable.

Fax Number

(434) 929-4810 – Twenty-four hours a day

Online Registration

To register online, visit our warranty registration website at:

<http://www.heatredefined.com>

IMPORTANT! READ AND FOLLOW ALL INSTALLATION AND MAINTENANCE INSTRUCTIONS, INCLUDING CLEANING THE UNIT AS SPECIFIED, AND REPLACING GASKETS ANNUALLY, AND PARTS AS NEEDED.
ENGLAND'S STOVE WORKS IS NOT RESPONSIBLE FOR ANY DAMAGE OR INJURY INCURRED DUE TO NEGLIGENCE, OR DUE TO UNSAFE INSTALLATION OR USAGE OF THIS PRODUCT. CALL TECHNICAL SUPPORT WITH ANY QUESTIONS.

WARRANTY REGISTRATION for England's Stove Works®

Purchaser Information*

I. Purchased By (Name) _____

II. Address _____

III. City _____ State _____ Zip Code _____

IV. Telephone Number _____

V. Email Address _____

Dealer Information*

VI. Purchased From _____

VII. Address _____

VIII. City _____ State _____ Zip Code _____

Unit Information*

IX. Model Number _____ Purchase Date _____

X. Purchase Price _____

XI. Serial Number _____ Mfg. Date _____

Purchase Questions

How did you first hear about our product? (Please check one)

Word of Mouth _____ Burn Trailer Demonstration _____ Internet _____

Other: _____

Where did you receive information about our product?

Via Telephone _____ Dealer (Name of dealer) _____ Internet _____

Other: _____

*** Required Information**

IMPORTANT! READ AND FOLLOW **ALL** INSTALLATION AND MAINTENANCE INSTRUCTIONS, INCLUDING CLEANING THE UNIT AS SPECIFIED, AND REPLACING GASKETS ANNUALLY, AND PARTS AS NEEDED.
ENGLAND'S STOVE WORKS IS NOT RESPONSIBLE FOR ANY DAMAGE OR INJURY INCURRED DUE TO NEGLIGENCE, OR DUE TO UNSAFE INSTALLATION OR USAGE OF THIS PRODUCT. CALL TECHNICAL SUPPORT WITH ANY QUESTIONS.



GUIDE D'INSTALLATION ET D'UTILISATION

25-CBPAH
55-SHPCBPAH
55-TRPCBPAH

Questions? Besoin de pièces ou
d'options? www.heatredefined.com
Pour un service en Français –
Courriel :
infoenfrancais@englanderstoves.com
Telephone (844) 411-2654



Fabriqué par :
England's Stove Works, Inc.
PO Box 206
Monroe, VA 24574
Rév. 4/2022

www.heatredefined.com
Pièces : 1 800 516-3636
Soutien : 1 800 245-6489

ATTENTION

**VEUILLEZ LIRE L'INTÉGRALITÉ DU PRÉSENT GUIDE AVANT D'INSTALLER ET D'UTILISER CE POÊLE À GRANULES.
GARDEZ TOUT APPAREIL DE CHAUFFAGE HORS DE PORTÉE DES ENFANTS, ET À BONNE DISTANCE DES
MEUBLES ET DES MATIÈRES COMBUSTIBLES.**

AVIS DE SÉCURITÉ

**LE NON-RESPECT DE CES INSTRUCTIONS PEUT CAUSER DES DOMMAGES MATÉRIELS, DES BLESSURES OU
MÊME ENTRAÎNER LA MORT. POUR VOTRE SÉCURITÉ ET VOTRE PROTECTION, SUIVEZ LES INSTRUCTIONS
POUR L'INSTALLATION DÉCRITES DANS LE PRÉSENT GUIDE. CONTACTEZ LES AUTORITÉS LOCALES EN MATIÈRE
DE CONSTRUCTION OU LE SERVICE D'INCENDIE AFIN DE CONNAÎTRE LES RESTRICTIONS ET LES EXIGENCES
D'INSPECTION DES INSTALLATIONS (Y COMPRIS L'OBTENTION DE PERMIS) PROPRES À VOTRE RÉGION.**

**AFIN D'ASSURER LE BON FONCTIONNEMENT DU POÊLE À BOIS, VOUS DEVEZ L'INSPECTER ET LE RÉPARER
PÉRIODIQUEMENT. CONSULTEZ LE GUIDE D'UTILISATION POUR OBTENIR DE PLUS AMPLES
RENSEIGNEMENTS. EN VERTU DES RÈGLEMENTS FÉDÉRAUX, IL EST INTERDIT D'UTILISER CE POÊLE À BOIS
D'UNE MANIÈRE NON CONFORME AU MODE D'EMPLOI INDICÉ DANS LE GUIDE D'UTILISATION.**

CONSERVEZ CES INSTRUCTIONS



IMPORTANT : EN CAS DE PROBLÈME AVEC CET ARTICLE, NE LE RAMENEZ PAS AU DÉTAILLANT. APPELEZ LA LIGNE DE SOUTIEN TECHNIQUE AU 1 800 245-6489.

Avertissement relatif aux modifications :

Ce poêle à bois est doté d'un taux de combustion bas minimum réglé en usine qui ne doit pas être modifié. En vertu des règlements fédéraux, il est interdit de modifier ce réglage et d'utiliser ce poêle à bois d'une manière non conforme au mode d'emploi indiqué dans le présent guide.

Utilisation dans une maison mobile :

L'utilisation de ce poêle autoportant est approuvée pour des maisons mobiles ou pour une installation en double largeur avec raccordement à l'extérieur pour l'air de combustion. Consultez la section « Installation » du présent guide pour connaître les détails relatifs à l'installation dans une maison mobile. L'installation dans des maisons transportables doit être conforme à la norme Manufactured Home and Safety Standard (HUD), CFR 3280, article 24.

AVERTISSEMENT :

L'AIR DE COMBUSTION UTILISÉ PAR CE POÊLE DOIT PROVENIR DE L'EXTÉRIEUR. NE PAS UTILISER CET APPAREIL AVEC LA TRÉMIE OUVERTE; LE COUVERCLE DOIT ÊTRE FERMÉ ET BIEN VERROUILLÉ AU COURS DE L'UTILISATION. ÉVITEZ DE FAIRE SURCHAUFFER CET APPAREIL.

Remarque : England's Stove Works recommande de ne pas utiliser un poêle à granules comme unique source de chaleur.

À conserver dans vos dossiers

Numéro de modèle _____

Date d'achat _____

Date de fabrication _____

Numéro de série _____

IMPORTANT! LISEZ ET SUIVEZ **TOUTES** LES INSTRUCTIONS POUR L'INSTALLATION ET L'ENTRETIEN, NOTAMMENT CELLES PORTANT SUR LE NETTOYAGE DE L'APPAREIL À EFFECTUER SELON LES DIRECTIVES ET CELLES PORTANT SUR LE REMPLACEMENT DES JOINTS (ANNUELLEMENT) ET DES PIÈCES (AU BESOIN). ENGLAND'S STOVE WORKS N'EST PAS RESPONSABLE DES DOMMAGES NI DES BLESSURES, QUELS QU'ILS SOIENT, SUBIS EN RAISON DE NÉGLIGENCE OU À CAUSE D'UNE INSTALLATION OU D'UNE UTILISATION DANGEREUSE DE CE PRODUIT. POUR TOUTE QUESTION, COMMUNIQUEZ AVEC LE

Bienvenue!

Introduction

- Remerciements.....5

Caractéristiques

- Caractéristiques de chauffage.....6
- Dimensions.....6
- Conformité aux normes de l'EPA.....6

Installation

- Vue d'ensemble de l'installation.....7
- Dégagement entre l'appareil et les matières combustibles.....8
- Introduction à la ventilation.....9
- Consignes pour la ventilation.....9
- Renseignements supplémentaires sur la ventilation.....10
- Méthodes de ventilation approuvées
 - À travers le mur.....11
 - À travers le plafond.....12
 - Cheminée existante.....13
- Installation dans une maison mobile.....14
- Dégagements des terminaisons des événements.....15
- Raccordement à l'air extérieur.....16
- Protection du sol.....17

Utilisation quotidienne

- Guide de démarrage.....18
- Allumage d'un feu.....18
- Remarques à propos de l'utilisation quotidienne.....19

Panneau de commande

- Réglages du panneau de commande.....20
- Codes d'erreur.....21
- Panne de courant.....22

Entretien

- Quotidien
 - Remarques importantes.....23
 - Retrait quotidien de la cendre...23
 - Nettoyage du pot de combustion.....24

- Hebdomadaire
 - Retrait du déflecteur.....25
 - Couvercles des orifices de nettoyage.....25
- Mensuel
 - Remarques importantes.....26
 - Nettoyage du tuyau de ventilation.....27
- Annuel
 - Remarques importantes.....28
 - Ventilateur d'évacuation.....29
 - Ventilateur de convection.....29
 - Fines de la trémie.....30
 - Vérification des joints.....30
- Dépannage de base.....31

Remplacement des pièces

- Moteur de la vis à granules.....33
- Ventilateur de convection.....34
- Ventilateur de combustion.....35
- Interrupteur de l'aspirateur.....36
- Allumeur.....37
- Joints.....38
- Vitre.....39
- Panneau de commande.....40
- Schéma de câblage.....41
- Charnières du couvercle de la trémie.....42
- Poignée du couvercle de la trémie.....42
- Panneaux.....43
- Fini.....43

Illustration détaillée des pièces

- Vue éclatée des pièces.....44
- Liste des pièces.....45

Garantie

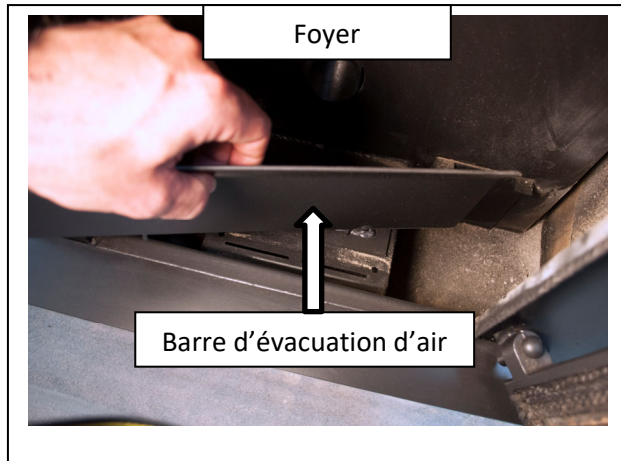
- Exemple d'étiquette.....47
- Détails de la garantie.....48
- Avis important.....50
- Formulaire d'enregistrement de la garantie.....51

IMPORTANT! LISEZ ET SUIVEZ **TOUTES** LES INSTRUCTIONS POUR L'INSTALLATION ET L'ENTRETIEN, NOTAMMENT CELLES PORTANT SUR LE NETTOYAGE DE L'APPAREIL À EFFECTUER SELON LES DIRECTIVES ET CELLES PORTANT SUR LE REMPLACEMENT DES JOINTS (ANNUELLEMENT) ET DES PIÈCES (AU BESOIN). ENGLAND'S STOVE WORKS N'EST PAS RESPONSABLE DES DOMMAGES NI DES BLESSURES, QUELS QU'ILS SOIENT, SUBIS EN RAISON DE NÉGLIGENCE OU À CAUSE D'UNE INSTALLATION OU D'UNE UTILISATION DANGEREUSE DE CE PRODUIT. POUR TOUTE QUESTION, COMMUNIQUEZ AVEC LE

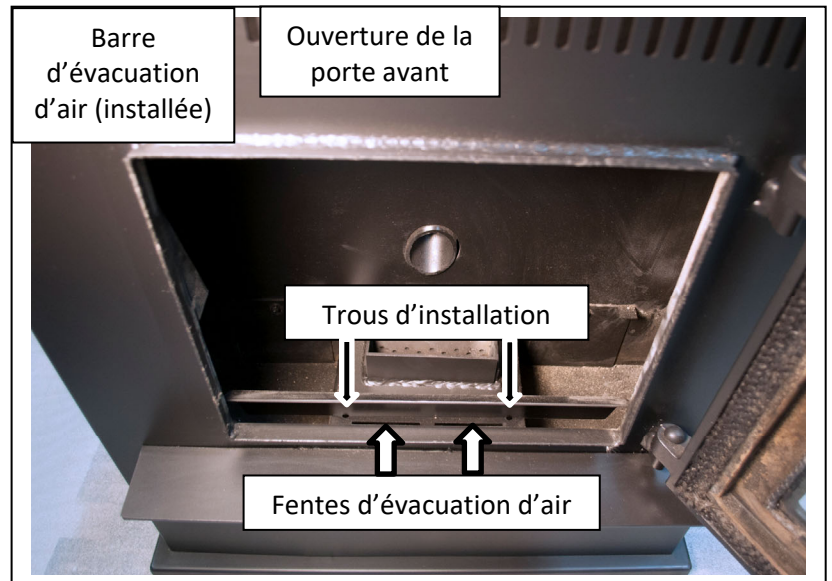
INSTALLATION DE LA BARRE D'ÉVACUATION D'AIR

ATTENTION : La barre d'évacuation d'air peut se détacher lors du transport.

ASSUREZ-VOUS que la barre d'évacuation d'air est bien installée avant chaque utilisation, notamment après que l'article eut été nettoyé ou entretenu.



La partie courbée de la barre d'évacuation d'air devrait être orientée VERS la porte avant



Insérez les languettes de la barre d'évacuation d'air dans les trous et non dans les fentes d'évacuation d'air

La barre d'évacuation d'air devrait s'insérer dans les deux trous d'installation et pencher dans la direction de la paroi avant du poêle.

La partie courbée de la barre devrait être orientée vers la porte avant et non vers le pot de combustion.

INTRODUCTION

Merci d'avoir acheté cet excellent produit d'England's Stove Works. La famille qui a fondé et possède encore England's Stove Works croit fermement que les travaux que l'on réalise soi-même sont les plus satisfaisants. Voilà pourquoi vous avez trouvé ce poêle dans votre magasin de bricolage préféré.

Nous concevons et fabriquons nos poêles expressément pour que n'importe quel propriétaire soit en mesure de les entretenir avec des outils de base. De plus, nous sommes toujours disposés à vous aider à procéder de la façon la plus simple et la plus économique qui soit. Toutefois, bien qu'ils soient de conception simple, nos poêles ont un rendement extrêmement efficace qui permet de produire plus de chaleur avec moins de combustible.

Si vous avez besoin d'aide au sujet de votre poêle, veuillez consulter la vaste section d'aide de notre site Web ou appeler notre service de soutien technique au 1 800 245-6489. Nous sommes presque toujours en mesure de vous guider, que ce soit pour l'installation ou la réparation, ou en cas de problème, ou encore pour répondre à vos questions.

Nous vous souhaitons des années de chauffage agréable, efficace et de qualité.

Toute l'équipe d'England's Stove Works

Veuillez noter : Les renseignements obtenus sur notre site Web ou en appelant la ligne de soutien technique sont gratuits en tout temps; cependant, les réparations ou l'entretien que nous offrons sur place occasionnent des frais.

Le présent guide s'applique à toutes les versions du modèle 25-CBPAH, y compris les versions 55-SHPCBPAH et 55-TRPCBPAH. Par souci de simplicité, le poêle sera désigné par le code 25-CBPAH.

Ce manuel peut être téléchargé gratuitement sur le site Web du fabricant. Il s'agit d'un document protégé par un droit d'auteur et il est strictement interdit de le revendre. Le fabricant peut occasionnellement mettre à jour ce manuel et ne peut être tenu responsable de problèmes, y compris les blessures ou les dommages résultant de l'utilisation de renseignements trouvés dans un manuel provenant de sources non autorisées.

ATTENTION : Le poêle est lourd.

De plus, lorsque vous manipulez des tôles, rappelez-vous qu'il peut y avoir des bords coupants ou des bavures. Bien que nous fassions tous les efforts possibles pour éliminer les bords coupants, veuillez faire preuve de prudence lorsque vous manipulez des pièces de métal.
N'oubliez pas de déconnecter (débrancher) le poêle de la source d'alimentation et de le laisser refroidir complètement avant d'en effectuer l'entretien.

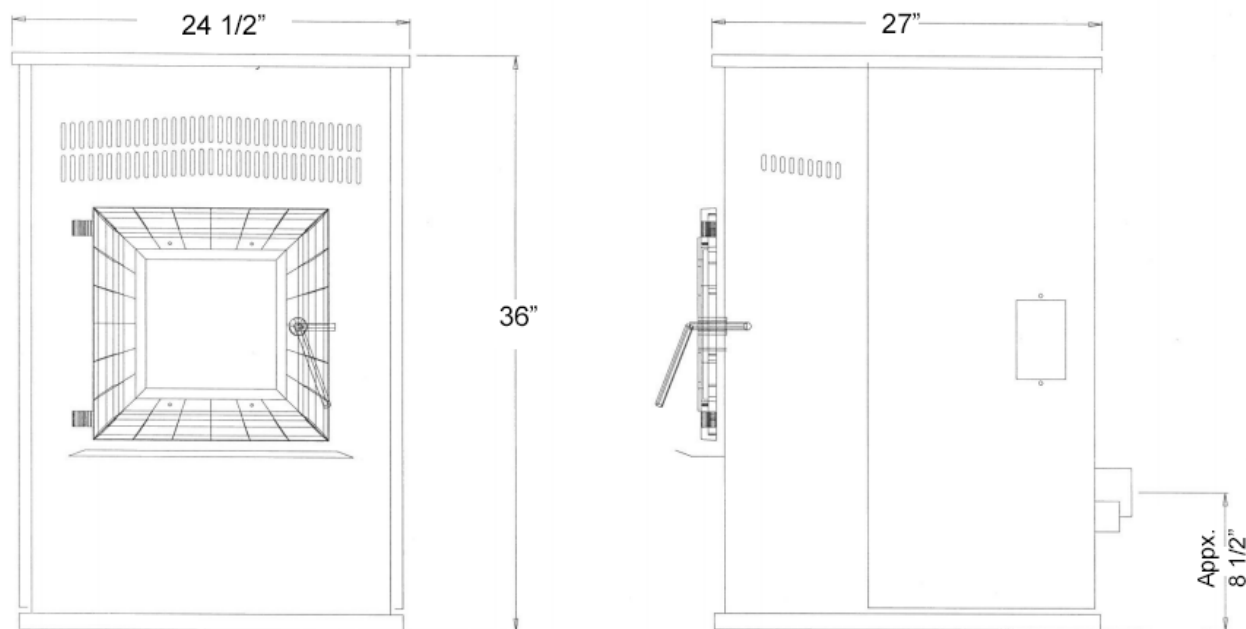
IMPORTANT! LISEZ ET SUIVEZ **TOUTES** LES INSTRUCTIONS POUR L'INSTALLATION ET L'ENTRETIEN, NOTAMMENT CELLES PORTANT SUR LE NETTOYAGE DE L'APPAREIL À EFFECTUER SELON LES DIRECTIVES ET CELLES PORTANT SUR LE REMPLACEMENT DES JOINTS (ANNUUELLEMENT) ET DES PIÈCES (AU BESOIN). ENGLAND'S STOVE WORKS N'EST PAS RESPONSABLE DES DOMMAGES NI DES BLESSURES, QUELS QU'ILS SOIENT, SUBIS EN RAISON DE NÉGLIGENCE OU À CAUSE D'UNE INSTALLATION OU D'UNE UTILISATION DANGEREUSE DE CE PRODUIT. POUR TOUTE QUESTION, COMMUNIQUEZ AVEC LE SERVICE DE SOUTIEN TECHNIQUE.

CARACTÉRISTIQUES

Caractéristiques de chauffage

- Taux approximatif de combustion des granules** ,9 à 2 kg/h (2 à 4,4 lb/h)
- Durée maximale de combustion** 76 heures
- Apport de chaleur**11 098 à 25 122 BTU/h
- Superficie approximative chauffée***jusqu'à 204,38 m²
- Capacité de la trémie.....54,43 kg

Dimensions



Conformité aux normes de sécurité et à celles de l'EPA

- État de conformité aux normes de l'EPA Certifié conforme aux normes de 2020 sur l'émission de particules lors de l'utilisation de granules de bois.
- Norme d'essai des États-Unis : règlement 40 CFR de l'EPA des États-Unis, article 60-2015
- Émissions de particules 1,47 g/h
- Émissions de CO₂ 0,000 g/min
- Efficacité..... 67,6 % (PCS)
- Homologué UL 1482 /ASTM E 1509 / ULC S627, ASTM E2779, ASTM E2515, CSA B415.1

Remarques pour cet appareil : Le produit peut différer légèrement de l'illustration. Les distances indiquées **pour cet appareil** représentent le minimum requis; le dégagement peut être plus important à l'arrière pour assurer une aération adéquate. **Respectez toutes les indications du fabricant concernant les distances minimales ainsi que les règlements municipaux.**

* – Selon les tests de la norme ASTM 2779-10

** – L'apport de chaleur, le taux de combustion et le temps de combustion maximum dépendent grandement du type de granules utilisé, et ces valeurs sont donc sujettes à variation.

*** – La capacité maximale de chauffage de cet appareil peut varier considérablement selon le climat, le type de construction, l'isolation et de nombreux autres facteurs. Combinez les renseignements exposés dans le présent guide aux résultats d'un calcul de déperdition thermique pour votre maison afin de déterminer si cet appareil suffira à combler vos besoins.

IMPORTANT! LISEZ ET SUIVEZ TOUTES LES INSTRUCTIONS POUR L'INSTALLATION ET L'ENTRETIEN, NOTAMMENT CELLES PORTANT SUR LE NETTOYAGE DE L'APPAREIL À EFFECTUER SELON LES DIRECTIVES ET CELLES PORTANT SUR LE REMPLACEMENT DES JOINTS (ANNUUELLEMENT) ET DES PIÈCES (AU BESOIN). ENGLAND'S STOVE WORKS N'EST PAS RESPONSABLE DES DOMMAGES NI DES BLESSURES, QUELS QU'ILS SOIENT, SUBIS EN RAISON DE NÉGLIGENCE OU À CAUSE D'UNE INSTALLATION OU D'UNE UTILISATION DANGEREUSE DE CE PRODUIT. POUR TOUTE QUESTION, COMMUNIQUEZ AVEC LE SERVICE DE SOUTIEN TECHNIQUE.

INSTALLATION

Vue d'ensemble de l'installation

Un grand nombre de facteurs – dont vous devrez tenir compte avant de commencer l'installation – président au choix de l'emplacement de votre nouveau poêle.

1. Habitudes de passage : afin de prévenir les accidents, le poêle doit être installé à un endroit où il n'encombre pas le passage habituel dans la maison.
2. Flux de chaleur et efficacité : tenez compte de la façon dont la chaleur circule dans votre maison pour décider de l'endroit où vous installerez votre poêle. Installez le poêle à l'endroit que vous avez besoin de chauffer. Souvent, une installation en sous-sol ne permet pas qu'assez de chaleur atteigne les étages supérieurs, alors qu'une installation au dernier étage ne permet pas que la chaleur se rende aux étages inférieurs. N'oubliez pas que, tant qu'il est chaud, l'air monte et emprunte le chemin offrant le moins de résistance.
3. Emplacement de l'évacuation : les murs extérieurs sont en général ceux devant lesquels il convient d'installer un poêle, étant donné que l'on peut y installer plus facilement des dispositifs d'évacuation et de prise d'air (à l'aide de l'ensemble DuraVent AC-3000, AC-33000 au Canada). S'il n'est pas possible d'installer le poêle devant un mur extérieur, on peut avoir recours à des méthodes pour l'aérer en passant au travers du toit; cependant, ces méthodes sont généralement plus coûteuses, car elles nécessitent la pose d'un tuyau de ventilation plus long, et elles compliquent souvent l'installation de la prise d'air.
4. Construction des murs : le fait de disposer le poêle entre les montants d'une cloison simplifie l'installation et élimine la nécessité de restructurer le mur pour y poser le coupe-feu mural.

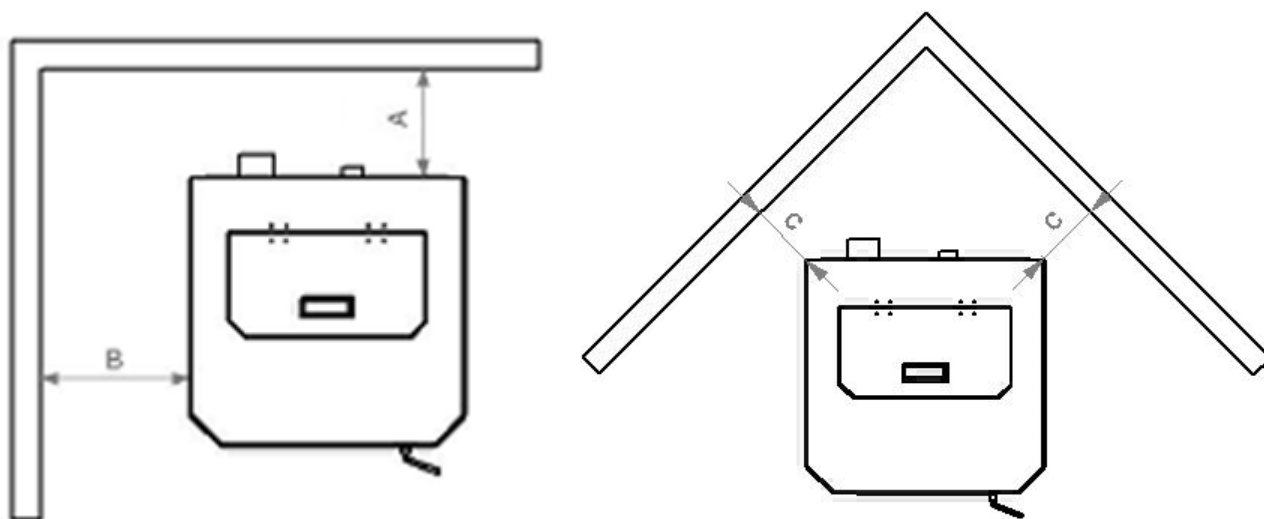
Avertissement

- Ne stockez pas et n'utilisez pas d'essence ni toute autre vapeur ou liquide inflammable à proximité de cet appareil ou de tout autre appareil.
- Évitez l'emballement du poêle. Si des pièces extérieures commencent à rougeoyer, il y a emballement. Réduisez l'alimentation. L'emballement annulera votre garantie.
- Respectez les indications relatives à la distance minimale d'une matière combustible. Le non-respect de ces exigences pourrait provoquer l'incendie de la maison.
- Testé et approuvé pour **des granules de bois uniquement**. L'utilisation de tout autre combustible annulera votre garantie.
- À utiliser uniquement avec des granules de bois de qualité supérieure.

IMPORTANT! LISEZ ET SUIVEZ **TOUTES** LES INSTRUCTIONS POUR L'INSTALLATION ET L'ENTRETIEN, NOTAMMENT CELLES PORTANT SUR LE NETTOYAGE DE L'APPAREIL À EFFECTUER SELON LES DIRECTIVES ET CELLES PORTANT SUR LE REMPLACEMENT DES JOINTS (ANNUELLEMENT) ET DES PIÈCES (AU BESOIN). ENGLAND'S STOVE WORKS N'EST PAS RESPONSABLE DES DOMMAGES NI DES BLESSURES, QUELS QU'ILS SOIENT, SUBIS EN RAISON DE NÉGLIGENCE OU À CAUSE D'UNE INSTALLATION OU D'UNE UTILISATION DANGEREUSE DE CE PRODUIT. POUR TOUTE QUESTION, COMMUNIQUEZ AVEC LE SERVICE DE SOUTIEN TECHNIQUE.

INSTALLATION

Dégagement entre l'appareil et les matières combustibles



De l'appareil au mur arrière (A)	De l'appareil au mur latéral (B)	De l'appareil au coin (C)
0 cm	20,32 cm	15,24 cm
0 mm	203 mm	152 mm

ATTENTION

- Cet appareil peut devenir très CHAUD lorsqu'il est en marche. Gardez les enfants à l'écart.
- Surveillez les enfants qui se trouvent dans la même pièce que cet appareil.
- Prévenez enfants et adultes des risques que représentent les températures élevées.
- N'utilisez PAS l'appareil si les barrières protectrices sont ouvertes ou manquantes.
- Tenez les vêtements, les meubles, les rideaux et les autres matières combustibles à bonne distance.
- L'installation DOIT être conforme aux codes et aux règlements municipaux, régionaux, provinciaux et nationaux.
- Consultez les autorités locales en matière de construction, le service d'incendie ou les organismes de contrôle locaux à propos des restrictions, de l'inspection des installations et de l'obtention de permis.

NE RACCORDEZ L'APPAREIL À AUCUN CONDUIT NI SYSTÈME DE DISTRIBUTION DE L'AIR

IMPORTANT! LISEZ ET SUIVEZ **TOUTES** LES INSTRUCTIONS POUR L'INSTALLATION ET L'ENTRETIEN, NOTAMMENT CELLES PORTANT SUR LE NETTOYAGE DE L'APPAREIL À EFFECTUER SELON LES DIRECTIVES ET CELLES PORTANT SUR LE REMPLACEMENT DES JOINTS (ANNUELLEMENT) ET DES PIÈCES (AU BESOIN). ENGLAND'S STOVE WORKS N'EST PAS RESPONSABLE DES DOMMAGES NI DES BLESSURES, QUELS QU'ILS SOIENT, SUBIS EN RAISON DE NÉGLIGENCE OU À CAUSE D'UNE INSTALLATION OU D'UNE UTILISATION DANGEREUSE DE CE PRODUIT. POUR TOUTE QUESTION, COMMUNIQUEZ AVEC LE SERVICE DE SOUTIEN TECHNIQUE.

INSTALLATION

Introduction à la ventilation

Ce poêle à granules fonctionne avec à un système à tirage négatif qui tire l'air de combustion au travers du pot de combustion et pousse l'air vicié au travers du tuyau de ventilation puis à l'extérieur du bâtiment. Cet appareil doit être installé conformément aux techniques de ventilation décrites ci-après; le non-respect des détails mentionnés pourrait réduire son rendement et causer des dommages matériels, des blessures ou la mort. England's Stove Works n'est pas responsable des dommages causés par une installation incorrecte ou non sécuritaire.

Notre service de soutien technique est joignable au 1 800 245-6489 pour répondre aux questions relatives à l'installation sécuritaire du poêle. Contactez un agent responsable local afin de vous assurer que l'installation est conforme aux exigences municipales et nationales en matière de prévention des incendies; si vous n'êtes pas certain de pouvoir installer le poêle de façon sécuritaire, nous vous suggérons fortement de faire appel à un installateur local certifié par le NFI (National Fireplace Institute aux États-Unis).

Consignes pour la ventilation

- **AVERTISSEMENT : INSTALLEZ L'ÉVENT EN RESPECTANT LES DÉGAGEMENTS INDIQUÉS PAR LE FABRICANT DE L'ÉVENT.**
- Installez **TOUJOURS** le tuyau de ventilation en respectant rigoureusement les instructions et les indications sur le dégagement qui accompagnent le système de ventilation.
- **NE RACCORDEZ PAS** LE POÊLE À GRANULES À UN CONDUIT DE FUMÉE DÉJÀ UTILISÉ POUR UN AUTRE APPAREIL.
- **N'INSTALLEZ PAS** de régulateur de tirage ni aucun autre dispositif de réglage dans le système d'évacuation par ventilation de cet appareil.
- **UTILISEZ** un coupe-feu mural approuvé lorsque le conduit traverse un mur et un support de plafond avec un coupe-feu si le conduit traverse le plafond.
- **UTILISEZ UNIQUEMENT** des tuyaux de type L ou PL de 3 po ou 4 po approuvés pour la ventilation des poêles à granules; **N'UTILISEZ PAS** de tuyaux galvanisés ni de tuyaux de type B.
- **SCELLEZ** chaque joint de l'évent avec de la silicone résistant aux températures élevées (pièce n° AC-RTV3) afin d'éviter que la fumée se répande dans la maison.
- **ÉVITEZ** autant que possible les longs segments horizontaux et les coudes, car ceux-ci réduisent le tirage du système de ventilation, ce qui amoindrit le rendement du poêle.
- **DISPOSEZ** autant que possible le tuyau à la verticale afin d'éviter que la fumée de l'appareil ne pénètre dans votre maison dans le cas d'une coupure d'électricité.
- **INSPECTEZ** souvent le système de ventilation afin de vous assurer qu'il n'est pas engorgé par des cendres volantes ou par quoi que ce soit d'autre.
- **NETTOYEZ** le système de ventilation comme l'indique la section sur l'entretien du présent guide.

AVERTISSEMENT

- **INSTALLEZ L'ÉVENT EN RESPECTANT LES DISTANCES MINIMALES INDIQUÉES PAR SON FABRICANT.**
- **CHAUD! N'y touchez pas! Cela pourrait entraîner de graves brûlures ou l'inflammation des vêtements.**
- **La vitre ainsi que les autres surfaces deviennent chaudes au cours de l'utilisation.**
- **N'essayez pas de toucher ni d'ouvrir les panneaux frontaux ou latéraux au cours de l'utilisation. Vous pourriez subir de graves brûlures ou blessures.**

IMPORTANT! LISEZ ET SUIVEZ **TOUTES** LES INSTRUCTIONS POUR L'INSTALLATION ET L'ENTRETIEN, NOTAMMENT CELLES PORTANT SUR LE NETTOYAGE DE L'APPAREIL À EFFECTUER SELON LES DIRECTIVES ET CELLES PORTANT SUR LE REMPLACEMENT DES JOINTS (ANNUELLEMENT) ET DES PIÈCES (AU BESOIN). ENGLAND'S STOVE WORKS N'EST PAS RESPONSABLE DES DOMMAGES NI DES BLESSURES, QUELS QU'ILS SOIENT, SUBIS EN RAISON DE NÉGLIGENCE OU À CAUSE D'UNE INSTALLATION OU D'UNE UTILISATION DANGEREUSE DE CE PRODUIT. POUR TOUTE QUESTION, COMMUNIQUEZ AVEC LE SERVICE DE SOUTIEN TECHNIQUE.

INSTALLATION

Renseignements supplémentaires sur la ventilation

- Ne mélangez pas et n'associez pas de pièces provenant de différents fabricants lorsque vous installez le système de ventilation (par exemple, n'utilisez **PAS** le tuyau d'un fabricant avec la gaine pour tuyau d'un autre fabricant).
- Il est **nécessaire** que le tuyau soit disposé verticalement sur au moins 91,44 cm pour créer un tirage naturel dans le système. Cela facilitera l'évacuation de la fumée du poêle dans le cas d'une panne d'électricité ou d'une défektivité du ventilateur de combustion.
- Les systèmes de ventilation longs de 4,57 m ou moins devraient être composés intégralement de tuyaux pour poêle à granules de 3 po afin de réduire les pertes attribuables à la friction. Les systèmes plus longs, quant à eux, doivent être composés de tuyaux pour poêle à granules de 4 po.
- Ne faites pas aboutir le système de ventilation directement sous une structure combustible comme un porche ou une terrasse.
- Respectez les normes NFPA 211 énumérées ci-dessous, relatives à l'emplacement de la terminaison des systèmes de ventilation en fonction de l'emplacement des fenêtres et des autres ouvertures d'une résidence.
 - NFPA 211 (version 2006) Section 10.4 Terminaison : 10.4.5
 - (1) L'extrémité de sortie des systèmes mécaniques de tirage autres que les dispositifs de ventilation directe (dispositifs pour des appareils à combustion étanche) doit être située conformément aux indications suivantes :
 - (a) À au moins 0,91 m (3 pi) au-dessus de toute prise d'air par ventilation forcée située dans un rayon de 3,04 m (10 pi).
 - (b) À au moins 1,21 m (4 pi) en dessous, 1,21 m (4 pi) latéralement et 0,3 m (1 pi) au-dessus de toute porte, fenêtre ou prise d'air par gravité d'un bâtiment.
 - (c) À au moins 0,6 m (2 pi) d'un bâtiment voisin et à au moins 2,13 m (7 pi) au-dessus du trottoir lorsqu'elle jouxte la voie publique.
- La hauteur de l'ouverture par rapport au niveau du sol à son aplomb doit être d'au moins 0,6 m (60,96 cm). Lorsque vous mesurez la hauteur de la terminaison, prenez en compte la hauteur habituelle des bancs de neige et la présence d'éléments combustibles comme les tas d'herbes ou de feuilles. Dans les régions où des chutes de neige importantes sont possibles, la hauteur de la terminaison doit être suffisante pour que cette dernière ne soit pas obstruée par les accumulations de neige.
- N'ayez pas recours à des expédients au cours de l'installation et ne disposez aucune des pièces de l'appareil ou du système de ventilation d'une façon qui pourrait produire des effets dangereux.
- Le raccord de cheminée ne doit pas traverser de grenier, de comble, de placard ni d'autres espaces dissimulés similaires, de plancher, ni de plafond.
- Le passage au travers d'un mur ou d'une cloison en matériau combustible doit être réalisé conformément à la norme CAN/CSA-B365.

AVERTISSEMENT :

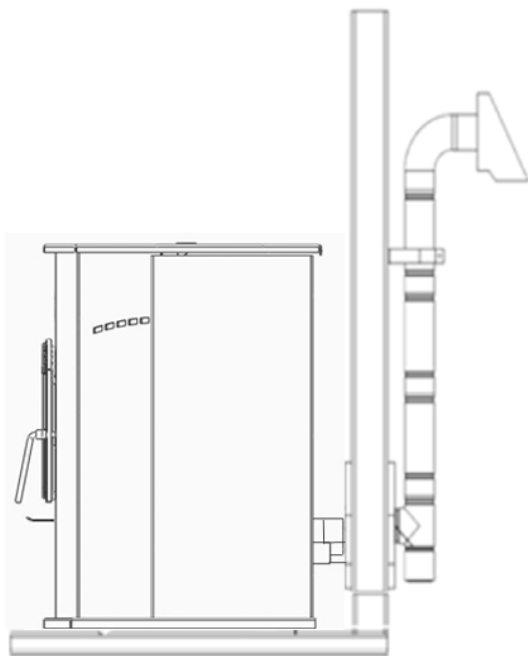
**Les surfaces du système de ventilation deviennent CHAUDES et peuvent causer des brûlures si vous les touchez.
Il peut être nécessaire d'utiliser un revêtement ou des grilles de protection incombustibles.**

IMPORTANT! LISEZ ET SUIVEZ **TOUTES** LES INSTRUCTIONS POUR L'INSTALLATION ET L'ENTRETIEN, NOTAMMENT CELLES PORTANT SUR LE NETTOYAGE DE L'APPAREIL À EFFECTUER SELON LES DIRECTIVES ET CELLES PORTANT SUR LE REMPLACEMENT DES JOINTS (ANNUELLEMENT) ET DES PIÈCES (AU BESOIN). ENGLAND'S STOVE WORKS N'EST PAS RESPONSABLE DES DOMMAGES NI DES BLESSURES, QUELS QU'ILS SOIENT, SUBIS EN RAISON DE NÉGLIGENCE OU À CAUSE D'UNE INSTALLATION OU D'UNE UTILISATION DANGEREUSE DE CE PRODUIT. POUR TOUTE QUESTION, COMMUNIQUEZ AVEC LE SERVICE DE SOUTIEN TECHNIQUE.

INSTALLATION

Méthode de ventilation approuvée 1 : À travers le mur

Pour les installations en altitude (plus haut que 1219,2 m), le tuyau de ventilation doit être de 4 po plutôt que de 3 po.



- Il s'agit en général de la méthode la plus simple. L'installation à travers le mur à l'aide de notre ensemble AC-3000 ou AC-33000 au Canada (ou d'un système de ventilation similaire) est celle que nous préconisons. Cette méthode permet de réduire au minimum la longueur de tuyau disposé horizontalement, de placer le poêle à proximité d'un mur et de laisser le regard du raccord en T à l'extérieur de la maison pour faciliter le nettoyage.
 - Lorsque vous installez un système de ventilation, des tuyaux de **type L** ou de **type PL** doivent être utilisés, et toutes les distances minimales avec des matières combustibles (dont la liste est dressée par le fabricant des tuyaux) doivent être rigoureusement respectées.
 - Utilisez un coupe-feu mural approuvé par le fabricant du tuyau lorsque ce dernier traverse un mur fait de matériaux combustibles, et respectez les distances minimales des combustibles.
- Utilisez une buse à l'endroit où l'évent est raccordé à la bouche d'évacuation du poêle à granules, et fixez cette buse à l'aide de trois vis à tôle.
 - Fixez l'évent à l'extérieur de la maison à l'aide d'une courroie de mur, juste en dessous du coude à 90 degrés.
 - Scellez chaque raccord de tuyau avec de la silicone résistant aux variations de température ainsi qu'aux températures élevées afin de vous assurer que le système est exempt de fuites (consultez les indications du fabricant du système de ventilation avant de procéder à cette opération).
 - Si le tuyau de ventilation utilisé n'est pas doté d'un système de verrouillage par rotation, vous aurez besoin de trois (3) vis à tôle pour chaque joint du tuyau.
 - Raccordez le poêle à granules à l'air de combustion extérieur à l'aide de l'ensemble fourni avec votre poêle, ou en suivant une autre méthode, comme le décrit la section « Raccordement à l'air extérieur », à la page 16.

L'installation peut être adaptée pour les sous-sols (**les installations en sous-sol doivent toujours être effectuées par un installateur professionnel**) ou pour d'autres cas de figure pour lesquels le raccord en T et la partie verticale du tuyau se trouvent à l'intérieur de la maison, et le système de ventilation passe horizontalement au travers du coupe-feu mural avant de s'arrêter.

Veuillez noter :

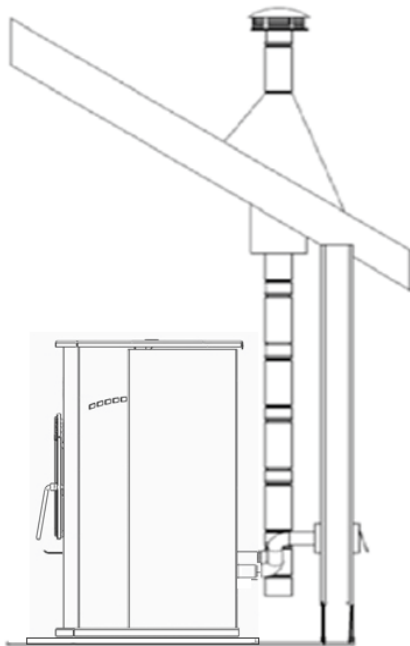
Les schémas d'installation sont fournis à titre de référence uniquement et ne sont pas à l'échelle. Ils ne sont pas destinés à être utilisés comme des plans universels d'installation. Veuillez respecter toutes les exigences relatives au système de ventilation et aux distances minimales avec les matières combustibles, et suivre tous les règlements locaux.

IMPORTANT! LISEZ ET SUIVEZ **TOUTES** LES INSTRUCTIONS POUR L'INSTALLATION ET L'ENTRETIEN, NOTAMMENT CELLES PORTANT SUR LE NETTOYAGE DE L'APPAREIL À EFFECTUER SELON LES DIRECTIVES ET CELLES PORTANT SUR LE REMPLACEMENT DES JOINTS (ANNUELLEMENT) ET DES PIÈCES (AU BESOIN). ENGLAND'S STOVE WORKS N'EST PAS RESPONSABLE DES DOMMAGES NI DES BLESSURES, QUELS QU'ILS SOIENT, SUBIS EN RAISON DE NÉGLIGENCE OU À CAUSE D'UNE INSTALLATION OU D'UNE UTILISATION DANGEREUSE DE CE PRODUIT. POUR TOUTE QUESTION, COMMUNIQUEZ AVEC LE SERVICE DE SOUTIEN TECHNIQUE.

INSTALLATION

Pour les installations en altitude (plus haut que 1219,2 m), le tuyau de ventilation doit être de 4 po plutôt que de 3 po.

Méthode de ventilation approuvée 2 : À travers le plafond



- Il se peut que la ventilation au travers du plafond et du toit soit la seule option envisageable dans certains cas. Ce type d'installation est préconisé pour les usines.
 - Lorsque vous installez un système de ventilation, des tuyaux de **type L** ou de **type PL** doivent être utilisés, et toutes les distances minimales avec des matières combustibles dont la liste est dressée par le fabricant des tuyaux doivent être rigoureusement respectées.
 - Utilisez le support de plafond approuvé par le fabricant du tuyau pour faire passer ce dernier au travers d'un plafond fait de matériaux combustibles. Il en va de même pour les coupe-feu, le coupe-feu radiant, le solin et la mitre.
 - Assurez-vous de bien suivre les indications du fabricant relatives à la hauteur de la terminaison par rapport à la ligne de toiture, et respectez les distances minimales des combustibles.
 - Utilisez une buse à l'endroit où l'évent est raccordé à la bouche d'évacuation du poêle à granules, et fixez cette buse à l'aide de trois vis à tête.
- Scellez chaque raccord de tuyau avec de la silicone résistant aux variations de température ainsi qu'aux températures élevées afin de vous assurer que le système est exempt de fuites (consultez les indications du fabricant du tuyau avant de procéder à cette opération).
 - Si le tuyau de ventilation utilisé n'est pas doté d'un système de verrouillage par rotation, vous aurez besoin de trois (3) vis à tôle pour chaque joint du tuyau.
 - Raccordez le poêle à granules à l'air de combustion extérieur à l'aide de l'ensemble fourni avec votre poêle, ou en suivant une autre méthode, comme le décrit la section « Raccordement à l'air extérieur », à la page 16.
 - Cette méthode de ventilation peut être adaptée de telle sorte que le tuyau de ventilation sorte du poêle et traverse un mur horizontalement, avant de se diriger verticalement vers le toit au-dessus duquel il terminera sa course. Si vous choisissez cette option d'installation, suivez attentivement les instructions fournies par le fabricant du système de ventilation.

Veillez noter :

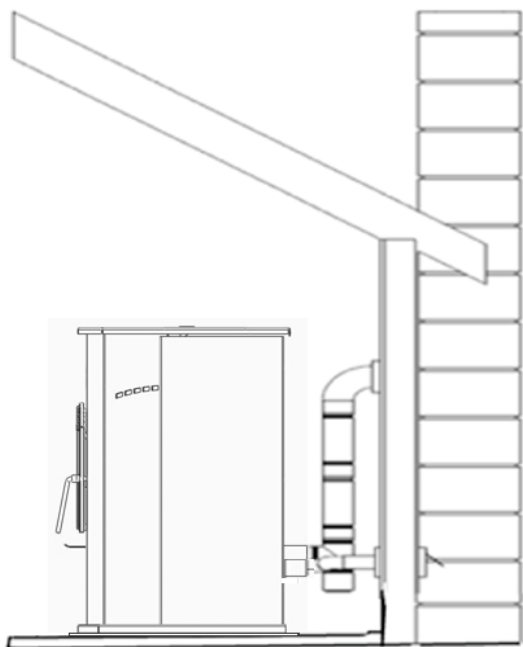
Les schémas d'installation sont fournis à titre de référence uniquement et ne sont pas à l'échelle. Ils ne sont pas destinés à être utilisés comme des plans universels d'installation. Veuillez respecter toutes les exigences relatives au système de ventilation et aux distances minimales avec les matières combustibles, et suivre tous les règlements locaux.

IMPORTANT! LISEZ ET SUIVEZ **TOUTES** LES INSTRUCTIONS POUR L'INSTALLATION ET L'ENTRETIEN, NOTAMMENT CELLES PORTANT SUR LE NETTOYAGE DE L'APPAREIL À EFFECTUER SELON LES DIRECTIVES ET CELLES PORTANT SUR LE REMPLACEMENT DES JOINTS (ANNUELLEMENT) ET DES PIÈCES (AU BESOIN). ENGLAND'S STOVE WORKS N'EST PAS RESPONSABLE DES DOMMAGES NI DES BLESSURES, QUELS QU'ILS SOIENT, SUBIS EN RAISON DE NÉGLIGENCE OU À CAUSE D'UNE INSTALLATION OU D'UNE UTILISATION DANGEREUSE DE CE PRODUIT. POUR TOUTE QUESTION, COMMUNIQUEZ AVEC LE SERVICE DE SOUTIEN TECHNIQUE.

INSTALLATION

Pour les installations en altitude (plus haut que 1219,2 m), le tuyau de ventilation doit être de 4 po plutôt que de 3 po.

Méthode de ventilation approuvée 3 : Système utilisant une cheminée existante



- L'utilisation d'une cheminée existante en maçonnerie ou préfabriquée constitue la seule autre option acceptable pour la ventilation de cet appareil à granules.
- Utilisez des tuyaux de ventilation de **type L** ou de **type PL** jusqu'à l'entrée de la cheminée existante. Utilisez un adaptateur de dimension appropriée pour assurer la transition entre le tuyau de ventilation du poêle et la virole de la cheminée en maçonnerie ou préfabriquée, et assurez-vous que cet adaptateur est bien scellé, tant au système de ventilation du poêle qu'à la cheminée.
- Avant d'utiliser une cheminée existante, assurez-vous que cette dernière est en bon état (une inspection par un ramoneur est fortement suggérée). Assurez-vous également que la cheminée répond aux normes minimales décrites à l'article 211 de la NFPA (un professionnel du domaine peut vous en assurer après inspection).
- Si vous raccordez le poêle à une cheminée préfabriquée, celle-ci doit **IMPÉRATIVEMENT** être conforme à la norme UL103 HT (ULC S629 au Canada) et être dotée d'un conduit

de fumée de 6 po. Un raccord à un autre type de cheminée préfabriquée pourrait avoir des conséquences négatives sur le fonctionnement du poêle et être la cause d'une installation dangereuse.

- Dans le cas d'un raccord à une cheminée en maçonnerie, la section transversale du conduit de fumée doit être prise en compte. Pour les cheminées dont le conduit de fumée a un diamètre supérieur à 6 po (surface de la section de 28.27 po²), il se peut que la pose d'un doublage de cheminée approuvé pour utilisation avec un poêle à granules soit nécessaire.
- Utilisez une buse à l'endroit où l'évent est raccordé à la bouche d'évacuation du poêle à granules, et fixez cette buse à l'aide de trois vis à tôle.
- Scellez chaque raccord de tuyau avec de la silicone résistant aux variations de température ainsi qu'aux températures élevées afin de vous assurer que le système est exempt de fuites (consultez les indications du fabricant du tuyau avant de procéder à cette opération).
- Si le tuyau de ventilation utilisé n'est pas doté d'un système de verrouillage par rotation, vous aurez besoin de trois (3) vis à tôle pour chaque joint du tuyau.
- Raccordez le poêle à granules à l'air de combustion extérieur à l'aide de l'ensemble fourni avec votre poêle, ou en suivant une autre méthode, comme le décrit la section « Raccordement à l'air extérieur », à la page 16.

Veillez noter :

Les schémas d'installation sont fournis à titre de référence uniquement et ne sont pas à l'échelle. Ils ne sont pas destinés à être utilisés comme des plans universels d'installation. Veuillez respecter toutes les exigences relatives au système de ventilation et aux distances minimales avec les matières combustibles, et suivre tous les règlements locaux.

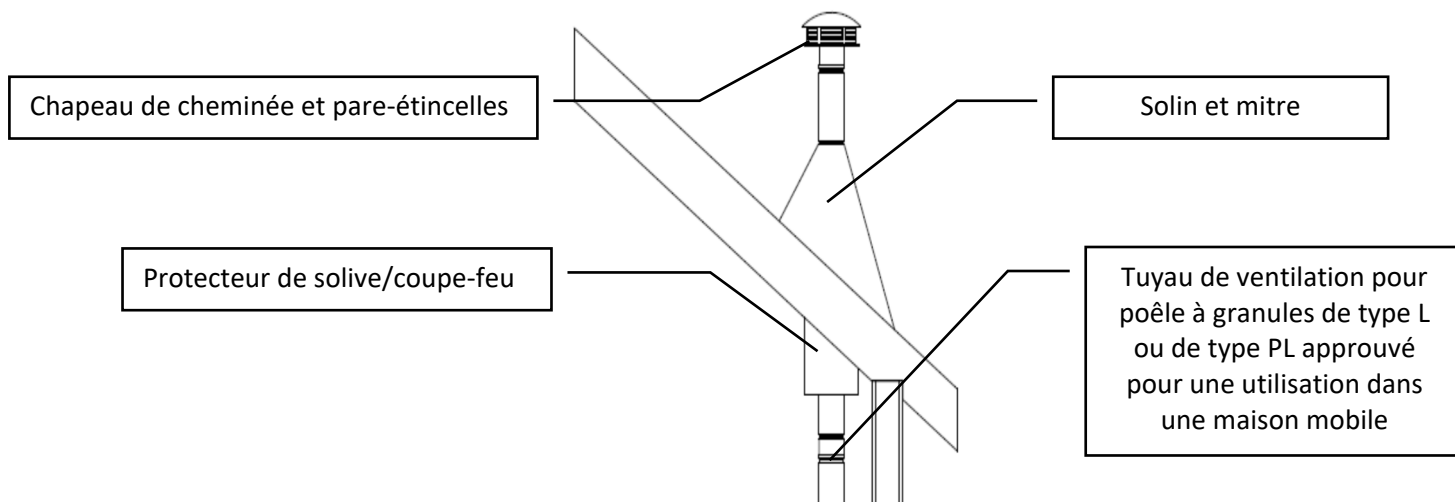
IMPORTANT! LISEZ ET SUIVEZ **TOUTES** LES INSTRUCTIONS POUR L'INSTALLATION ET L'ENTRETIEN, NOTAMMENT CELLES PORTANT SUR LE NETTOYAGE DE L'APPAREIL À EFFECTUER SELON LES DIRECTIVES ET CELLES PORTANT SUR LE REMPLACEMENT DES JOINTS (ANNUELLEMENT) ET DES PIÈCES (AU BESOIN). ENGLAND'S STOVE WORKS N'EST PAS RESPONSABLE DES DOMMAGES NI DES BLESSURES, QUELS QU'ILS SOIENT, SUBIS EN RAISON DE NÉGLIGENCE OU À CAUSE D'UNE INSTALLATION OU D'UNE UTILISATION DANGÉREUSE DE CE PRODUIT. POUR TOUTE QUESTION, COMMUNIQUEZ AVEC LE SERVICE DE SOUTIEN TECHNIQUE.

INSTALLATION

Pour les installations en altitude (plus haut que 1219,2 m), le tuyau de ventilation doit être de 4 po plutôt que de 3 po.

Installation dans une maison mobile

- L'ensemble de raccordement à l'air extérieur fourni par England's Stove Works, Inc. **DOIT** être utilisé pour effectuer une installation de l'appareil dans une maison transportable. Veuillez consulter la section « Raccordement à l'air extérieur » à la page 16 du présent guide pour obtenir davantage de renseignements sur les raccords à l'air extérieur.
- La prise d'air extérieure doit être dégagée des feuilles, de la glace et des autres éléments susceptibles de l'obstruer. Il est primordial de libérer la prise d'air afin d'éviter le manque d'air et la propagation de fumée.
- Le poêle à granules **DOIT** être fixé au sol de la maison transportable à l'aide de tire-fonds disposés dans les trous prévus à cet effet dans la partie inférieure de sa base. Les systèmes de chauffage ventilés à l'air extérieur doivent être fixés à la structure dans laquelle ils se trouvent.
- Le poêle à granules **DOIT** être mis à la terre à l'aide d'un fil de mise à la terre en cuivre massif de calibre 8 AWG ou l'équivalent, dont chaque extrémité est munie d'un dispositif avec mise à la terre approuvé par le code national de l'électricité.
- Respectez scrupuleusement toutes les indications relatives au dégagement mentionnées à la section appropriée du présent guide ET respectez également les exigences du fabricant du système de ventilation en la matière. De plus, assurez-vous que votre système de ventilation est approuvé pour une utilisation dans une maison transportable.
- L'installation doit être conforme à la norme du Manufacturers Home & Safety Standard (HUD) CFR 3280, article 24, ainsi qu'aux règlements locaux.
- Créez un pare-vapeur efficace à l'aide de silicone à l'endroit où la cheminée ou le conduit d'air extérieur traverse le mur de la structure.



ATTENTION

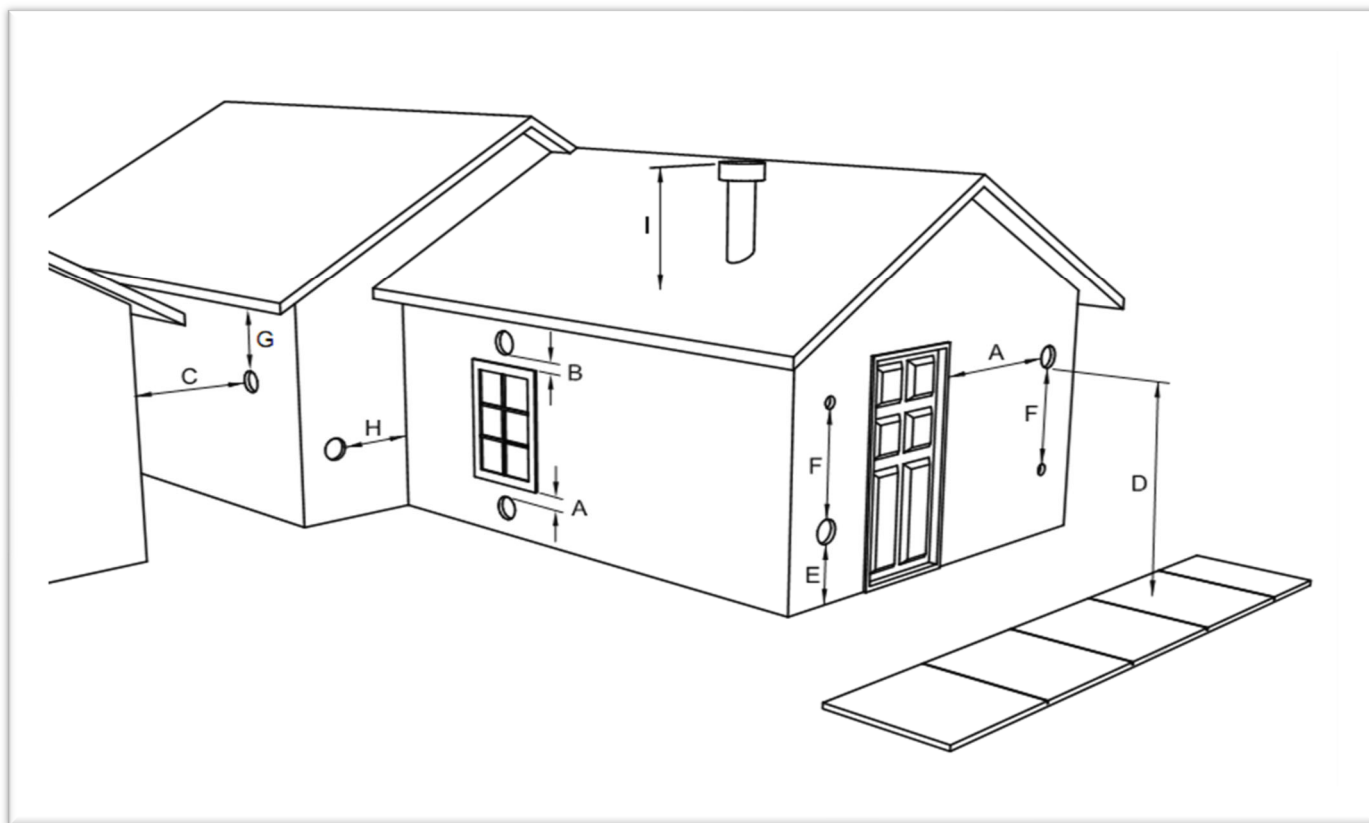
L'INTÉGRITÉ STRUCTURELLE DU PLANCHER, DES MURS, DU PLAFOND ET DU TOIT DE LA MAISON PRÉFABRIQUÉE DOIT ÊTRE PRÉSERVÉE. NE COUPEZ PAS LES SOLIVES DE PLANCHER, LES MONTANTS DE CLOISON, LES FERMES NI AUCUN AUTRE ÉLÉMENT PORTEUR DONT L'ALTÉRATION POURRAIT ENDOMMAGER L'INTÉGRITÉ STRUCTURELLE DE LA MAISON.

AVERTISSEMENT : N'INSTALLEZ PAS L'APPAREIL DANS UNE CHAMBRE À COUCHER.

IMPORTANT! LISEZ ET SUIVEZ **TOUTES** LES INSTRUCTIONS POUR L'INSTALLATION ET L'ENTRETIEN, NOTAMMENT CELLES PORTANT SUR LE NETTOYAGE DE L'APPAREIL À EFFECTUER SELON LES DIRECTIVES ET CELLES PORTANT SUR LE REMPLACEMENT DES JOINTS (ANNUELLEMENT) ET DES PIÈCES (AU BESOIN). ENGLAND'S STOVE WORKS N'EST PAS RESPONSABLE DES DOMMAGES NI DES BLESSURES, QUELS QU'ILS SOIENT, SUBIS EN RAISON DE NÉGLIGENCE OU À CAUSE D'UNE INSTALLATION OU D'UNE UTILISATION DANGEREUSE DE CE PRODUIT. POUR TOUTE QUESTION, COMMUNIQUEZ AVEC LE SERVICE DE SOUTIEN TECHNIQUE.

DÉGAGEMENTS DES TERMINAISONS DES ÉVÉNEMENTS

- A) Dégagement d'au moins 1,21 m en dessous ou sur le côté de toute porte ou fenêtre pouvant s'ouvrir.
- B) Dégagement d'au moins 0,3 m au-dessus de toute porte ou fenêtre pouvant s'ouvrir.
- C) Dégagement d'au moins 0,6 m de tout bâtiment voisin.
- D) Dégagement d'au moins 2,13 m à partir du niveau du sol lorsque l'installation jouxte la voie publique.
- E) Dégagement d'au moins 0,6 m au-dessus des herbes, des plantes et de tout autre matériau combustible.
- F) Dégagement d'au moins 0,91 m de la prise d'air par ventilation forcée d'un appareil, quel qu'il soit.
- G) Dégagement d'au moins 0,6 m en dessous des avant-toits ou des saillies.
- H) Dégagement d'au moins 0,3 m des murs fait de matériaux combustibles.
- I) La sortie d'évacuation d'un système de ventilation comportant des aspirateurs mécaniques doit dépasser d'au moins 30,48 cm (12 po) la zone où ce système de ventilation traverse le toit.



Remarques sur la terminaison du tuyau de ventilation pour poêle à granules tirées de la norme NFPA 211 (version 2006)

Section 10.4 Terminaison : 10.4.5

(Reportez-vous également à la section « INSTALLATION » du présent guide ET aux remarques supplémentaires ci-dessus) :

- Au moins à 0,91 m au-dessus de toute prise d'air par ventilation forcée située dans un rayon de 3,04 m.
- Au moins à 1,21 m en dessous, 1,21 m latéralement et 0,3 m au-dessus de toute porte, fenêtre ou prise d'air par gravité d'un bâtiment.
- Au moins à 0,6 m d'un bâtiment adjacent et au moins à 2,13 m au-dessus du sol si elle jouxte la voie publique.

La sortie d'air doit être disposée de façon à ce que le flux des gaz de combustion n'affecte pas les gens, ne surchauffe pas les structures combustibles et ne s'infilte pas dans les bâtiments. Les systèmes de tirage forcé et toutes les pièces des systèmes de tirage par aspiration sous pression positive pendant l'utilisation doivent être installés de façon hermétique pour prévenir toute fuite de produits de combustion dans un bâtiment. Les sorties d'évacuation qui passent à travers le mur ne doivent pas terminer près de la voie publique ou à un endroit où la condensation ou la vapeur pourrait représenter une nuisance ou un danger.

Assurez-vous de respecter les règlements locaux et toutes les instructions du fabricant des produits utilisés (y compris le tuyau d'évacuation). Si vous avez des questions, consultez un installateur professionnel ou communiquez avec le service de soutien technique.

RACCORDEMENT À L'AIR EXTÉRIEUR

- L'air de combustion utilisé par ce poêle **doit** provenir de l'extérieur.
- Le tuyau de raccordement à l'air extérieur dépasse de la partie inférieure centrale de l'arrière du poêle. Utilisez l'ensemble de raccordement qui accompagne votre poêle pour raccorder celui-ci à l'air extérieur. Les instructions ainsi que toutes les pièces nécessaires au raccordement de votre poêle à granules à l'air extérieur sont incluses dans l'ensemble de raccordement à l'air extérieur.
- S'il ne vous est pas possible d'utiliser l'ensemble de raccordement à l'air extérieur, vous pouvez utiliser d'autres pièces à condition de respecter ce qui suit :
 - Le tuyau utilisé pour le raccordement à l'air extérieur doit être en métal d'une épaisseur d'au moins 0,0209 po (acier doux de calibre 25) et son diamètre intérieur doit être d'approximativement 2 po.
 - Tous les joints et raccords du tuyau doivent être scellés à l'aide de colliers de serrage ou d'un autre moyen mécanique, afin que le raccordement à l'air extérieur ne présente pas de fuites.
 - Il est déconseillé d'utiliser une trop grande longueur de tuyau et d'y former un nombre excessif de coudes. En raison de la résistance au frottement dans le tuyau, le rendement du poêle sera réduit si le tuyau de raccordement à l'air extérieur est trop long.
 - Une grille ou un autre dispositif de protection doit être placé à l'extrémité du tuyau de raccordement à l'air extérieur, afin d'éviter que la pluie, des débris ou des animaux nuisibles ne pénètrent dans la tuyauterie.
 - Utilisez un tuyau d'un diamètre de 3 po si la longueur du raccordement à l'air extérieur est de plus de 1,82 m, si le raccordement présente plus de deux (2) coudes ou si le poêle est installé dans un sous-sol.
- Le raccordement à l'air extérieur doit faire l'objet d'au moins une inspection annuelle afin de s'assurer qu'il n'est pas obstrué.

Attention

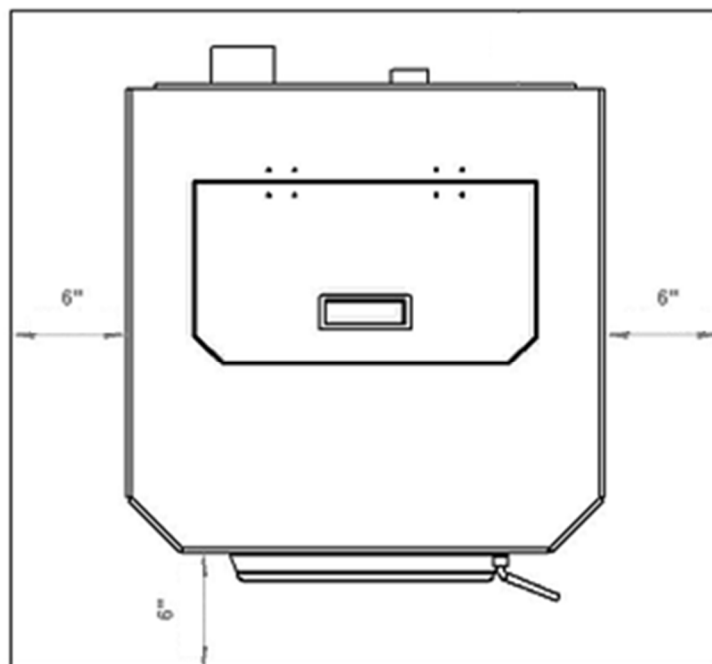
NE CAPTEZ JAMAIS l'air extérieur de combustion dans :

1. La cavité d'un mur, d'un plancher ou d'un plafond.
2. Un espace clos tel qu'un grenier, un garage ou un vide sanitaire.

IMPORTANT! LISEZ ET SUIVEZ **TOUTES** LES INSTRUCTIONS POUR L'INSTALLATION ET L'ENTRETIEN, NOTAMMENT CELLES PORTANT SUR LE NETTOYAGE DE L'APPAREIL À EFFECTUER SELON LES DIRECTIVES ET CELLES PORTANT SUR LE REMPLACEMENT DES JOINTS (ANNUELLEMENT) ET DES PIÈCES (AU BESOIN). ENGLAND'S STOVE WORKS N'EST PAS RESPONSABLE DES DOMMAGES NI DES BLESSURES, QUELS QU'ILS SOIENT, SUBIS EN RAISON DE NÉGLIGENCE OU À CAUSE D'UNE INSTALLATION OU D'UNE UTILISATION DANGEREUSE DE CE PRODUIT. POUR TOUTE QUESTION, COMMUNIQUEZ AVEC LE SERVICE DE SOUTIEN TECHNIQUE.

PROTECTION DU SOL

- Dans le cas où le poêle à granules est installé sur un plancher combustible, son utilisation nécessite la pose d'un protecteur de plancher incombustible. Si le plancher sur lequel le poêle doit être installé est déjà incombustible (par exemple, le plancher en béton d'un sous-sol) et possède une valeur d'isolation thermique « R » au moins égale à 0,2, aucun protecteur de plancher n'est requis (vous pouvez toutefois installer un protecteur de plancher décoratif).
- Vous pouvez acheter un protecteur de plancher préfabriqué homologué UL (ULC au Canada) ou équivalent, ou encore fabriquer un protecteur de plancher à partir de matériaux standards : deux panneaux de ciment d'une épaisseur de 12,7 mm recouverts de carreaux en céramique constituent par exemple un protecteur de plancher adéquat, dont la valeur d'isolation thermique « R » est au moins égale à 0,2.
- Gardez à l'esprit que le poêle est non seulement lourd, mais qu'il impose également des écarts de température au protecteur de plancher, écarts qui peuvent endommager les carreaux, et détacher le mortier et les joints. Un tapis pour foyer n'est **PAS** approuvé pour remplacer un protecteur de plancher.
- **Pour les États-Unis et le Canada** : le protecteur de plancher doit dépasser d'au moins 15,24 cm (6 po) à l'avant et sur les côtés.
- **Au Canada**, le protecteur de plancher incombustible doit être également disposé sous tout tuyau de ventilation horizontal et dépasser de 5,08 cm (2 po) sur chacun des côtés **ET** être placé directement sous tout tuyau de ventilation vertical.



IMPORTANT! LISEZ ET SUIVEZ **TOUTES** LES INSTRUCTIONS POUR L'INSTALLATION ET L'ENTRETIEN, NOTAMMENT CELLES PORTANT SUR LE NETTOYAGE DE L'APPAREIL À EFFECTUER SELON LES DIRECTIVES ET CELLES PORTANT SUR LE REMPLACEMENT DES JOINTS (ANNUELLEMENT) ET DES PIÈCES (AU BESOIN). ENGLAND'S STOVE WORKS N'EST PAS RESPONSABLE DES DOMMAGES NI DES BLESSURES, QUELS QU'ILS SOIENT, SUBIS EN RAISON DE NÉGLIGENCE OU À CAUSE D'UNE INSTALLATION OU D'UNE UTILISATION DANGEREUSE DE CE PRODUIT. POUR TOUTE QUESTION, COMMUNIQUEZ AVEC LE SERVICE DE SOUTIEN TECHNIQUE.

UTILISATION QUOTIDIENNE

Guide de démarrage

- Vérifiez que la trémie est propre et ne contient pas de corps étrangers. Assurez-vous de brancher cet appareil à une prise fonctionnelle; nous vous suggérons d'utiliser un parasurtenseur afin de protéger ses composants électriques.
- **AVANT** de faire le premier feu, faites fonctionner l'appareil à vide (sans mettre de granules dans la trémie) pendant vingt minutes; pour cela, appuyez sur le bouton « ON » (marche) après avoir branché l'appareil.
 - Tout de suite après avoir appuyé sur le bouton « ON » (marche), vous devriez entendre le ventilateur d'évacuation démarrer, puis fonctionner de façon continue.
 - Après que trois à cinq minutes se sont écoulées, cherchez à voir le rougeoiement de l'allumeur dans le pot de combustion, afin de vous assurer qu'il fonctionne correctement.
 - Abaissez manuellement l'interrupteur du couvercle de la trémie (voir le « Schéma des pièces » à la page 44) et vérifiez que la vis à granules tourne bien. Relâchez l'interrupteur du couvercle de la trémie et assurez-vous que la vis à granules arrête de tourner. **NE METTEZ PAS VOS DOIGTS DANS LA TRÉMIE ET NE LES APPROCHEZ PAS DE LA VIS À GRANULES LORSQUE CELLE-CI EST EN ROTATION.**
- Après environ vingt minutes, les deux écrans d'affichage du panneau de commande devraient afficher « E-2 » (vous trouverez de plus amples informations sur les codes d'erreur dans la section qui traite de ce sujet dans le présent guide).
- La marche à vide est alors terminée et votre appareil de chauffage à granules est prêt à fonctionner normalement.

Allumage d'un feu

- Vous devez remplir la trémie de granules de bois afin de faire fonctionner le poêle. Soulevez le couvercle de la trémie à l'aide de la poignée encastrée et versez les granules de bois dans la trémie.
 - ❖ Nous recommandons de n'utiliser que des granules fabriquées dans des installations approuvées par le PFI (Pellet Fuel Institute). Les granules portant le sceau d'approbation du PFI ont de faibles taux de cendres et d'humidité, une grande valeur calorifique, et leur qualité et leur taille sont uniformes.
- Ce poêle aura un aussi bon rendement avec des granules de bois de résineux qu'avec des granules de bois de feuillus et, bien que la cendre puisse avoir un aspect ou une texture légèrement différents, les deux types de granules brûleront proprement et efficacement.
- Ce poêle à granules est doté d'un système d'allumage automatique. L'utilisateur n'a qu'à appuyer sur le bouton « On » (marche) pour allumer le poêle.
- Un court moment après que vous avez appuyé sur le bouton « On » (marche), les lettres « **S U** » s'affichent sur les écrans de la plage de chaleur et de la vitesse du ventilateur, sur le panneau de commande. Cela indique que le poêle a commencé sa séquence de démarrage et qu'il fonctionne correctement.
- Le rythme de l'alimentation en granules et la quantité d'air de combustion utilisée au cours du démarrage sont déterminés à l'aide du panneau de commande. Le poêle peut ainsi être réglé sur n'importe quelle plage de chaleur au démarrage.
- Après une quinzaine de minutes, le feu devrait brûler intensément et l'indication « **S U** » devrait disparaître du panneau de commande. Le poêle fonctionne alors normalement, et les écrans d'affichage du panneau de commande restent éteints à moins que vous ne régliez la plage de chaleur ou la vitesse du ventilateur.
- Il est normal que l'appareil émette de la fumée lors du premier feu, étant donné que les peintures et les huiles finissent de sécher. Cette fumée devrait se dissiper au cours de la première heure d'utilisation. Ouvrez une porte ou une fenêtre au cours du premier feu, afin d'aérer la pièce.

IMPORTANT! LISEZ ET SUIVEZ **TOUTES** LES INSTRUCTIONS POUR L'INSTALLATION ET L'ENTRETIEN, NOTAMMENT CELLES PORTANT SUR LE NETTOYAGE DE L'APPAREIL À EFFECTUER SELON LES DIRECTIVES ET CELLES PORTANT SUR LE REMPLACEMENT DES JOINTS (ANNUELLEMENT) ET DES PIÈCES (AU BESOIN). ENGLAND'S STOVE WORKS N'EST PAS RESPONSABLE DES DOMMAGES NI DES BLESSURES, QUELS QU'ILS SOIENT, SUBIS EN RAISON DE NÉGLIGENCE OU À CAUSE D'UNE INSTALLATION OU D'UNE UTILISATION DANGEREUSE DE CE PRODUIT. POUR TOUTE QUESTION, COMMUNIQUEZ AVEC LE SERVICE DE SOUTIEN TECHNIQUE.

Remarques à propos de l'utilisation quotidienne

- Seules des granules de bois de qualité supérieure, d'un diamètre de 6,35 mm, doivent être utilisées dans ce poêle. L'utilisation de granules de moindre qualité contenant une grande quantité de cendres OU de granules dont le taux d'humidité est élevé peut provoquer un engorgement plus rapide du pot de combustion par les cendres et peut nécessiter que l'entretien périodique soit considérablement plus fréquent. Veuillez consulter la section « Entretien » du présent guide afin de mieux comprendre en quoi le choix du combustible a une incidence sur le fonctionnement, l'entretien et le nettoyage du poêle.
- Il est normal de constater des fluctuations dans la hauteur de la flamme. En effet, les granules de bois n'ont pas tous la même taille, ce qui peut avoir une incidence sur l'alimentation du pot de combustion. L'intensité de la flamme peut varier sans que cela provoque une perte de rendement.
- Conservez toujours les granules de bois dans un endroit sec afin qu'ils conservent leur forme et que leur taux d'humidité reste bas. Assurez-vous également que la totalité des granules de bois est conservée à une distance sécuritaire du poêle. Sinon, un incendie pourrait se déclarer. **N'installez pas et n'utilisez pas cet appareil à l'extérieur, dans une serre ou dans un endroit très humide.**
- Ce poêle à granules est muni d'un pot de combustion spécialement conçu qui a été installé en usine. Ce pot de combustion élève les granules qui se consomment et dirige l'air précisément à l'endroit requis. Les granules ne doivent être brûlés que dans ce pot de combustion, qui ne doit subir aucune modification. De plus, aucune grille ni aucun rehausseur de feu ne doit être utilisé.

ATTENTION

N'UTILISEZ JAMAIS D'ESSENCE, DE COMBUSTIBLE POUR LAMPE APPARENTÉ À L'ESSENCE, DE KÉROSÈNE, DE LIQUIDE D'ALLUMAGE POUR CHARBON, NI AUCUN LIQUIDE SIMILAIRE POUR ALLUMER OU RAVIVER UN FEU DANS CE SYSTÈME DE CHAUFFAGE. CONSERVEZ DE TELS LIQUIDES À BONNE DISTANCE DU POÊLE LORSQUE CELUI-CI FONCTIONNE. DE PLUS, NE DISPOSEZ JAMAIS D'ALLUME-FEUX SUR UNE SURFACE CHAUDE NI SUR DES TISONS DANS LE POÊLE. N'UTILISEZ PAS DE PRODUITS CHIMIQUES NI DE FLUIDES POUR ALLUMER LE FEU.

NE FAITES PAS BRÛLER DE LIQUIDES INFLAMMABLES COMME DE L'ESSENCE, DU NAPHTA OU DE L'HUILE POUR MOTEUR. NE FAITES PAS BRÛLER DES DÉCHETS, DU GAZON COUPÉ OU DES RÉSIDUS DE JARDINAGE, DES MATÉRIAUX CONTENANT DU CAOUTCHOUC, Y COMPRIS DES PNEUS, DES MATÉRIAUX CONTENANT DU PLASTIQUE, DES DÉCHETS DE PRODUITS PÉTROLIERS, DE LA PEINTURE OU DU DILUANT À PEINTURE, DES PRODUITS BITUMINEUX, DES MATÉRIAUX CONTENANT DE L'AMIANTE, DES DÉBLAIS OU DES DÉBRIS DE CONSTRUCTION, DES TRAVERSES DE CHEMIN DE FER OU DU BOIS TRAITÉ SOUS PRESSON, DU FUMIER OU DES RESTES D'ANIMAUX, DES PRODUITS DE PAPIER, DU CARTON, DU CONTREPLAQUÉ OU DES PANNEAUX DE PARTICULES. L'INTERDICTION DE BRÛLER CES MATÉRIAUX NE VOUS EMPÊCHE PAS D'UTILISER DES ALLUME-FEU À BASE DE PAPIER, DE CARTON, DE SCIURE, DE CIRE OU D'AUTRES SUBSTANCES SEMBLABLES POUR ALLUMER UN FEU DANS LE POÊLE À BOIS. LA COMBUSTION DE CES MATÉRIAUX PEUT COMPROMETTRE L'EFFICACITÉ DU POÊLE ET PRODUIRE DE LA FUMÉE ET DES VAPEURS TOXIQUES.

IMPORTANT! LISEZ ET SUIVEZ **TOUTES** LES INSTRUCTIONS POUR L'INSTALLATION ET L'ENTRETIEN, NOTAMMENT CELLES PORTANT SUR LE NETTOYAGE DE L'APPAREIL À EFFECTUER SELON LES DIRECTIVES ET CELLES PORTANT SUR LE REMPLACEMENT DES JOINTS (ANNUELLEMENT) ET DES PIÈCES (AU BESOIN). ENGLAND'S STOVE WORKS N'EST PAS RESPONSABLE DES DOMMAGES NI DES BLESSURES, QUELS QU'ILS SOIENT, SUBIS EN RAISON DE NÉGLIGENCE OU À CAUSE D'UNE INSTALLATION OU D'UNE UTILISATION DANGEREUSE DE CE PRODUIT. POUR TOUTE QUESTION, COMMUNIQUEZ AVEC LE SERVICE DE SOUTIEN TECHNIQUE.

RÉGLAGES DU PANNEAU DE COMMANDE

Le panneau de commande de ce poêle vous permet de régler l'émission de chaleur et la vitesse du ventilateur de convection, d'allumer et d'éteindre l'appareil, et de tester le bon fonctionnement des composants (de plus amples informations sur le mode de diagnostic vont suivre).

- Les boutons au bas du panneau de commande (alimentation faible, air de combustion faible, température de l'air entrant) ne doivent pas être utilisés au cours du fonctionnement normal de l'appareil. Ces boutons sont pré-réglés en usine et ne doivent pas être réglés par les utilisateurs.
- Appuyez sur le bouton « On » (marche) pour mettre l'appareil sous tension et allumer un feu. Le voyant lumineux à DEL situé au-dessus du bouton doit devenir vert et l'indication « S U » doit s'afficher sur le panneau de commande peu de temps après.
- Appuyez sur le bouton « Off » (arrêt) pour éteindre l'appareil. Le voyant lumineux situé au-dessus du bouton doit devenir rouge et l'indication « S d » doit s'afficher sur le panneau de commande peu de temps après. La séquence d'arrêt de l'appareil débute alors, et ce dernier reste en mode d'arrêt jusqu'à ce qu'il ait refroidi.
- Pour accroître l'apport de chaleur provenant du poêle, appuyez sur la flèche orientée vers le haut qui est associée à la plage de chaleur. La valeur affichée sur l'écran de la plage de chaleur augmente alors, ce qui signifie que le panneau de commande règle l'apport de chaleur en fonction de votre préférence. La vitesse du ventilateur augmente proportionnellement à la température. Le poêle est conçu pour que la valeur associée à la vitesse de ventilation soit toujours plus élevée ou égale à celle associée à la plage de température. La flèche vers le bas permet de diminuer la température ainsi que la vitesse du ventilateur.
- Appuyez sur la flèche orientée vers le haut qui est associée à la vitesse du ventilateur pour augmenter celle-ci sans augmenter la température. Appuyez jusqu'à ce que la valeur souhaitée s'affiche à l'écran. En appuyant sur la flèche orientée vers le bas, vous diminuerez la vitesse du ventilateur, sans toutefois que la valeur associée à celle-ci puisse devenir inférieure à celle qui est associée à la plage de chaleur.

Attention

Cet appareil est conçu pour fonctionner uniquement lorsque la porte principale est fermée. L'utilisation du poêle avec la porte ouverte provoquerait un refoulement de fumée et une combustion lente et inefficace.

De plus, l'utilisation de combustibles autres que les granules de bois peut être dangereuse et produire un excès de monoxyde de carbone. Le monoxyde de carbone est un gaz mortel qui est inodore et incolore.

Utilisez SEULEMENT des granules de bois dans le poêle.

Détecteur de monoxyde de carbone

England's Stove Works, Inc. recommande fortement l'utilisation d'un détecteur de monoxyde de carbone à proximité du poêle et à tous les étages de la maison.

Une certaine quantité de monoxyde de carbone est créée dans le poêle comme sous-produit de combustion. Tous les raccords du tuyau d'évacuation doivent être scellés avec de la silicone résistant aux variations de température afin d'obtenir un joint étanche. Toute fuite dans un espace clos causée par une mauvaise installation ou une mauvaise utilisation du poêle peut provoquer des étourdissements, des nausées et, dans les cas extrêmes, la mort. La concentration de monoxyde de carbone pendant l'essai était de 0,013 g/min.

IMPORTANT! LISEZ ET SUIVEZ TOUTES LES INSTRUCTIONS POUR L'INSTALLATION ET L'ENTRETIEN, NOTAMMENT CELLES PORTANT SUR LE NETTOYAGE DE L'APPAREIL À EFFECTUER SELON LES DIRECTIVES ET CELLES PORTANT SUR LE REMPLACEMENT DES JOINTS (ANNUELLEMENT) ET DES PIÈCES (AU BESOIN). ENGLAND'S STOVE WORKS N'EST PAS RESPONSABLE DES DOMMAGES NI DES BLESSURES, QUELS QU'ILS SOIENT, SUBIS EN RAISON DE NÉGLIGENCE OU À CAUSE D'UNE INSTALLATION OU D'UNE UTILISATION DANGEREUSE DE CE PRODUIT. POUR TOUTE QUESTION, COMMUNIQUEZ AVEC LE SERVICE DE SOUTIEN TECHNIQUE.

CODES D'ERREUR

Les codes d'erreur ou « E-Codes » sont des codes alphanumériques qui s'affichent sur les écrans d'affichage associés à la plage de chaleur et à la vitesse du ventilateur sur le panneau de commande lorsque l'appareil ne fonctionne pas normalement. Ces codes préviennent l'utilisateur que quelque chose ne fonctionne pas correctement dans le poêle et que ce dernier doit être soigneusement inspecté avant d'être rallumé. Consultez le guide de dépannage à la page 31 pour en savoir davantage sur les codes d'erreur.

E-0

- Lorsque ce code s'affiche sur les écrans du panneau de commande (en général, lors d'un redémarrage subséquent à un arrêt causé par un code d'erreur), cela signifie qu'il n'y a plus d'erreur et que le poêle peut reprendre son fonctionnement normal.

E-1

- Ce code d'erreur n'est pas utilisé pour ce type de poêle. S'il s'affichait néanmoins sur les écrans du panneau de commande, contactez le service de soutien technique afin qu'un diagnostic puisse être établi quant à la cause de son apparition.

E-2

- Ce code indique que l'allumage des granules a échoué. Il se peut que le poêle ait en fait allumé les granules, mais que le panneau de commande n'ait pas détecté une température suffisamment élevée pour déterminer que le feu a pris. Si tel est le cas, attendez que l'appareil refroidisse, nettoyez le pot de combustion et redémarrez le poêle.

E-3

- Ce code d'erreur indique que la température d'évacuation a dépassé la valeur maximale prééglée. Le code E-3 désigne ce que l'on nomme communément un « emballement », c'est-à-dire que l'air d'évacuation est plus chaud qu'il ne devrait l'être.

E-4

- Ce code s'affiche à la suite d'une baisse de la température de l'évacuation. Il signifie que le feu ou que le « signal de flamme » a été perdu. Cela se produit généralement lorsque la trémie est vide.

Si l'affichage d'un code d'erreur persiste, si un code d'erreur semble inexplicable, ou si vous avez des questions à propos des codes d'erreur ou de leur signification, veuillez contacter le service de soutien technique au 1 800 245-6489.

Interrupteur de sécurité du couvercle de la trémie : cet appareil est également doté d'un interrupteur de sécurité du couvercle de la trémie (pièce n° AC-HLSB) qui est directement raccordé au moteur de la vis à granules. Dans l'éventualité où le couvercle de la trémie est laissé ouvert pendant que le poêle est en marche, l'interrupteur du couvercle de la trémie empêchera la vis à granules de tourner. Cela permet d'éviter que les sous-produits de combustion pénètrent dans la maison à l'aide de l'ouverture laissée par le couvercle de la trémie et aussi d'empêcher l'appareil de fonctionner pendant que le couvercle est ouvert. Une utilisation inadéquate de l'interrupteur de sécurité du couvercle de la trémie empêchera la vis à granules de tourner; par conséquent, le poêle ne fonctionnera pas. Ne placez JAMAIS votre main ni tout autre objet, près de la vis à granules pendant que le poêle est branché.

IMPORTANT! LISEZ ET SUIVEZ TOUTES LES INSTRUCTIONS POUR L'INSTALLATION ET L'ENTRETIEN, NOTAMMENT CELLES PORTANT SUR LE NETTOYAGE DE L'APPAREIL À EFFECTUER SELON LES DIRECTIVES ET CELLES PORTANT SUR LE REMPLACEMENT DES JOINTS (ANNUELLEMENT) ET DES PIÈCES (AU BESOIN). ENGLAND'S STOVE WORKS N'EST PAS RESPONSABLE DES DOMMAGES NI DES BLESSURES, QUELS QU'ILS SOIENT, SUBIS EN RAISON DE NÉGLIGENCE OU À CAUSE D'UNE INSTALLATION OU D'UNE UTILISATION DANGEREUSE DE CE PRODUIT. POUR TOUTE QUESTION, COMMUNIQUEZ AVEC LE SERVICE DE SOUTIEN TECHNIQUE.

PANNE DE COURANT

Si l'appareil manque d'électricité pour une durée de trois minutes ou moins, il reprendra son fonctionnement lorsque l'alimentation électrique sera rétablie, en fonction des indications suivantes :

État de l'appareil au moment de la coupure d'électricité	État de l'appareil lorsque l'alimentation est rétablie
En marche	Démarrage
Démarrage	Démarrage
Mise hors tension	Mise hors tension
Arrêt	Arrêt

- Si l'appareil manque d'électricité pour une durée approximative de plus de trois minutes, il demeurera éteint lorsque l'alimentation électrique sera rétablie.
- **IMPORTANT** : N'ouvrez **NI** le couvercle de la trémie ni la porte de l'appareil pendant une panne de courant. Ouvrez la plus proche des portes sur l'extérieur ainsi qu'une fenêtre, afin de réduire les risques que des sous-produits de combustion en provenance du poêle s'accumulent dans la maison.
- Attendez que l'alimentation électrique soit rétablie, puis appuyez sur le bouton « ON » (marche) pour redémarrer l'appareil au besoin.

Détecteurs de fumée

England's Stove Works, Inc. recommande fortement l'utilisation de détecteurs de fumée dans chaque pièce de la maison. Cependant, le fait de poser un détecteur de fumée directement au-dessus de l'appareil pourrait causer des alarmes intempestives.

Attention – risque de choc électrique

Appuyez sur le bouton « OFF » (arrêt) et laissez l'appareil se refroidir complètement **AVANT** de le débrancher et de procéder à son entretien ou au remplacement d'une pièce.

Risque de choc électrique si l'appareil n'est pas débranché avant son entretien.

IMPORTANT! LISEZ ET SUIVEZ **TOUTES** LES INSTRUCTIONS POUR L'INSTALLATION ET L'ENTRETIEN, NOTAMMENT CELLES PORTANT SUR LE NETTOYAGE DE L'APPAREIL À EFFECTUER SELON LES DIRECTIVES ET CELLES PORTANT SUR LE REMPLACEMENT DES JOINTS (ANNUELLEMENT) ET DES PIÈCES (AU BESOIN). ENGLAND'S STOVE WORKS N'EST PAS RESPONSABLE DES DOMMAGES NI DES BLESSURES, QUELS QU'ILS SOIENT, SUBIS EN RAISON DE NÉGLIGENCE OU À CAUSE D'UNE INSTALLATION OU D'UNE UTILISATION DANGEREUSE DE CE PRODUIT. POUR TOUTE QUESTION, COMMUNIQUEZ AVEC LE SERVICE DE SOUTIEN TECHNIQUE.

****Un mauvais nettoyage du poêle peut entraîner une baisse de rendement et un retour de flammes.****

Élimination des cendres – Les cendres doivent être placées dans un contenant métallique avec couvercle hermétique. Ce contenant doit être placé sur un plancher non combustible ou sur le sol, loin de tous matériaux combustibles, jusqu'à ce que les cendres soient complètement refroidies et qu'elles soient finalement enfouies dans le sol ou dispersées sur place.

ENTRETIEN QUOTIDIEN

Remarques importantes

- Comme pour toute tâche d'entretien concernant ce produit, assurez-vous que l'appareil est hors tension (« OFF ») et qu'il est complètement arrêté **AVANT** de procéder à l'entretien.
- N'oubliez pas que les pièces métalliques du foyer peuvent rester **CHAUDES** longtemps après que les flammes se sont éteintes et **MÊME** longtemps après l'arrêt complet de l'appareil. Soyez toujours très prudent lorsque vous manipulez des pièces du poêle qui peuvent être chaudes, même si vous pensez qu'elles sont refroidies.
- N'enlevez les cendres que lorsque le poêle est arrêté et qu'il a complètement refroidi. Des braises peuvent rester chaudes sous les cendres longtemps après que le feu s'est éteint dans ce poêle (comme dans tout autre appareil du même type).
- La quantité de cendres et de dépôts générés par les granules dans le pot de combustion peut varier. Surveillez attentivement l'accumulation de cendres dans le poêle à la première utilisation et chaque fois que vous y brûlez un nouveau type de granule.
- Bien que la quantité de cendres produite par cet appareil ne soit pas très grande par rapport à celle d'un poêle à bois traditionnel, il est **ESSENTIEL** que vous le gardiez propre et exempt de cendres pour maintenir une efficacité et un rendement optimaux. L'accumulation de cendres gêne la circulation d'air, réduit l'efficacité et peut produire un retour de fumée.
- England's Stove Works® n'est pas responsable des dommages, quels qu'ils soient, subis à cause d'un poêle mal entretenu et mal nettoyé. Ce poêle à granules est un appareil extrêmement efficace s'il reçoit l'entretien adéquat lui permettant de maintenir un rendement optimal.

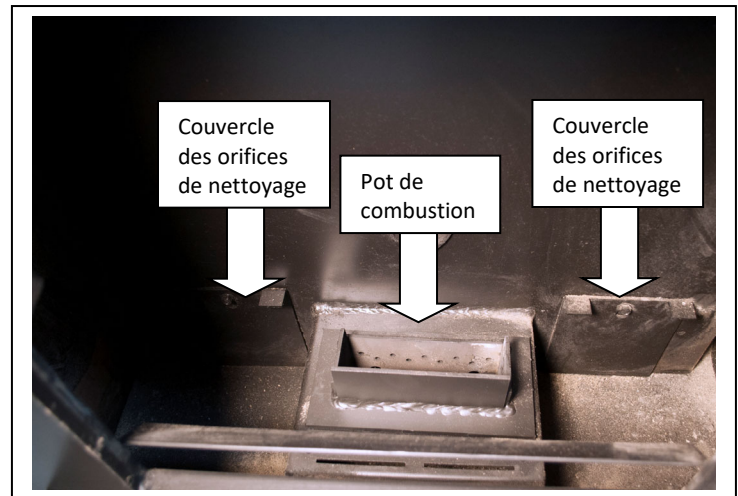
Retrait et élimination des cendres

- Appuyez sur le bouton « OFF » (arrêt) et laissez le poêle terminer son cycle d'arrêt et refroidir complètement.

IMPORTANT! LISEZ ET SUIVEZ **TOUTES** LES INSTRUCTIONS POUR L'INSTALLATION ET L'ENTRETIEN, NOTAMMENT CELLES PORTANT SUR LE NETTOYAGE DE L'APPAREIL À EFFECTUER SELON LES DIRECTIVES ET CELLES PORTANT SUR LE REMPLACEMENT DES JOINTS (ANNUELLEMENT) ET DES PIÈCES (AU BESOIN). ENGLAND'S STOVE WORKS N'EST PAS RESPONSABLE DES DOMMAGES NI DES BLESSURES, QUELS QU'ILS SOIENT, SUBIS EN RAISON DE NÉGLIGENCE OU À CAUSE D'UNE INSTALLATION OU D'UNE UTILISATION DANGEREUSE DE CE PRODUIT. POUR TOUTE QUESTION, COMMUNIQUEZ AVEC LE SERVICE DE SOUTIEN TECHNIQUE.

- En raison de la conception ouverte du foyer, la majeure partie de la cendre s'accumulera de chaque côté du support. Ouvrez la porte du poêle, et utilisez un ancien pinceau ou un couteau à mastiquer pour déplacer les cendres autour du pot de combustion et dans les zones ouvertes à côté du support.
- À l'aide de l'outil de nettoyage fourni, enlevez les dépôts qui restent dans le pot de combustion, en prenant soin de les retirer du pot et de ne pas les laisser s'infiltrer dans le support. L'accumulation excessive de cendres dans le support peut nuire au rendement du poêle (voir « Nettoyage du pot de combustion » ci-dessous).

AVERTISSEMENT : Soyez prudent lorsque vous utilisez l'outil de nettoyage, car il comporte une pointe tranchante et peut avoir des bords coupants (comme tout outil métallique). Comme pour tout travail d'entretien, il est recommandé de porter des gants, des lunettes de sécurité et tout autre équipement de sécurité nécessaire pendant la manipulation de l'outil de nettoyage.



Nettoyage du pot de combustion

Après le retrait des cendres du poêle, le nettoyage du pot de combustion est l'autre tâche quotidienne d'entretien qui assurera le fonctionnement optimal du poêle. Les granules contiennent des quantités variables d'impuretés et de matériaux fusibles qui s'accumuleront dans le pot de combustion au fil du temps. Certaines granules contiennent des quantités beaucoup plus élevées d'impuretés fusibles. Vous devez donc vous montrer encore plus vigilant afin de garder le pot de combustion propre. Permettre aux impuretés de s'accumuler dans le pot de combustion peut restreindre l'arrivée d'air aux flammes, ce qui donne lieu à une combustion sale et inefficace en plus de réduire la durée de vie du pot de combustion.

REMARQUE : Le pot de combustion doit être nettoyé quotidiennement et **avant chaque mise en marche** (avant d'appuyer sur le bouton « ON » [marche]).

- Laissez toujours l'appareil terminer son cycle d'arrêt et se refroidir complètement avant d'effectuer toute tâche d'entretien du foyer.
- Ouvrez la porte avant et retirez le pot de combustion en le soulevant à la verticale et en le tirant hors du support. **AVERTISSEMENT** – Le pot de combustion peut rester **CHAUD** longtemps après que les flammes se sont éteintes; par conséquent, vous devriez porter des gants de protection lorsque vous le manipulez.
- Une fois que vous avez retiré le pot de combustion du poêle, utilisez l'outil de nettoyage pour enlever tous les dépôts se trouvant dans le pot.
- **Assurez-vous que tous les orifices d'entrée d'air sont dégagés et qu'ils ne sont pas bouchés** par des matières fusibles; l'outil de nettoyage fourni convient à ces orifices et est utile pour éliminer les dépôts tenaces qui s'y trouvent.

IMPORTANT! LISEZ ET SUIVEZ **TOUTES** LES INSTRUCTIONS POUR L'INSTALLATION ET L'ENTRETIEN, NOTAMMENT CELLES PORTANT SUR LE NETTOYAGE DE L'APPAREIL À EFFECTUER SELON LES DIRECTIVES ET CELLES PORTANT SUR LE REMPLACEMENT DES JOINTS (ANNUELLEMENT) ET DES PIÈCES (AU BESOIN). ENGLAND'S STOVE WORKS N'EST PAS RESPONSABLE DES DOMMAGES NI DES BLESSURES, QUELS QU'ILS SOIENT, SUBIS EN RAISON DE NÉGLIGENCE OU À CAUSE D'UNE INSTALLATION OU D'UNE UTILISATION DANGEREUSE DE CE PRODUIT. POUR TOUTE QUESTION, COMMUNIQUEZ AVEC LE SERVICE DE SOUTIEN TECHNIQUE.

- Enlevez toutes les cendres se trouvant au fond et sur le dessus du support, ainsi que sur les côtés du foyer. Il est important que vous gardiez le haut du support libre de cendres pour que le pot de combustion soit bien en place sur le support.
- Réinsérez le pot de combustion dans le support en suivant à l'inverse la procédure expliquée ci-dessus.

ENTRETIEN HEBDOMADAIRE

Retrait du déflecteur

- Comme pour toute tâche d'entretien concernant ce produit, assurez-vous que l'appareil est hors tension (« OFF ») et qu'il est complètement arrêté et refroidi **AVANT** de procéder à l'entretien. N'oubliez pas que les pièces métalliques du foyer peuvent rester **CHAUDES** longtemps après que les flammes se sont éteintes et **MÊME** longtemps après l'arrêt complet de l'appareil. Soyez toujours très prudent lorsque vous manipulez des pièces du poêle qui peuvent être chaudes, même si vous pensez qu'elles sont refroidies.
- L'entretien hebdomadaire comprend les étapes de la présente section **AINSI QUE** les étapes de la section « Entretien quotidien ».
- Retirez le déflecteur supérieur (à l'intérieur du foyer, au-dessus de la porte) du poêle en le soulevant, en le tirant vers l'avant, puis en le tournant sur le côté. Le numéro de pièce du déflecteur supérieur est AC-PAHTB.
- Enlevez toute accumulation de cendres derrière le déflecteur.
- L'utilisation d'un aspirateur eau et poussière est fortement recommandée, car cela évite que les cendres volantes tombent à travers les trous d'évacuation et dans la chambre d'évacuation.
- Suivez les étapes ci-dessus à l'envers pour replacer le déflecteur. Assurez-vous que les languettes du déflecteur entrent dans les trous correspondants situés dans la paroi du foyer du poêle. Si le déflecteur est correctement installé, sa partie supérieure reposera sur la paroi avant du poêle.

Couvercles des orifices de nettoyage

- La chambre d'évacuation du poêle a été intentionnellement conçue pour accumuler les cendres. Accumuler les cendres dans cette chambre prévient leur accumulation dans le ventilateur de combustion et le système de ventilation. Vous pouvez accéder facilement à la chambre d'évacuation par ses orifices de nettoyage situés dans le foyer.
- Retirez les couvercles des orifices de nettoyage (*coins inférieur gauche et inférieur droit, de chaque côté du pot de combustion; consultez l'image à la page précédente*). Au moyen d'une clé à douille de 5/16 po, desserrez les vis des couvercles, puis tirez les couvercles vers le haut pour les retirer des vis.
- **AVANT** de passer l'aspirateur dans la chambre, vérifiez le type de cendres, ainsi que la quantité accumulée. Les cendres accumulées dans la chambre d'évacuation doivent être légères, moelleuses, grises ou blanches, et l'accumulation ne devrait pas atteindre la moitié supérieure de l'orifice de nettoyage.

IMPORTANT! LISEZ ET SUIVEZ **TOUTES** LES INSTRUCTIONS POUR L'INSTALLATION ET L'ENTRETIEN, NOTAMMENT CELLES PORTANT SUR LE NETTOYAGE DE L'APPAREIL À EFFECTUER SELON LES DIRECTIVES ET CELLES PORTANT SUR LE REMPLACEMENT DES JOINTS (ANNUELLEMENT) ET DES PIÈCES (AU BESOIN). ENGLAND'S STOVE WORKS N'EST PAS RESPONSABLE DES DOMMAGES NI DES BLESSURES, QUELS QU'ILS SOIENT, SUBIS EN RAISON DE NÉGLIGENCE OU À CAUSE D'UNE INSTALLATION OU D'UNE UTILISATION DANGEREUSE DE CE PRODUIT. POUR TOUTE QUESTION, COMMUNIQUEZ AVEC LE SERVICE DE SOUTIEN TECHNIQUE.

- À l'aide d'un aspirateur de type eau et poussière, enlevez les cendres volantes de la chambre d'évacuation. Pour faciliter cette tâche, vous pouvez fixer un petit embout à l'extrémité du tuyau de l'aspirateur d'atelier pour atteindre les cendres. Lorsque vous avez terminé, remplacez les couvercles des orifices de nettoyage.
- Un aspirateur de cendres spécialement conçu est offert sur le site Web d'England's Stove Works à l'adresse : store.heatredefined.com.

ENTRETIEN MENSUEL

- REMARQUE : Comme pour toute tâche d'entretien concernant ce produit, assurez-vous que l'appareil est hors tension (« OFF ») et qu'il est complètement arrêté et refroidi AVANT de procéder à l'entretien.
- N'oubliez pas que les pièces métalliques du foyer peuvent rester CHAUDES longtemps après que les flammes se sont éteintes et MÊME longtemps après l'arrêt complet de l'appareil. Soyez toujours très prudent lorsque vous manipulez des pièces du poêle qui peuvent être chaudes, même si vous pensez qu'elles sont refroidies.
- L'entretien mensuel comprend les étapes de la présente section AINSI QUE les étapes des sections « Entretien quotidien » et « Entretien hebdomadaire ».
- Les nettoyages mensuels peuvent s'effectuer par plus grands intervalles, selon la durée d'utilisation quotidienne du poêle. Un poêle qui chauffe en permanence a plus fréquemment besoin des nettoyages prévus sur une base mensuelle qu'un poêle utilisé périodiquement comme chauffage d'appoint.
- La règle à suivre est la suivante : l'entretien mensuel doit effectivement être effectué une fois par mois OU chaque fois que l'on a brûlé une tonne de granules, selon la première de ces éventualités.
- Si trop de cendre s'accumule dans la chambre d'évacuation ou dans le système de ventilation pendant le mois, on doit réduire les intervalles entre les nettoyages afin d'éviter que l'accumulation de cendre nuise au rendement du poêle.
- Un aspirateur de cendres spécialement conçu est offert sur le site Web d'England's Stove Works à l'adresse : store.heatredefined.com

(Suite à la page suivante)

ENTRETIEN MENSUEL

Nettoyage du tuyau de ventilation

- Les pièces inférieures et de raccordement du système de ventilation (comme les té et les coudes) constituent des zones où les cendres volantes et le crésote peuvent s'accumuler. VÉRIFIEZ soigneusement l'accumulation dans ces zones afin de vous assurer que le système de ventilation peut fonctionner en toute sécurité.
- Selon le type de système de ventilation de votre poêle, il peut être possible d'ôter le couvercle en té des orifices de nettoyage et de simplement enlever les cendres volantes accumulées à l'aide d'une brosse pour tuyau.
- Les parties horizontales des tuyaux, telles que le tuyau de raccord de l'évacuation au tuyau vertical, accumulent les cendres volantes et doivent être inspectées minutieusement et nettoyées à l'aide d'une brosse.
- Vérifiez si les embouts ne sont pas bouchés ou obstrués par les cendres volantes accumulées.
- Après avoir soigneusement nettoyé le système de ventilation, refermez tous les joints démontés avec de la silicone résistant aux températures élevées (pièce n° AC-RTV3), si cela s'applique à votre système de ventilation.
- Inspectez les joints qui n'ont pas été démontés pour vous assurer qu'ils sont étanches aux fumées.
- Après une utilisation prolongée du poêle, vous trouverez généralement les zones de fuite du système de ventilation en cherchant les dépôts de cendres volantes à l'extérieur du tuyau. Surveillez soigneusement les fuites du système de ventilation et scellez les tuyaux en conséquence.
- Bien que la plupart des systèmes de ventilation des poêles à granules soient conçus pour durer toute une vie, les cendres volantes produites par les granules peuvent les corroder dans certains cas. Lors du nettoyage de votre système de ventilation, examinez attentivement les tuyaux pour détecter tout signe de détérioration, et remplacez les pièces excessivement usées. Il est peu probable que vous ayez à vous préoccuper de cet aspect, mais il est important de maintenir votre système de ventilation en bon état pour garantir le fonctionnement sécuritaire de votre poêle.

ENTRETIEN ANNUEL

Remarques importantes

- Comme pour toute tâche d'entretien concernant ce produit, assurez-vous que l'appareil est hors tension (« OFF ») et qu'il est complètement arrêté et refroidi AVANT de procéder à l'entretien.
- N'oubliez pas que les pièces métalliques du foyer peuvent rester CHAUDES longtemps après que les flammes se sont éteintes et MÊME longtemps après l'arrêt complet de l'appareil. Soyez toujours très prudent lorsque vous manipulez des pièces du poêle qui peuvent être chaudes, même si vous pensez qu'elles sont refroidies.
- L'entretien annuel (ou à la fin de la saison) comprend les étapes de la présente section, AINSI QUE les étapes des sections « Entretien quotidien », « Entretien hebdomadaire » et « Entretien mensuel ».
- Vous devez effectuer l'entretien annuel à la fin de la saison de chauffage. Laisser les cendres et les autres matières accumulées dans le poêle pendant les mois où on ne l'utilise pas peut causer une dégradation prématurée du métal du poêle et du système de ventilation. Portez particulièrement attention aux détails et nettoyez minutieusement le poêle à la fin de la saison de chauffage. Cela vous permettra d'utiliser votre poêle et son système de ventilation longtemps.
- L'appareil doit être débranché pendant l'été (et lorsqu'il n'est pas utilisé), afin d'aider à le protéger contre les risques de dommages causés par la foudre et par d'autres perturbations du courant électrique.

SUIE ET CENDRES VOLANTES : FORMATION ET RETRAIT

Les produits de combustion contiennent des petites particules de cendres volantes. Ces cendres volantes s'accumulent dans le système d'évacuation par ventilation, et restreignent le flux des gaz de combustion. La combustion incomplète, comme celle qui survient lors du démarrage et de l'arrêt du poêle ou en cas de mauvais fonctionnement du poêle, produit de la suie qui s'accumule dans le système d'évacuation par ventilation. Inspectez le système d'évacuation par ventilation au moins une fois par année pour savoir s'il a besoin d'être nettoyé.

Attention – risque de choc électrique

Appuyez sur le bouton « OFF » (arrêt) et laissez l'appareil se refroidir complètement AVANT de le débrancher et de procéder à son entretien ou au remplacement d'une pièce.

Risque de choc électrique si l'appareil n'est pas débranché avant son entretien.

IMPORTANT! LISEZ ET SUIVEZ **TOUTES** LES INSTRUCTIONS POUR L'INSTALLATION ET L'ENTRETIEN, NOTAMMENT CELLES PORTANT SUR LE NETTOYAGE DE L'APPAREIL À EFFECTUER SELON LES DIRECTIVES ET CELLES PORTANT SUR LE REMPLACEMENT DES JOINTS (ANNUELLEMENT) ET DES PIÈCES (AU BESOIN). ENGLAND'S STOVE WORKS N'EST PAS RESPONSABLE DES DOMMAGES NI DES BLESSURES, QUELS QU'ILS SOIENT, SUBIS EN RAISON DE NÉGLIGENCE OU À CAUSE D'UNE INSTALLATION OU D'UNE UTILISATION DANGEREUSE DE CE PRODUIT. POUR TOUTE QUESTION, COMMUNIQUEZ AVEC LE SERVICE DE SOUTIEN TECHNIQUE.

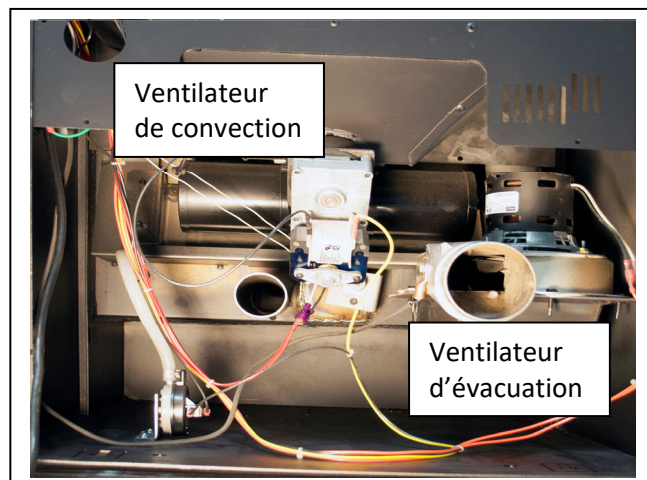
ENTRETIEN ANNUEL

Nettoyage du ventilateur d'évacuation

Même si le ventilateur d'évacuation et son boîtier ont été conçus de façon à réduire l'accumulation de cendres, une certaine quantité de cendres s'y accumulera pendant toute la saison de chauffage. La quantité et le type de cendres dépendent du type de granules et du système de ventilation, mais, en général, il y a peu d'accumulation. Si vous trouvez une grande quantité de cendres volantes dans le ventilateur d'évacuation lors de son nettoyage, vous devez en effectuer l'entretien tous les mois ou deux fois par mois pour éviter une accumulation excessive.

Instructions

- Avant de procéder à l'entretien du ventilateur d'évacuation, assurez-vous que l'appareil est débranché et complètement refroidi.
- Retirez le panneau latéral gauche du poêle à l'aide d'un tournevis à douille ou d'une clé de 5/16 po.
- Dégagez légèrement le système de ventilation du ventilateur d'évacuation de façon à pouvoir retirer celui-ci du poêle.
- Une fois le panneau enlevé, vous verrez clairement le ventilateur d'évacuation.
- Débranchez les deux fils qui relient le faisceau de câblage du poêle au ventilateur d'évacuation à l'aide des embouts à raccord rapide. Débranchez le capteur de chaleur qui est fixé à l'aide d'une vis sur le ventilateur d'évacuation.
- Dévissez les cinq (5) vis autotaraudeuses de 5/16 po qui fixent le ventilateur d'évacuation au tube d'évacuation.
- Soulevez le ventilateur d'évacuation et retirez-le du poêle. Le joint qui scelle le ventilateur d'évacuation au tuyau d'évacuation est fragile, alors soyez très prudent lorsque vous retirez le ventilateur. Cependant, même en étant prudent, il est facile de déchirer ce joint fragile et, comme l'étanchéité est essentielle à cet endroit, il est préférable de remplacer le joint (pièce n° - PU-CBMG) chaque fois que vous enlevez le ventilateur d'évacuation.
- Après avoir enlevé le ventilateur d'évacuation, nettoyez toute accumulation de cendres dans le tuyau d'évacuation à l'aide d'un aspirateur eau et poussière.
- Utilisez un pinceau doux pour retirer soigneusement toute accumulation de cendres à l'intérieur du ventilateur d'évacuation et sur sa pale.
- Inspectez le moteur du ventilateur d'évacuation pour trouver toute accumulation de poussière et enlevez-la soigneusement, en vous assurant que tous les trous de refroidissement du moteur sont dégagés et libres de dépôts de poussière.
- Réinstallez le ventilateur en suivant à l'inverse les étapes décrites précédemment. N'oubliez pas de vérifier l'état du joint du ventilateur d'évacuation et de fixer le capteur de chaleur au ventilateur d'évacuation.
- Réinstallez le système de ventilation et les panneaux.



Nettoyage du ventilateur de convection

Comme toujours, assurez-vous que le poêle est refroidi et **débranché** avant d'effectuer l'entretien d'un de ses composants, quel qu'il soit. Comme le ventilateur de convection ne traite pas les sous-produits de combustion, il ne nécessite pas un nettoyage aussi minutieux que le ventilateur d'évacuation. Cependant, la poussière de la maison et d'autres débris présents dans l'air peuvent s'accumuler sur les pales du ventilateur de convection.

IMPORTANT! LISEZ ET SUIVEZ **TOUTES** LES INSTRUCTIONS POUR L'INSTALLATION ET L'ENTRETIEN, NOTAMMENT CELLES PORTANT SUR LE NETTOYAGE DE L'APPAREIL À EFFECTUER SELON LES DIRECTIVES ET CELLES PORTANT SUR LE REMPLACEMENT DES JOINTS (ANNUELLEMENT) ET DES PIÈCES (AU BESOIN). ENGLAND'S STOVE WORKS N'EST PAS RESPONSABLE DES DOMMAGES NI DES BLESSURES, QUELS QU'ILS SOIENT, SUBIS EN RAISON DE NÉGLIGENCE OU À CAUSE D'UNE INSTALLATION OU D'UNE UTILISATION DANGEREUSE DE CE PRODUIT. POUR TOUTE QUESTION, COMMUNIQUEZ AVEC LE SERVICE DE SOUTIEN TECHNIQUE.

Retirez le panneau arrière de l'appareil à l'aide d'un tournevis à douille ou d'une clé de 5/16 po. Le ventilateur de convection se trouve au centre du poêle (consultez l'image ci-dessus). En général, la poussière qui s'est accumulée sur les pales du ventilateur (des deux côtés de celui-ci) peut être enlevée facilement à l'aide d'un aspirateur ou d'un pinceau doux. Retirez les 4 vis de 5/16 po qui retiennent le support en place afin d'enlever le ventilateur, au besoin.

Nettoyage des fines dans la trémie et la vis à granules

Selon le type et la qualité de granules brûlés dans le poêle, des fines et de la poussière peuvent s'accumuler dans la trémie. La plupart des fines s'accumuleront dans la partie inférieure de la vis à granules, vers l'arrière du poêle. Éteignez le poêle, **débranchez-le**, puis laissez-le se refroidir complètement. Après avoir vidé la trémie, nettoyez les fines se trouvant dans le tube de la vis à granules à l'aide d'un aspirateur eau et poussière. Si vous ne pouvez pas enlever les fines de la partie supérieure de la trémie :

- enlevez le panneau arrière; pour retirer les vis, utilisez un tournevis à douille ou une douille de 5/16 po;
- repérez le moteur de la vis à granules dans la partie centrale arrière du poêle, puis trouvez les deux vis de réglage de chaque côté du collet de montage en fonte;
- à l'aide d'une clé hexagonale de 1/8 po, desserrez les vis de réglage de chaque côté du collet de montage de la vis à granules;
- en tenant l'aspirateur eau et poussière d'une main, laissez l'ensemble vis à granules glisser légèrement de son tube, de façon à pouvoir aspirer toutes les fines se trouvant dans cette zone;
- réinstallez l'ensemble vis à granules et serrez les vis; réinstallez le panneau arrière en vous assurant de serrer les vis à l'arrière du poêle.

Nettoyage des fines à l'intérieur du tube de la vis à granules

- Retirez le couvercle de la vis à granules (situé au-dessus de la vis à granules, au fond de la trémie) en enlevant les 8 vis de 5/16 po qui le maintiennent en place. À l'aide d'un aspirateur d'atelier, enlevez les excès de poussière ou de fines qui se sont accumulés dans le tube autour de la vis à granules.
- Réinstallez le couvercle de la vis à granules en suivant la méthode inverse.

Vérification des joints

Il est essentiel que le joint de l'ouverture de porte soit étanche à l'air pour assurer le rendement adéquat du poêle. Une fuite d'air dans cette zone peut causer non seulement un brûlage sale et inefficace, mais aussi représenter un risque pour la sécurité. Pour cette raison, vous devez toujours maintenir le joint d'étanchéité de la porte en bon état et le remplacer annuellement ou plus tôt, si nécessaire. Vous pouvez vérifier l'étanchéité des joints à l'aide de la méthode du « billet de banque » :

- Glissez un billet de banque entre le joint et le corps du poêle (à l'endroit où le joint touche au poêle).
- Fermez bien la porte, puis essayez de retirer le billet de banque. Si le billet entre et sort facilement, vous devez remplacer le joint. Répétez ce test sur tout le périmètre du joint d'étanchéité, car il peut être en bon état d'un côté, mais en mauvais état de l'autre.

IMPORTANT! LISEZ ET SUIVEZ **TOUTES** LES INSTRUCTIONS POUR L'INSTALLATION ET L'ENTRETIEN, NOTAMMENT CELLES PORTANT SUR LE NETTOYAGE DE L'APPAREIL À EFFECTUER SELON LES DIRECTIVES ET CELLES PORTANT SUR LE REMPLACEMENT DES JOINTS (ANNUELLEMENT) ET DES PIÈCES (AU BESOIN). ENGLAND'S STOVE WORKS N'EST PAS RESPONSABLE DES DOMMAGES NI DES BLESSURES, QUELS QU'ILS SOIENT, SUBIS EN RAISON DE NÉGLIGENCE OU À CAUSE D'UNE INSTALLATION OU D'UNE UTILISATION DANGEREUSE DE CE PRODUIT. POUR TOUTE QUESTION, COMMUNIQUEZ AVEC LE SERVICE DE SOUTIEN TECHNIQUE.

Guide de dépannage

AVERTISSEMENT : Pour éviter les **CHOCs ÉLECTRIQUES**, débranchez *toujours* l'appareil de l'alimentation **AVANT** de commencer une réparation. Si vous ne trouvez pas de solution à votre problème dans le présent guide, communiquez avec votre détaillant local ou le soutien technique au 1 800 245-6489.

* Consultez la section CODES D'ERREUR du présent guide pour plus d'informations sur le dépannage des codes d'erreur.

<u>Problème</u>	<u>Cause</u>	<u>Solution</u>
La vis à granules ne tourne pas	<ol style="list-style-type: none"> 1. Le moteur de la vis à granules est en mauvais état. 2. Une matière étrangère bloque la vis à granules. 3. Détecteur de l'aspirateur. 	<ol style="list-style-type: none"> 1. Remplacez le moteur de la vis à granules. 2. Enlever les granules et les autres sources d'obstruction. 3. Vérifiez le ventilateur d'évacuation.
Odeur de fumée ou poussière dans la maison	<ol style="list-style-type: none"> 1. Connexion incorrecte de l'évacuation. 	<ol style="list-style-type: none"> 1. Vérifiez les connexions de l'évacuation pour trouver les fuites, particulièrement la connexion du ventilateur d'évacuation. Colmatez les fuites avec de la silicone, du ruban d'aluminium ou un collier de serrage.
Le ventilateur d'air ambiant ne fonctionne pas	<ol style="list-style-type: none"> 1. Détecteur thermique lâche. 2. La vitesse du ventilateur est trop élevée par rapport à la plage de chaleur, ce qui refroidit le poêle et entraîne l'arrêt du ventilateur. 3. Un fil est mal raccordé. 	<ol style="list-style-type: none"> 1. Resserrez la connexion sur le détecteur. 2. Réduisez la vitesse du ventilateur. 3. Vérifiez les connexions dans le panneau de commande.
Le ventilateur d'évacuation ne fonctionne pas	<ol style="list-style-type: none"> 1. Un fil est mal raccordé. 2. Le ventilateur fonctionne mal. 3. Le détecteur de l'aspirateur fonctionne mal. 	<ol style="list-style-type: none"> 1. Vérifiez les connexions dans le panneau de commande. 2. Remplacez le ventilateur. 3. Remplacez le détecteur de l'aspirateur.
Flammes peu intenses	<ol style="list-style-type: none"> 1. Le ventilateur d'évacuation fonctionne mal. 2. Granules excessivement humides. 3. Accumulation excessive de cendres. 4. Granules de qualité inférieure. 	<ol style="list-style-type: none"> 1. Inspectez et remplacez le ventilateur. 2. Gardez les granules au sec. 3. Nettoyez soigneusement l'appareil. 4. N'utilisez que des granules de première qualité approuvées par le PFI (Pellet Fuel Institute).
Un fusible a sauté	<ol style="list-style-type: none"> 1. Surtension. 2. Fil dénudé. 3. Il y a court-circuit dans un composant électrique. 	<ol style="list-style-type: none"> 1. Remplacez le fusible; utilisez un parasurtenseur. 2. Vérifiez s'il y a des fils dénudés ou des câbles dont la gaine protectrice est abîmée. 3. Vérifiez si des éléments bloquent les moteurs et les ventilateurs ou s'il y a des courts-circuits.
Consommation élevée de granules	<ol style="list-style-type: none"> 1. Les granules sont de qualité inférieure ou leur taille n'est pas uniforme. 	<ol style="list-style-type: none"> 1. Utilisez des granules de première qualité, ou essayez une autre marque de granules.
Grincements	<ol style="list-style-type: none"> 1. Un élément obstrue le tube de la vis à granules. 2. Ventilateur bruyant. 	<ol style="list-style-type: none"> 1. Vérifiez s'il y a des éléments qui obstruent le tube de la vis à granules. 2. Retirez, nettoyez et huilez le ventilateur.
Cognements ou cliquetis	<ol style="list-style-type: none"> 1. Matières dans le ventilateur. 2. La vis de calage du ventilateur d'évacuation est lâche. 	<ol style="list-style-type: none"> 1. Vérifiez que les deux ventilateurs sont libres d'obstructions. 2. Vérifiez si la vis de calage est bien serrée.

IMPORTANT! LISEZ ET SUIVEZ **TOUTES** LES INSTRUCTIONS POUR L'INSTALLATION ET L'ENTRETIEN, NOTAMMENT CELLES PORTANT SUR LE NETTOYAGE DE L'APPAREIL À EFFECTUER SELON LES DIRECTIVES ET CELLES PORTANT SUR LE REMPLACEMENT DES JOINTS (ANNUELLEMENT) ET DES PIÈCES (AU BESOIN). ENGLAND'S STOVE WORKS N'EST PAS RESPONSABLE DES DOMMAGES NI DES BLESSURES, QUELS QU'ILS SOIENT, SUBIS EN RAISON DE NÉGLIGENCE OU À CAUSE D'UNE INSTALLATION OU D'UNE UTILISATION DANGEREUSE DE CE PRODUIT. POUR TOUTE QUESTION, COMMUNIQUEZ AVEC LE SERVICE DE SOUTIEN TECHNIQUE.

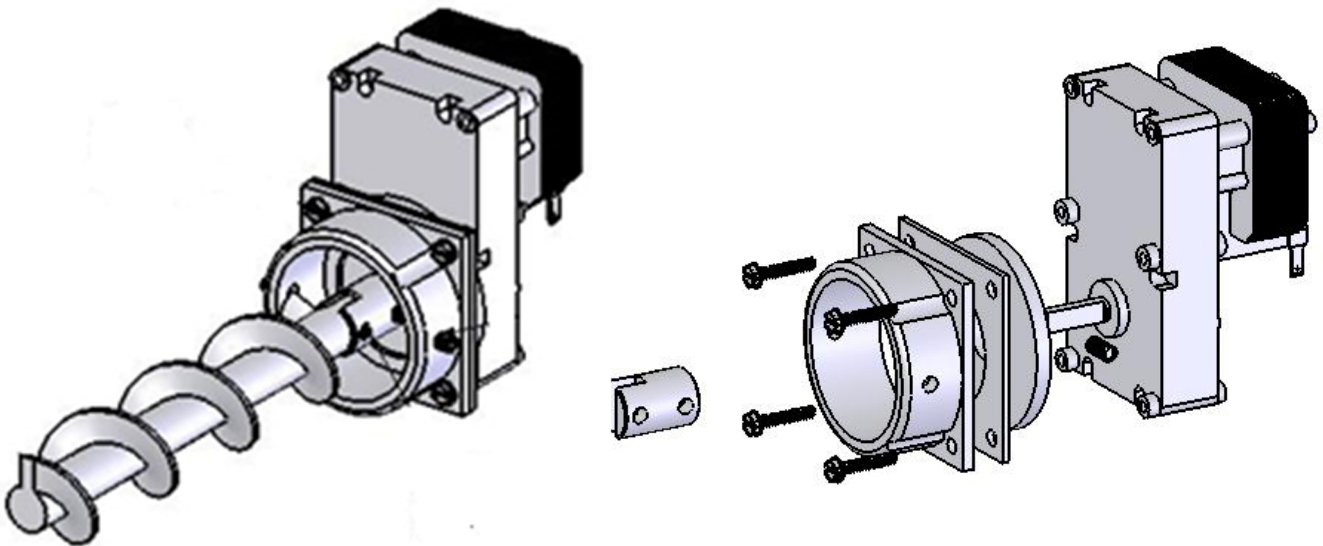
L'appareil s'arrête après 15 à 20 minutes de fonctionnement, et le panneau de commande affiche le code « FS » (échec du démarrage)	1. Détecteur thermique lâche. 2. Réglages du panneau de commande. 3. Les granules ne prennent pas feu.	1. Vérifiez les deux côtés de la connexion du détecteur thermique (ventilateur d'évacuation et panneau de commande). 2. Démarrez le poêle au degré de chaleur minimal de 5 pour vous assurer qu'un bon feu s'allume. 3. Vérifiez s'il y a des accumulations dans l'allumeur ou si ce dernier est en panne.
Code « OT » sur le panneau de commande (température excessive)	1. Défaillance du ventilateur de convection (air de la pièce). 2. Flux partiellement bloqué. 3. Utilisation d'un combustible autre que des granules de bois de première qualité.	1. Vérifiez si le ventilateur de convection fonctionne correctement, et remplacez-le au besoin. 2. Vérifiez si des éléments obstruent le flux. 3. Utilisez SEULEMENT des granules de bois de première qualité dans ce poêle.
Remarques : 1. Chaque fois que vous devez vérifier ou remplacer le détecteur de l'aspirateur, vérifiez également si le boyau de l'aspirateur est lâche ou fissuré. De plus, assurez-vous que le port de mesure de l'aspirateur dans le foyer est toujours propre (nettoyez-le à l'aide d'un goupillon ou d'une brosse; n'utilisez pas un aspirateur pour nettoyer ce port). 2. Pour redémarrer et effacer un code d'erreur affiché dans le panneau de commande, appuyez sur le bouton « ON » (marche). L'appareil devrait se réinitialiser et redémarrer. 3. Si vous n'êtes pas sûr de la signification d'un code d'erreur ou si vous avez des questions, NOUS VOUS PRIONS de communiquer avec le service de soutien technique au 1 800 245-6489.		

IMPORTANT! LISEZ ET SUIVEZ **TOUTES** LES INSTRUCTIONS POUR L'INSTALLATION ET L'ENTRETIEN, NOTAMMENT CELLES PORTANT SUR LE NETTOYAGE DE L'APPAREIL À EFFECTUER SELON LES DIRECTIVES ET CELLES PORTANT SUR LE REMPLACEMENT DES JOINTS (ANNUELLEMENT) ET DES PIÈCES (AU BESOIN). ENGLAND'S STOVE WORKS N'EST PAS RESPONSABLE DES DOMMAGES NI DES BLESSURES, QUELS QU'ILS SOIENT, SUBIS EN RAISON DE NÉGLIGENCE OU À CAUSE D'UNE INSTALLATION OU D'UNE UTILISATION DANGEREUSE DE CE PRODUIT. POUR TOUTE QUESTION, COMMUNIQUEZ AVEC LE SERVICE DE SOUTIEN TECHNIQUE.

REEMPLACEMENT DES PIÈCES

Moteur de la vis à granules

- Avant de procéder au remplacement d'une pièce, assurez-vous que l'appareil est débranché et complètement refroidi. Assurez-vous également que la trémie est vide avant de tenter d'enlever ou de remplacer l'ensemble moteur de la vis à granules.
- Retirez le panneau arrière de l'appareil à l'aide d'une clé de $5/16$ po. Avant de desserrer les boulons du moteur de la vis à granules, détachez le faisceau de câblage de ce moteur.
- Repérez l'ensemble du moteur de la vis à granules à l'arrière du poêle et commencez par desserrer les 2 vis de calage hexagonales de $1/8$ po de chaque côté du raccord en fonte du moteur.
- Faites glisser l'ensemble de vis à granules hors du tube.
- Retirez ensuite les 4 vis qui maintiennent en place le raccord en fonte du moteur de la vis à granules, à l'aide d'une clé de $5/16$ po. Faites glisser le raccord en fonte du moteur de la vis à granules et la plaque d'espacement en acier hors du moteur de la vis.
- Dévissez les vis de calage hexagonales de $1/8$ po qui fixent le raccord en acier à l'arbre de sortie du moteur de la vis à granules, puis retirez ce raccord, ainsi que l'amortisseur de vibration en caoutchouc.
- Réinstallez les pièces dans l'ordre inverse sur le nouveau moteur de vis à granules, en faisant attention de ne pas trop serrer les boulons qui maintiennent en place le raccord en fonte au moteur.



IMPORTANT! LISEZ ET SUIVEZ **TOUTES** LES INSTRUCTIONS POUR L'INSTALLATION ET L'ENTRETIEN, NOTAMMENT CELLES PORTANT SUR LE NETTOYAGE DE L'APPAREIL À EFFECTUER SELON LES DIRECTIVES ET CELLES PORTANT SUR LE REMPLACEMENT DES JOINTS (ANNUUELLEMENT) ET DES PIÈCES (AU BESOIN). ENGLAND'S STOVE WORKS N'EST PAS RESPONSABLE DES DOMMAGES NI DES BLESSURES, QUELS QU'ILS SOIENT, SUBIS EN RAISON DE NÉGLIGENCE OU À CAUSE D'UNE INSTALLATION OU D'UNE UTILISATION DANGEREUSE DE CE PRODUIT. POUR TOUTE QUESTION, COMMUNIQUEZ AVEC LE SERVICE DE SOUTIEN TECHNIQUE.

REEMPLACEMENT DES PIÈCES

Ventilateur de convection

- Avant de procéder au remplacement d'une pièce, assurez-vous que l'appareil est débranché et complètement refroidi.
- Retirez le panneau arrière (à l'aide d'une clé de 5/16 po), puis repérez le ventilateur de convection.
- Avant d'aller plus loin, détachez le faisceau de câblage du ventilateur de convection.
- Desserrez et retirez les 4 vis de 5/16 po qui fixent l'ensemble de ventilateur au poêle; retirez l'ensemble de ventilateur du poêle.
- L'installation du nouveau ventilateur s'effectue en sens inverse du démontage; n'oubliez pas de reconnecter le nouveau ventilateur au faisceau de câblage. (Lors de l'installation du nouveau ventilateur, placez le moteur du ventilateur de sorte que l'ouverture pointe vers le HAUT, vers la partie supérieure du poêle.)

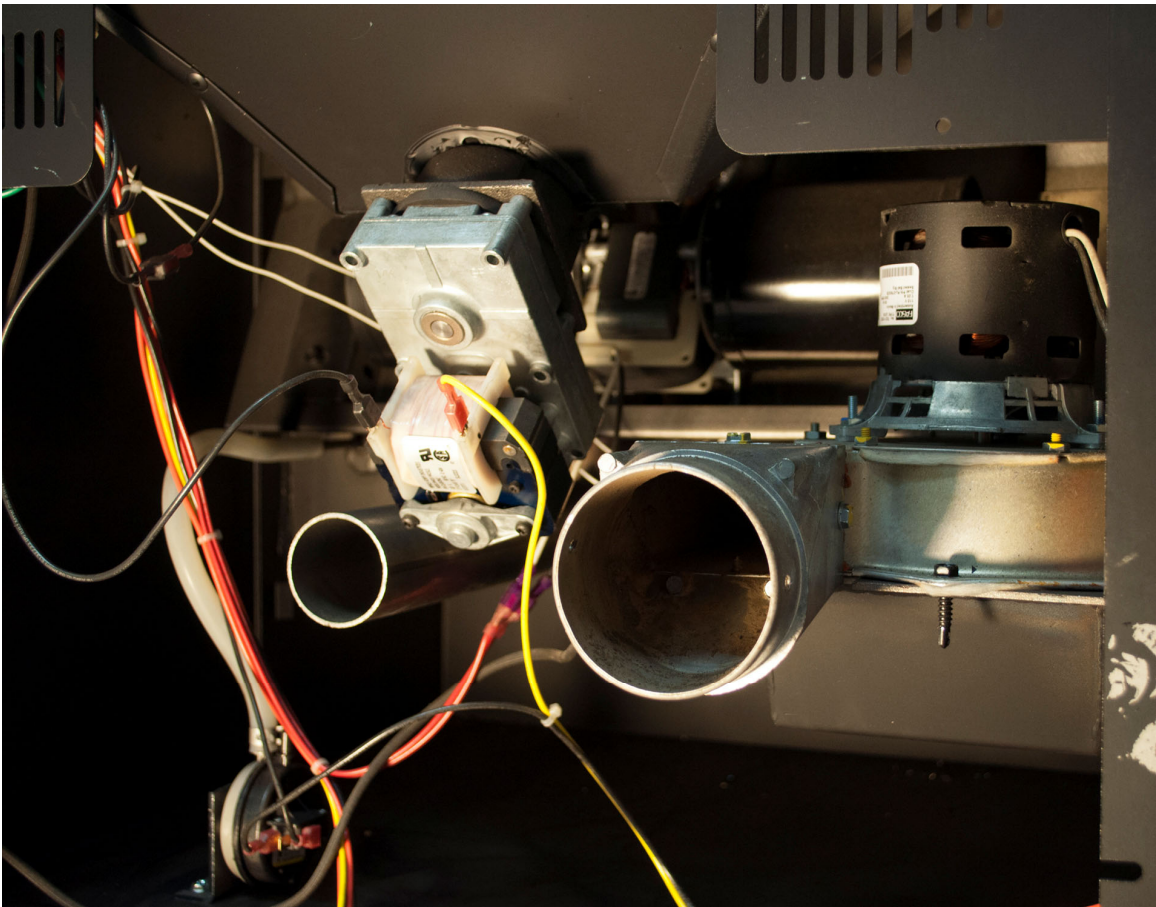


IMPORTANT! LISEZ ET SUIVEZ **TOUTES** LES INSTRUCTIONS POUR L'INSTALLATION ET L'ENTRETIEN, NOTAMMENT CELLES PORTANT SUR LE NETTOYAGE DE L'APPAREIL À EFFECTUER SELON LES DIRECTIVES ET CELLES PORTANT SUR LE REMPLACEMENT DES JOINTS (ANNUELLEMENT) ET DES PIÈCES (AU BESOIN). ENGLAND'S STOVE WORKS N'EST PAS RESPONSABLE DES DOMMAGES NI DES BLESSURES, QUELS QU'ILS SOIENT, SUBIS EN RAISON DE NÉGLIGENCE OU À CAUSE D'UNE INSTALLATION OU D'UNE UTILISATION DANGEREUSE DE CE PRODUIT. POUR TOUTE QUESTION, COMMUNIQUEZ AVEC LE SERVICE DE SOUTIEN TECHNIQUE.

REEMPLACEMENT DES PIÈCES

Ventilateur de combustion

- Avant de procéder au remplacement d'une pièce, assurez-vous que l'appareil est débranché et complètement refroidi.
- Retirez le panneau de gauche et repérez le ventilateur (d'évacuation) de convection.
- Déconnectez le système de ventilation du ventilateur d'évacuation, puis débranchez le ventilateur de combustion du faisceau de câblage du poêle. Pour pouvoir retirer le tuyau de ventilation, il pourrait être nécessaire de retirer le panneau arrière (à l'aide d'une clé de 5/16 po).
- Retirez les 5 vis qui fixent le ventilateur d'évacuation au tube d'évacuation. Retirez le capteur de chaleur qui est fixé à l'aide d'une vis sur le ventilateur d'évacuation. Une fois que vous avez retiré les vis, soulevez le ventilateur et retirez-le du poêle.
- Réinstallez les pièces exactement dans l'ordre inverse; cependant, assurez-vous que vous avez vérifié l'état des joints du ventilateur d'évacuation, et remplacez-les au besoin.

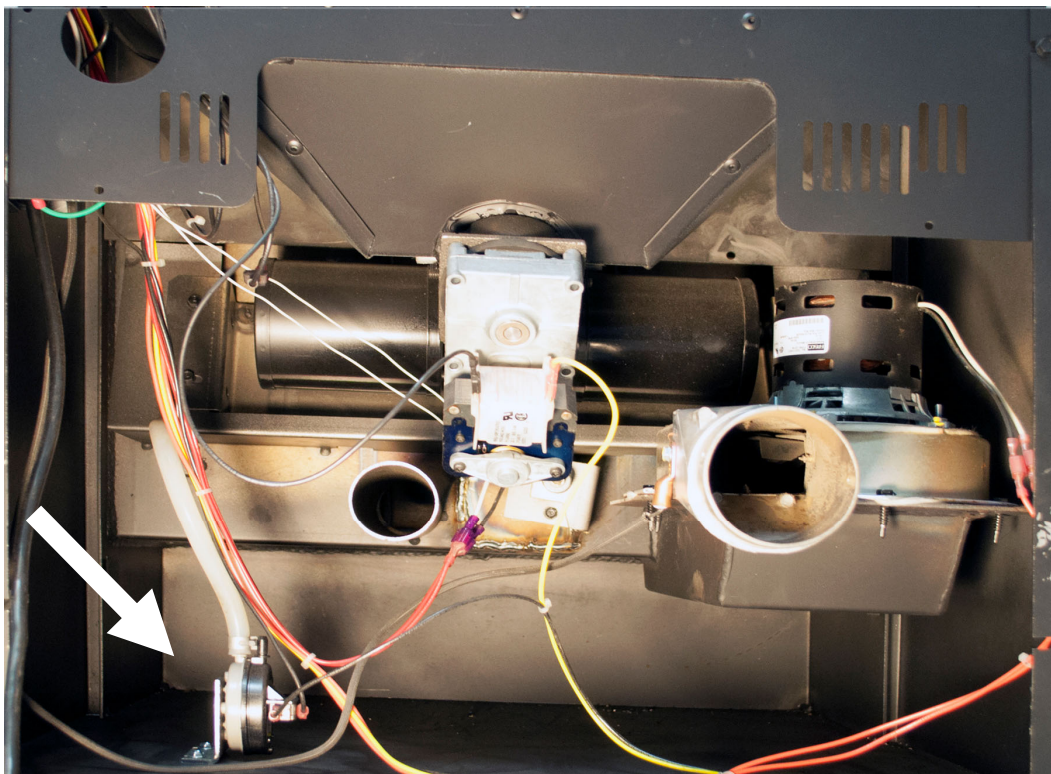


IMPORTANT! LISEZ ET SUIVEZ **TOUTES** LES INSTRUCTIONS POUR L'INSTALLATION ET L'ENTRETIEN, NOTAMMENT CELLES PORTANT SUR LE NETTOYAGE DE L'APPAREIL À EFFECTUER SELON LES DIRECTIVES ET CELLES PORTANT SUR LE REMPLACEMENT DES JOINTS (ANNUUELLEMENT) ET DES PIÈCES (AU BESOIN). ENGLAND'S STOVE WORKS N'EST PAS RESPONSABLE DES DOMMAGES NI DES BLESSURES, QUELS QU'ILS SOIENT, SUBIS EN RAISON DE NÉGLIGENCE OU À CAUSE D'UNE INSTALLATION OU D'UNE UTILISATION DANGEREUSE DE CE PRODUIT. POUR TOUTE QUESTION, COMMUNIQUEZ AVEC LE SERVICE DE SOUTIEN TECHNIQUE.

REEMPLACEMENT DES PIÈCES

Interrupteur de l'aspirateur

- Avant de procéder au remplacement d'une pièce, assurez-vous que l'appareil est débranché et complètement refroidi.
- Retirez le panneau latéral droit (consultez les instructions relatives aux panneaux à la page 43). Le retrait du panneau arrière peut également faciliter l'opération.
- Repérez l'interrupteur de l'aspirateur, comme le montre le schéma ci-dessous.
- Débranchez le faisceau de câbles du poêle et le tuyau de l'aspirateur du détecteur de l'aspirateur, *en notant l'emplacement des branchements*.
- À l'aide d'un tournevis cruciforme, retirez les 2 vis qui fixent le détecteur de l'aspirateur à son support.
- Réinstallez les pièces dans l'ordre inverse; vérifiez soigneusement que les fils et le tuyau de l'aspirateur sont raccordés de la même façon que précédemment (et conformément au schéma de câblage fourni dans ce guide).

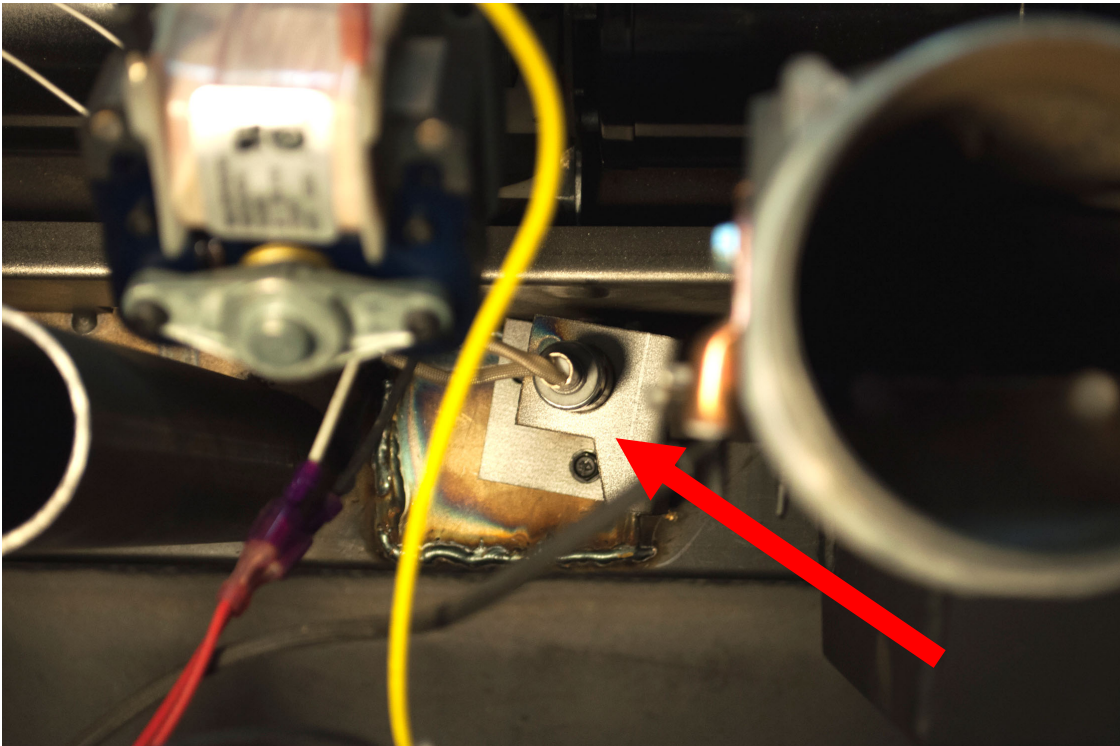


IMPORTANT! LISEZ ET SUIVEZ **TOUTES** LES INSTRUCTIONS POUR L'INSTALLATION ET L'ENTRETIEN, NOTAMMENT CELLES PORTANT SUR LE NETTOYAGE DE L'APPAREIL À EFFECTUER SELON LES DIRECTIVES ET CELLES PORTANT SUR LE REMPLACEMENT DES JOINTS (ANNUELLEMENT) ET DES PIÈCES (AU BESOIN). ENGLAND'S STOVE WORKS N'EST PAS RESPONSABLE DES DOMMAGES NI DES BLESSURES, QUELS QU'ILS SOIENT, SUBIS EN RAISON DE NÉGLIGENCE OU À CAUSE D'UNE INSTALLATION OU D'UNE UTILISATION DANGEREUSE DE CE PRODUIT. POUR TOUTE QUESTION, COMMUNIQUEZ AVEC LE SERVICE DE SOUTIEN TECHNIQUE.

REEMPLACEMENT DES PIÈCES

Allumeur

- Avant de procéder au remplacement d'une pièce, assurez-vous que l'appareil est débranché et complètement refroidi.
- Retirez le panneau arrière de l'appareil à l'aide d'une clé de 5/16 po.
- Repérez l'allumeur, comme le montre le schéma ci-dessous.
- Débranchez le câblage de l'allumeur du panneau de commande et, à l'aide d'une clé de 5/16 po, retirez les deux vis retenant l'ensemble d'allumeur au poêle. Retirez l'ensemble du poêle.
- Desserrez la vis de calage du tube de l'allumeur à l'aide d'une clé hexagonale de 1/8 po, puis retirez l'ancienne cartouche de l'allumeur.
- Installez le nouvel allumeur dans le tube de l'allumeur, resserrez la vis de calage et réinstallez l'ensemble dans le poêle (n'oubliez pas de rebrancher les fils).
- Remplacez le panneau arrière.



IMPORTANT! LISEZ ET SUIVEZ **TOUTES** LES INSTRUCTIONS POUR L'INSTALLATION ET L'ENTRETIEN, NOTAMMENT CELLES PORTANT SUR LE NETTOYAGE DE L'APPAREIL À EFFECTUER SELON LES DIRECTIVES ET CELLES PORTANT SUR LE REMPLACEMENT DES JOINTS (ANNUUELLEMENT) ET DES PIÈCES (AU BESOIN). ENGLAND'S STOVE WORKS N'EST PAS RESPONSABLE DES DOMMAGES NI DES BLESSURES, QUELS QU'ILS SOIENT, SUBIS EN RAISON DE NÉGLIGENCE OU À CAUSE D'UNE INSTALLATION OU D'UNE UTILISATION DANGEREUSE DE CE PRODUIT. POUR TOUTE QUESTION, COMMUNIQUEZ AVEC LE SERVICE DE SOUTIEN TECHNIQUE.

REEMPLACEMENT DES PIÈCES

L'ENTRETIEN INADÉQUAT DES JOINTS, Y COMPRIS LE DÉFAUT DE REMPLACEMENT DES JOINTS, PEUT SE TRADUIRE PAR DES FUITES D'AIR CAUSANT DES RETOURS DE FUMÉE.

Joints

1. Porte

- Cet appareil est muni d'un joint d'étanchéité cordé de 19,05 mm inséré dans la cannelure autour de l'ouverture de la porte, lequel doit être remplacé au moins une fois par année. Pour remplacer le joint d'étanchéité de la porte (pièce n° AC-DGKC), retirez d'abord le vieux joint en entier. Avant d'ajouter le nouvel adhésif, vous devrez peut-être gratter la vieille colle de la cannelure de la porte. Après avoir ajouté de la colle et installé le joint, fermez et verrouillez la porte, et laissez-la ainsi pendant vingt-quatre heures pour que la colle durcisse. Consultez la page suivante pour plus de renseignements.

2. Fenêtre

- Si vous remplacez le joint de la fenêtre (pièce n° AC-GGK), un des côtés du nouveau joint sera déjà enduit de colle. Retirez le papier du côté adhésif et placez le joint autour du bord extérieur de la vitre, centré sur le bord. Repliez les bords du joint sur la vitre en formant un « U ».

3. Ventilateur de combustion

- Inspectez le joint du ventilateur de combustion (pièce n° PU-CBMG) chaque fois que vous retirez ou nettoyez le ventilateur de combustion, et remplacez-le au besoin.

4. Moteur du ventilateur de combustion

- Le joint (pièce n° PU-CBMG) du moteur du ventilateur de combustion n'a généralement pas besoin d'être remplacé, car, normalement, on ne retire pas ce moteur de l'appareil. Cependant, si vous nettoyez le ventilateur d'évacuation en retirant le moteur seulement plutôt que l'ensemble du ventilateur, vous devez inspecter ce joint et le remplacer au besoin.

IMPORTANT! LISEZ ET SUIVEZ **TOUTES** LES INSTRUCTIONS POUR L'INSTALLATION ET L'ENTRETIEN, NOTAMMENT CELLES PORTANT SUR LE NETTOYAGE DE L'APPAREIL À EFFECTUER SELON LES DIRECTIVES ET CELLES PORTANT SUR LE REMPLACEMENT DES JOINTS (ANNUELLEMENT) ET DES PIÈCES (AU BESOIN). ENGLAND'S STOVE WORKS N'EST PAS RESPONSABLE DES DOMMAGES NI DES BLESSURES, QUELS QU'ILS SOIENT, SUBIS EN RAISON DE NÉGLIGENCE OU À CAUSE D'UNE INSTALLATION OU D'UNE UTILISATION DANGEREUSE DE CE PRODUIT. POUR TOUTE QUESTION, COMMUNIQUEZ AVEC LE SERVICE DE SOUTIEN TECHNIQUE.

REEMPLACEMENT DES PIÈCES

Remplacement de la vitre (comprend les instructions de remplacement du joint d'étanchéité de la porte)

1. Retirez la porte du poêle et placez-la sur une surface de travail solide, face vers le bas.
2. À l'aide de pinces, retirez le joint de la porte en le tirant hors de la cannelure.
3. À l'aide d'une clé de 5/16 po, retirez les 4 vis qui tiennent les languettes de la vitre en place sur la porte, puis retirez les languettes.
4. Soulevez l'ancien panneau de verre en le retirant de la porte, puis jetez-le (soyez particulièrement prudent si l'ancienne vitre est brisée ou fissurée).
5. L'emballage du nouveau panneau de verre doit contenir un joint d'étanchéité autoadhésif en fibre de verre (pièce n° AC-GGK). Ce joint sert de coussin entre le verre et les portes et supports en acier.
6. Réinstallez les languettes de la vitre à l'aide des vis retirées précédemment. Évitez de serrer excessivement les vis.
7. Installez le nouveau joint d'étanchéité de la porte (pièce n° AC-DGKC) à l'aide de l'adhésif résistant aux températures élevées qui est fourni.
8. Réinstallez la porte sur le poêle et fermez-la bien. Laissez l'adhésif sécher pendant 24 heures.

Caractéristiques de la vitre en vitrocéramique

- Dimensions de la vitre : 231,77 mm x 231,77 mm (9.125 po x 9.125 po)
- Type de verre : vitrocéramique de 5 mm (Keralite/Pyroceram)
- Fabricant du verre : Eurokera

Précautions relatives à la vitre

- Ne remplacez jamais la vitre en vitrocéramique par une vitre en verre trempé ou tout autre type de verre.
- Ne faites jamais fonctionner cet appareil lorsque sa vitre est fissurée ou brisée.
- Ne claquez pas la porte et ne frappez pas la vitre avec un objet.

Nettoyage de la vitre

1. Assurez-vous que le poêle **et** que la vitre sont complètement refroidis.
2. Il y a généralement peu de dépôts sur la vitre et ils peuvent habituellement être nettoyés avec de l'eau.
Si la suie se fait tenace, utilisez un nettoyant spécialement conçu pour l'enlever. Vous ne devez pas gratter la vitre ni la nettoyer avec un produit abrasif.
3. Rincez la vitre avec de l'eau propre et séchez-la avant de faire fonctionner le poêle à nouveau.

IMPORTANT! LISEZ ET SUIVEZ **TOUTES** LES INSTRUCTIONS POUR L'INSTALLATION ET L'ENTRETIEN, NOTAMMENT CELLES PORTANT SUR LE NETTOYAGE DE L'APPAREIL À EFFECTUER SELON LES DIRECTIVES ET CELLES PORTANT SUR LE REMPLACEMENT DES JOINTS (ANNUELLEMENT) ET DES PIÈCES (AU BESOIN). ENGLAND'S STOVE WORKS N'EST PAS RESPONSABLE DES DOMMAGES NI DES BLESSURES, QUELS QU'ILS SOIENT, SUBIS EN RAISON DE NÉGLIGENCE OU À CAUSE D'UNE INSTALLATION OU D'UNE UTILISATION DANGEREUSE DE CE PRODUIT. POUR TOUTE QUESTION, COMMUNIQUEZ AVEC LE SERVICE DE SOUTIEN TECHNIQUE.

REPLACEMENT DES PIÈCES

Panneau de commande

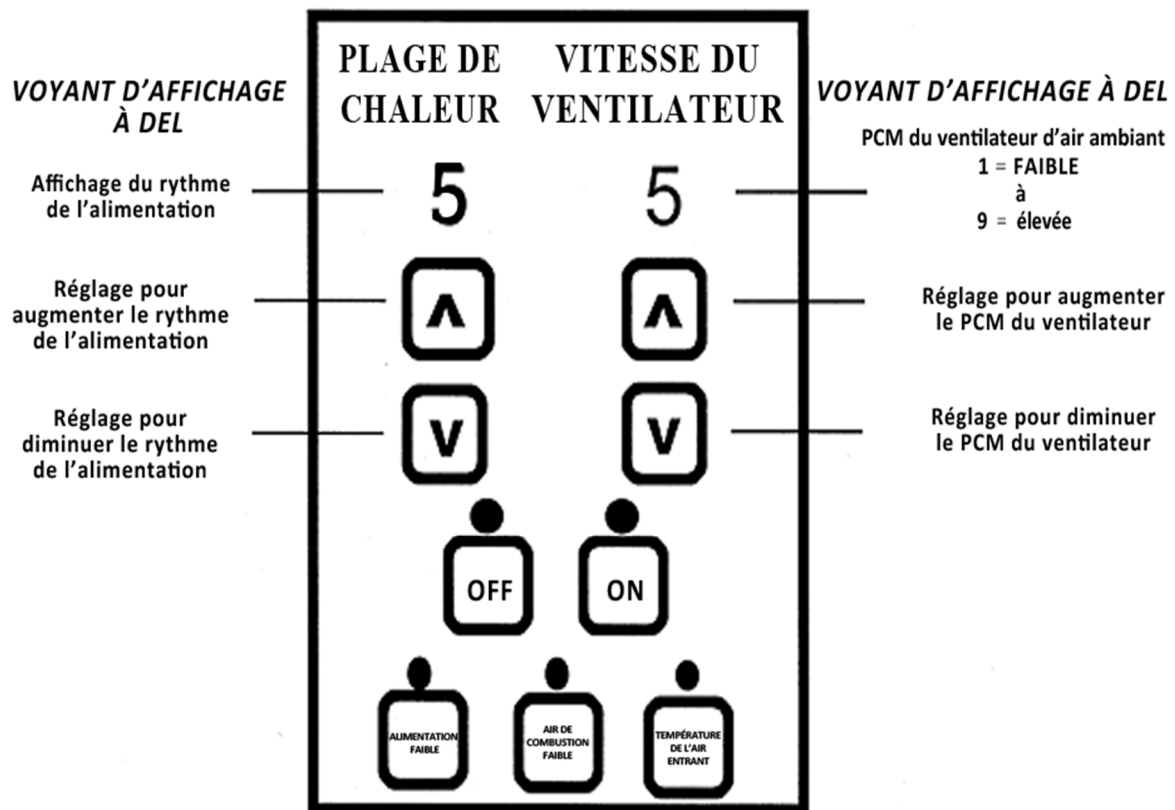
Le panneau de commande (pièce n° PU-CB19) est un panneau d'affichage numérique. Ce panneau comprend plusieurs réglages qui aident à faire fonctionner l'appareil. Avant de retirer le panneau de commande, enlevez le panneau latéral droit à l'aide d'un tournevis à douille ou d'une clé de 5/16 po. Pour retirer le panneau de commande de l'appareil, desserrez les deux vis externes et poussez le panneau vers l'intérieur du poêle. Le panneau de commande utilise un fusible à action rapide de 6 A.

REMARQUE : Les trois boutons de commande inférieurs sont pré-réglés en usine et ne doivent pas être réglés par les utilisateurs. Consultez la section « Utilisation quotidienne » à la page 18 du présent guide pour plus d'instructions sur les réglages du panneau de commande.

Plages de chaleur recommandées :

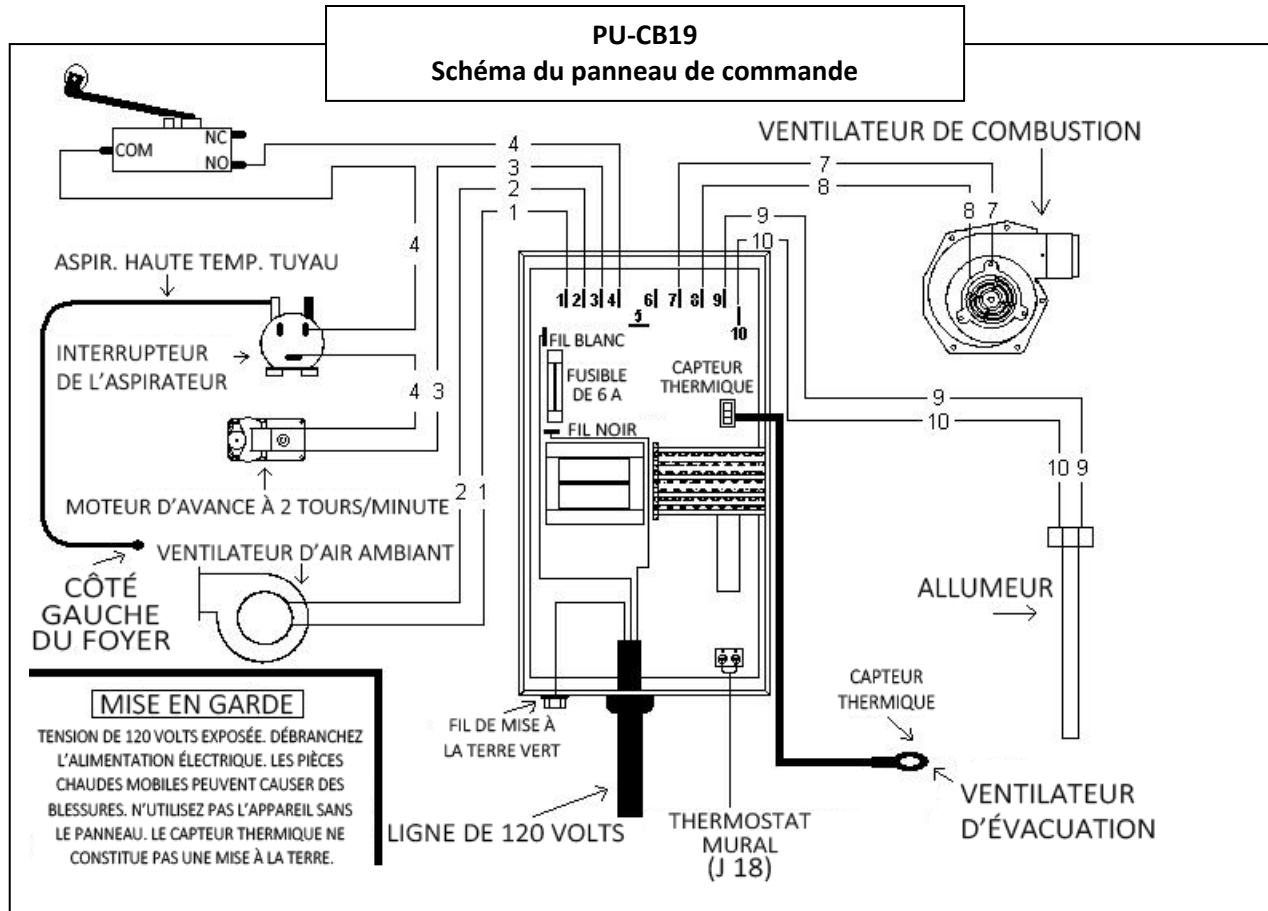
Combustion faible :	Réglage de plage de chaleur : 1	Réglage du ventilateur d'air ambiant : 1
Moyennement faible :	Réglage de plage de chaleur : 2 – 3	Réglage du ventilateur d'air ambiant : *
Moyennement élevée :	Réglage de plage de chaleur : 4 – 8	Réglage du ventilateur d'air ambiant : *
Combustion maximale :	Réglage de plage de chaleur : 9	Réglage du ventilateur d'air ambiant : 9

* REMARQUE : La vitesse du ventilateur s'ajustera automatiquement en fonction de la plage de chaleur que vous sélectionnez.



IMPORTANT! LISEZ ET SUIVEZ **TOUTES** LES INSTRUCTIONS POUR L'INSTALLATION ET L'ENTRETIEN, NOTAMMENT CELLES PORTANT SUR LE NETTOYAGE DE L'APPAREIL À EFFECTUER SELON LES DIRECTIVES ET CELLES PORTANT SUR LE REMPLACEMENT DES JOINTS (ANNUUELLEMENT) ET DES PIÈCES (AU BESOIN). ENGLAND'S STOVE WORKS N'EST PAS RESPONSABLE DES DOMMAGES NI DES BLESSURES, QUELS QU'ILS SOIENT, SUBIS EN RAISON DE NÉGLIGENCE OU À CAUSE D'UNE INSTALLATION OU D'UNE UTILISATION DANGEREUSE DE CE PRODUIT. POUR TOUTE QUESTION, COMMUNIQUEZ AVEC LE SERVICE DE SOUTIEN TECHNIQUE.

SCHÉMA DE CÂBLAGE



Attention – risque de choc électrique

- Appuyez sur le bouton « OFF » (arrêt) et laissez l'appareil se refroidir complètement AVANT de le débrancher et de procéder à son entretien ou au remplacement d'une pièce.
- Risque de choc électrique si l'appareil n'est pas débranché avant son entretien.

IMPORTANT! LISEZ ET SUIVEZ **TOUTES** LES INSTRUCTIONS POUR L'INSTALLATION ET L'ENTRETIEN, NOTAMMENT CELLES PORTANT SUR LE NETTOYAGE DE L'APPAREIL À EFFECTUER SELON LES DIRECTIVES ET CELLES PORTANT SUR LE REMPLACEMENT DES JOINTS (ANNUELLEMENT) ET DES PIÈCES (AU BESOIN). ENGLAND'S STOVE WORKS N'EST PAS RESPONSABLE DES DOMMAGES NI DES BLESSURES, QUELS QU'ILS SOIENT, SUBIS EN RAISON DE NÉGLIGENCE OU À CAUSE D'UNE INSTALLATION OU D'UNE UTILISATION DANGEREUSE DE CE PRODUIT. POUR TOUTE QUESTION, COMMUNIQUEZ AVEC LE SERVICE DE SOUTIEN TECHNIQUE.

CHARNIÈRES DU COUVERCLE DE LA TRÉMIE

Le couvercle de la trémie est fixé sur la partie supérieure du poêle à l'aide de deux charnières amovibles.

Pour enlever les charnières du couvercle de la trémie :

- À l'aide d'une douille de 5/16 po, retirez les 4 vis qui tiennent chaque charnière en place.
- Réinstallez les charnières en suivant la méthode inverse.



POIGNÉE DU COUVERCLE DE LA TRÉMIE

La poignée du couvercle de la trémie s'enclenche dans l'ouverture du couvercle de la trémie.

Pour enlever la poignée du couvercle de la trémie :

- Soulevez le couvercle de la trémie (en position ouverte).
- Poussez le bas de la poignée vers le haut et celle-ci ressortira.
- Pour installer une nouvelle poignée, insérez cette dernière sur le dessus du couvercle de la trémie et appuyez jusqu'à ce que la poignée s'enclenche.



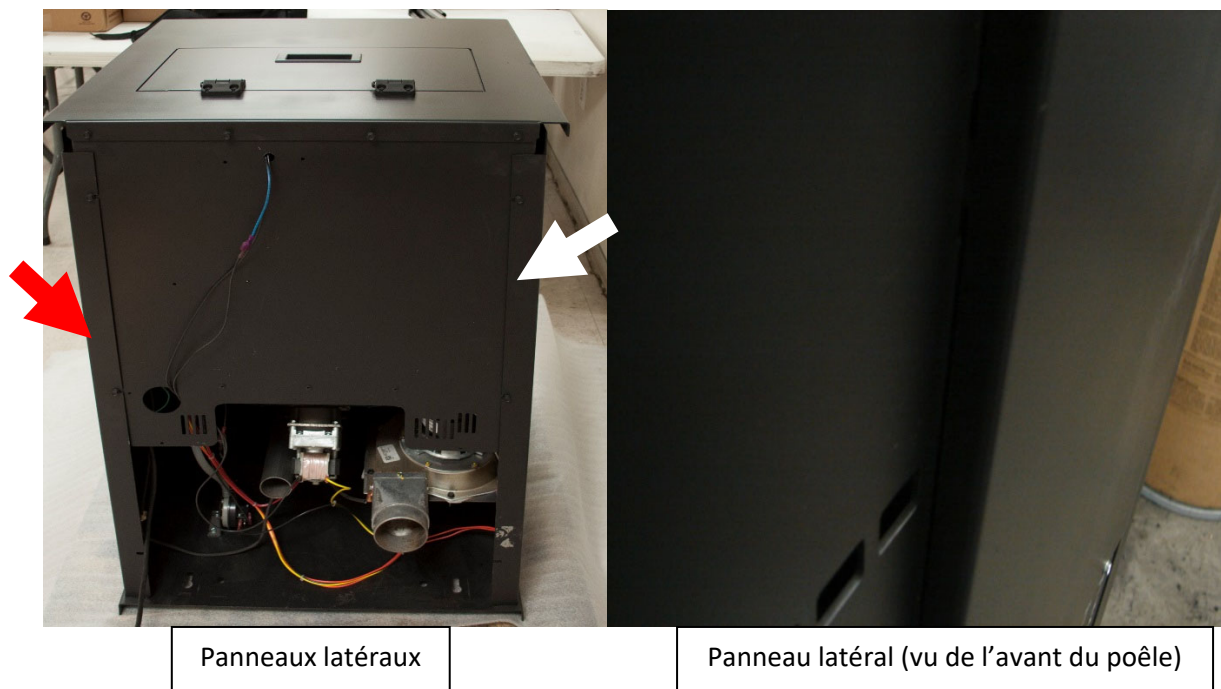
IMPORTANT! LISEZ ET SUIVEZ **TOUTES** LES INSTRUCTIONS POUR L'INSTALLATION ET L'ENTRETIEN, NOTAMMENT CELLES PORTANT SUR LE NETTOYAGE DE L'APPAREIL À EFFECTUER SELON LES DIRECTIVES ET CELLES PORTANT SUR LE REMPLACEMENT DES JOINTS (ANNUELLEMENT) ET DES PIÈCES (AU BESOIN). ENGLAND'S STOVE WORKS N'EST PAS RESPONSABLE DES DOMMAGES NI DES BLESSURES, QUELS QU'ILS SOIENT, SUBIS EN RAISON DE NÉGLIGENCE OU À CAUSE D'UNE INSTALLATION OU D'UNE UTILISATION DANGEREUSE DE CE PRODUIT. POUR TOUTE QUESTION, COMMUNIQUEZ AVEC LE SERVICE DE SOUTIEN TECHNIQUE.

PANNEAUX LATÉRAUX

Les panneaux latéraux ont été conçus pour pendre sur les côtés du poêle. Ils peuvent facilement être enlevés afin d'effectuer un nettoyage normal (et tout entretien qui doit être fait à l'arrière du poêle).

Pour retirer un panneau latéral :

- Desserrez les 3 vis de 5/16 po qui fixent le panneau latéral à l'arrière du poêle (NE LES ENLEVEZ PAS).
- Tenez le panneau et tirez jusqu'à ce que vous le retiriez des glissières, puis sortez-le du poêle.
- Réinstallez les panneaux latéraux en suivant la méthode inverse.

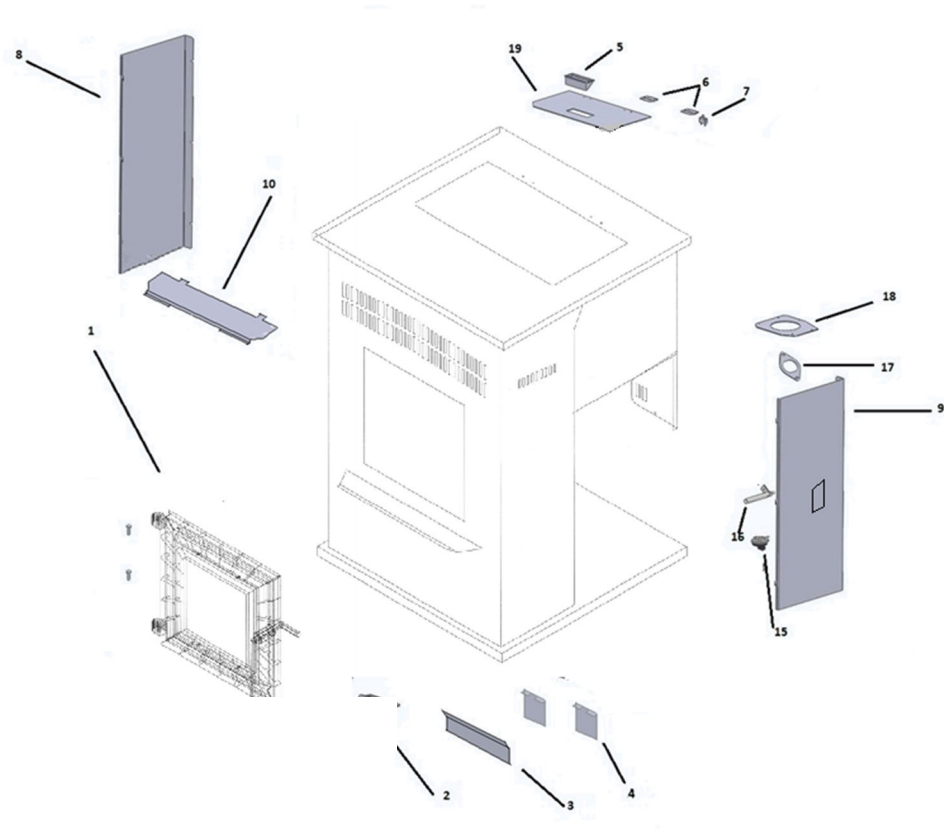


FIN!

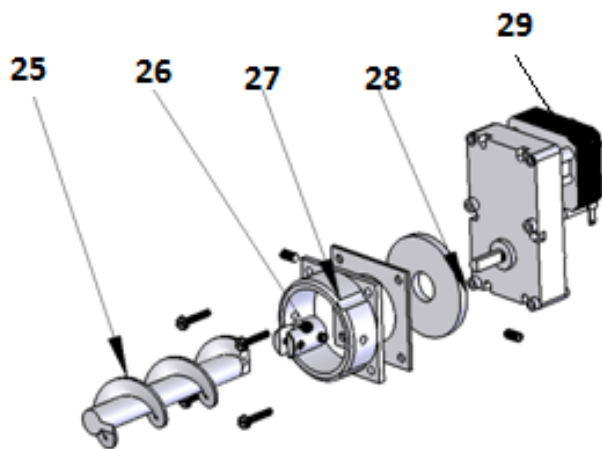
Ce nouvel appareil a été peint avec de la peinture haute température qui devrait conserver son aspect d'origine pendant des années. Si l'appareil est mouillé et que des taches de rouille apparaissent, vous pouvez les poncer avec de la laine d'acier fine et repeindre l'appareil. Il est important de n'utiliser que de la peinture en aérosol haute température (pièce n° AC-MBSP), car les autres types de peinture pourraient ne pas adhérer à la surface ou ne pas supporter les températures élevées. De même, certaines marques de peinture n'adhèrent pas à certaines autres marques de peinture; par conséquent, nous vous recommandons fortement d'utiliser notre peinture en aérosol haute température exclusive.

IMPORTANT! LISEZ ET SUIVEZ **TOUTES** LES INSTRUCTIONS POUR L'INSTALLATION ET L'ENTRETIEN, NOTAMMENT CELLES PORTANT SUR LE NETTOYAGE DE L'APPAREIL À EFFECTUER SELON LES DIRECTIVES ET CELLES PORTANT SUR LE REMPLACEMENT DES JOINTS (ANNUELLEMENT) ET DES PIÈCES (AU BESOIN). ENGLAND'S STOVE WORKS N'EST PAS RESPONSABLE DES DOMMAGES NI DES BLESSURES, QUELS QU'ILS SOIENT, SUBIS EN RAISON DE NÉGLIGENCE OU À CAUSE D'UNE INSTALLATION OU D'UNE UTILISATION DANGEREUSE DE CE PRODUIT. POUR TOUTE QUESTION, COMMUNIQUEZ AVEC LE SERVICE DE SOUTIEN TECHNIQUE.

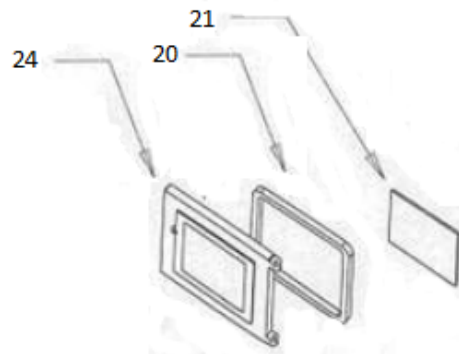
SCHÉMA DES PIÈCES



Ensemble du moteur de la vis à granules



Ensemble de porte



IMPORTANT! LISEZ ET SUIVEZ **TOUTES** LES INSTRUCTIONS POUR L'INSTALLATION ET L'ENTRETIEN, NOTAMMENT CELLES PORTANT SUR LE NETTOYAGE DE L'APPAREIL À EFFECTUER SELON LES DIRECTIVES ET CELLES PORTANT SUR LE REMPLACEMENT DES JOINTS (ANNUUELLEMENT) ET DES PIÈCES (AU BESOIN). ENGLAND'S STOVE WORKS N'EST PAS RESPONSABLE DES DOMMAGES NI DES BLESSURES, QUELS QU'ILS SOIENT, SUBIS EN RAISON DE NÉGLIGENCE OU À CAUSE D'UNE INSTALLATION OU D'UNE UTILISATION DANGEREUSE DE CE PRODUIT. POUR TOUTE QUESTION, COMMUNIQUEZ AVEC LE SERVICE DE SOUTIEN TECHNIQUE.

LISTE DES PIÈCES DE RECHANGE

N° de pièce	Description	N° dans le schéma
BM-1288	Ventilateur d'air ambiant	Non illustré
CU-047042	Moteur de vis à granules, rotation dans le sens des aiguilles d'une montre, 2,4 tr/min	29
PU-076002B	Ventilateur d'évacuation de combustion (nég)	Non illustré
AC-DGKC	Joint d'étanchéité de porte	20
PU-HLSB	Interrupteur de sécurité du couvercle de la trémie	7
CU-VS	Interrupteur de l'aspirateur 0,05	15
PU-CB19	Panneau de commande	Non illustré
R-WIRE-H06	Faisceau de câblage du panneau de commande	Non illustré
AC-HPS	Axe de charnière (qté : 2)	1
AC-MBSP	Peinture du poêle	Non illustré
AC-SHN	Poignée à ressort en nickel	Non illustré
CA-AC	Raccord de la vis à granules	26
CA-AMPP	Plaque de montage de la vis à granules	27
PU-AFS	Vis à granules en acier	25
AC-CHAPAH	Ensemble d'allumeur	16
PU-IH	Charnière du couvercle de la trémie	6
PU-VH	Tuyau de l'aspirateur	Non illustré
AC-GGK	Joint de la vitre	Non illustré
AC-G9	Porte vitrée	21
AC-GS19	Languettes de la vitre	Non illustré
AC-HLH	Poignée du couvercle de la trémie	5
AC-PAHTB	Défecteur supérieur	10
AC-SSDTG	Joint du tube de descente	17
CA-19A	Porte en fonte	24
PU-BPAH	Pot de combustion	2
PU-CBMG	Joint du ventilateur et du moteur de combustion	18
PU-SSACP	Couvercle de la vis à granules	Non illustré
PU-ECPCB120	Couvercle d'orifice de nettoyage du tube d'échange de chaleur (qté : 2)	4
PU-RABMP	Plaque de montage du ventilateur d'air ambiant	Non illustré
CU-RG	Amortisseur de vibration en caoutchouc	28
PU-RSP	Panneau latéral droit	9

IMPORTANT! LISEZ ET SUIVEZ **TOUTES** LES INSTRUCTIONS POUR L'INSTALLATION ET L'ENTRETIEN, NOTAMMENT CELLES PORTANT SUR LE NETTOYAGE DE L'APPAREIL À EFFECTUER SELON LES DIRECTIVES ET CELLES PORTANT SUR LE REMPLACEMENT DES JOINTS (ANNUELLEMENT) ET DES PIÈCES (AU BESOIN). ENGLAND'S STOVE WORKS N'EST PAS RESPONSABLE DES DOMMAGES NI DES BLESSURES, QUELS QU'ILS SOIENT, SUBIS EN RAISON DE NÉGLIGENCE OU À CAUSE D'UNE INSTALLATION OU D'UNE UTILISATION DANGEREUSE DE CE PRODUIT. POUR TOUTE QUESTION, COMMUNIQUEZ AVEC LE SERVICE DE SOUTIEN TECHNIQUE.

PU-LSP	Panneau latéral gauche	8
PU-SSHL	Couvercle de la trémie	19
PU-CBAWB	Barre d'évacuation d'air	3
PU-SSRP	Panneau arrière	Non illustré
AC-CT	Outil de nettoyage	Non illustré
PU-CHA	Ensemble de cartouche (allumeur)	Non illustré

Vous pouvez inscrire la date de fabrication et le numéro de série de votre appareil dans les espaces prévus à cet effet sur cette étiquette (page suivante), pour référence ultérieure. Cette étiquette comprend également des renseignements de sécurité, comme les normes d'essai UL, ULC, etc., à l'intention de vos agents locaux ou de toute autre personne qui peut en avoir besoin.

IMPORTANT! LISEZ ET SUIVEZ **TOUTES** LES INSTRUCTIONS POUR L'INSTALLATION ET L'ENTRETIEN, NOTAMMENT CELLES PORTANT SUR LE NETTOYAGE DE L'APPAREIL À EFFECTUER SELON LES DIRECTIVES ET CELLES PORTANT SUR LE REMPLACEMENT DES JOINTS (ANNUELLEMENT) ET DES PIÈCES (AU BESOIN). ENGLAND'S STOVE WORKS N'EST PAS RESPONSABLE DES DOMMAGES NI DES BLESSURES, QUELS QU'ILS SOIENT, SUBIS EN RAISON DE NÉGLIGENCE OU À CAUSE D'UNE INSTALLATION OU D'UNE UTILISATION DANGEREUSE DE CE PRODUIT. POUR TOUTE QUESTION, COMMUNIQUEZ AVEC LE SERVICE DE SOUTIEN TECHNIQUE.



Intertek

W/N# 21948

Modèle 25-CBPAH 55-SHPCBPAH 55-TRPCBPAH

Poêle à granules de bois; modèle autoportant pouvant être utilisé dans les maisons transportables

Homologué UL 1482/ASTM E 1509/ULC S627, ASTM E2779, ASTM E2515, CSA B415.1

Fabriqué par :
England's Stove Works, Inc.
589 S. Five Forks Rd.
Monroe, VA 24574

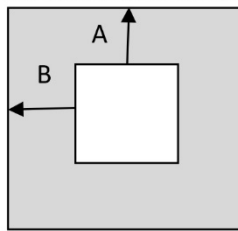
Date de fabrication	
Numéro de série	

PREVENTION DES RISQUES D'INCENDIE

- Installez et utilisez cet appareil uniquement conformément au guide d'utilisation qui l'accompagne.
- Contactez les autorités locales en matière de construction ou le service d'incendie pour en savoir plus à propos des restrictions et des inspections d'installations dans votre région.
- À utiliser uniquement avec des granules de bois d'un diamètre de 6,35 mm.
- Ne raccordez pas ce poêle à un conduit de fumée déjà utilisé pour un autre appareil.
- La porte principale du poêle et la porte de retrait de la cendre doivent rester bien fermées pendant que l'appareil fonctionne.
- Débit calorifique : 2 kg/h
- Taux d'émission : 1,47 g/h
- Certifié conforme aux normes de 2020 sur l'émission de particules lors de l'utilisation de granules de bois par l'ENVIRONMENTAL PROTECTION AGENCY des États-Unis.
- Norme d'essai des États-Unis : règlement 40 CFR de l'EPA des États-Unis, article 60-2015
- Utilisez uniquement un tuyau de ventilation pour poêle à granules de type L ou de type P approuvé.
- Vérifiez et nettoyez le système d'évacuation régulièrement.

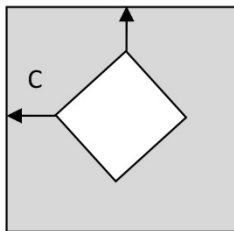
EXIGENCES RELATIVES À L'INSTALLATION D'UN APPAREIL AUTOPORTANT – Reportez-vous à la réglementation locale et aux instructions du fabricant de la cheminée pour connaître les précautions à prendre si vous faites passer une cheminée au travers d'un mur ou d'un plafond combustible. Disposez un protecteur de plancher incombustible qui dépasse de 15,24 cm à l'avant et de chaque côté de l'ouverture pour l'alimentation en granules. Consultez le guide d'utilisation pour en savoir plus sur le dégagement.

Paroi arrière et paroi latérale



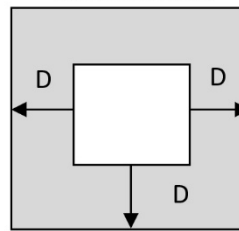
A = 0 cm (0 po)
C = 15,24 cm (6 po)

Coin



B = 20,32 cm (8 po)
D = 15,24 cm (6 po)

Protection du sol



CARACTÉRISTIQUES ÉLECTRIQUES : 5 A, 115 V, 60 Hz. DISPOSEZ LE CORDON D'ALIMENTATION DE TELLE SORTE QU'IL N'ENTRE PAS EN CONTACT AVEC DES SURFACES CHAUDES ET QU'IL NE PASSE PAS DEVANT L'APPAREIL.

Reportez-vous au répertoire des produits de construction d'Intertek pour des informations détaillées (<https://bpdirectory.intertek.com>).

ATTENTION – Les pièces mobiles peuvent causer des blessures. N'utilisez pas l'appareil si les panneaux ne sont pas en place.

ATTENTION – Pièces chaudes. N'utilisez pas l'appareil si les panneaux ne sont pas en place.

DANGER – Risque de décharge électrique. Coupez l'alimentation avant d'effectuer l'entretien de l'appareil.

ATTENTION – N'utilisez cet appareil qu'avec le couvercle de la trémie fermé. Sinon, des produits de combustion pourraient être émis dans certaines conditions. Maintenez le joint d'étanchéité de la trémie en bon état. Évitez de remplir la trémie de façon excessive.

Afin d'assurer le bon fonctionnement du poêle à bois, vous devez l'inspecter et le réparer périodiquement. Consultez le guide d'utilisation pour obtenir de plus amples renseignements. En vertu des règlements fédéraux, il est interdit d'utiliser ce poêle à bois d'une manière non conforme au mode d'emploi indiqué dans le guide d'utilisation.



ATTENTION – CET APPAREIL DEVIENT CHAUD LORSQU'IL EST EN MARCHÉ. N'Y TOUCHEZ PAS. MAINTENEZ-LE À BONNE DISTANCE DES MEUBLES ET DES VÊTEMENTS ET HORS DE PORTÉE DES ENFANTS. LE CONTACT AVEC L'APPAREIL PEUT BRÛLER LA PEAU. CONSULTEZ LA PLAQUE SIGNALÉTIQUE ET LES INSTRUCTIONS.

IMPORTANT! LISEZ ET SUIVEZ **TOUTES** LES INSTRUCTIONS POUR L'INSTALLATION ET L'ENTRETIEN, NOTAMMENT CELLES PORTANT SUR LE NETTOYAGE DE L'APPAREIL À EFFECTUER SELON LES DIRECTIVES ET CELLES PORTANT SUR LE REMPLACEMENT DES JOINTS (ANNUELLEMENT) ET DES PIÈCES (AU BESOIN). ENGLAND'S STOVE WORKS N'EST PAS RESPONSABLE DES DOMMAGES NI DES BLESSURES, QUELS QU'ILS SOIENT, SUBIS EN RAISON DE NÉGLIGENCE OU À CAUSE D'UNE INSTALLATION OU D'UNE UTILISATION DANGEREUSE DE CE PRODUIT. POUR TOUTE QUESTION, COMMUNIQUEZ AVEC LE SERVICE DE SOUTIEN TECHNIQUE.

GARANTIE LIMITÉE DE CINQ (5) ANS

À partir de la date d'achat par le propriétaire d'origine.

Numéros de modèle 25-CBPAH/55-SHPCBPAH/55-TRPCBPAH

La garantie limitée du fabricant couvre les éléments ci-dessous.

Cinq ans :

1. Les joints d'acier au carbone et les joints soudés du foyer sont garantis pendant cinq (5) ans contre le fendillement.
2. La porte et les charnières en acier sont garanties pendant cinq (5) ans contre la fissuration.

Un an :

1. Les pièces telles que la trémie, la vis à granules, le pot de combustion, l'axe de la vis à granules et les fixations sont garanties pendant un (1) an contre les fissures, les brisures et le fendillement des joints soudés.
2. Les composants électriques, les accessoires, le verre et la surface peinte du poêle sont garantis pendant un (1) an à partir de la date d'achat.

Conditions et exclusions

1. Les dommages découlant d'un emballage annulent votre garantie.
2. Cette garantie ne s'applique pas si les dommages découlent d'un accident, d'une manipulation inadéquate, d'une installation inadéquate, d'une utilisation inadéquate, d'abus, d'une réparation non autorisée ou d'une tentative de réparation non autorisée.
3. Le fabricant n'est pas responsable des dommages indirects, accessoires ou consécutifs découlant du produit, y compris les coûts ou dépenses, la fourniture de matériel de rechange ou la réparation pendant les périodes de mauvais fonctionnement ou de non-utilisation du produit*.
4. Le fabricant déclinera toute responsabilité pour les dommages indirects en cas de violation de toute garantie écrite ou implicite.
5. Ce produit est homologué par l'EPA pour son utilisation de granules de bois de qualité supérieure. La garantie ne s'applique pas si le produit est utilisé pour brûler des matériaux non conformes à son homologation par l'EPA. La garantie ne s'applique pas si le produit n'est pas utilisé conformément au guide d'utilisation.

IMPORTANT! LISEZ ET SUIVEZ TOUTES LES INSTRUCTIONS POUR L'INSTALLATION ET L'ENTRETIEN, NOTAMMENT CELLES PORTANT SUR LE NETTOYAGE DE L'APPAREIL À EFFECTUER SELON LES DIRECTIVES ET CELLES PORTANT SUR LE REMPLACEMENT DES JOINTS (ANNUELLEMENT) ET DES PIÈCES (AU BESOIN). ENGLAND'S STOVE WORKS N'EST PAS RESPONSABLE DES DOMMAGES NI DES BLESSURES, QUELS QU'ILS SOIENT, SUBIS EN RAISON DE NÉGLIGENCE OU À CAUSE D'UNE INSTALLATION OU D'UNE UTILISATION DANGEREUSE DE CE PRODUIT. POUR TOUTE QUESTION, COMMUNIQUEZ AVEC LE SERVICE DE SOUTIEN TECHNIQUE.

* Certains États ou certaines provinces ne permettent pas l'exclusion ou la limitation des dommages accessoires ou consécutifs, de sorte que les exclusions mentionnées ci-dessus peuvent ne pas s'appliquer à vous.

Procédure

L'acheteur doit soumettre une réclamation de défaut pendant la période de garantie et payer le transport vers un centre de service et à partir d'un centre de service désigné par le fabricant. Le revendeur qui a vendu l'appareil ou le fabricant, à notre gré, effectuera la réparation sous garantie.

Autres droits

Cette garantie vous confère des droits précis. Il est possible que vous disposiez également d'autres droits, qui varient d'un État ou d'une province à l'autre.

England's Stove Works, Inc.

P.O. Box 206

Monroe, VA 24574

1 800 245-6489

Pour effectuer une réclamation au titre de la garantie, veuillez communiquer avec notre service de soutien technique au 1 800 245-6489. Vous pouvez également effectuer une réclamation au titre de la garantie sur le site www.heatredefined.com

Dans le cas des pièces, les procédures de remplacement au titre de la garantie se trouvent sur le site de notre magasin de pièces : heatredefined.com

IMPORTANT! LISEZ ET SUIVEZ **TOUTES** LES INSTRUCTIONS POUR L'INSTALLATION ET L'ENTRETIEN, NOTAMMENT CELLES PORTANT SUR LE NETTOYAGE DE L'APPAREIL À EFFECTUER SELON LES DIRECTIVES ET CELLES PORTANT SUR LE REMPLACEMENT DES JOINTS (ANNUELLEMENT) ET DES PIÈCES (AU BESOIN). ENGLAND'S STOVE WORKS N'EST PAS RESPONSABLE DES DOMMAGES NI DES BLESSURES, QUELS QU'ILS SOIENT, SUBIS EN RAISON DE NÉGLIGENCE OU À CAUSE D'UNE INSTALLATION OU D'UNE UTILISATION DANGEREUSE DE CE PRODUIT. POUR TOUTE QUESTION, COMMUNIQUEZ AVEC LE SERVICE DE SOUTIEN TECHNIQUE.

Avis important

L'information d'enregistrement **DOIT** être versée dans nos dossiers pour que la présente garantie soit valide. Veuillez nous envoyer cette information dans les trente (30) jours suivant la date d'achat initiale.

Il y a trois moyens faciles de nous faire parvenir cette information.

Adresse postale

England's Stove Works, Inc.

Technical support Department

P.O. Box 206

Monroe, Virginia 24574, États-Unis

Veuillez noter : Cette garantie sera nulle et non avenue si l'acheteur n'envoie pas la carte d'enregistrement de la garantie ci-jointe ET une copie du reçu dans les trente (30) jours, à compter de la date d'achat.

Cette garantie est non transférable.

Par télécopieur au numéro suivant :

1 434 929-4810 – 24 heures par jour

Enregistrement en ligne :

Pour vous inscrire en ligne, visitez notre site Web pour l'enregistrement de la garantie à l'adresse

<http://www.heatredefined.com>

IMPORTANT! LISEZ ET SUIVEZ **TOUTES** LES INSTRUCTIONS POUR L'INSTALLATION ET L'ENTRETIEN, NOTAMMENT CELLES PORTANT SUR LE NETTOYAGE DE L'APPAREIL À EFFECTUER SELON LES DIRECTIVES ET CELLES PORTANT SUR LE REMPLACEMENT DES JOINTS (ANNUELLEMENT) ET DES PIÈCES (AU BESOIN). ENGLAND'S STOVE WORKS N'EST PAS RESPONSABLE DES DOMMAGES NI DES BLESSURES, QUELS QU'ILS SOIENT, SUBIS EN RAISON DE NÉGLIGENCE OU À CAUSE D'UNE INSTALLATION OU D'UNE UTILISATION DANGEREUSE DE CE PRODUIT. POUR TOUTE QUESTION, COMMUNIQUEZ AVEC LE SERVICE DE SOUTIEN TECHNIQUE.

ENREGISTREMENT DE LA GARANTIE sur les produits England's Stove works®

Renseignements sur l'acheteur*

I. Nom de l'acheteur _____

II. Adresse _____

III. Ville _____ Province _____ Code postal _____

IV. Numéro de téléphone _____

V. Courriel _____

Renseignements sur le détaillant*

VI. Nom du détaillant _____

VII. Adresse _____

VIII. Ville _____ Province _____ Code postal _____

Renseignements sur l'appareil*

IX. Numéro de modèle _____ Date d'achat _____

X. Prix d'achat _____

XI. Numéro de série _____ Date de fabrication _____

Questions relatives à l'achat

Comment avez-vous entendu parler de notre produit? (Veuillez cocher l'une des réponses suivantes.)

De bouche à oreille _____ Démonstration _____ Internet _____

Autre : _____

À quel endroit vous a-t-on donné des renseignements sur notre produit?

Au téléphone _____ Chez un détaillant (nom du détaillant) _____ Internet _____

Autre : _____

*** Renseignements nécessaires**

IMPORTANT! LISEZ ET SUIVEZ **TOUTES** LES INSTRUCTIONS POUR L'INSTALLATION ET L'ENTRETIEN, NOTAMMENT CELLES PORTANT SUR LE NETTOYAGE DE L'APPAREIL À EFFECTUER SELON LES DIRECTIVES ET CELLES PORTANT SUR LE REMPLACEMENT DES JOINTS (ANNUUELLEMENT) ET DES PIÈCES (AU BESOIN). ENGLAND'S STOVE WORKS N'EST PAS RESPONSABLE DES DOMMAGES NI DES BLESSURES, QUELS QU'ILS SOIENT, SUBIS EN RAISON DE NÉGLIGENCE OU À CAUSE D'UNE INSTALLATION OU D'UNE UTILISATION DANGEREUSE DE CE PRODUIT. POUR TOUTE QUESTION, COMMUNIQUEZ AVEC LE SERVICE DE SOUTIEN TECHNIQUE.