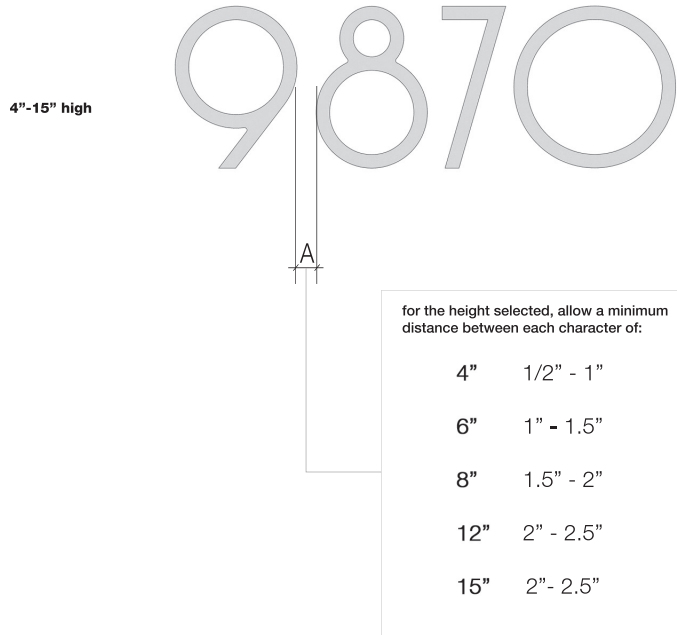


NUMBERS AND LETTERS : AVERAGE SPACING BETWEEN EACH CHARACTER

Use these estimating guidelines to help determine if your overall installation area is adequate for the size you select. For number / letter widths by font style and size, consult our Product and Technical Specifications. Spacing for your installation template is carefully determined by our team at the time of order, and will vary by font, size and character combination.

A. Horizontal Installation



B. Vertical Installation

